

index

WUPJ00100 22.10.00

page	page designation	extra field	date	drawer	X
1	cover		04. Jan. 2001	Mark N.	
2	index		24. Sep. 2001	MAD	
2a	index		24. Sep. 2001	MAD	
3	lamps & identification		04. Jan. 2001	MAD	
4	lamps & identification		21. Feb. 2001	MAD	
5	top view canopy		21. Feb. 2001	MAD	
5a	lamp housing base		21. Feb. 2001	MAD	
5b	pedestral		21. Feb. 2001	MAD	
5c	main mounting plate		21. Feb. 2001	MAD	
5d	mounting plate canopy		21. Feb. 2001	MAD	
5e	mounting plate base		21. Feb. 2001	MAD	
5f	control panels		15. Nov. 2000	MAD	
6	base circuit		21. Feb. 2001	MAD	
6a	canopy circuit		21. Feb. 2001	MAD	
6b	fan circuit		21. Feb. 2001	MAD	
6c	control circuit		21. Feb. 2001	MAD	
7	X1		21. Feb. 2001	MAD	
8	X2		21. Feb. 2001	MAD	
9	X3		21. Feb. 2001	MAD	
10	X4		21. Feb. 2001	MAD	
11	X5		21. Feb. 2001	MAD	
12	X6		21. Feb. 2001	MAD	
13	X7		21. Feb. 2001	MAD	
14	X8		21. Feb. 2001	MAD	
15	X52		21. Feb. 2001	MAD	
16	X53		21. Feb. 2001	MAD	
17	X54		21. Feb. 2001	MAD	
18	X55		21. Feb. 2001	MAD	
19	X56		21. Feb. 2001	MAD	
20	X57		21. Feb. 2001	MAD	

1

2a

0		1		2		3		4		5		6		7		8		9	
			date		Typ7019/72 R UPP			index							drawing-no. A 7000/377				UWEPL0R4
			drawn	MAD	Tutti Frutti 41 UPP USA														
	23. Jan. 2003		checked	10. Feb. 2003											ident. -no.:				page 2
modific.	date	name	norm		origin	repl. for A7000/265	repl. by								262700				33 pages

UWE GmbH
 Buchstrasse 82 · Postfach 2020
 D-73510 Schwäbisch Gmünd



terminals:

connectors: X0 ... X29
 terminal blocks: X50 ... X99
 ext. components and subassembly: X100 ... X199

component identification

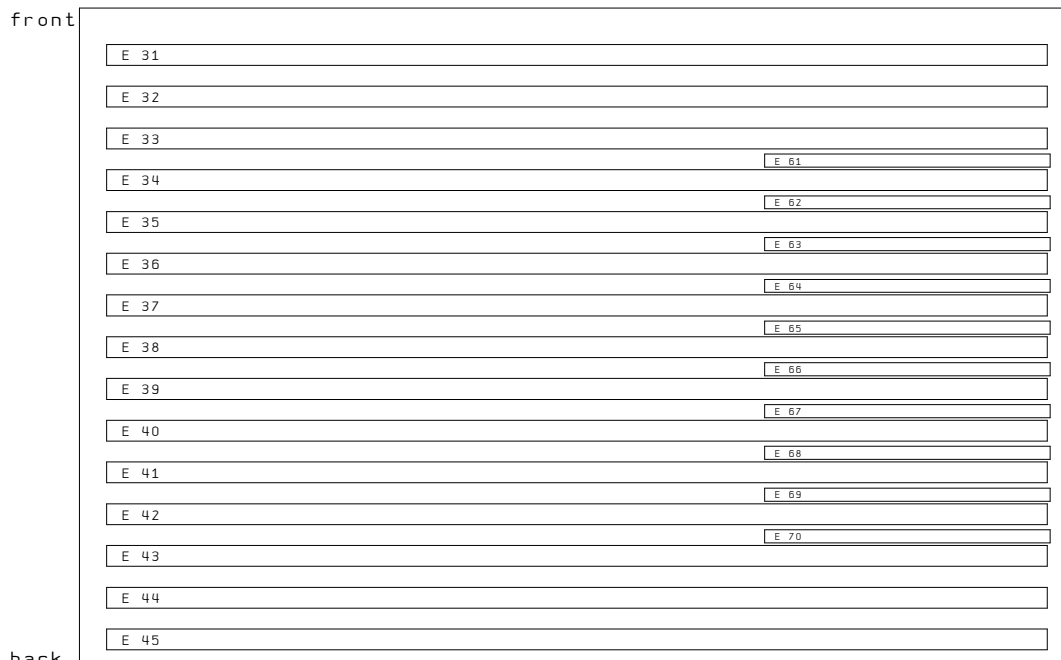
ballasts: L
 lamps: E
 control components: A
 fans/motors: R
 switch: S
 capacities: C

canopy lamps: E31-E60
 canopy lamps UPP: E61-E99
 base lamps: E1-E30

color code

color	code
white	WH
red	RD
blue	BU
green	GN
yellow	YE
grey	GY
brown	BN
orange	OG
black	BK
oliv	OL
violett	VI
green yellow	GNYE

foot lamps & identification head



canopy

base

3

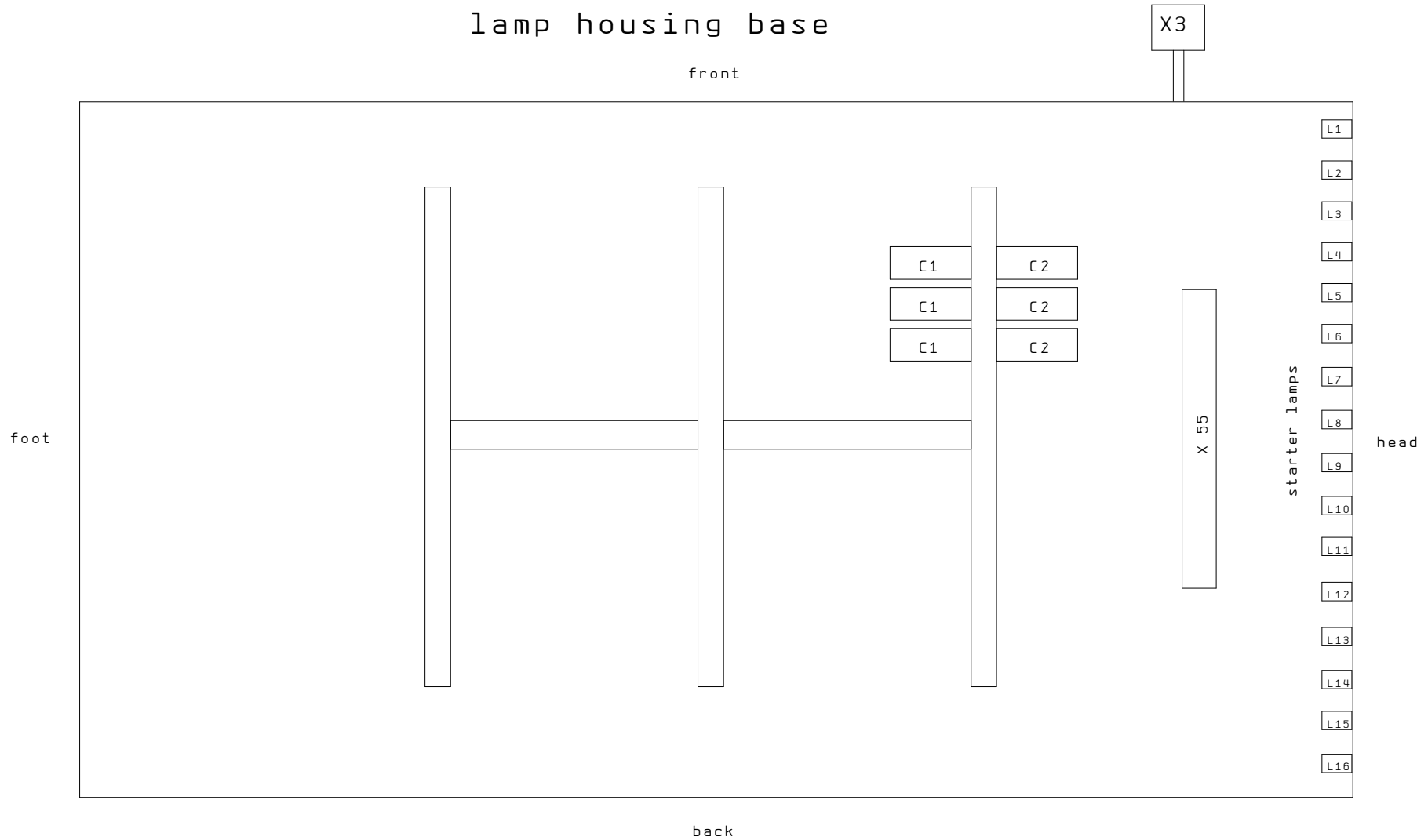
5

0	1	2	3	4	5	6	7	8	9
	date	Typ7019/72 R UPP		lamps & identification			drawing-no. A 7000/377		UWEPL0R4
	drawn MAD	Tutti Frutti 41 UPP USA							
23. Jan. 2003	checked 10. Feb. 2003						ident. -no.:		page 4
modific.	date	name	norm	origin	repl. for A7000/265	repl. by	262700		33 pages

UWE GmbH
 Buchstrasse 82 · Postfach 2020
 D-73510 Schwäbisch Gmünd



constructional features lamp housing base



5

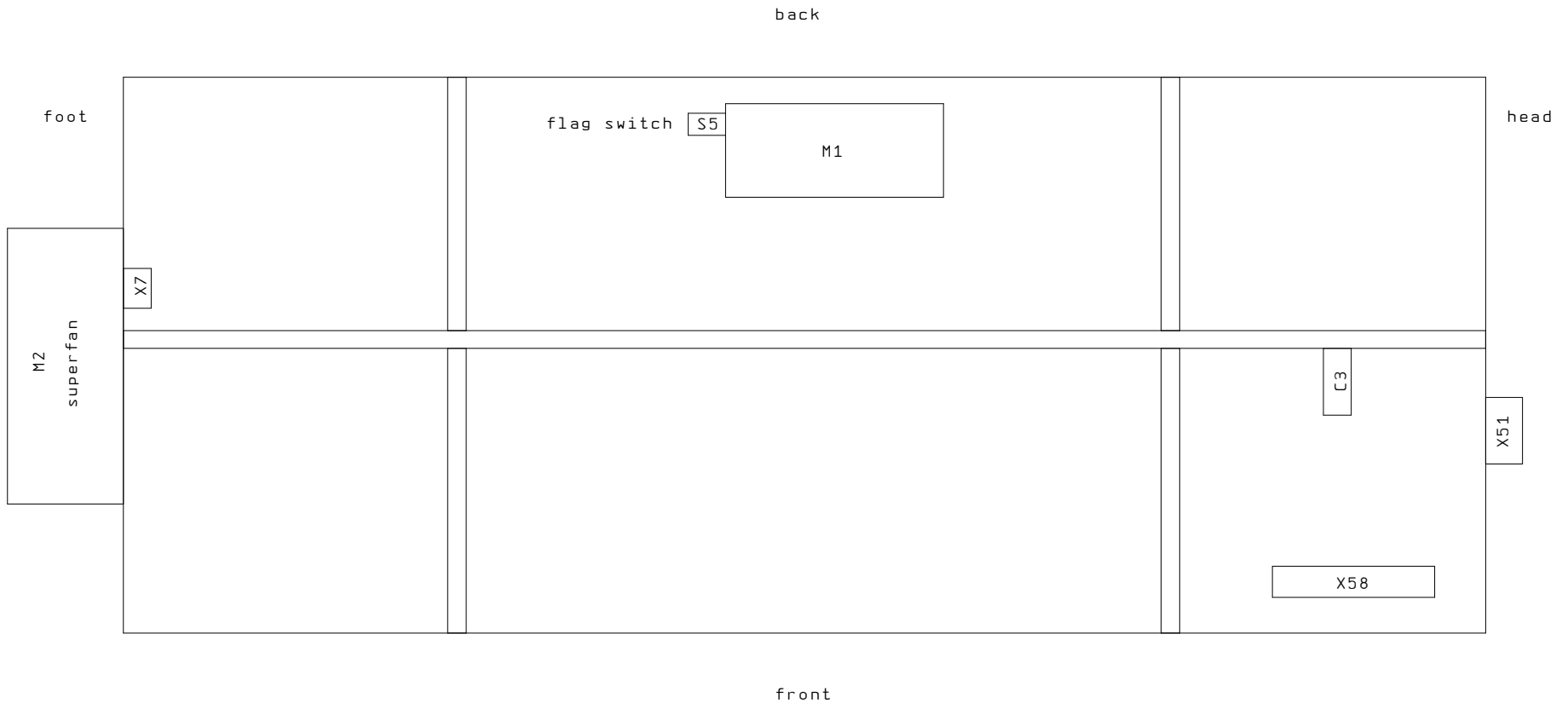
5b

0		1		2		3		4		5		6		7		8		9		
		date		Typ7019/72 R UPP		lamp housing								drawing-no. A 7000/377				UWEPL0R4		
		drawn	MAD	Tutti Frutti 41 UPP USA		base								ident. -no. :				page 5a		
	23. Jan. 2003	checked	10. Feb. 2003											262700				33 pages		
modific.	date	name	norm	origin	repl. for A7000/265	repl. by														

uwe GmbH
Buchstrasse 82 · Postfach 2020
D-73510 Schwäbisch Gmünd




constructional featres pedestal top view



5a

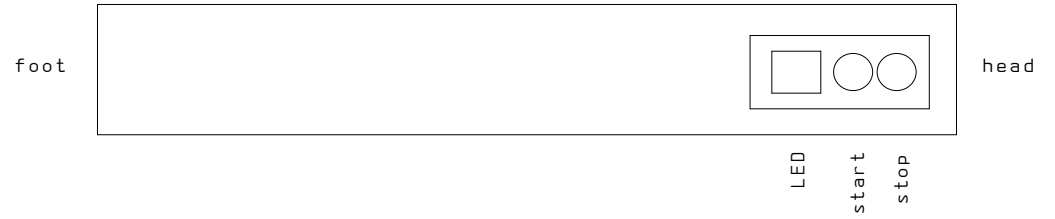
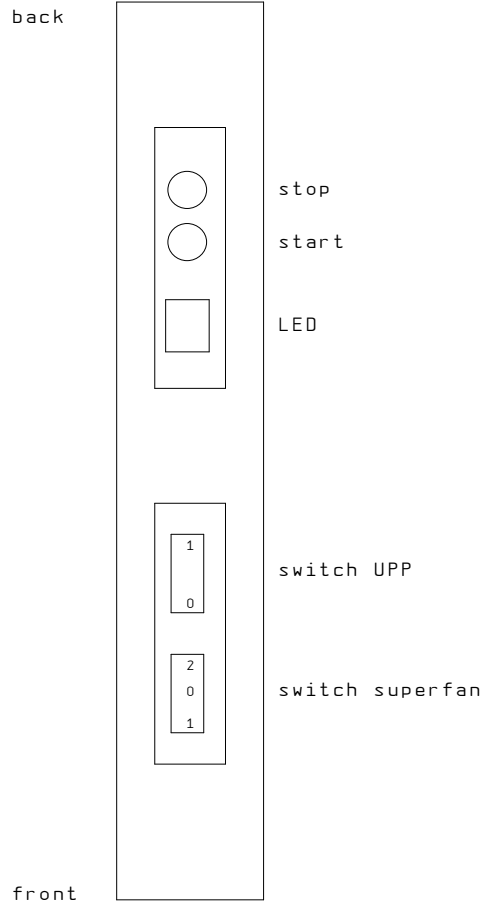
5c

0		1		2		3		4		5		6		7		8		9	
		date		Typ7019/72 R UPP		pedestal								drawing-no. A 7000/377				UWEPL0R4	
		drawn	MAD	Tutti Frutti 41 UPP USA															
	23. Jan. 2003	checked	10. Feb. 2003															page 5b	
modific.	date	name	norm	origin	repl. for A7000/265	repl. by			uwe GmbH Buchstrasse 82 · Postfach 2020 D-73510 Schwäbisch Gmünd				ident. -no. : 262700				33 pages		

control panels

headside canopy

canopy front



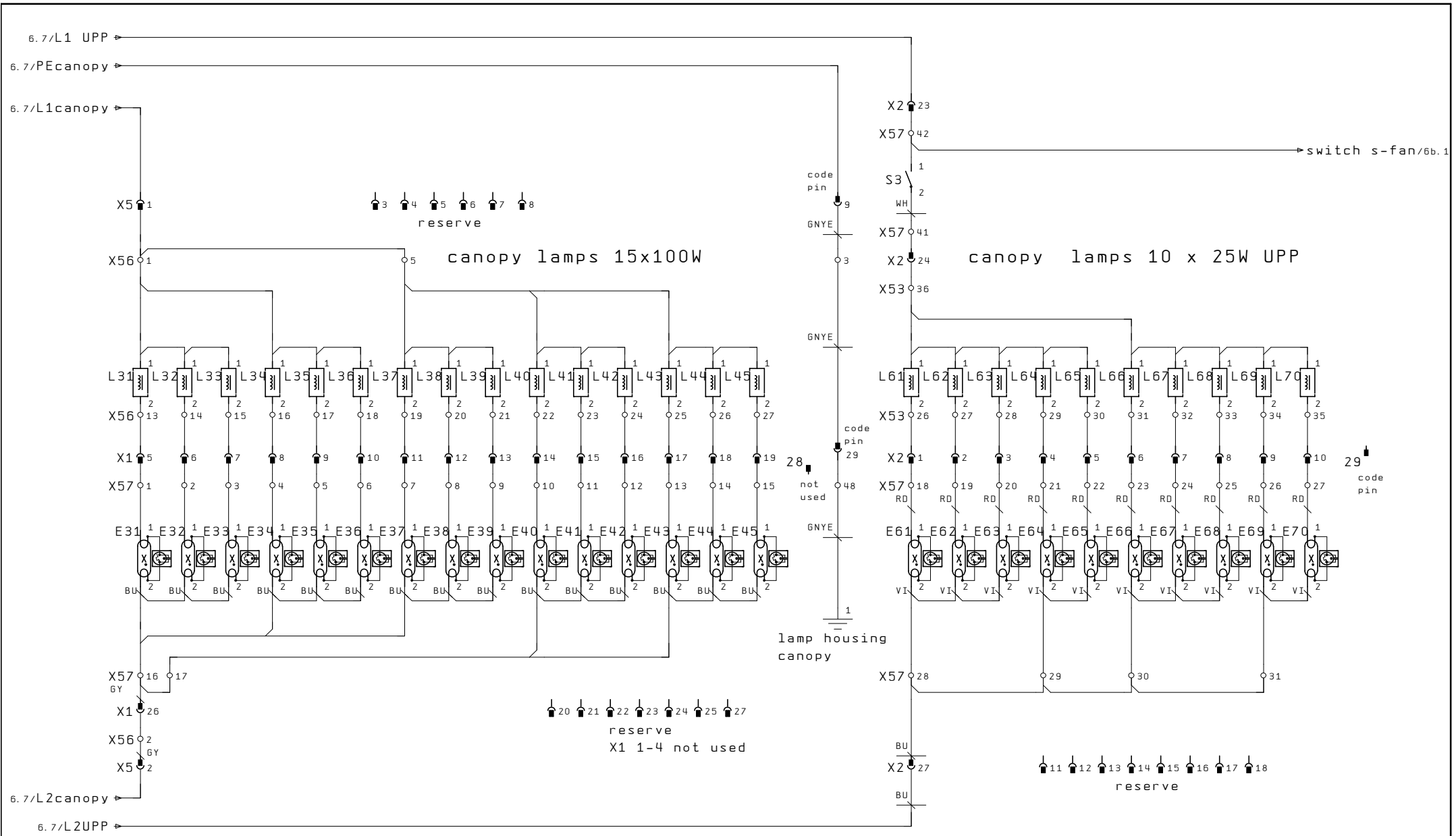
5e

6

0		1		2		3		4		5		6		7		8		9		
		date		Typ7019/72 R UPP		control						drawing-no. A 7000/377						UWEPL0R4		
		drawn	MAD	Tutti Frutti 41 UPP USA		panels						ident. -no. :						page 5f		
	23. Jan. 2003	checked	10. Feb. 2003									262700						33 pages		
modific.	date	name	norm	origin	repl. for A7000/265	repl. by														

UWE GmbH
 Buchstrasse 82 · Postfach 2020
 D-73510 Schwäbisch Gmünd

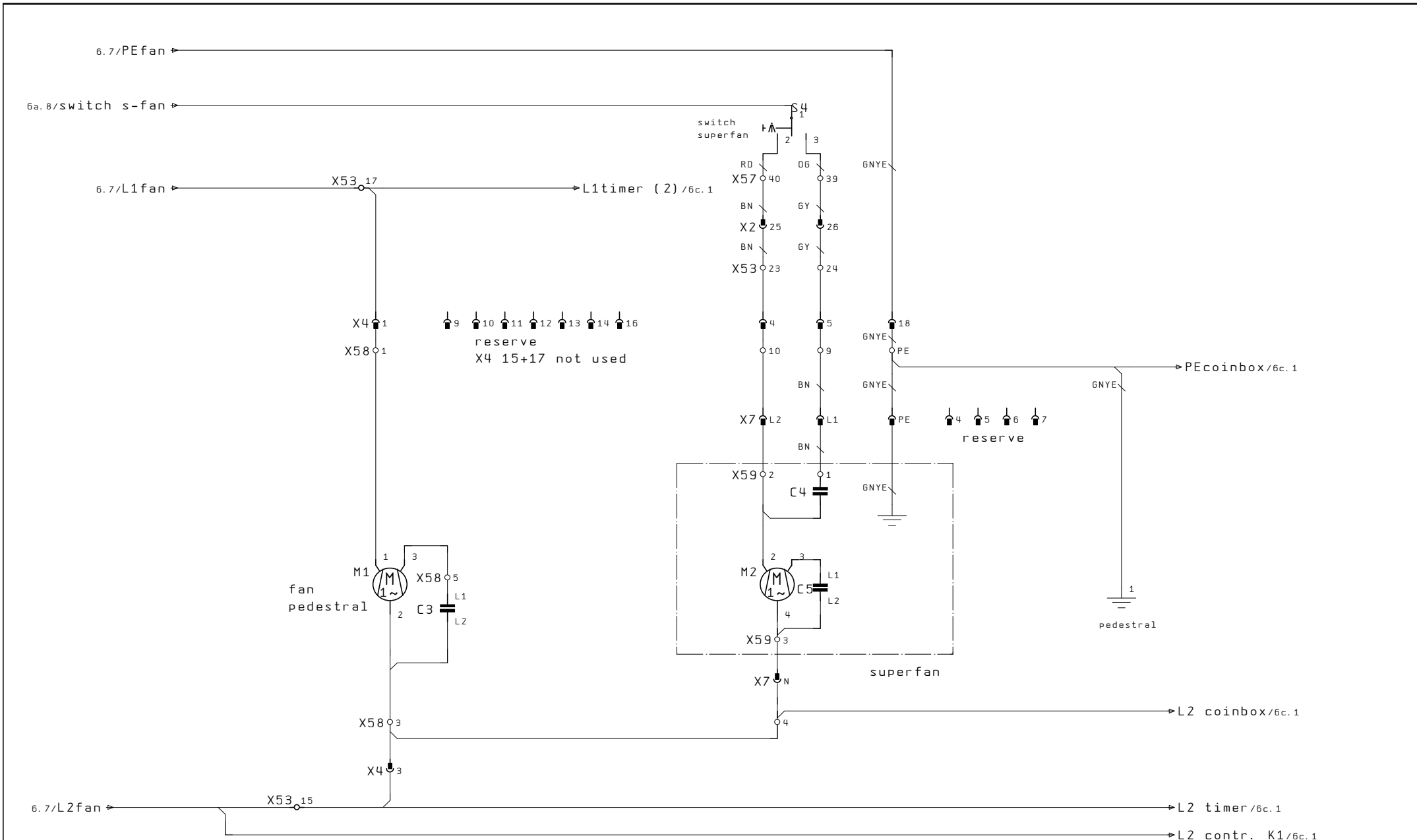




6

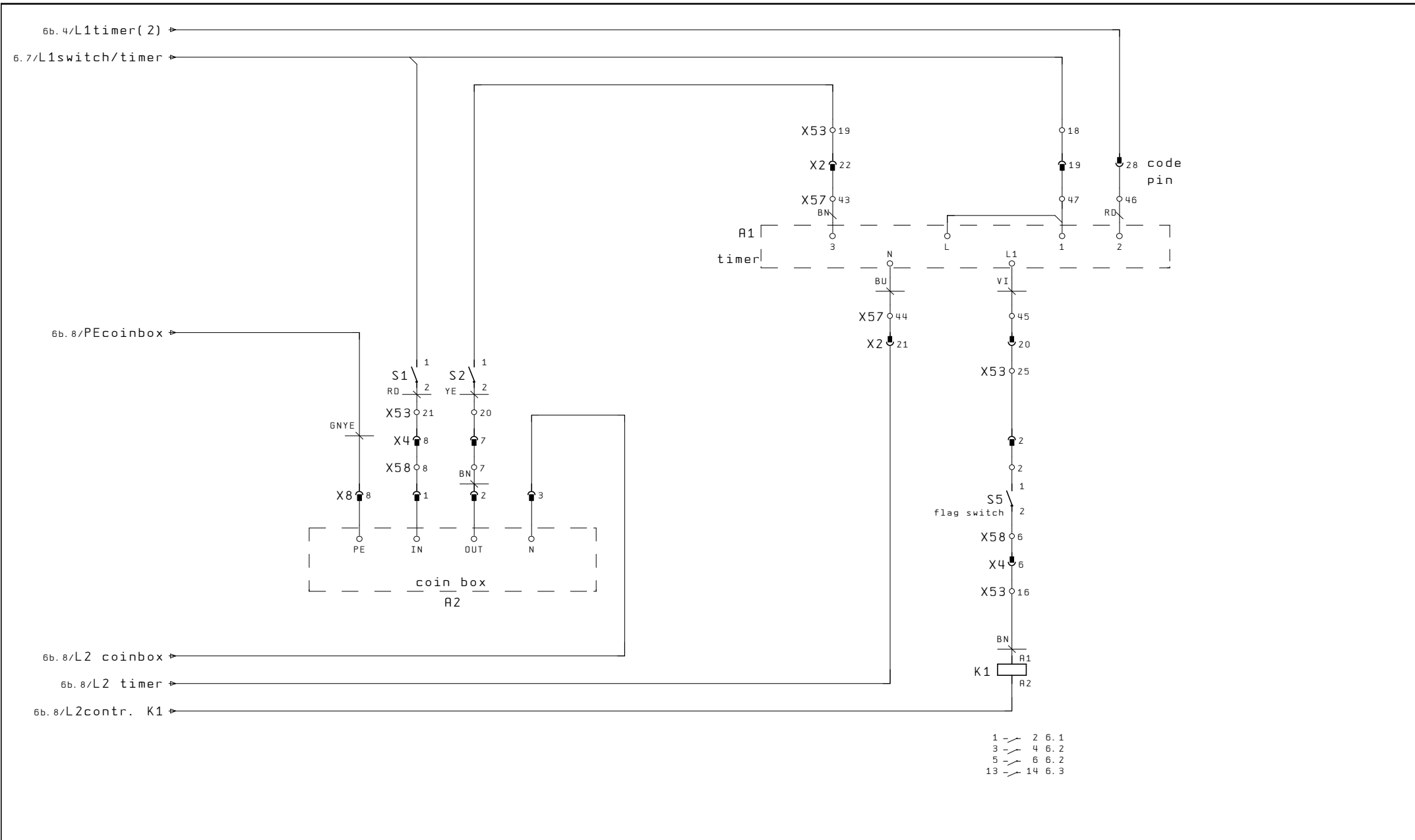
6b

0	1	2	3	4	5	6	7	8	9
	date	Typ7019/72 R UPP	canopy circuit		UWE GmbH Buchstrasse 82 · Postfach 2020 D-73510 Schwäbisch Gmünd		drawing-no. A 7000/377		UWEFLOR4
	drawn MAD	Tutti Frutti 41 UPP USA					ident. -no.:		page 6a
23. Jan. 2003	checked 10. Feb. 2003						262700		33 pages
modific.	date	name	norm	origin	repl. for A7000/265	repl. by			



6a														6c	
0	1	2	3	4	5	6	7	8	9	UWEPLOR4					
	date	Typ7019/72 R UPP			fan		drawing-no. A 7000/377								
	drawn	Tutti Frutti 41 UPP USA			circuit		ident. -no.:		page 6b						
23. Jan. 2003	checked	10. Feb. 2003					262700		33 pages						
modific.	date	name	norm	origin	repl. for A7000/265	repl. by	UWE								

UWE GmbH
 Buchstrasse 82 · Postfach 2020
 D-73510 Schwäbisch Gmünd



6b

7

0	1	2	3	4	5	6	7	8	9
	date	Typ7019/72 R UPP		control	Uwe GmbH	drawing-no. A 7000/377	UWEFLOR4		
	drawn	Tutti Frutti 41 UPP USA					Buchstrasse 82 · Postfach 2020	ident. -no. :	page 6c
23. Jan. 2003	checked	10. Feb. 2003		repl. by	D-73510 Schwäbisch Gmünd	262700			pages 33
modific.	date	name	norm				origin	repl. for A7000/265	

terminal diagram

KLEINLENG 03.01.2001

function text	cabelname	BK	cabeltype	identification terminal block							cabelname	cabeltype	BK	GY	page/path
				connection	finish designation	device connection	bridges	terminal number	connection	finish designation					
		X		X57 1				5	X56 13			X		6a.1	
		X		X57 2				6	X56 14			X		6a.1	
		X		X57 3				7	X56 15			X		6a.1	
		X		X57 4				8	X56 16			X		6a.1	
		X		X57 5				9	X56 17			X		6a.2	
		X		X57 6				10	X56 18			X		6a.2	
		X		X57 7				11	X56 19			X		6a.2	
		X		X57 8				12	X56 20			X		6a.3	
		X		X57 9				13	X56 21			X		6a.3	
		X		X57 10				14	X56 22			X		6a.3	
		X		X57 11				15	X56 23			X		6a.4	
		X		X57 12				16	X56 24			X		6a.4	
		X		X57 13				17	X56 25			X		6a.4	
		X		X57 14				18	X56 26			X		6a.4	
		X		X57 15				19	X56 27			X		6a.5	
								20						6a.3	
								21						6a.4	
								22						6a.4	
								23						6a.4	
								24						6a.4	
								25						6a.4	
		X		X56 2				26	X57 16			X		6a.1	
								27						6a.5	

6c

8

0	1	2	3	4	5	6	7	8	9
	date	22. Jan. 2003	Typ7019/72 R UPP		X1		drawing-no. A 7000/377		
	drawn	VEH	Tutti Frutti 41 UPP USA				ident. -no. :		
23. Jan. 2003	checked	10. Feb. 2003					262700		
UWEPLOR4	UWE		repl. for A7000/265		repl. by		page 7		
	UWE						33 pages		

UWE GmbH
 Buchstrasse 82 · Postfach 2020
 D-73510 Schwäbisch Gmünd



terminal diagram

KLEINLENG 03.01.2001

function text	BU GY BN BK	cabelname	cabeltype	identification terminal block										BU GY BN BK	page/path			
				finish designation	connection	bridges	device connection	finish designation	connection	terminal number	bridges	device connection	finish designation			connection		
				X57 18	X57 18	1											6a.6	
				X57 19	X57 19	2												6a.6
				X57 20	X57 20	3												6a.6
				X57 21	X57 21	4												6a.7
				X57 22	X57 22	5												6a.7
				X57 23	X57 23	6												6a.7
				X57 24	X57 24	7												6a.8
				X57 25	X57 25	8												6a.8
				X57 26	X57 26	9												6a.8
				X57 27	X57 27	10												6a.8
						11												6a.7
						12												6a.7
						13												6a.7
						14												6a.7
						15												6a.7
						16												6a.8
						17												6a.8
						18												6a.8
				X57 47	X57 47	19												6c.7
				X53 25	X53 25	20												6c.7
				X53 15	X57 44	21												6c.6
				X57 43	X53 19	22												6c.5
				X57 42	X53 9	23												6a.6
				X53 36	X57 41	24												6a.6
				X53 23	X57 40	25												6a.6
				X53 24	X57 39	26												6b.5
				X53 12	X57 28	27												6a.6
				X57 46	X53 17	28												6c.7

0	1	2	3	4	5	6	7	8	9
date	22. Jan. 2003	Typ7019/72 R UPP		X2	uwe GmbH Buchstrasse 82 · Postfach 2020 D-73510 Schwäbisch Gmünd		drawing-no. A 7000/377		UWEPLOR4
drawn	VEH	Tutti Frutti 41 UPP USA					ident. -no. :		
23. Jan. 2003	checked	10. Feb. 2003	origin	repl. for A7000/265	repl. by				33 pages
modific.	date	name	norm						

terminal diagram

KLEINLENG 03.01.2001

function text	cabelname		cabeltype		terminal number	bridges	device connection	finish designation	connection	BK	GNYE	page/path	
	BK	GNYE	connection	finish designation									
identification terminal block X4	X		X58	1	1		X53	17	X			6b.2	
	X		X58	2	2		X53	25	X			6c.7	
	X		X53	15	3		X58	3	X			6b.2	
	X		X58	10	4		X53	23	X			6b.5	
	X		X58	9	5		X53	24	X			6b.5	
	X		X53	16	6		X58	6	X			6c.7	
	X		X58	7	7		X53	20	X			6c.3	
	X		X58	8	8		X53	21	X			6c.2	
					9								6b.3
					10								6b.3
					11								6b.3
					12								6b.3
					13								6b.3
					14								6b.4
					16								6b.4
					18			X52	PEZ	X			6b.6

		6b.6	6b.6	6b.7	6b.7	6b.5	6b.5	6b.5	6b.6											
identification terminal block X7	page/path																			
	GNYE						X													
	BN							X												
	BK					X														
	cabelname	cabeltype																		
	connection						3	9												
	finish designation						X59	X58	X58	10										
	device connection																			
	bridges																			
	terminal number		4	5	6	7	N	L1	L2	PE										
connection						4	1	2												
finish designation						X58	X59	X59												
cabelname	cabeltype																			
BK						X														
BN							X													
GNYE									X											
function text																				

0		1		2		3		4		5		6		7		8		9	
		date	22. Jan. 2003	Typ7019/72 R UPP		X7								drawing-no. A 7000/377				UWEPL0R4	
		drawn	VEH	Tutti Frutti 41 UPP USA															
	23. Jan. 2003	checked	10. Feb. 2003																
modific.	date	name	norm	origin	repl. for A7000/265	repl. by													page 13
																			pages 33

uwe GmbH
 Buchstrasse 82 · Postfach 2020
 D-73510 Schwäbisch Gmünd



drawing-no. A 7000/377
 ident. -no.: 262700
 page 13
 pages 33

function text	cabelname			identification terminal block X53							cabelname			page/path					
	BK	BU	BN	finish designation	connection	terminal number	bridges	device connection	finish designation	connection	cabeltype	GY	BN		RD	YE	BU	BK	
	X			X6 2	2	1	●—●		K1	2	X							6.1	
						2													6.1
		X		X6 1	1	3	●—●		F6										6.1
						4													6.1
			X	X5 1	1	5	●—●		K1	4									6.2
			X	X6 4	4	6	●—●												6.2
		X		X5 2	2	7	●—●		F5										6.0
			X	X6 3	3	8	●—●												6.1
			X	X2 23	23	9	●—●		K1	6									6.2
			X	E16 1	1	10	●—●												6.2
			X	E16 2	2	11	●—●		F4										6.6
			X	X2 27	27	12	●—●												6.6
			X	X2 21	21	15			F4 _2										6b.2
			X	X4 3	3	16			X4	6									6c.7
			X	K1	A1	16													6b.2
			X	X2 28	28	17			K1	14									6c.7
			X	X4 1	1	18			K1	13									6c.7
			X	X2 19	19	19			S2	1									6c.5
			X	X2 22	22	20			S2	2									6c.3
			X	X4 7	7	21			S1	2									6c.2
			X	X4 8	8	23			X2	25									6b.5
			X	X4 4	4	24			X2	26									6b.5
			X	X4 5	5	25			X2	20									6c.7
			X	X4 2	2	26			L61	2									6a.6
			X	X2 1	1	27			L62	2									6a.6
			X	X2 2	2	28			L63	2									6a.6
			X	X2 4	4	29			L64	2									6a.7
			X	X2 5	5	30			L65	2									6a.7
			X	X2 6	6	31			L66	2									6a.7
			X	X2 7	7	32			L67	2									6a.8
			X	X2 8	8	33			L68	2									6a.8
			X	X2 9	9	34			L69	2									6a.8
			X	X2 10	10	35			L70	2									6a.8
			X	L61	1	36			X2	24									6a.6
			X	L66	1														

0		1		2		3		4		5		6		7		8		9		
		date	22. Jan. 2003	Typ7019/72 R UPP		X53								drawing-no. A 7000/377				UWEPLOR4		
		drawn	VEH	Tutti Frutti 41 UPP USA																
	23. Jan. 2003	checked	10. Feb. 2003																	
modific.	date	name	norm	origin	repl. for A7000/265	repl. by									ident. -no. : 262700		page 16		33 pages	

terminal diagram

KLEINLENG 03.01.2001

function text	cabelname			identification terminal block X54							cabelname			page/path
	BK	WH	GNYE	finish designation	connection	terminal number	bridges	device connection	finish designation	connection	cabeltype	BK	WH	
	X			X3 27	1			X6 1			X			6.1
	X			X3 25	2			X6 2			X			6.1
	X			X3 26	3			L4 1			X			6.1
	X			X3 21	4			X6 3						6.7
	X			L13 1	5									6.3
	X			L7 1	6									6.7
	X			X3 22				X6 4			X			6.2
	X			X3 5	13			L1 2			X			6.2
	X			X3 6	14			L2 2			X			6.2
	X			X3 7	15			L3 2			X			6.2
	X			X3 8	16			L4 2			X			6.3
	X			X3 9	17			L5 2			X			6.3
	X			X3 10	18			L6 2			X			6.3
	X			X3 11	19			L7 2			X			6.3
	X			X3 12	20			L8 2			X			6.4
	X			X3 13	21			L9 2			X			6.4
	X			X3 14	22			L10 2			X			6.4
	X			X3 15	23			L11 2			X			6.5
	X			X3 16	24			L12 2			X			6.5
	X			X3 17	25			L13 2			X			6.5
	X			X3 18	26			L14 2			X			6.6
	X			X3 19	27			L15 2			X			6.6
	X			X3 20	28			L16 2			X			6.6
	X			X3 29	PE			X6 9					X	6.9

16

18

0	1	2	3	4	5	6	7	8	9
	date	22. Jan. 2003	Typ7019/72 R UPP		X54		drawing-no. A 7000/377		
	drawn	VEH	Tutti Frutti 41 UPP USA				UWEPLOR4		
23. Jan. 2003	checked	10. Feb. 2003					ident. -no. :		
modific.	date	name	norm	origin	repl. for A7000/265	repl. by	Uwe GmbH Buchstrasse 82 · Postfach 2020 D-73510 Schwäbisch Gmünd		page 17
							UWE		pages 33

function text	cabelname						identification terminal block						cabelname		page/path
	BK	RD	BU	VI	GNYE		finish designation	connection	bridges	device connection	finish designation	connection	cabeltype	GNYE	
	X						E1	1			X3	5	X		6.2
		X					E2	2			X3	6	X		6.2
			X				E3	3			X3	7	X		6.2
				X			E4	4			X3	8	X		6.3
					X		E5	5			X3	9	X		6.3
						X	E6	6			X3	10	X		6.3
						X	E7	7			X3	11	X		6.3
						X	E8	8			X3	12	X		6.4
						X	E9	9			X3	13	X		6.4
						X	E10	10			X3	14	X		6.4
						X	E11	11			X3	15	X		6.5
						X	E12	12			X3	16	X		6.5
						X	E13	13			X3	17	X		6.5
						X	E14	14			X3	18	X		6.6
						X	E15	15			X3	19	X		6.6
						X	E16	16			X3	20	X		6.6
						X	C2	19			X3	25	X		6.1
							E4	20	●—●						6.1
							E13	21			X3	27	X		6.1
							E7	22			X3	26	X		6.1
							C1	22			X3	21	X		6.7
							C1	24	●—●		X3	22	X		6.7
								PE			X3	29	X		6.9

0		1		2		3		4		5		6		7		8		9			
date	22. Jan. 2003	date		22. Jan. 2003		date		22. Jan. 2003		date		22. Jan. 2003		date		22. Jan. 2003		date		22. Jan. 2003	
drawn	VEH	drawn		VEH		drawn		VEH		drawn		VEH		drawn		VEH		drawn		VEH	
checked	10. Feb. 2003	checked		10. Feb. 2003		checked		10. Feb. 2003		checked		10. Feb. 2003		checked		10. Feb. 2003		checked		10. Feb. 2003	
name		name				name				name				name				name			
norm		norm				norm				norm				norm				norm			
origin	Typ7019/72 R UPP Tutti Frutti 41 UPP USA	origin		Typ7019/72 R UPP Tutti Frutti 41 UPP USA		origin		Typ7019/72 R UPP Tutti Frutti 41 UPP USA		origin		Typ7019/72 R UPP Tutti Frutti 41 UPP USA		origin		Typ7019/72 R UPP Tutti Frutti 41 UPP USA		origin		Typ7019/72 R UPP Tutti Frutti 41 UPP USA	
repl. for	A7000/265	repl. for		A7000/265		repl. for		A7000/265		repl. for		A7000/265		repl. for		A7000/265		repl. for		A7000/265	
repl. by	X55	repl. by		X55		repl. by		X55		repl. by		X55		repl. by		X55		repl. by		X55	
UWE		UWE				UWE				UWE				UWE				UWE			
drawing-no.	A 7000/377	drawing-no.		A 7000/377		drawing-no.		A 7000/377		drawing-no.		A 7000/377		drawing-no.		A 7000/377		drawing-no.		A 7000/377	
ident. -no.:	262700	ident. -no.:		262700		ident. -no.:		262700		ident. -no.:		262700		ident. -no.:		262700		ident. -no.:		262700	
page	18	page		18		page		18		page		18		page		18		page		18	
pages	33	pages		33		pages		33		pages		33		pages		33		pages		33	



UWE GmbH
Buchstrasse 82 · Postfach 2020
D-73510 Schwäbisch Gmünd

drawing-no. A 7000/377

ident. -no. :
262700

page 18
pages 33

