

Uwe GmbH
 Buchstrasse 82 · Postfach 2020
 D-73510 Schwäbisch Gmünd



drawing-no.	:	A7000/467
device type/ designation	:	Typ 7019/100 HD Cayenne
commission	:	USA
path	:	3
creation date	:	08. Okt. 2003
drawn by	:	NOS
modification date	:	08. Sep. 2004
modified by	:	NOS
feeding in	:	3/2~60Hz 220V 50/80A
number of pages	:	60

technical modifications reserved

All rights reserved

0		1		2		3		4		5		6		7		8		9	
		date	18. Sep. 2002	Typ 7019/100 HD				cover page						drawing-no. A7000/467					
		drawn	NOS	Cayenne															
	08. Sep. 2004	checked	18. Okt. 2004	USA															
modific.	date	name	norm	origin	repl. for	266596	repl. by			Uwe GmbH Buchstrasse 82 · Postfach 2020 D-73510 Schwäbisch Gmünd				ident. -no. : 267225				page 1 60 pages	

index

WUPJ00100 22.10.00

page	page designation	extra field	date	drawer	X
6m	control circuit		07. Jan. 2004	MAD	
6n	control circuit		07. Jan. 2004	NOS	
6p	audio		07. Jan. 2004	NOS	
7	X1		15. Dez. 2003	NOS	
8	X2		15. Dez. 2003	NOS	
9	X3		15. Dez. 2003	NOS	
10	X4		15. Dez. 2003	NOS	
11	X5		15. Dez. 2003	NOS	
12	X6		15. Dez. 2003	NOS	
13	X7		15. Dez. 2003	NOS	
14	X8		15. Dez. 2003	NOS	
15	X9		15. Dez. 2003	NOS	
16	X10		15. Dez. 2003	NOS	
17	X12		15. Dez. 2003	NOS	
18	MP3+MP4		15. Dez. 2003	NOS	
19	X14		15. Dez. 2003	NOS	
20	X15		15. Dez. 2003	NOS	
21	X16		15. Dez. 2003	NOS	
22	X17		15. Dez. 2003	NOS	
23	X18		15. Dez. 2003	NOS	
24	X19		15. Dez. 2003	NOS	
25	X20		15. Dez. 2003	NOS	
26	X21		15. Dez. 2003	NOS	
27	X50		15. Dez. 2003	NOS	
28	X51		15. Dez. 2003	NOS	
29	X52		15. Dez. 2003	NOS	
30	X52		15. Dez. 2003	NOS	
31	X53		15. Dez. 2003	NOS	
32	X54		15. Dez. 2003	NOS	
33	X55		15. Dez. 2003	NOS	

2

2b

0		1		2		3		4		5		6		7		8		9	
		date		Typ 7019/100 HD		index								drawing-no. A7000/467				UWEFLORS	
		drawn	NOS	Cayenne															
	08. Sep. 2004	checked	18. Okt. 2004	USA															
modific.	date	name	norm	origin	repl. for	266596	repl. by							ident. -no.:				page 2a	
														267225				60 pages	

UWE GmbH
 Buchstrasse 82 · Postfach 2020
 D-73510 Schwäbisch Gmünd



terminals:

connectors: X0 ... X29

terminal blocks: X50 ... X99

ext. components and subassembly: X100 ... X199

component identification

ballasts: L

ignition components: Z

lamps: E

control components: A

fans/motors: M

circuit-breaker: Q

control switch: S

timer: P

LP base lamps: E1-E20

HP and LP lamps canopy: E21-99

floorlight: E100

background light illumination: E101-E120

color code

color	code
white	WH
red	RD
blue	BU
green	GN
yellow	YE
grey	GY
brown	BN
orange	OG
black	BK
turquoise	TQ
ivory	IV
beige	BE
oliv	OL
violett	VI
green yellow	GNYE

lamps and identification

foot

front

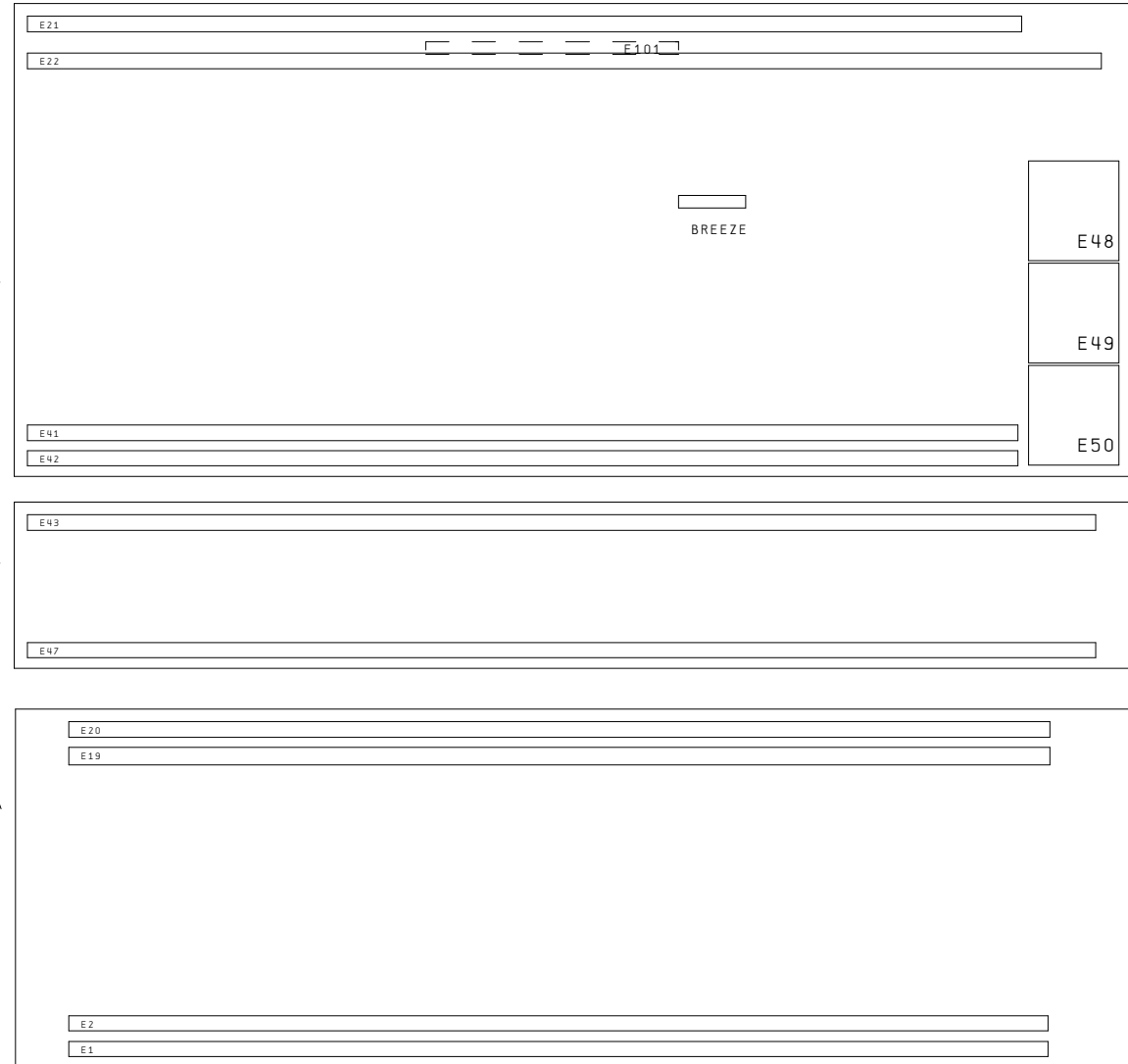
head

canopy

canopy

side
tanner

base



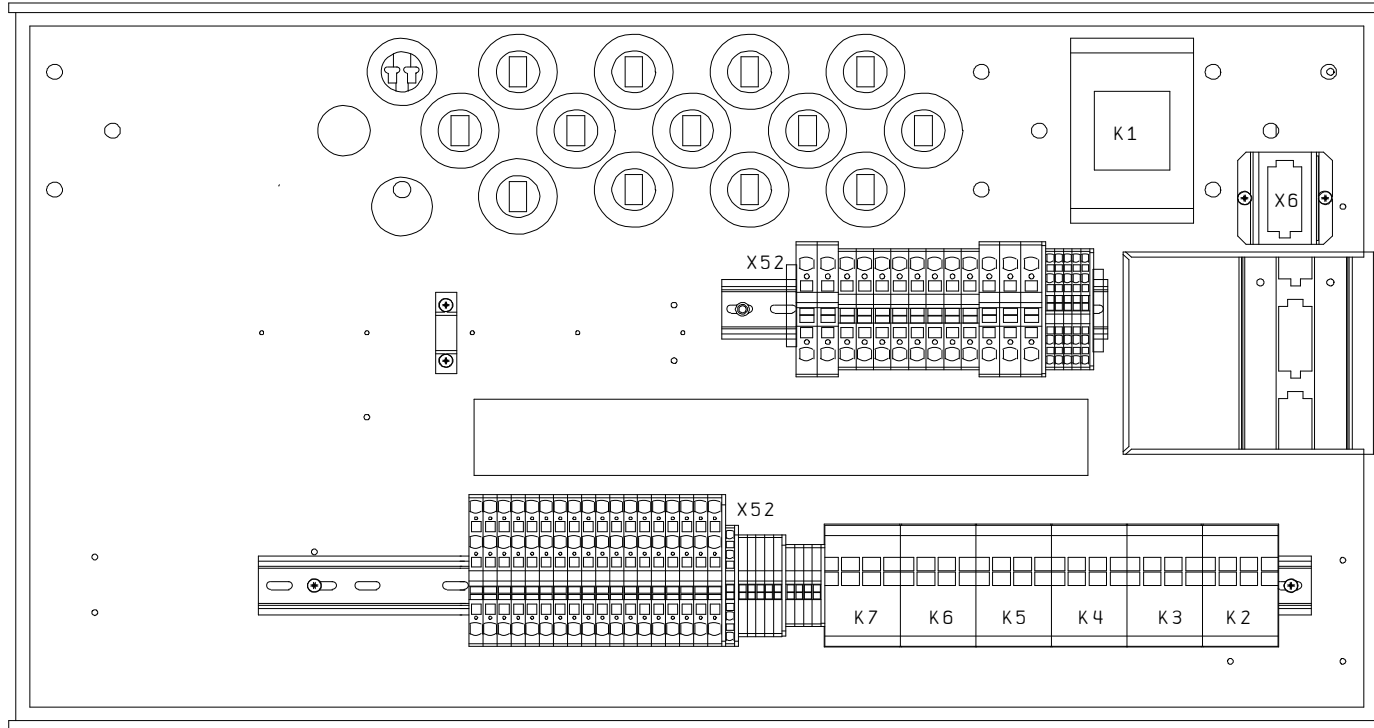
front

5

3


0		1		2		3		4		5		6		7		8		9		
			date		Typ 7019/100 HD															
			drawn	NOS	Cayenne			lamps,												
	08. Sep. 2004		checked	18. Okt. 2004	USA			identification												
modific.	date	name	norm		origin	repl. for	266596	repl. by												
													drawing-no. A7000/467		ident. -no. : 267225		page 4		60 pages	
													UWE GmbH Buchstrasse 82 · Postfach 2020 D-73510 Schwäbisch Gmünd		UWE					

mounting plate no. 1; control panel

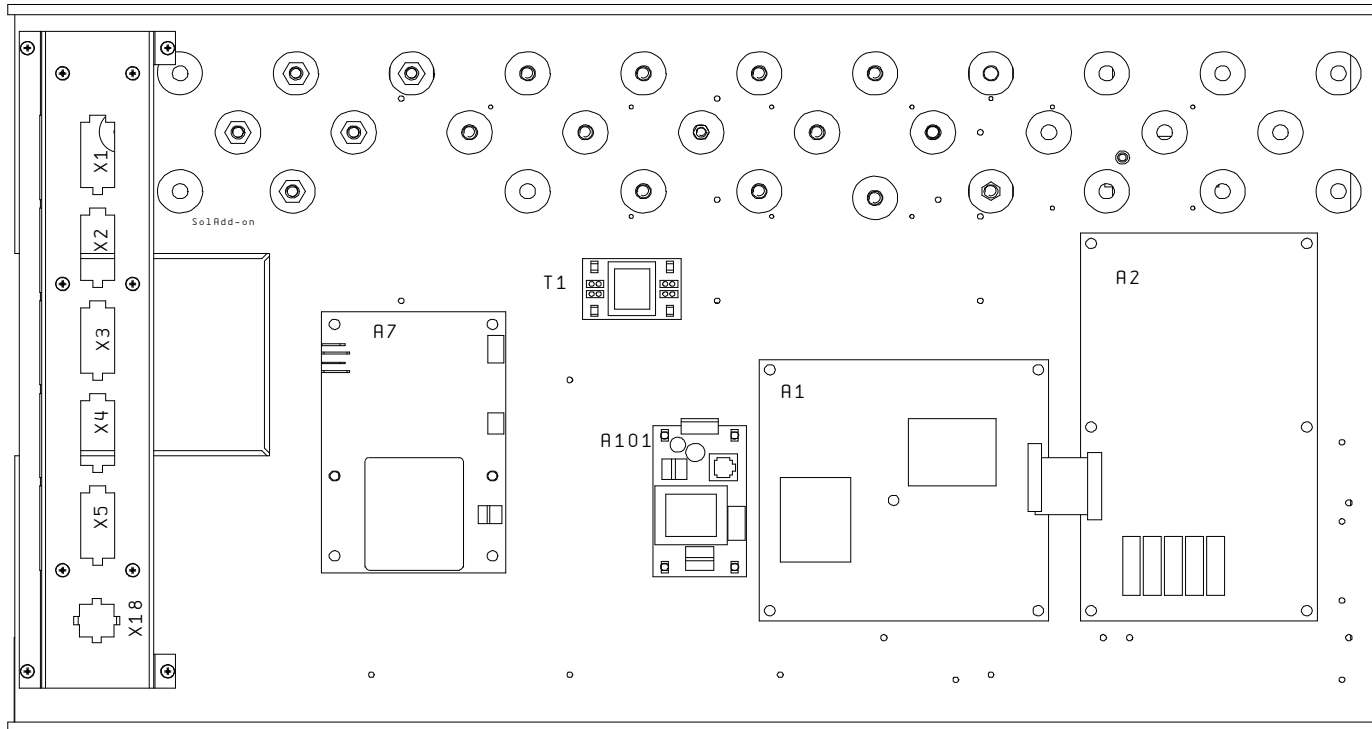


4

5a

0		1		2		3		4		5		6		7		8		9	
		date		Typ 7019/100 HD				mounting plate no1;						drawing-no. A7000/467				UWEFLORS	
		drawn	NOS	Cayenne				control						ident. -no. :				page 5	
	08. Sep. 2004	checked	18. Okt. 2004	USA										267225				60 pages	
modific.	date	name	norm	origin	repl. for	266596	repl. by			uwe GmbH Buchstrasse 82 · Postfach 2020 D-73510 Schwäbisch Gmünd									

mounting plate no. 1; control panel (back)

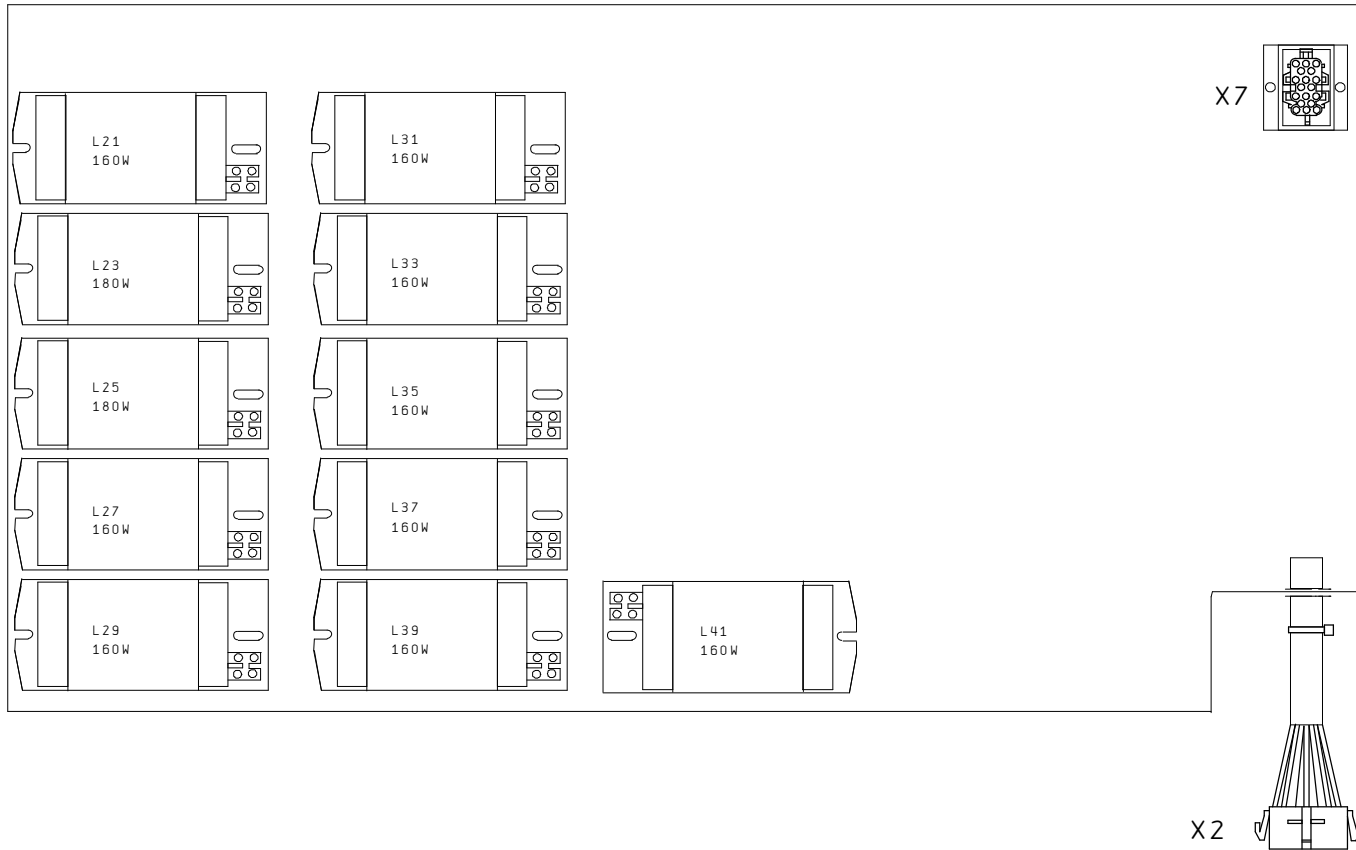


5

5b

0		1		2		3		4		5		6		7		8		9	
		date		Typ 7019/100 HD				mounting plate no. 1						drawing-no. A7000/467				UWEFLORS	
		drawn	NOS	Cayenne				control panel											
	08. Sep. 2004	checked	18. Okt. 2004	USA										ident. -no. :				page 5a	
modific.	date	name	norm	origin		repl. for 266596		repl. by		UWE GmbH Buchstrasse 82 · Postfach 2020 D-73510 Schwäbisch Gmünd		UWE		267225				60 pages	

mounting plate no. 2



5a

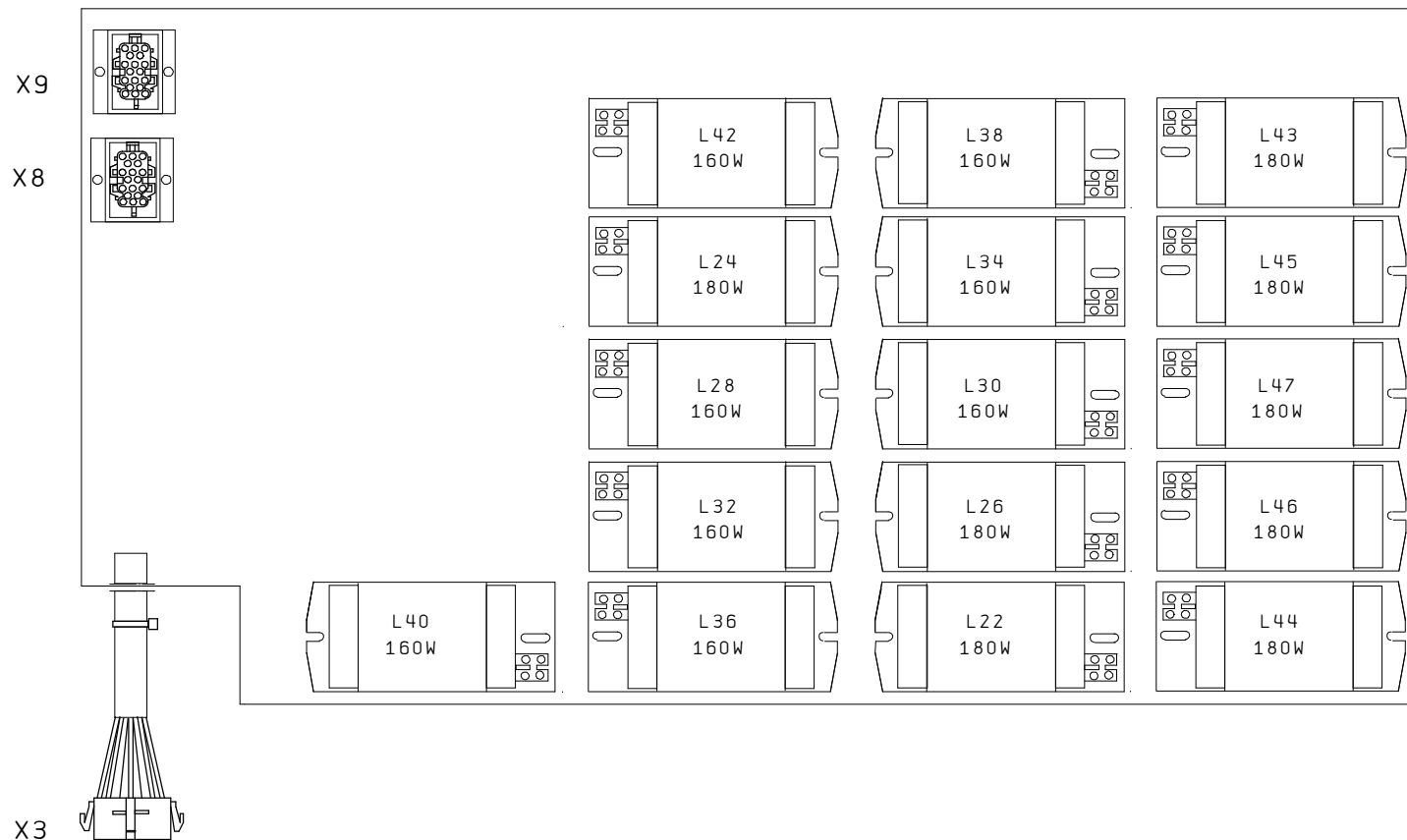
5c

0		1		2		3		4		5		6		7		8		9	
		date		Typ 7019/100 HD				mounting plate						drawing-no. A7000/467				UWEFLORS	
		drawn	NOS	Cayenne				no. 2						ident. -no. :				page 5b	
	08. Sep. 2004	checked	18. Okt. 2004	USA										267225				60 pages	
modific.	date	name	norm	origin	repl. for	266596	repl. by												

UWE GmbH
 Buchstrasse 82 · Postfach 2020
 D-73510 Schwäbisch Gmünd




mounting plate no. 3

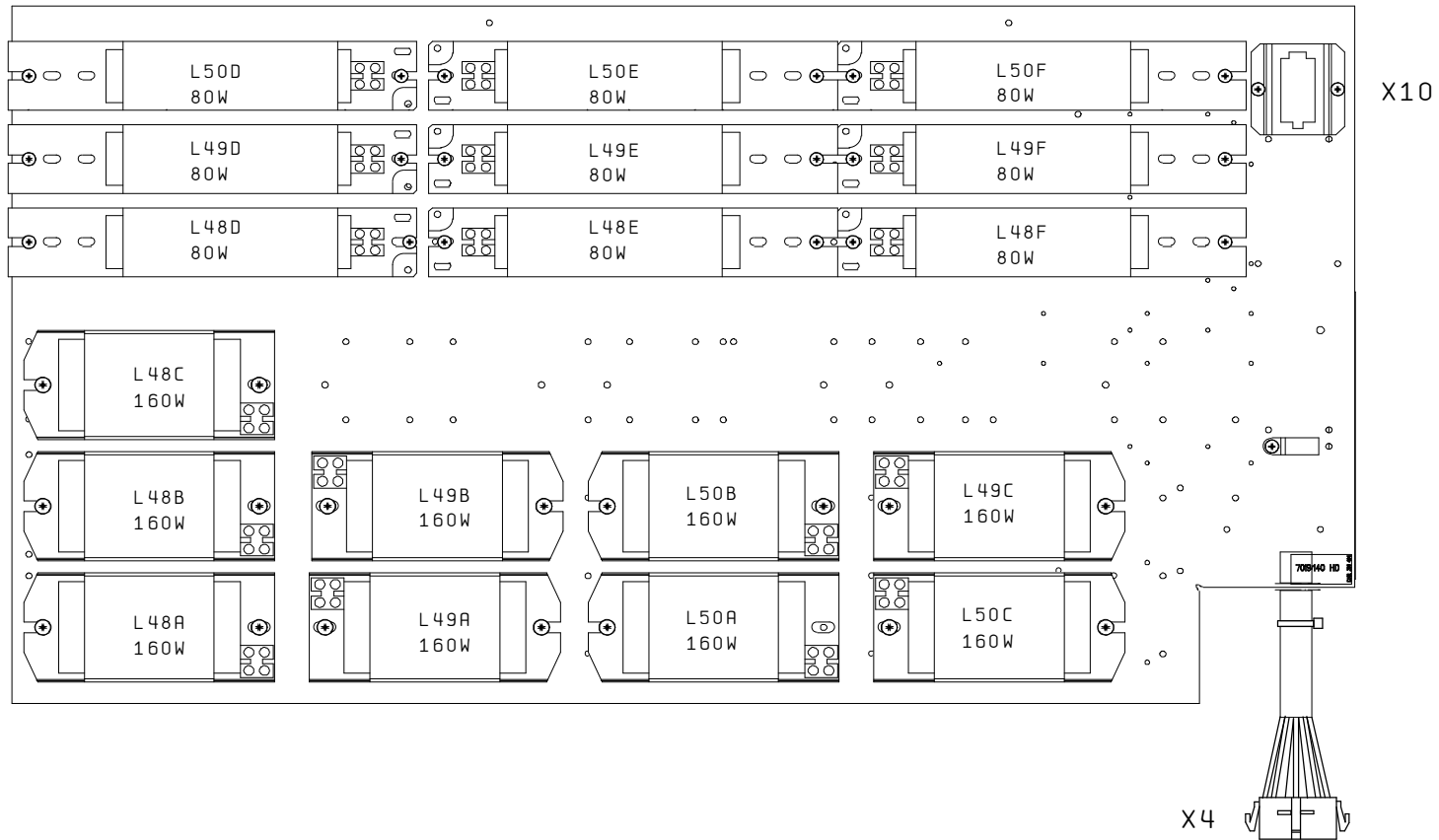


5b

5d

0		1		2		3		4		5		6		7		8		9	
		date		Typ 7019/100 HD				mounting plate						drawing-no. A7000/467				UWEPLORS	
		drawn	NOS	Cayenne				no. 3						ident. -no. :				page 5c	
	08. Sep. 2004	checked	18. Okt. 2004	USA										267225				60 pages	
modific.	date	name	norm	origin	repl. for	266596	repl. by			uwe GmbH Buchstrasse 82 · Postfach 2020 D-73510 Schwäbisch Gmünd									

mounting plate no. 4

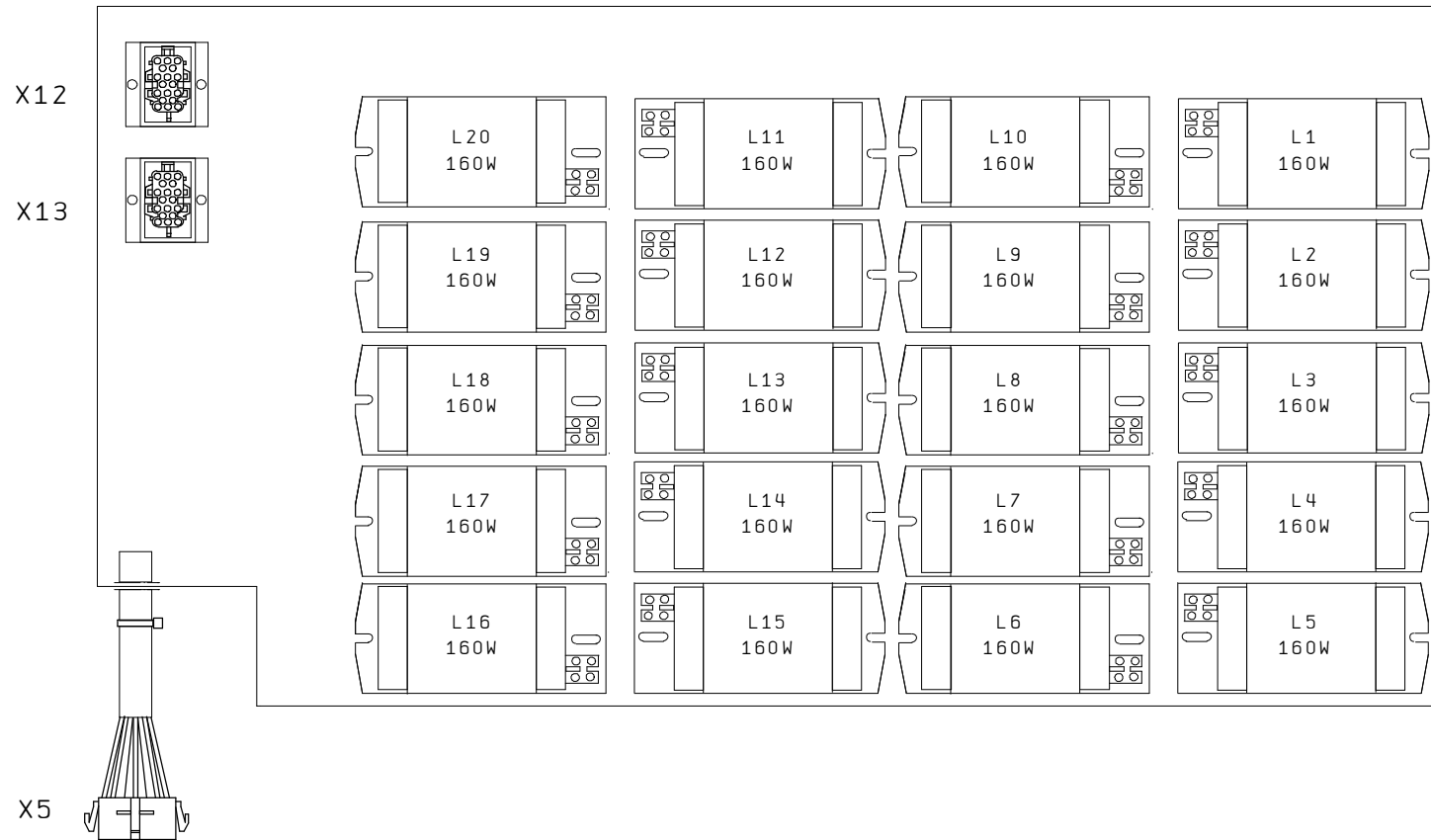


5c

5e

0	1	2	3	4	5	6	7	8	9
	date	Typ 7019/100 HD		mounting plate			drawing-no. A7000/467		UWEFLORS
	drawn	Cayenne		no. 4			ident. - no. :		page 5d
	08. Sep. 2004	USA		D-73510 Schwäbisch Gmünd			267225		60 pages
modific.	date	name	norm	origin	repl. for 266596	repl. by			

mounting plate no. 5



5d

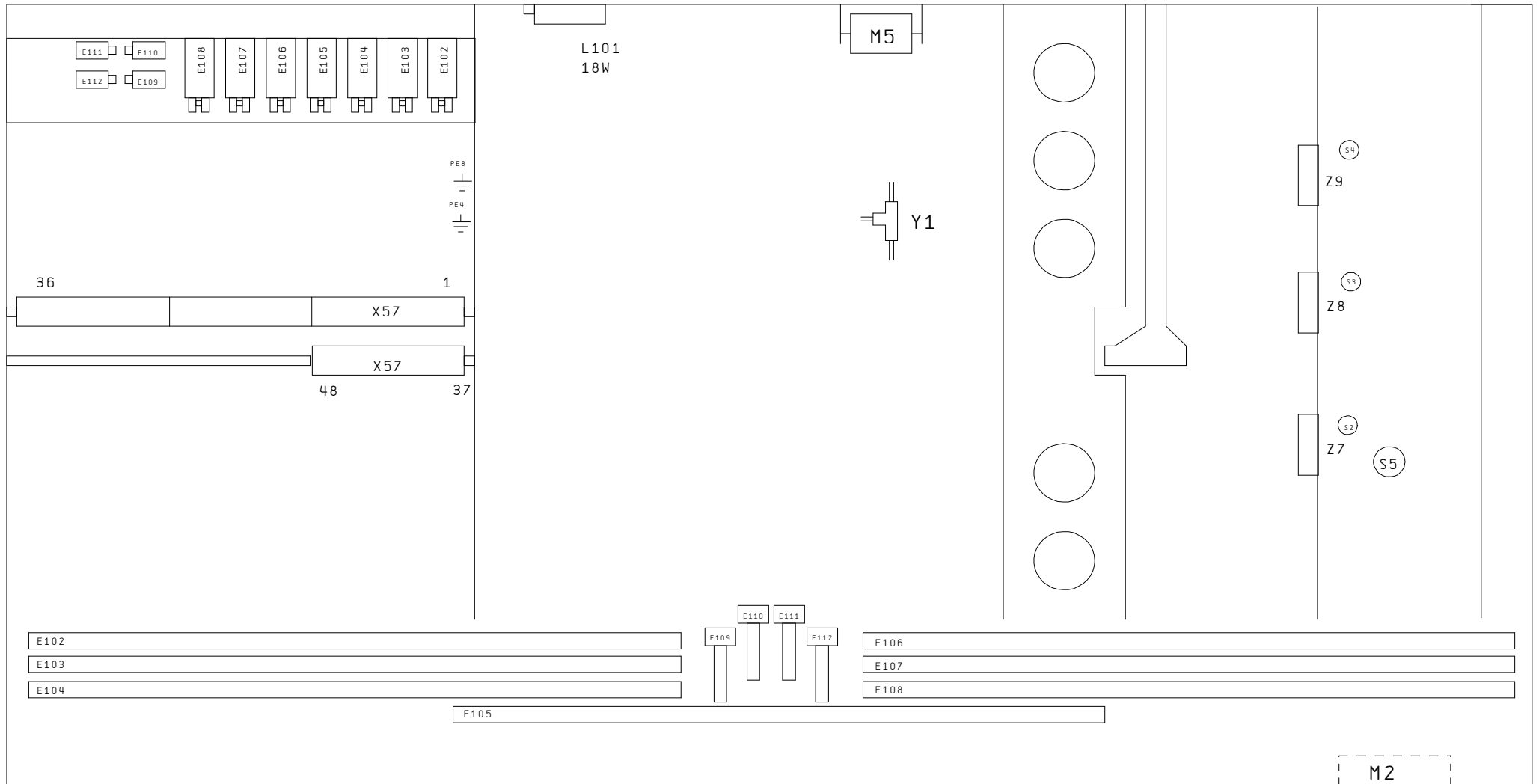
5f

0	1	2	3	4	5	6	7	8	9
	date	Typ 7019/100 HD		mounting plate			drawing-no. A7000/467		UWEFLORS
	drawn	Cayenne		no. 5; base					
	checked	USA					ident. -no. :		page 5e
08. Sep. 2004	18. Okt. 2004						267225		60 pages
modific.	date	name	norm	origin	repl. for 266596	repl. by			

UWE GmbH
 Buchstrasse 82 · Postfach 2020
 D-73510 Schwäbisch Gmünd



canopy



5e

5g

0	1	2	3	4	5	6	7	8	9
	Datum	Typ 7019/100 HD		canopy			Z.-Nr. : A7000/467		UWEPL02
	Bearb.	Cayenne							
	Gepr.	USA							
08. Sep. 2004	18. Okt. 2004								
Änderung	Datum	Name	Norm	Urspr.	Ers. f.	266596	Ers. d.		B1. 5 f
									60 Bl.

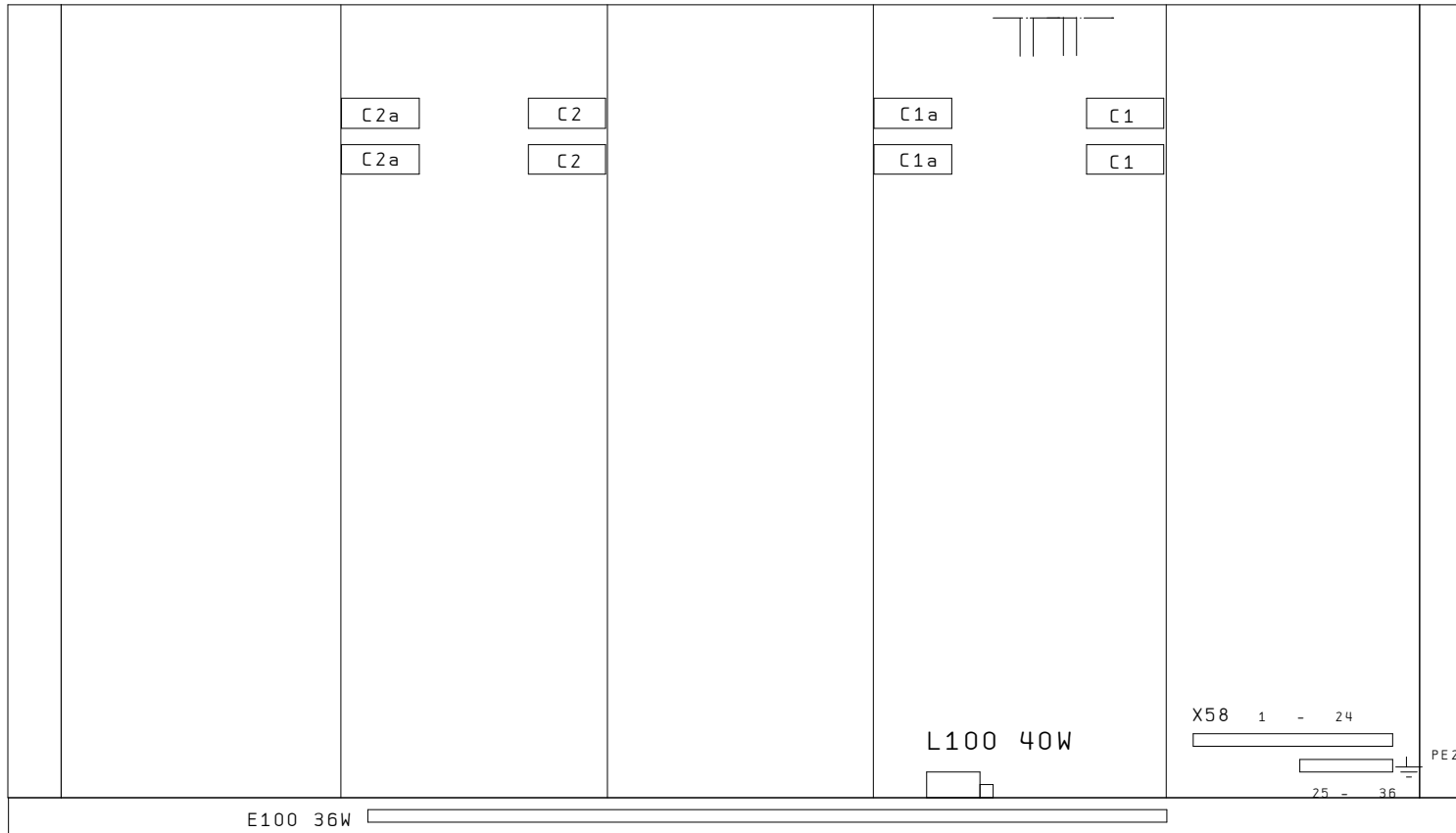
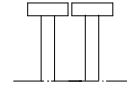
uwe GmbH
 Buchstrasse 82 · Postfach 2020
 D-73510 Schwäbisch Gmünd



Mat.-Nr.:
 267225

bottom view base

X12 X13



5f

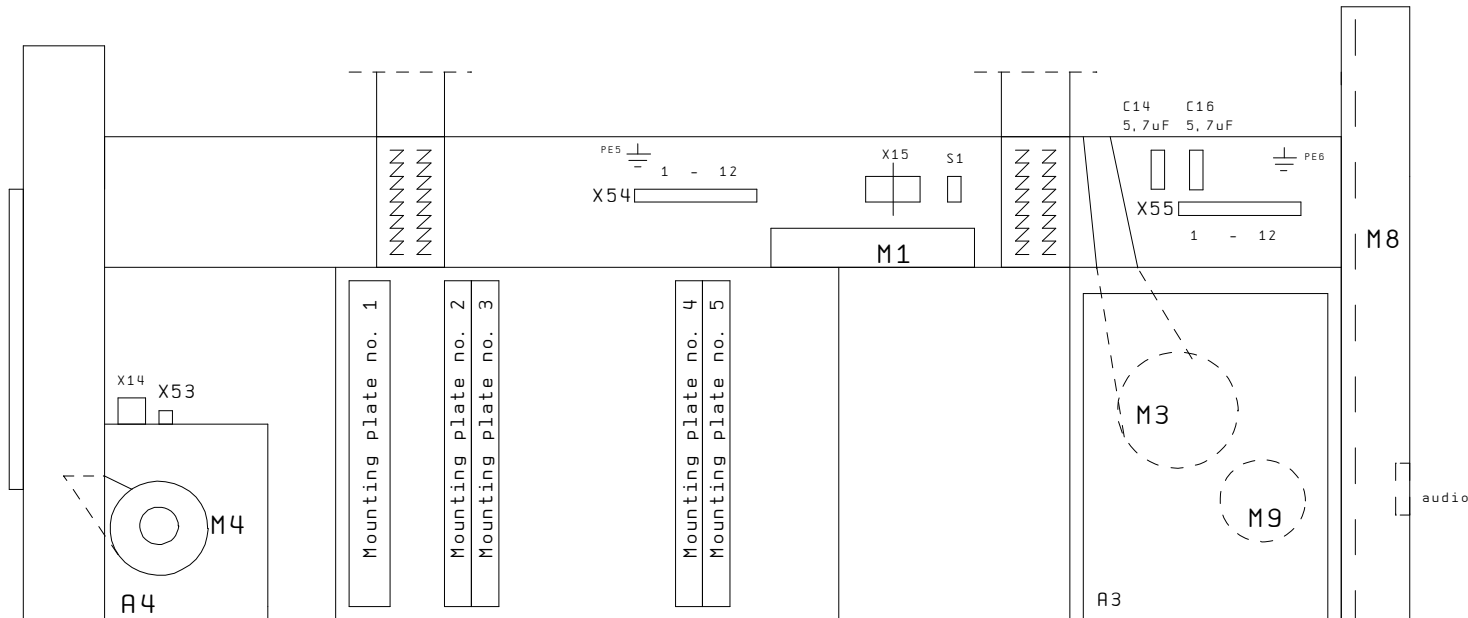
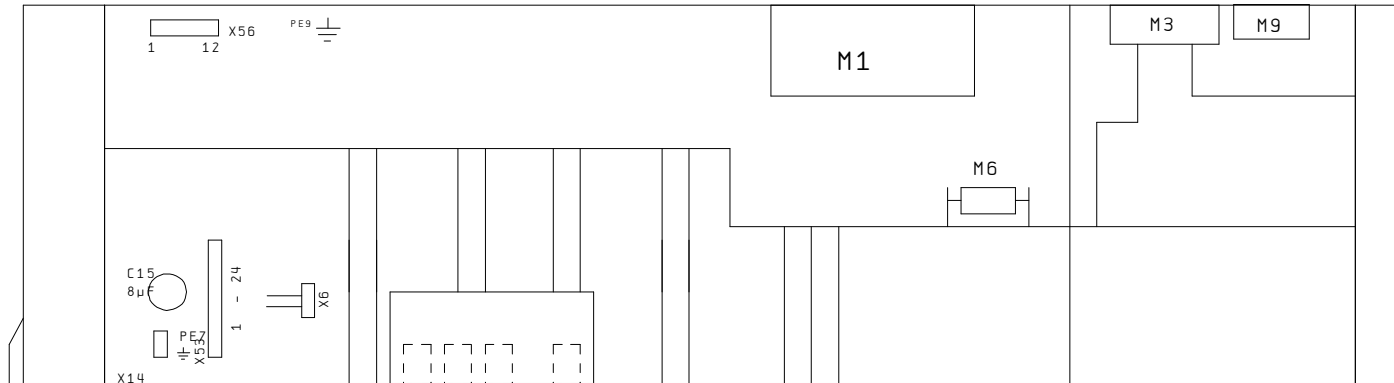
5h

0		1		2		3		4		5		6		7		8		9	
		date		Typ 7019/100 HD				bottom view base						drawing-no. A7000/467				UWEFLORS	
		drawn		Cayenne										ident. -no. :				page 5g	
08. Sep. 2004		checked		USA		18. Okt. 2004								267225				60 pages	
modific.		date		name		norm		origin		repl. for		266596		repl. by					

UWE GmbH
 Buchstrasse 82 · Postfach 2020
 D-73510 Schwäbisch Gmünd



pedestal housing



5g

5i

0	1	2	3	4	5	6	7	8	9
	date	Typ 7019/100 HD		pedestal housing			drawing-no. A7000/467		UWEFLORS
	drawn	NOS	Cayenne						
	08. Sep. 2004	checked	USA						
modific.	date	name	norm	origin	repl. for	repl. by	ident. -no.:		page
					266596		267225		5h
									60 pages

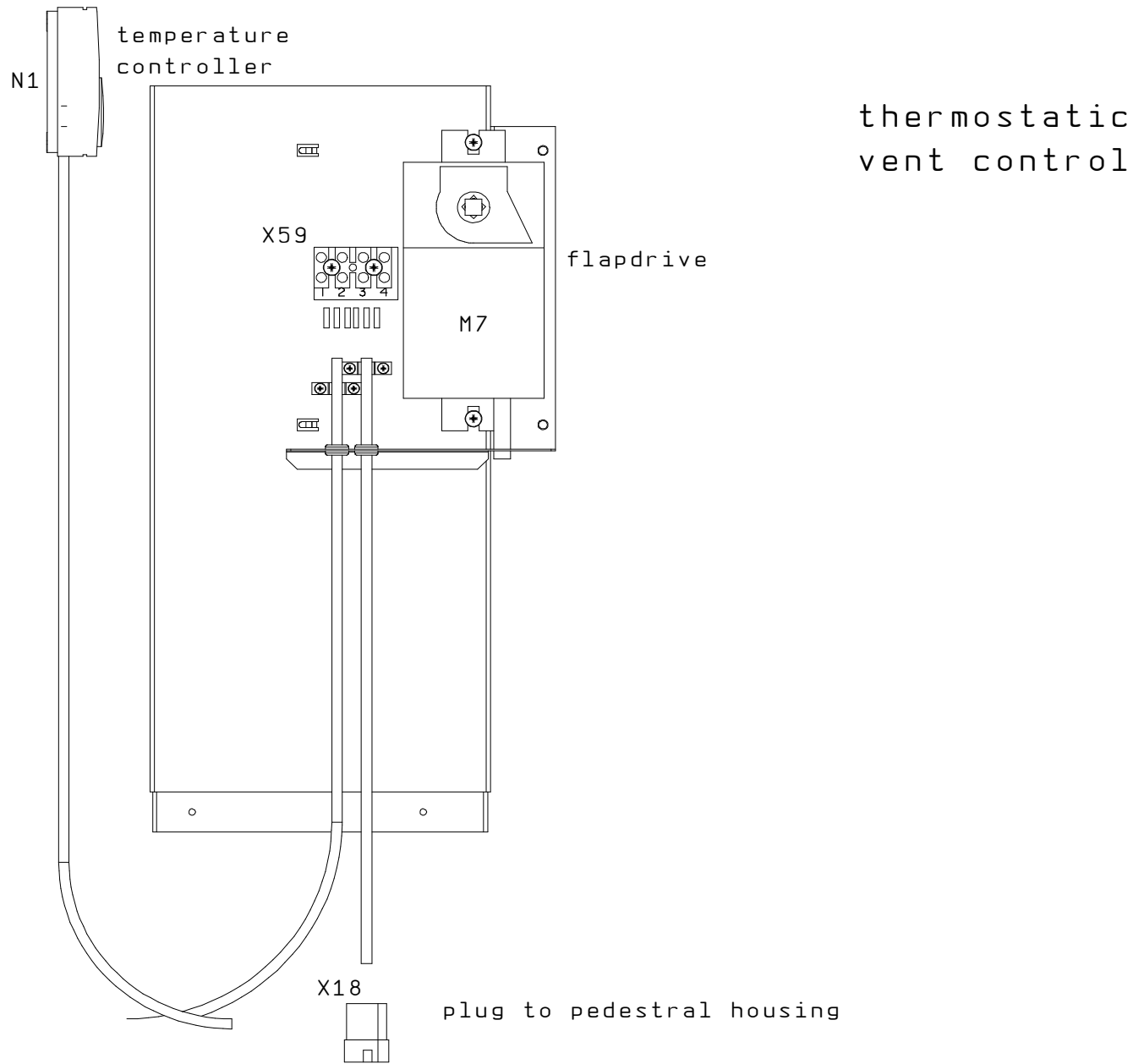
uwe GmbH
 Buchstrasse 82 · Postfach 2020
 D-73510 Schwäbisch Gmünd



drawing-no. A7000/467

ident. -no. :
 267225

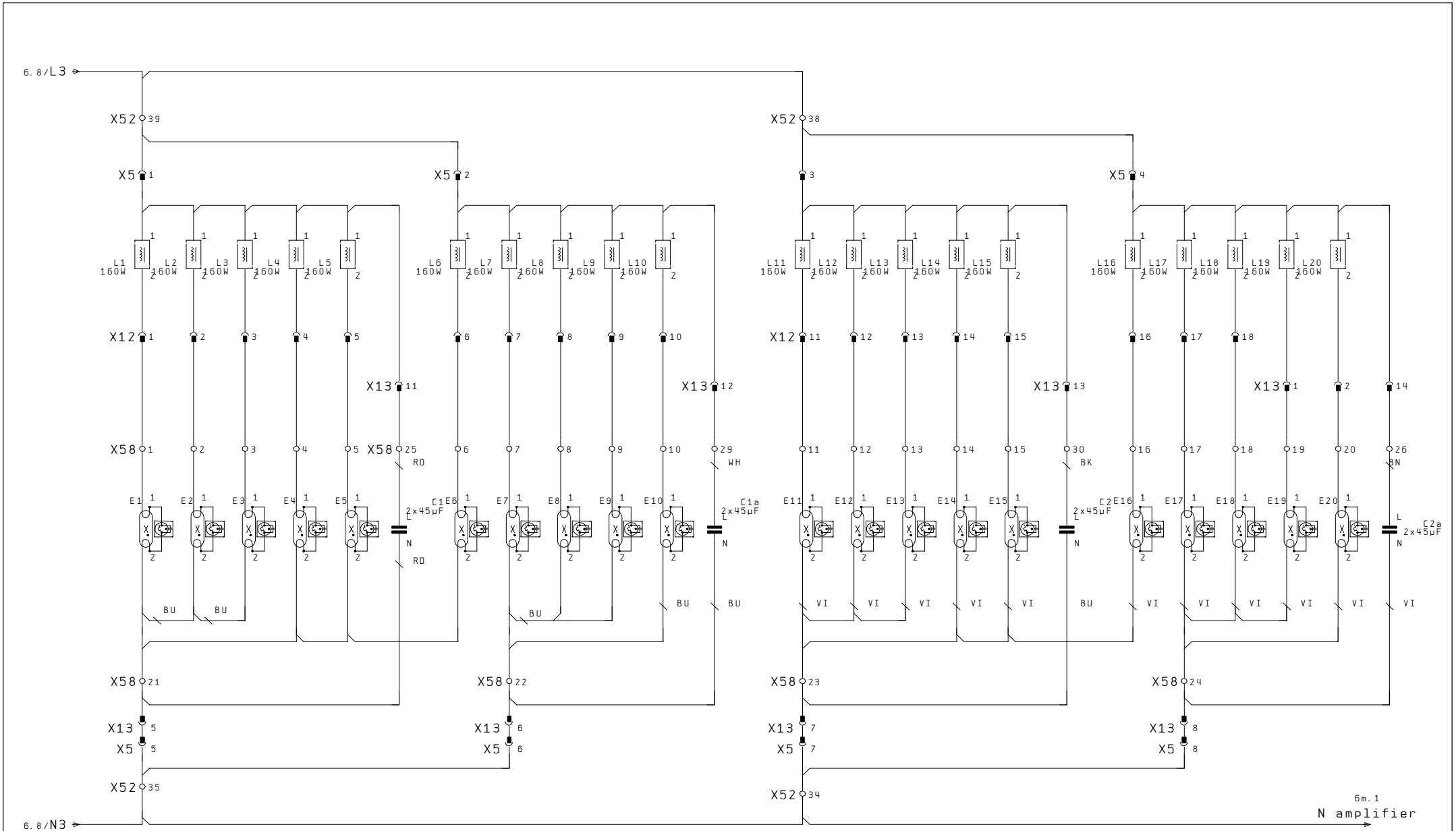
page 5h
 60 pages



5i

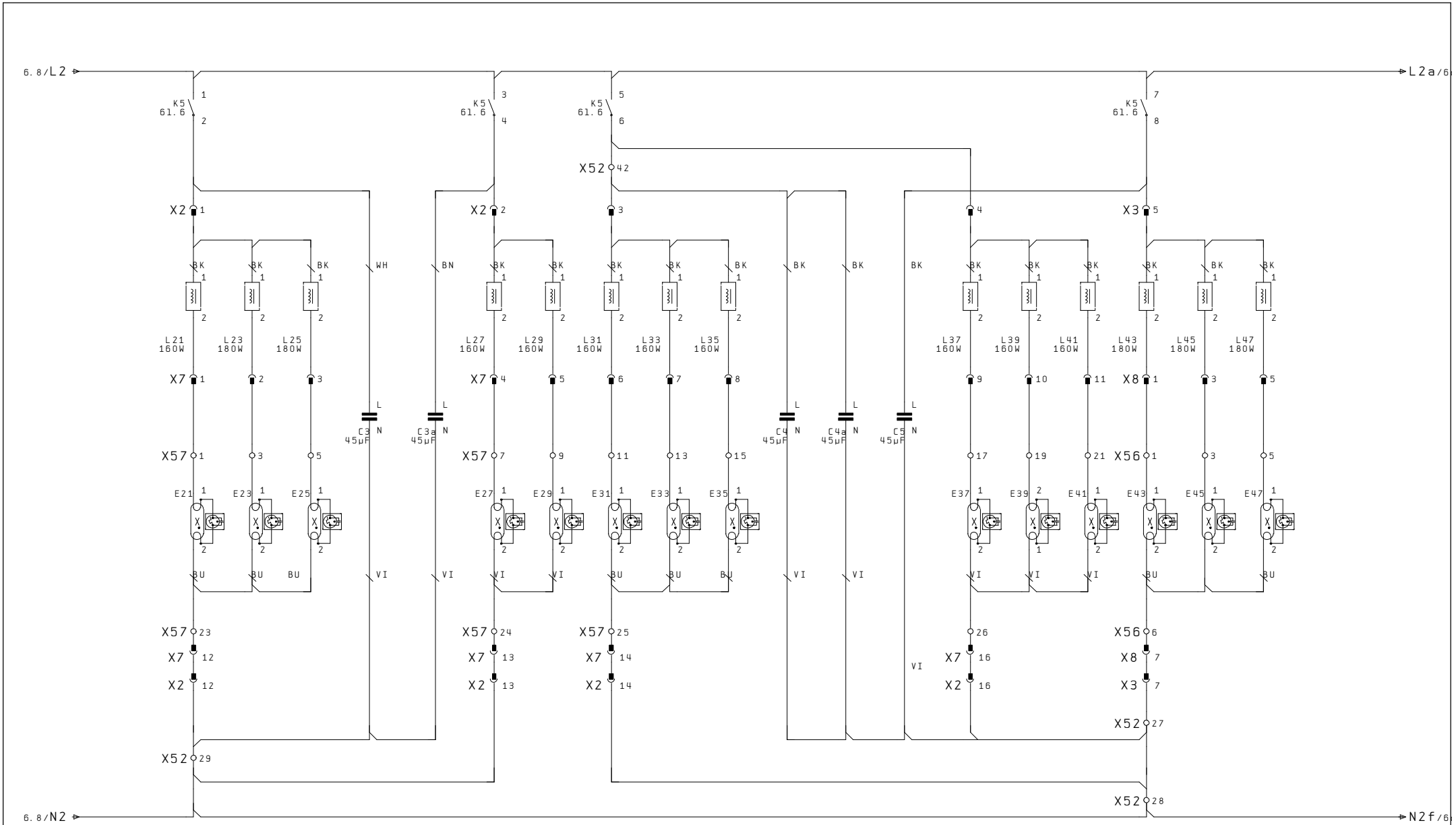
6

0		1		2		3		4		5		6		7		8		9	
		date		Typ 7019/100 HD				thermostatic						drawing-no. A7000/467				UWEFLORS	
		drawn	MAD	Cayenne				vent control											
	08. Sep. 2004	checked	18. Okt. 2004	USA										ident. -no. :				page 5j	
modific.	date	name	norm	origin	repl. for	266596	repl. by			UWE GmbH Buchstrasse 82 · Postfach 2020 D-73510 Schwäbisch Gmünd		UWE		267225				60 pages	



6m.1
N amplifier

6		1		2		3		4		5		6		7		8		9		9b	
		date		Typ 7019/100 HD		base lamps								drawing-no. A7000/467						UWEFLORS	
		drawn		Cayenne										ident. -no. :						page 6a	
08. Sep. 2004		checked		USA										267225						60 pages	
modific. date		name norm		origin		repl. for 266596		repl. by		UWE GmbH Buchstrasse 82 · Postfach 2020 D-73510 Schwäbisch Gmünd		UWE									



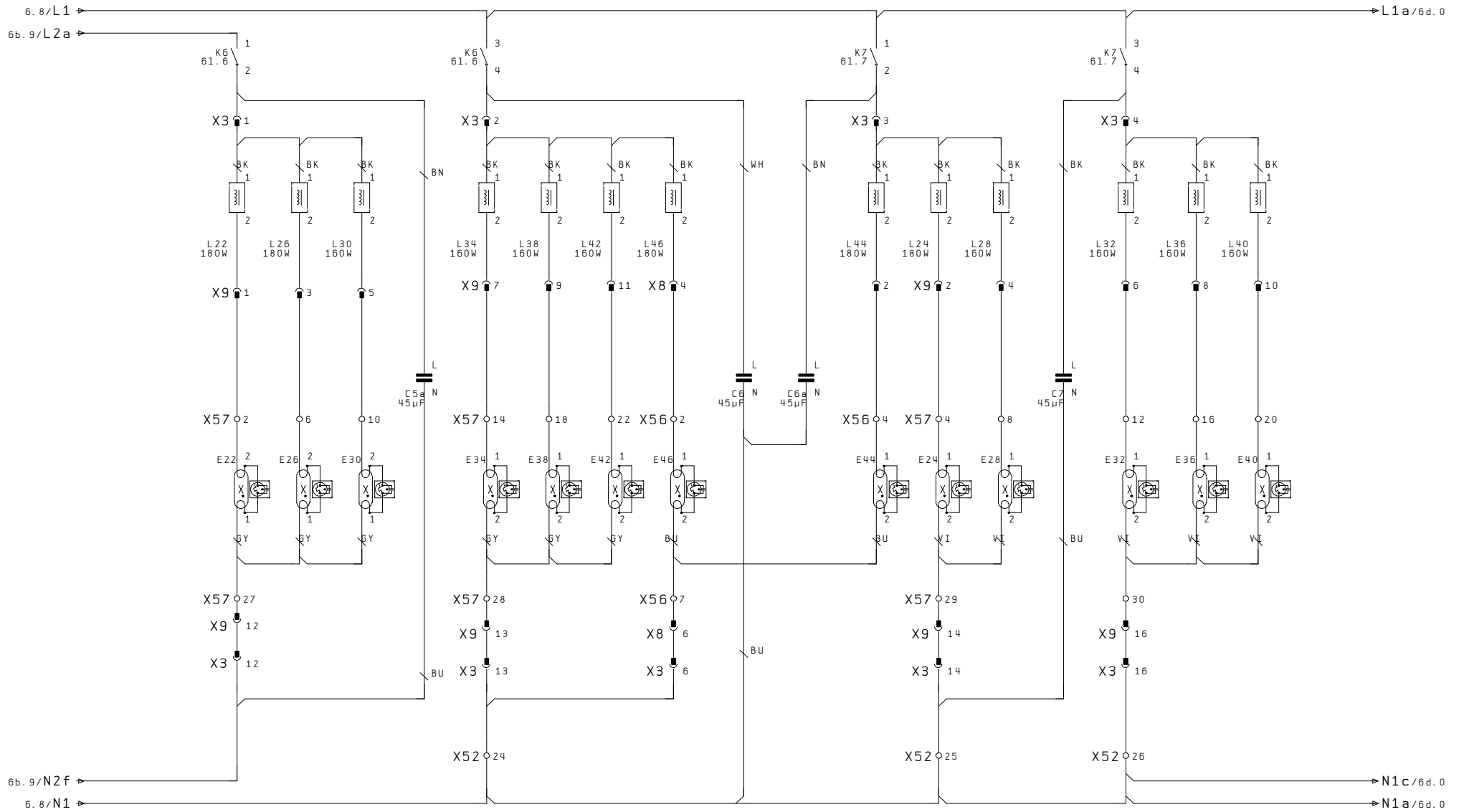
6a

6c

0		1		2		3		4		5		6		7		8		9	
		date		Typ 7019/100 HD		canopy lamps								drawing-no. A7000/467				UWEFLORS	
		drawn	MAD	Cayenne										ident. - no. :				page 6b	
	08. Sep. 2004	checked	18. Okt. 2004	USA										267225				60 pages	
modific.	date	name	norm	origin	repl. for	266596	repl. by												

UWE GmbH
 Buchstrasse 82 · Postfach 2020
 D-73510 Schwäbisch Gmünd

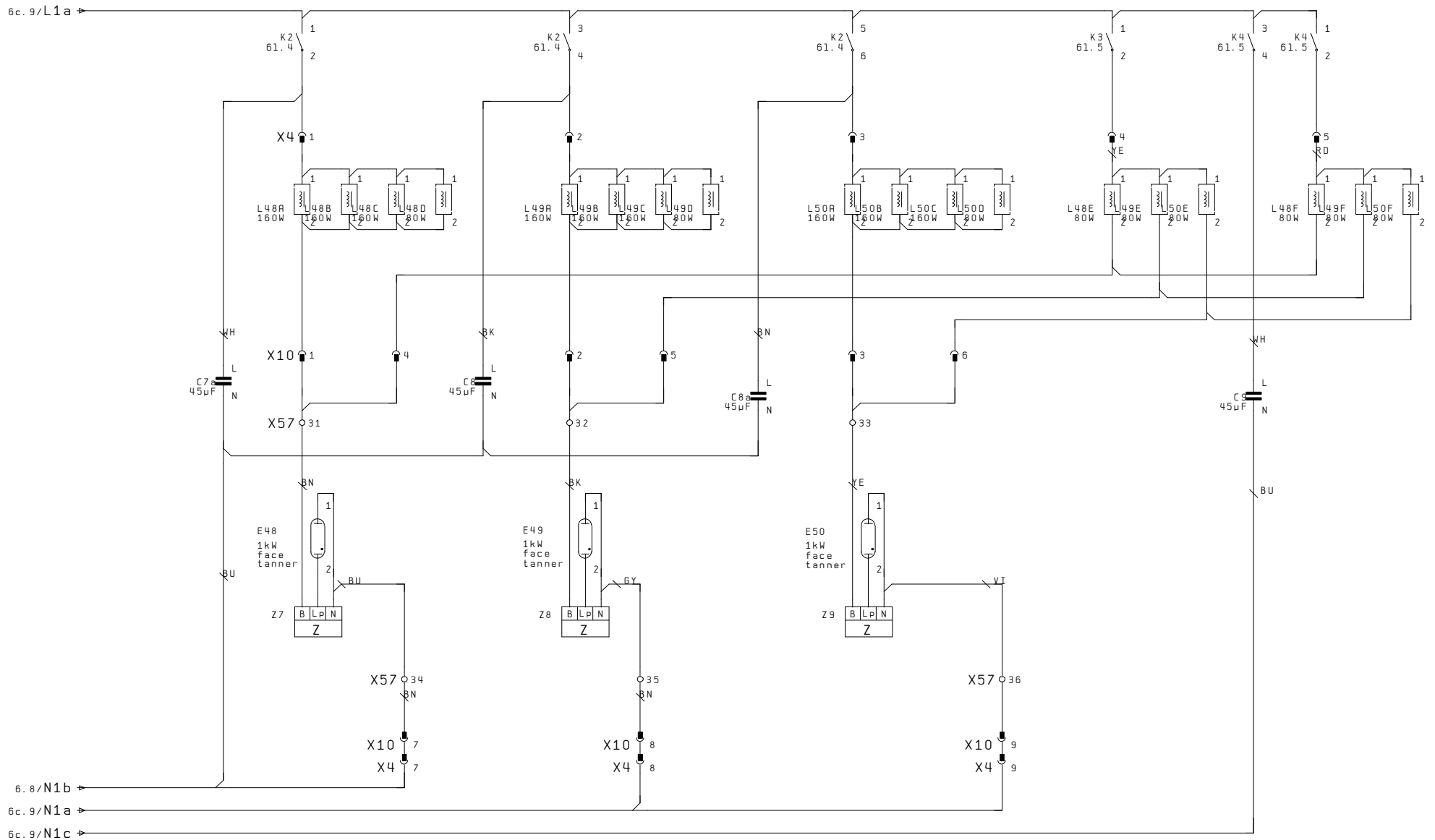




6b

6d

0		1		2		3		4		5		6		7		8		9	
		date		Typ 7019/100 HD				canopy lamps						drawing-no. A7000/467				UWEFLORS	
		drawn	NOS	Cayenne															
	08. Sep. 2004	checked	18. Okt. 2004	USA															
modific.	date	name	norm	origin	repl. for	266596	repl. by			Uwe GmbH Buchstrasse 82 · Postfach 2020 D-73510 Schwäbisch Gmünd		ident. - no. : 267225				page 6c		60 pages	



6c

6e

0		1		2		3		4		5		6		7		8		9	
		date		Typ 7019/100 HD		HP lamps													
		drawn	NOS	Cayenne															
	08. Sep. 2004	checked	18. Okt. 2004	USA															page 6d
modific.	date	name	norm	origin	repl. for 266596	repl. by													60 pages

UWE GmbH
 Buchstrasse 82 · Postfach 2020
 D-73510 Schwäbisch Gmünd

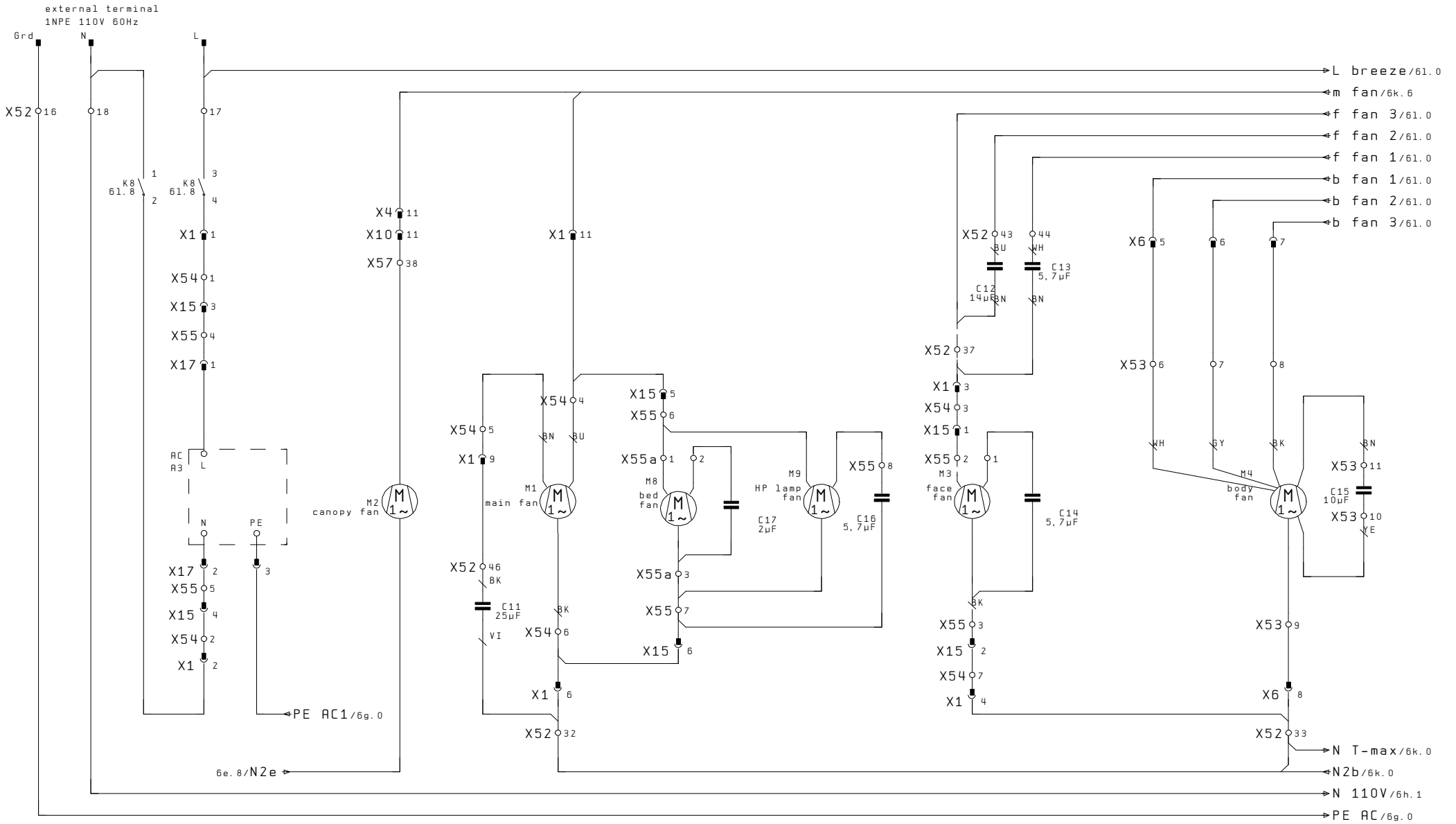


drawing-no. A7000/467

ident. -no. :
 267225

UWEFLORS

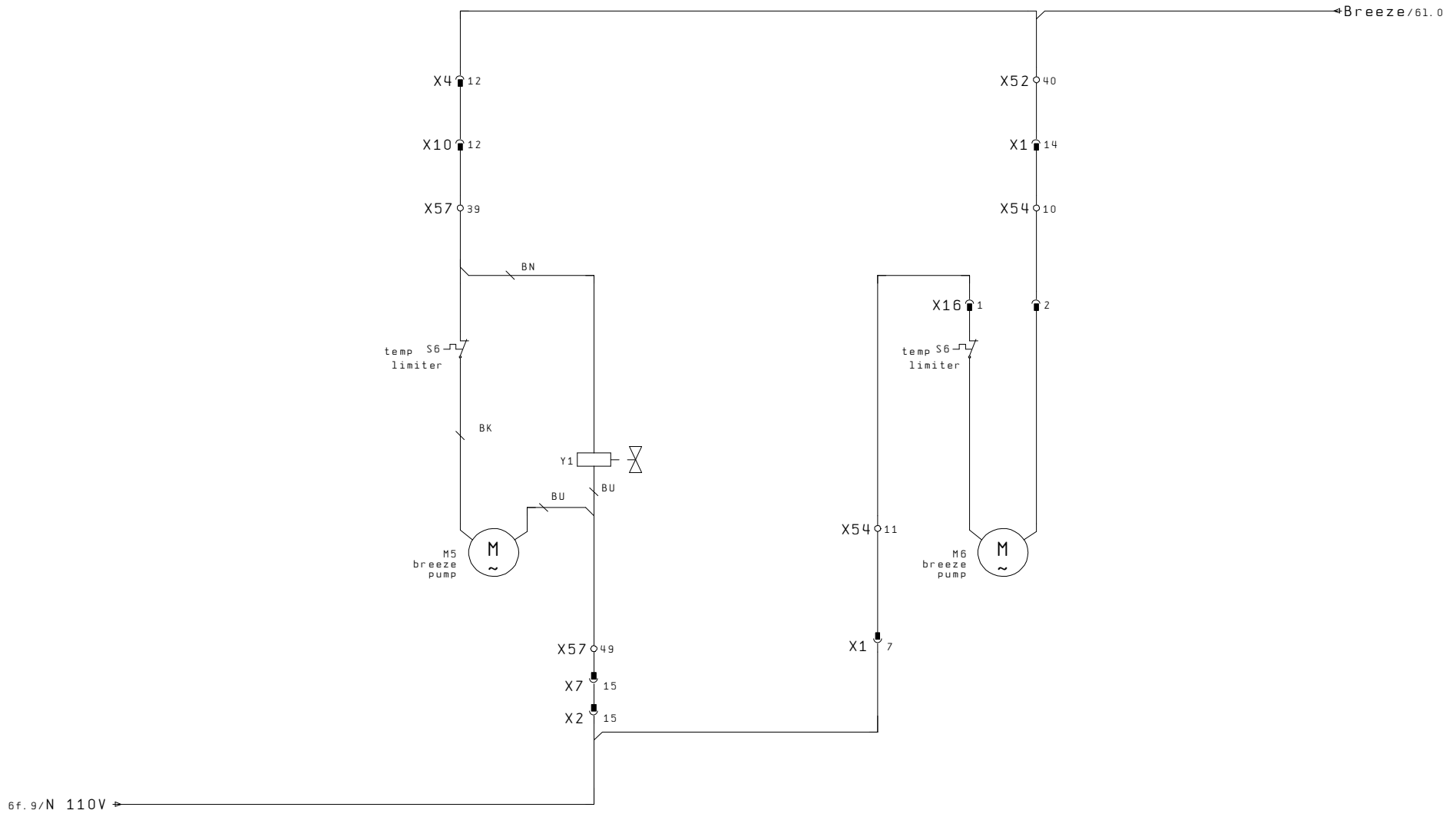
The external construction, like the fuses, main switch, fault current circuit breaker, have to be arranged by the owner/operator according to the current regulations



0		1		2		3		4		5		6		7		8		9	
		date		Typ 7019/100 HD		fan circuit													
		drawn	NOS	Cayenne															
	08. Sep. 2004	checked	18. Okt. 2004	USA															
modific.	date	name	norm	origin	repl. for	266596	repl. by												
														UWEFLORS					
														drawing-no. A7000/467					
														ident. -no. : 267225		page 6 f			
																60 pages			

uwe GmbH
Buchstrasse 82 · Postfach 2020
D-73510 Schwäbisch Gmünd





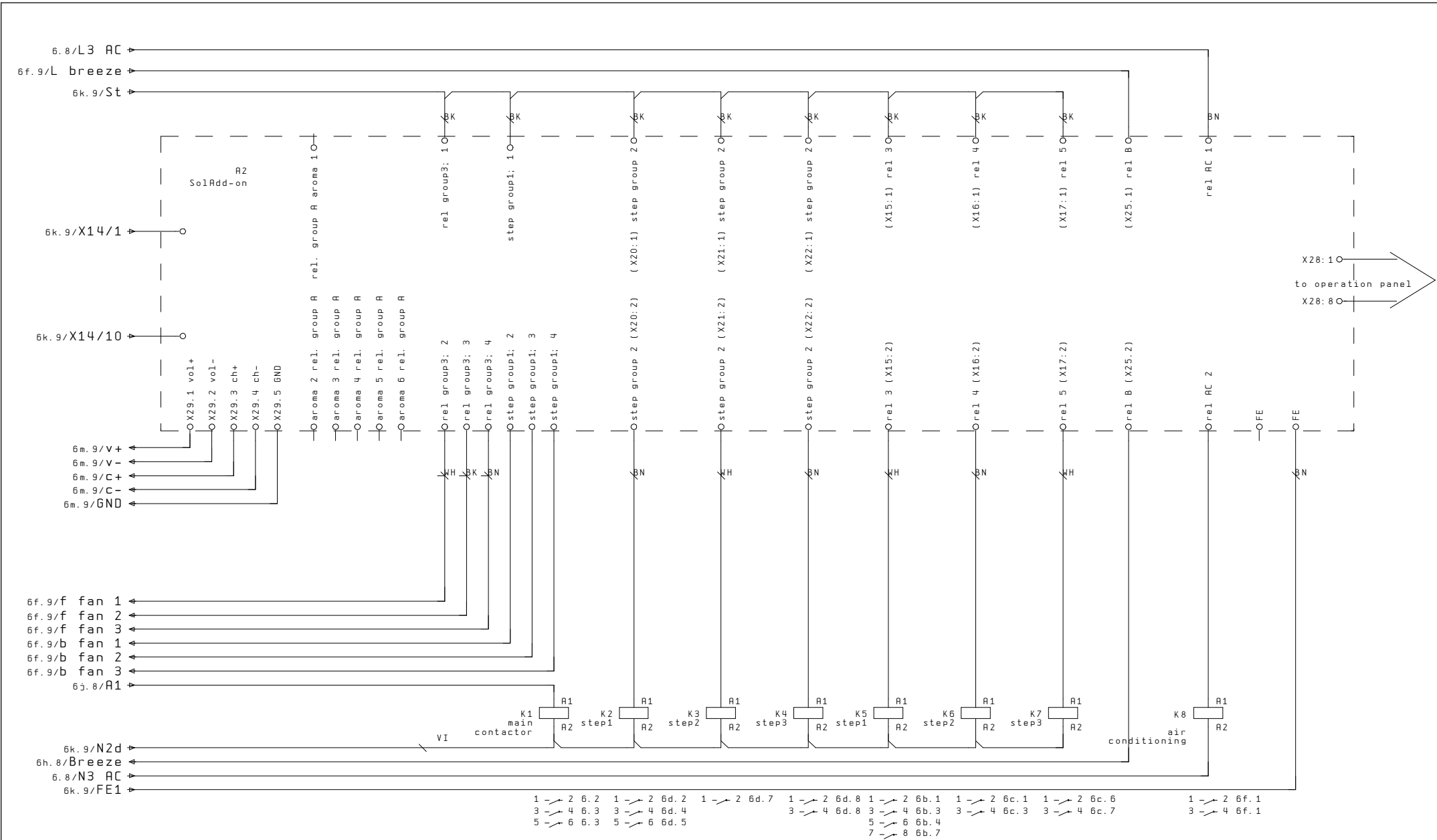
6g

6i

0	1	2	3	4	5	6	7	8	9
	date	Typ 7019/100 HD		breeze			drawing-no. A7000/467		UWEFLORS
	drawn MAD	Cayenne							
	08. Sep. 2004	USA					ident. -no. :		page 6h
modific.	date	name	norm	origin	repl. for 266596	repl. by	267225		60 pages

uwe GmbH
 Buchstrasse 82 · Postfach 2020
 D-73510 Schwäbisch Gmünd





6k

6m

0	1	2	3	4	5	6	7	8	9
date		Typ 7019/100 HD		control circuit		drawing-no. A7000/467		UWEFLORS	
drawn NOS		Cayenne				ident. -no.:		page 61	
08. Sep. 2004		USA				267225		60 pages	
modific.	date	name	norm	origin	repl. for 266596	repl. by			
checked 18. Okt. 2004		origin		repl. for 266596		repl. by			

UWE GmbH
 Buchstrasse 82 · Postfach 2020
 D-73510 Schwäbisch Gmünd



terminal diagram

identification terminal block		cabelname		cabeltype		connection		finish designation		device connection		bridges		terminal number		connection		finish designation		function text		page/path		
X1		WX1/X52		1x																6f. 1				
		cabelname		cabeltype		connection		finish designation		device connection		bridges		terminal number		connection		finish designation		function text		6f. 1		
						K8 4		K8						1		1		X54				6f. 1		
						K8 2		K8						2		2		X54				6f. 1		
						X52 37		X52						3		3		X54				6f. 6		
						X52 33		X52						4		4		X54				6f. 6		
						X52 32		X52						6		6		X54				6f. 3		
						X52 18		X52						7		7		X54				6h. 5		
						X54 5		X54						9		9		X52				6f. 3		
						X52 41		X52						11		11		X54				6f. 4		
				X52 45		X52						12		12		X54				6j. 2				
				Solbasis B		Solbasis						13		13		X54				6j. 2				
				X52 40		X52						14		14		X54				6h. 6				
				X52 15		X52						18		18		X54				6g. 7				

6m

8

0		1		2		3		4		5		6		7		8		9		UWEPLORS	
		date 08. Sep. 2004		Typ 7019/100 HD		X1								drawing-no. A7000/467							
		drawn NOS		Cayenne																	
08. Sep. 2004		checked 18. Okt. 2004		USA																page 7	
modific. date		name norm		origin		repl. for 266596		repl. by		UWE GmbH Buchstrasse 82 · Postfach 2020 D-73510 Schwäbisch Gmünd		UWE		ident. -no. : 267225						60 pages	

terminal diagram

identification terminal block X5	cabelname	4mm²		cabeltype		connection		finish designation		device connection		bridges		terminal number		connection		finish designation		
		6a.1	6a.3	6a.5	6a.7	6a.1	6a.3	6a.5	6a.8	6e.3	6e.3	6g.4								

10

12

0		1		2		3		4		5		6		7		8		9	
		date	08. Sep. 2004	Typ 7019/100 HD		Cayenne		X5						drawing-no. A7000/467				UWEPLORS	
		drawn	NOS	USA										ident. -no. :				page 11	
08. Sep. 2004		checked	18. Okt. 2004	origin		repl. for 266596		repl. by						267225				60 pages	
modific.	date	name	norm																

UWE GmbH
 Buchstrasse 82 · Postfach 2020
 D-73510 Schwäbisch Gmünd



terminal diagram

identification terminal block X8	cabelname	cabeltype	connection	finish designation	device connection	bridges	terminal number	connection	finish designation	function text	page/path	
			1	L43			1	X56			6b. 7	
			2	L44			2	X56			6c. 6	
			3	L45			3	X56			6b. 8	
			4	L46			4	X56			6c. 4	
			5	L47			5	X56			6b. 8	
			6	X3			6	X56			6c. 4	
			7	X3			7	X56			6b. 7	

0		1		2		3		4		5		6		7		8		9	
		date	08. Sep. 2004	Typ 7019/100 HD		X8								drawing-no. A7000/467				UWEFLORS	
		drawn	NOS	Cayenne															
	08. Sep. 2004	checked	18. Okt. 2004	USA															
modific.	date	name	norm	origin	repl. for	266596	repl. by												
													ident. -no. : 267225		page 14 60 pages				

UWE GmbH
 Buchstrasse 82 · Postfach 2020
 D-73510 Schwäbisch Gmünd



terminal diagram

function text	cabelname	cabeltype	identification terminal block X12							connection	finish designation	device connection	bridges	terminal number	bridges	connection	finish designation	connection	finish designation	page/path
			1	2	3	4	5	6	7											
			X58	1	L1	2														6a.1
			X58	2	L2	2														6a.1
			X58	3	L3	2														6a.1
			X58	4	L4	2														6a.2
			X58	5	L5	2														6a.2
			X58	6	L6	2														6a.3
			X58	7	L7	2														6a.3
			X58	8	L8	2														6a.3
			X58	9	L9	2														6a.4
			X58	10	L10	2														6a.4
			X58	11	L11	2														6a.5
			X58	12	L12	2														6a.5
			X58	13	L13	2														6a.6
			X58	14	L14	2														6a.6
			X58	15	L15	2														6a.6
			X58	16	L16	2														6a.7
			X58	17	L17	2														6a.8
			X58	18	L18	2														6a.8

0		1		2		3		4		5		6		7		8		9		
		date	08. Sep. 2004	Typ 7019/100 HD		X12								drawing-no. A7000/467				UWEPLORS		
		drawn	NOS	Cayenne																
	08. Sep. 2004	checked	18. Okt. 2004	USA																
modific.	date	name	norm	origin	repl. for	266596	repl. by													
													UWE GmbH Buchstrasse 82 · Postfach 2020 D-73510 Schwäbisch Gmünd		UWE		ident. -no. : 267225		page 17 60 pages	

terminal diagram


identification terminal block X13	cabelname		cabeltype		connection		finish designation	device connection	bridges	terminal number	connection	finish designation	function text	BU	cabelname		cabeltype		connection		finish designation	device connection	bridges	terminal number	connection	finish designation	page/path
	6a.8	6a.9	6a.1	6a.3	6a.5	6a.8									6a.3	6e.3	6a.2	6a.4	6a.7	6a.9							
	X58	19					L19			1		X58														6a.8	
	X58	20					L20			2		X58														6a.9	
	X58	21					X5			5		X58														6a.1	
	X58	22					X5			6		X58														6a.3	
	X58	23					X5			7		X58														6a.5	
	X58	24					X5			8		X58														6a.8	
	X58	27					X5			9		X58														6e.3	
	X58	28					X5			10		X58														6e.3	
	X58	25					L5			11		X58														6a.2	
	X58	29					L10			12		X58														6a.4	
	X58	30					L15			13		X58														6a.7	
	X58	26					L20			14		X58														6a.9	
	X58	36					X5			18		X58														6g.4	

0		1		2		3		4		5		6		7		8		9	
		date	08. Sep. 2004	Typ 7019/100 HD				MP3+MP4						drawing-no. A7000/467					
		drawn	NOS	Cayenne															
	08. Sep. 2004	checked	18. Okt. 2004	USA															
modific.	date	name	norm	origin		repl. for 266596		repl. by											
																UWEPLORS			
																ident. -no. : 267225		page 18	
																60 pages			



terminal diagram

identification terminal block X15	cabelname	cabeltype	connection	finish designation	device connection	bridges	terminal number	connection	finish designation	function text	page/path	
			3	X54			1	2	X55		6f. 6	
			7	X54			2	3	X55		6f. 6	
			1	X54			3	4	X55		6f. 1	
			2	X54			4	5	X55		6f. 1	
			4	X54			5	6	X55		6f. 4	
			6	X54			6	7	X55		6f. 4	
			12	X54			18	11	X55		69. 6	

0		1		2		3		4		5		6		7		8		9		
		date	08. Sep. 2004	Typ 7019/100 HD		X15								drawing-no. A7000/467				UWEPLORS		
		drawn	NOS	Cayenne																
	08. Sep. 2004	checked	18. Okt. 2004	USA																
modific.	date	name	norm	origin	repl. for	266596	repl. by													
													Uwe GmbH Buchstrasse 82 · Postfach 2020 D-73510 Schwäbisch Gmünd				ident. -no. : 267225		page 19 60 pages	

