

Uwe GmbH
 Buchstrasse 82 · Postfach 2020
 D-73510 Schwäbisch Gmünd



drawing-no. : A7000/459
 device type/ : Typ 7019/148 HD
 designation : Power of Chi
 commission : USA

path : 3
 creation date : 08. Okt. 2003
 drawn by : NOS
 modification date : 25. Mai. 2004
 modified by : NOS

feeding in : 3/2~60Hz 220V 50/80A

number of pages : 68

All rights reserved

technical modifications reserved

0		1		2		3		4		5		6		7		8		9	
		date	18. Sep. 2002	Typ 7019/148 HD				cover page						drawing-no. A7000/459					
		drawn	NOS	Power of Chi															
		checked	18. Okt. 2004	USA															
modific.	date	name	norm	origin		repl. for		repl. by		Uwe GmbH Buchstrasse 82 · Postfach 2020 D-73510 Schwäbisch Gmünd		ident. -no. : 266596		UWE		page 1		68 pages	

index

WUPJ00100 22.10.00

page	page designation	extra field	date	drawer	X
1	cover page		07. Jan. 2004	NOS	
2	index		07. Jan. 2004	NOS	x
2a	index		07. Jan. 2004	NOS	x
2b	index		07. Jan. 2004	NOS	x
3	modifications		07. Jan. 2004	MAD	
4	lamps, identification		07. Jan. 2004	NOS	
5	mounting plate no1; control		11. Dez. 2003	NOS	
5a	mounting plate no.1 control panel		04. Dez. 2003	NOS	
5b	mounting plate no. 2		28. Nov. 2003	NOS	
5c	mounting plate no. 3		28. Nov. 2003	NOS	
5d	mounting plate no. 4		29. Okt. 2003	NOS	
5e	mounting plate no. 5; base		31. Okt. 2003	NOS	
5f	canopy		20. Nov. 2003	NOS	
5g	bottom view base		17. Nov. 2003	NOS	
5h	pedestral housing		10. Dez. 2003	NOS	
5i	aroma module		31. Okt. 2003	NOS	
5j	thermostatic vent control		07. Jan. 2004	MAD	
6	main circuit		07. Jan. 2004	MAD	
6a	base lamps		07. Jan. 2004	MAD	
6b	canopy lamps		07. Jan. 2004	MAD	
6c	canopy lamps		07. Jan. 2004	NOS	
6d	HP lamps		27. Nov. 2003	NOS	
6e	light effects		07. Jan. 2004	NOS	
6f	fan circuit		07. Jan. 2004	NOS	
6g	PE		07. Jan. 2004	NOS	
6h	breeze		11. Dez. 2003	MAD	
6i	vent control		07. Jan. 2004	NOS	
6j	safety loop		07. Jan. 2004	NOS	
6k	chi machine		07. Jan. 2004	NOS	
6l	aroma module		07. Jan. 2004	NOS	

1

2a

0		1		2		3		4		5		6		7		8		9			
			date		Typ 7019/148 HD			index													
			drawn	NOS	Power of Chi																
	25. Mai. 2004		checked	18. Okt. 2004	USA																
modific.	date	name	norm		origin		repl. for		repl. by												
												uwe GmbH Buchstrasse 82 · Postfach 2020 D-73510 Schwäbisch Gmünd		drawing-no. A7000/459		ident. -no. : 266596		page 2 68 pages		UWEFL0R4	

index

WUPJ00100 22.10.00

page	page designation	extra field	date	drawer	X
6m	control circuit		07. Jan. 2004	MAD	
6n	control circuit		07. Jan. 2004	NOS	
6p	audio		07. Jan. 2004	NOS	
7	X1		15. Dez. 2003	NOS	
8	X2		15. Dez. 2003	NOS	
9	X3		15. Dez. 2003	NOS	
10	X4		15. Dez. 2003	NOS	
11	X5		15. Dez. 2003	NOS	
12	X6		15. Dez. 2003	NOS	
13	X7		15. Dez. 2003	NOS	
14	X8		15. Dez. 2003	NOS	
15	X9		15. Dez. 2003	NOS	
16	X10		15. Dez. 2003	NOS	
17	X12		15. Dez. 2003	NOS	
18	MP3+MP4		15. Dez. 2003	NOS	
19	X14		15. Dez. 2003	NOS	
20	X15		15. Dez. 2003	NOS	
21	X16		15. Dez. 2003	NOS	
22	X17		15. Dez. 2003	NOS	
23	X18		15. Dez. 2003	NOS	
24	X19		15. Dez. 2003	NOS	
25	X20		15. Dez. 2003	NOS	
26	X21		15. Dez. 2003	NOS	
27	X50		15. Dez. 2003	NOS	
28	X51		15. Dez. 2003	NOS	
29	X52		15. Dez. 2003	NOS	
30	X52		15. Dez. 2003	NOS	
31	X53		15. Dez. 2003	NOS	
32	X54		15. Dez. 2003	NOS	
33	X55		15. Dez. 2003	NOS	

2

2b

0		1		2		3		4		5		6		7		8		9	
		date		Typ 7019/148 HD		index								drawing-no. A7000/459				UWEFL0R4	
		drawn	NOS	Power of Chi															
	25. Mai. 2004	checked	18. Okt. 2004	USA															
modific.	date	name	norm	origin	repl. for	repl. by													page 2a
																			68 pages

UWE GmbH
 Buchstrasse 82 · Postfach 2020
 D-73510 Schwäbisch Gmünd



ident. -no. :
 266596

terminals:

connectors: X0 ... X29

terminal blocks: X50 ... X99

ext. components and subassembly: X100 ... X199

component identification

ballasts: L

ignition components: Z

lamps: E

control components: A

fans/motors: M

circuit-breaker: Q

control switch: S

timer: P

LP base lamps: E1-E20

HP and LP lamps canopy: E21-99

floorlight: E100

background light illumination: E101-E120

color code

color	code
white	WH
red	RD
blue	BU
green	GN
yellow	YE
grey	GY
brown	BN
orange	OG
black	BK
turquoise	TQ
ivory	IV
beige	BE
oliv	OL
violett	VI
green yellow	GNYE

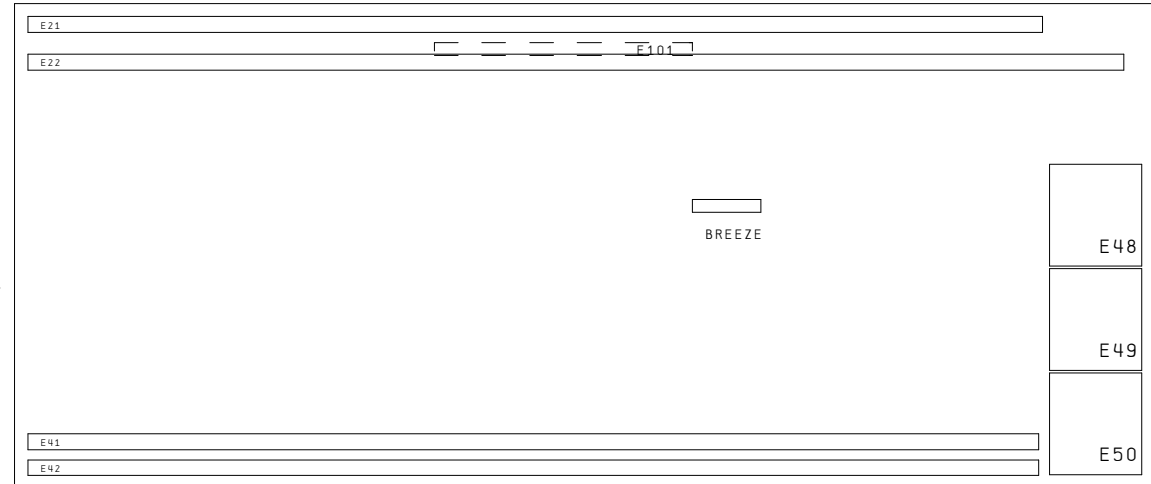
lamps and identification

foot

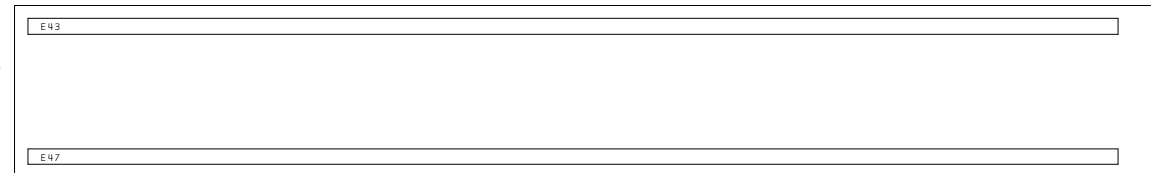
front

head

canopy

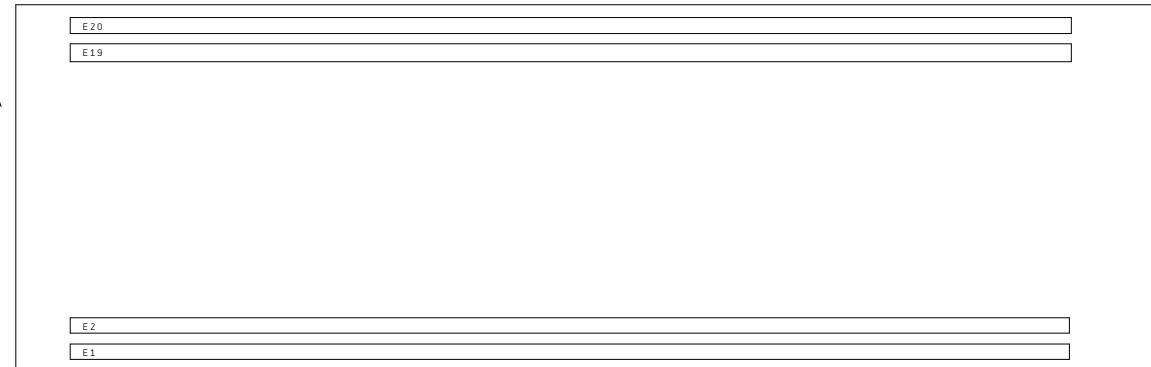


canopy



side
tanner

base



front

5

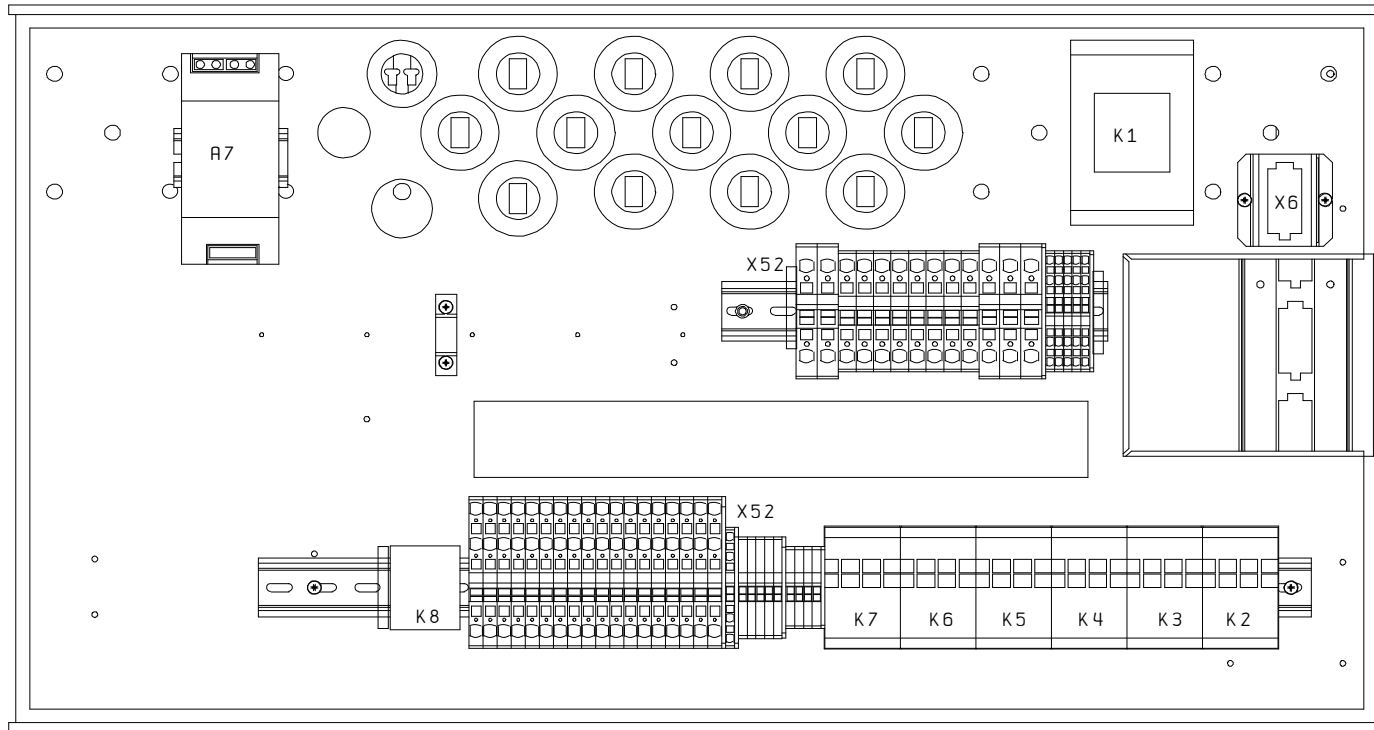
3

0		1		2		3		4		5		6		7		8		9	
			date		Typ 7019/148 HD														
			drawn	NOS	Power of Chi			lamps,											
	25. Mai. 2004		checked	18. Okt. 2004	USA			identification											
modific.	date	name	norm		origin	repl. for		repl. by											
										UWE GmbH Buchstrasse 82 · Postfach 2020 D-73510 Schwäbisch Gmünd		drawing-no. A7000/459		ident. -no. : 266596		page 4 68 pages			

UWEPL0R4




mounting plate no. 1; control panel

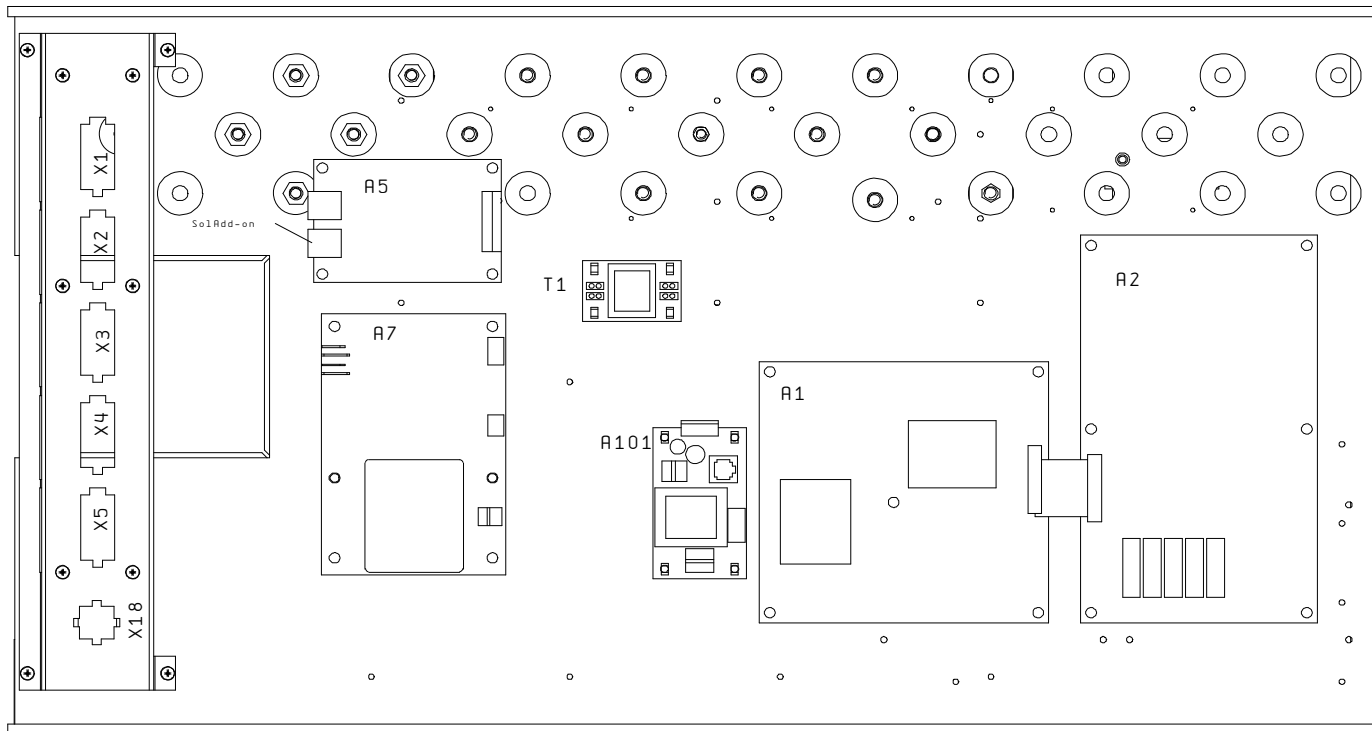


4

5a


0		1		2		3		4		5		6		7		8		9	
		Datum		Typ 7019/148 HD				mounting plate no1;						Z.-Nr.: A7000/459				UWEPL02	
		Bearb.	NOS	Power of Chi				control											
	25. Mai. 2004	Gepr.	18. Okt. 2004	USA										Mat.-Nr.:				B1. 5	
Änderung	Datum	Name	Norm	Urspr.	Ers. f.	Ers. d.			uwe GmbH Buchstrasse 82 · Postfach 2020 D-73510 Schwäbisch Gmünd				266596				68 B1.		

mounting plate no. 1; control panel (back)

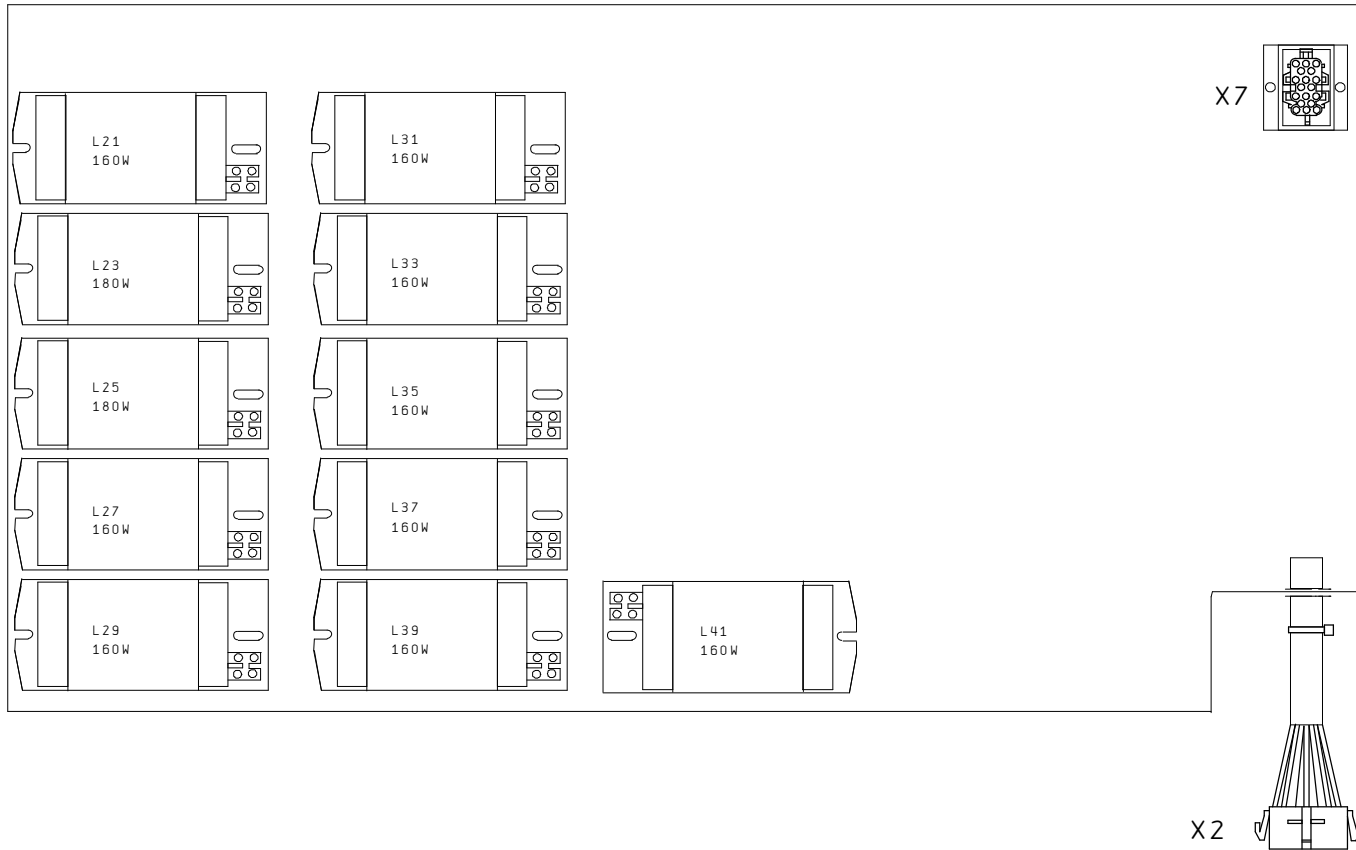


5

5b

0		1		2		3		4		5		6		7		8		9	
		Datum		Typ 7019/148 HD				mounting plate no. 1						Z.-Nr.: A7000/459				UWEPL02	
		Bearb.	NOS	Power of Chi				control panel											
	25. Mai. 2004	Gepr.	18. Okt. 2004	USA										Mat.-Nr.:				B1. 5a	
Anderung	Datum	Name	Norm	Urspr.	Ers. f.	Ers. d.			uwe GmbH Buchstrasse 82 · Postfach 2020 D-73510 Schwäbisch Gmünd				266596				68 B1.		

mounting plate no. 2

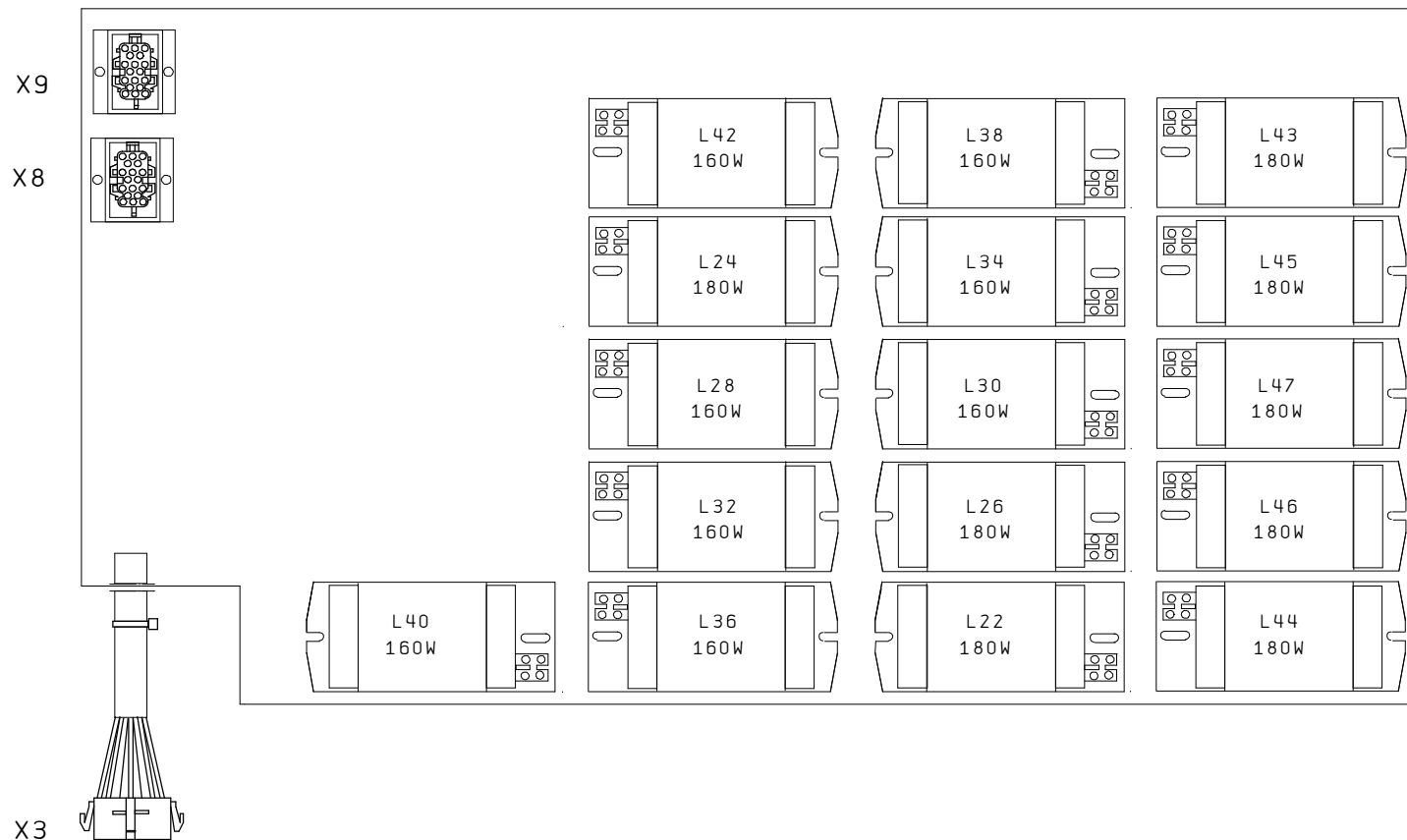


5a

5c

0	1	2	3	4	5	6	7	8	9
	Datum	Typ 7019/148 HD		mounting plate no. 2	uwe GmbH Buchstrasse 82 · Postfach 2020 D-73510 Schwäbisch Gmünd		Z.-Nr.: A7000/459		UWEPLO2
	Bearb.	NOS	Power of Chi				Mat.-Nr.: 266596	B1. 5b	
	25. Mai. 2004	Gepr.	18. Okt. 2004	USA				68 B1.	
Änderung	Datum	Name	Norm	Urspr.	Ers. f.	Ers. d.			

mounting plate no. 3

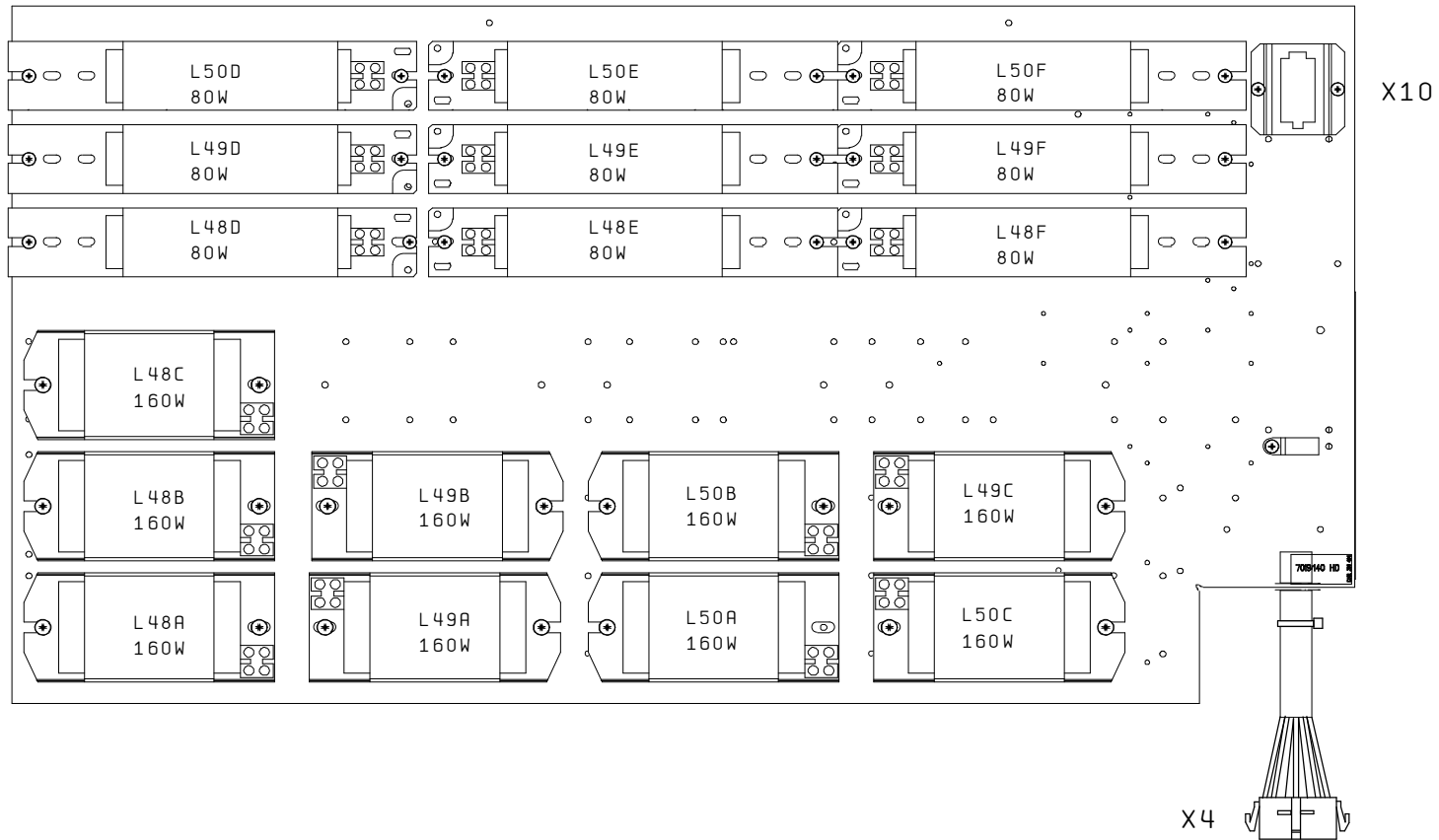


5b

5d


0		1		2		3		4		5		6		7		8		9	
		Datum		Typ 7019/148 HD				mounting plate						Z.-Nr.: A7000/459				UWEPL02	
		Bearb.	NOS	Power of Chi				no. 3											
	25. Mai. 2004	Gepr.	18. Okt. 2004	USA										Mat.-Nr.:				B1. 5c	
Änderung	Datum	Name	Norm	Urspr.		Ers. f.		Ers. d.		D-73510 Schwäbisch Gmünd		UWE		266596				68 B1.	

mounting plate no. 4

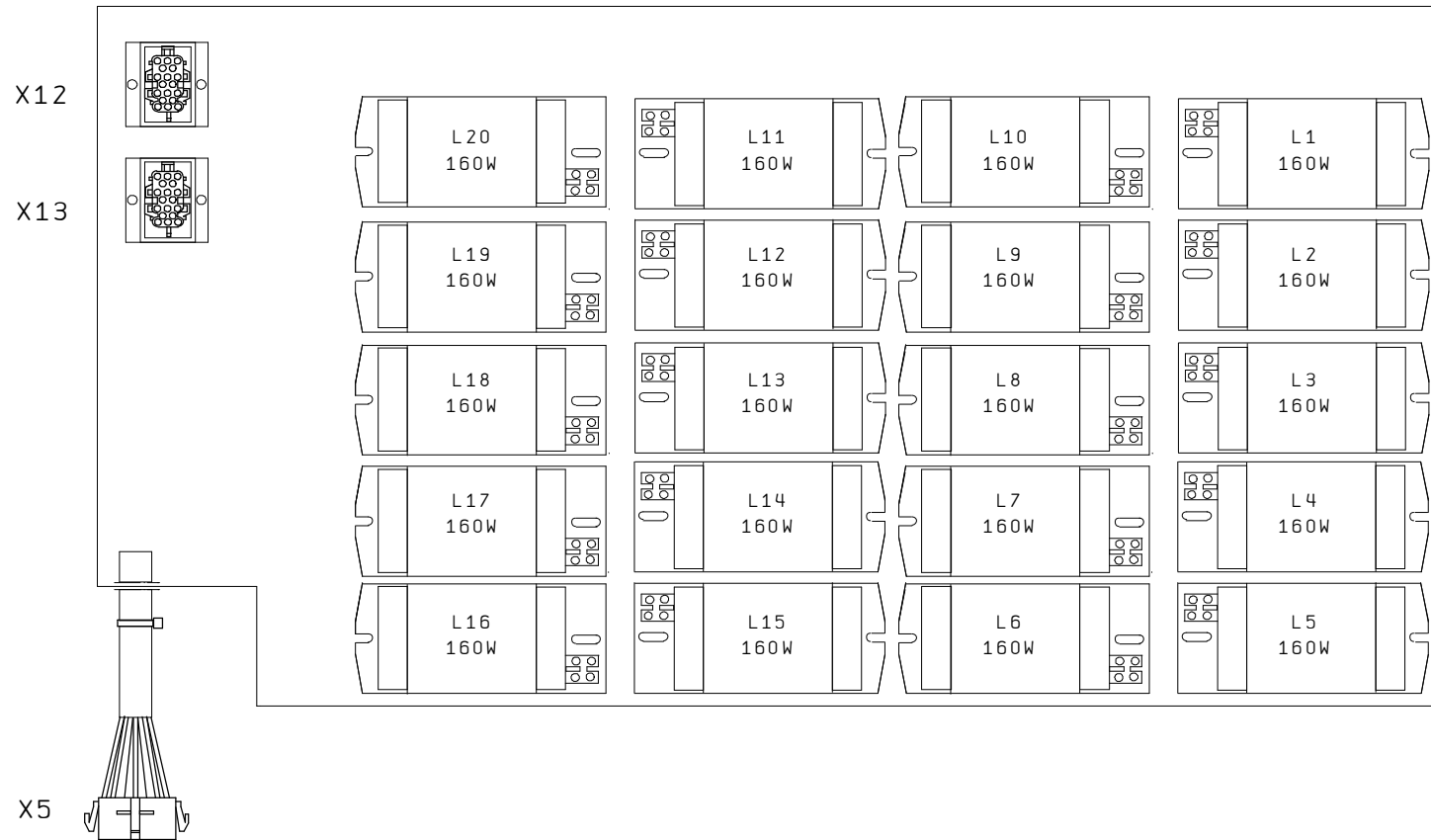


5c

5e

0	1	2	3	4	5	6	7	8	9
	Datum	Typ 7019/148 HD		mounting plate no. 4	uwe GmbH Buchstrasse 82 · Postfach 2020 D-73510 Schwäbisch Gmünd		Z.-Nr.: A7000/459		UWEPLOZ
	Bearb.	Power of Chi					Mat.-Nr.:		
	25. Mai. 2004	Gepr.	18. Okt. 2004	USA	266596		68 B1.		
Änderung	Datum	Name	Norm	Urspr.	Ers. f.	Ers. d.			

mounting plate no. 5

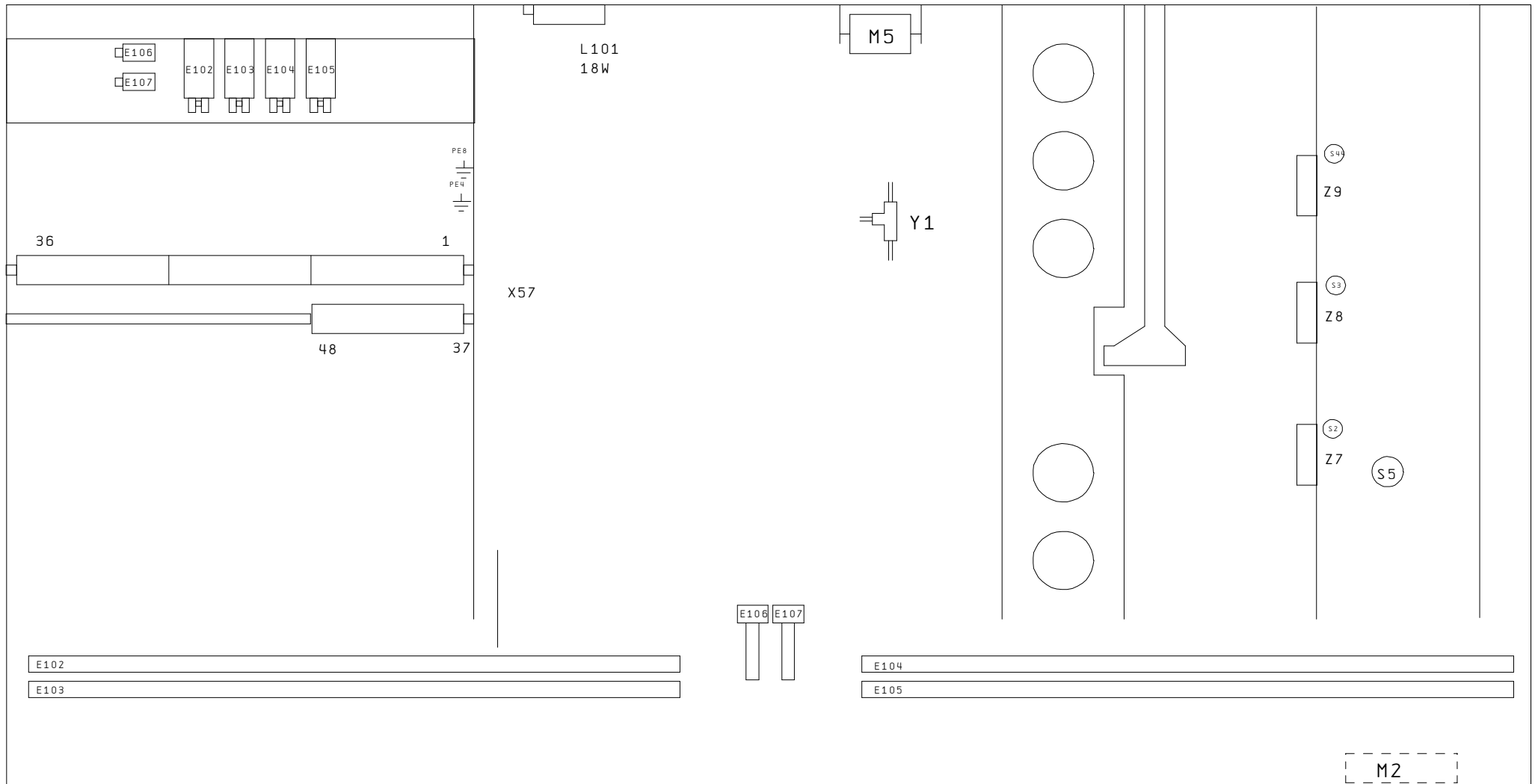


5d

5f


0		1		2		3		4		5		6		7		8		9	
		Datum		Typ 7019/148 HD		mounting plate								Z.-Nr.: A7000/459					UWEPL02
		Bearb.	NOS	Power of Chi		no. 5; base								Mat.-Nr.:					B1. 5e
	25. Mai. 2004	Gepr.	18. Okt. 2004	USA										266596					68 B1.
Anderung	Datum	Name	Norm	Urspr.	Ers. f.	Ers. d.				uwe GmbH Buchstrasse 82 · Postfach 2020 D-73510 Schwäbisch Gmünd									

canopy

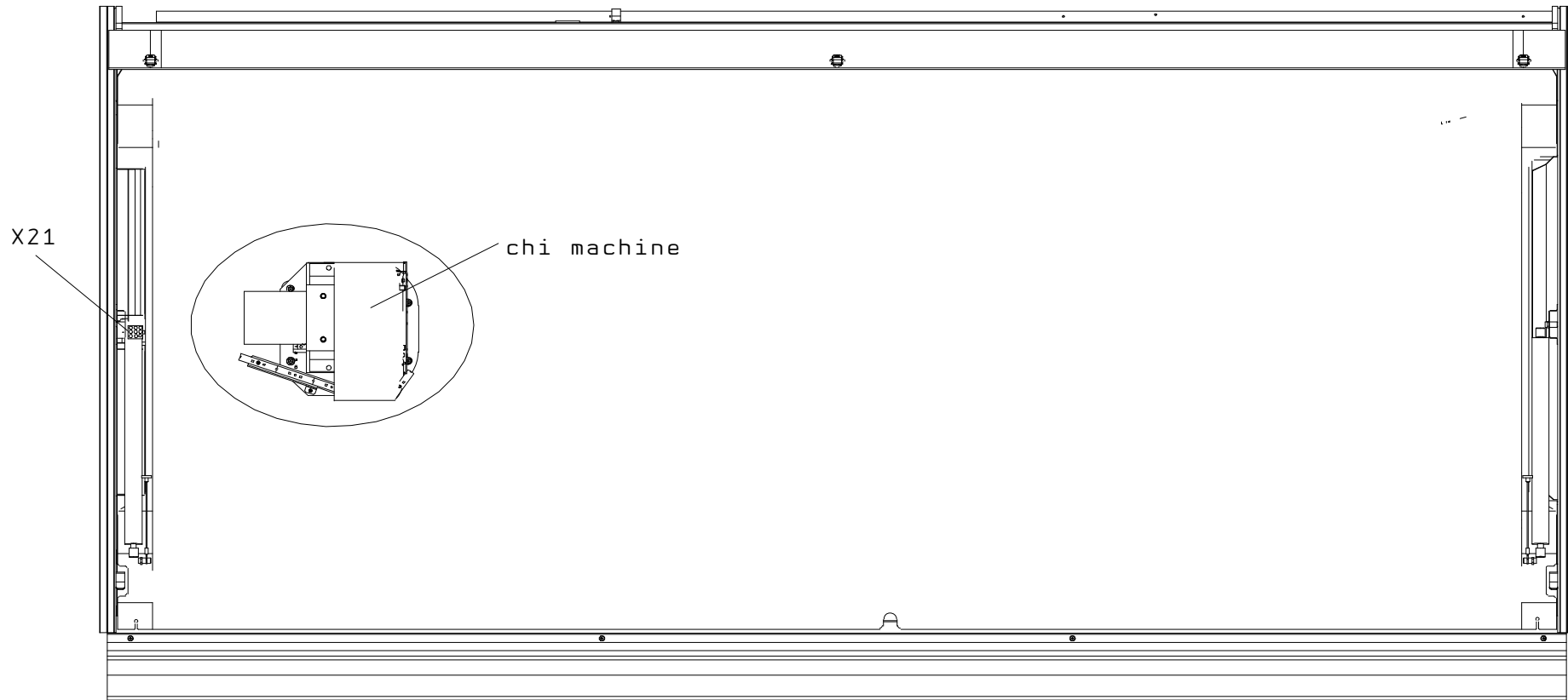


5e

5g

0		1		2		3		4		5		6		7		8		9	
		Datum		Typ 7019/148 HD				canopy						Z.-Nr.: A7000/459				UWEPL02	
		Bearb.	NOS	Power of Chi															
	25. Mai. 2004	Gepr.	18. Okt. 2004	USA															
Änderung	Datum	Name	Norm	Urspr.	Ers. f.	Ers. d.			uwe GmbH Buchstrasse 82 · Postfach 2020 D-73510 Schwäbisch Gmünd				Mat.-Nr.: 266596				B1. 5 f 68 Bl.		

top view base



5f

5h

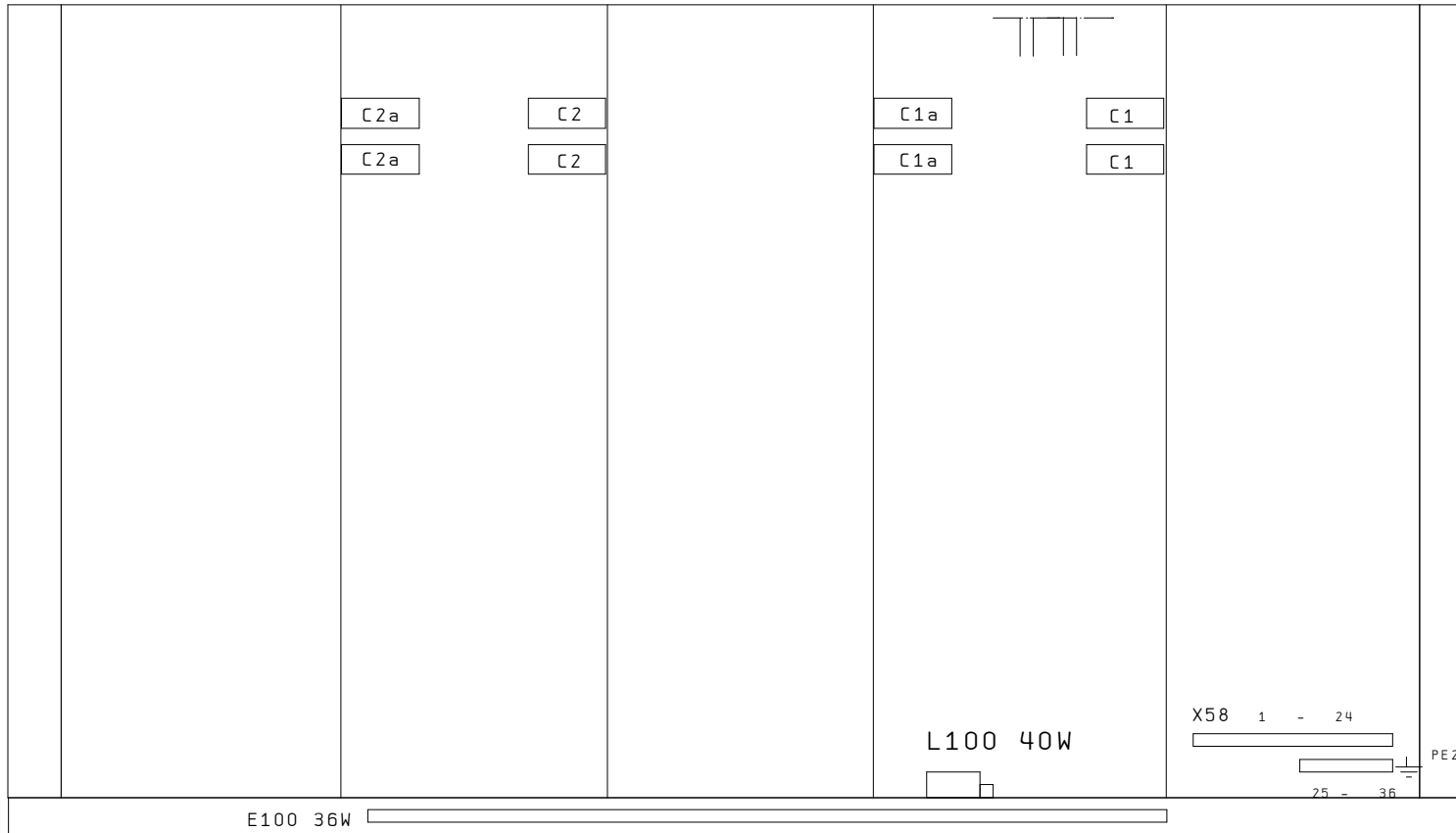
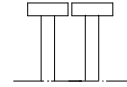
0		1		2		3		4		5		6		7		8		9		
		date		Typ 7019/148 HD				top view base						drawing-no. A7000/459				UWEFLOR4		
		drawn	NOS	Power of Chi										ident. -no. :				page 5g		
	25. Mai. 2004	checked	18. Okt. 2004	USA										266596				68 pages		
modific.	date	name	norm	origin	repl. for	repl. by														

UWE GmbH
 Buchstrasse 82 · Postfach 2020
 D-73510 Schwäbisch Gmünd



bottom view base

X12 X13

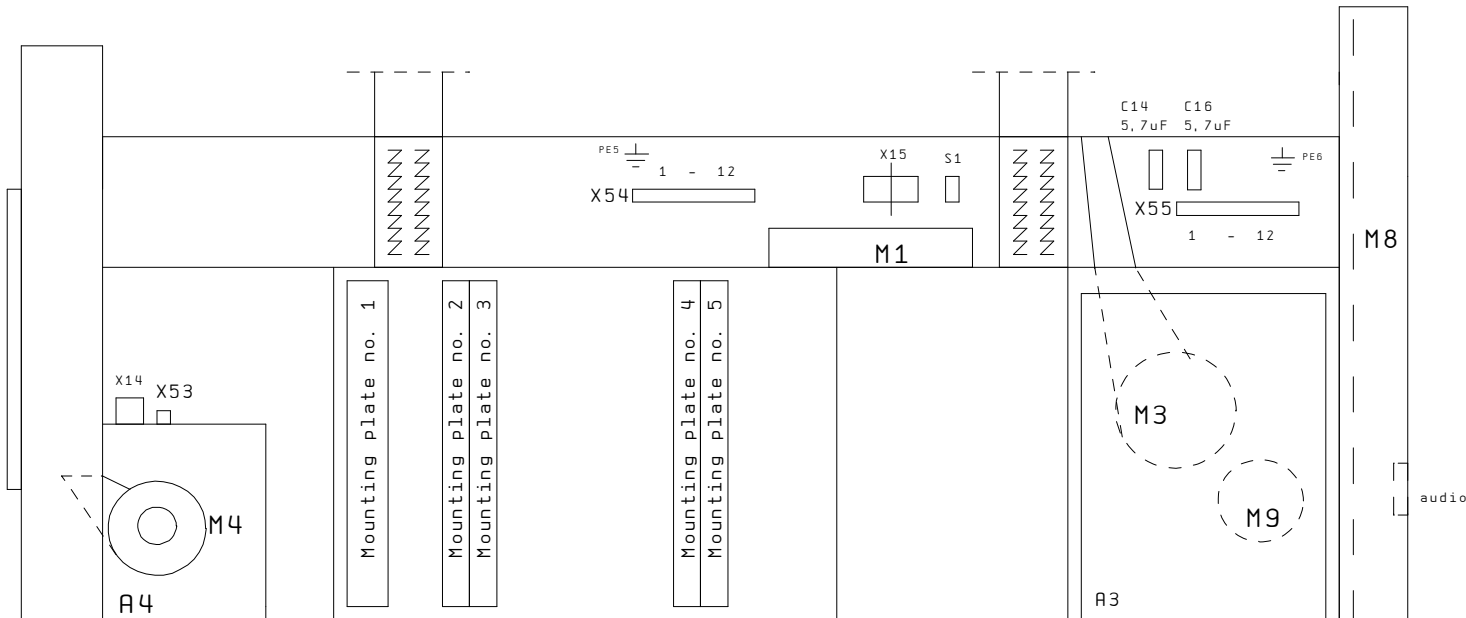
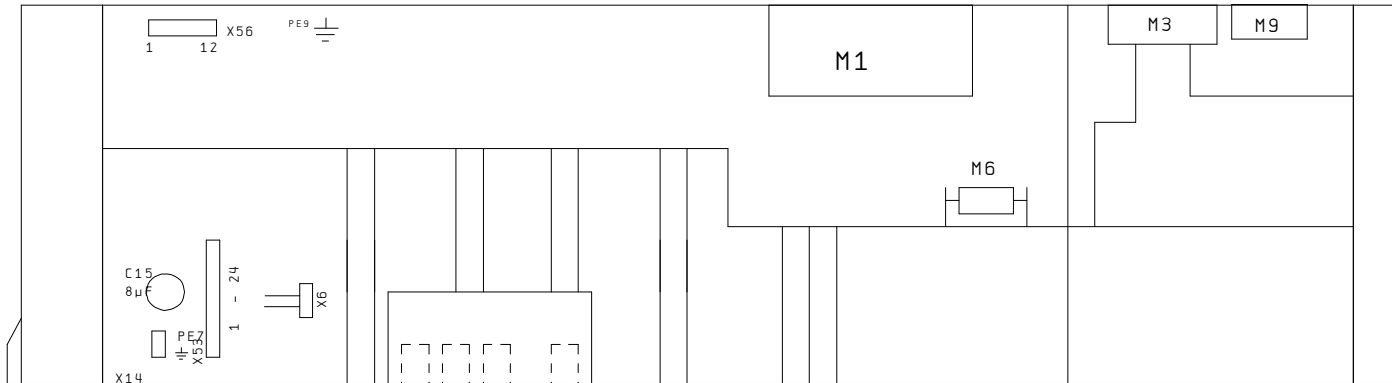


5g

5i

0		1		2		3		4		5		6		7		8		9	
		date		Typ 7019/148 HD				bottom view base						drawing-no. A7000/459				UWEFL0R4	
		drawn	NOS	Power of Chi															
	25. Mai. 2004	checked	18. Okt. 2004	USA														page 5h	
modific.	date	name	norm	origin	repl. for	repl. by			uwe GmbH Buchstrasse 82 · Postfach 2020 D-73510 Schwäbisch Gmünd				ident. -no. : 266596				68 pages		

pedestal housing

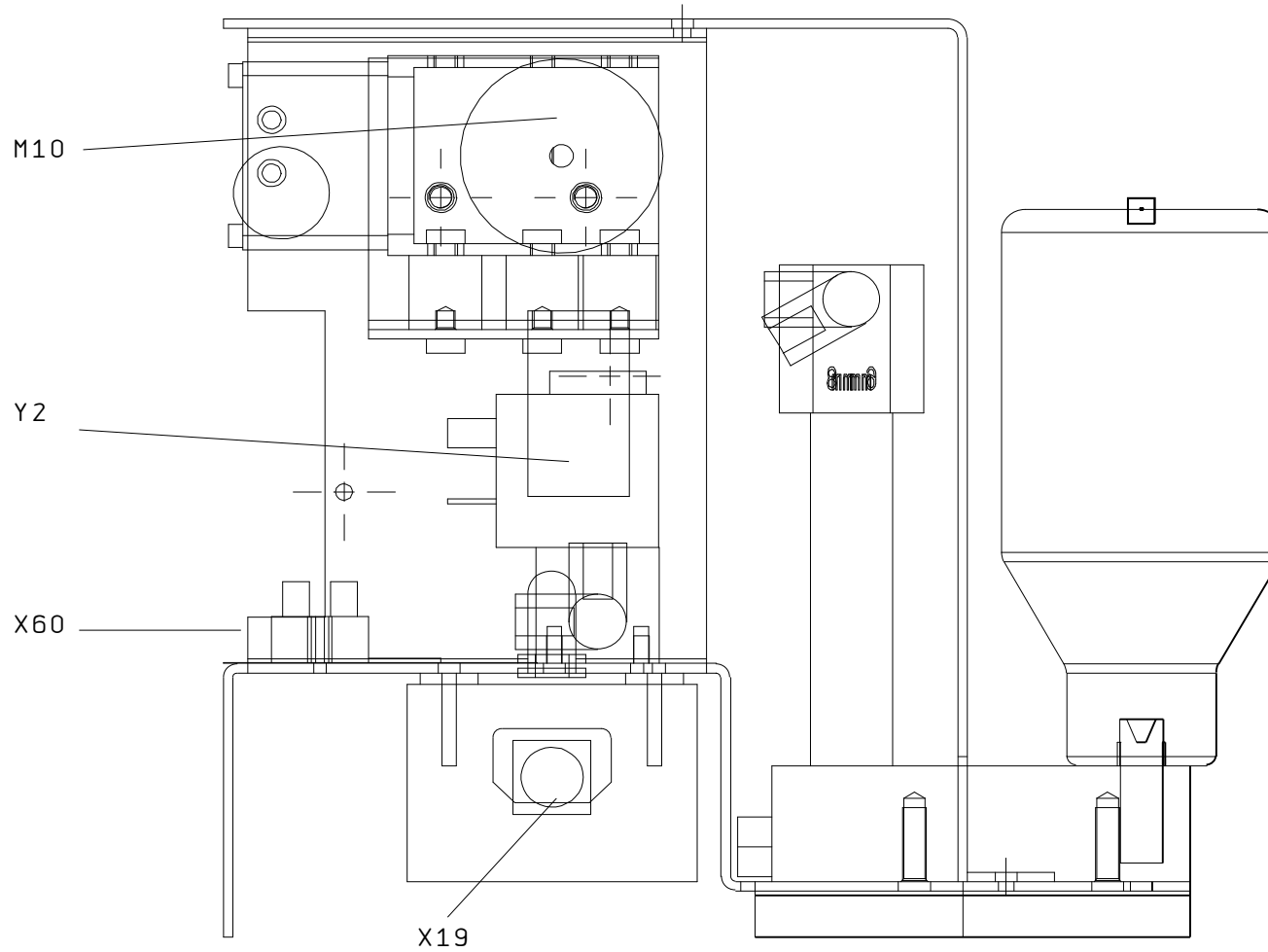


5h

5j

0		1		2		3		4		5		6		7		8		9	
		Datum		Typ 7019/148 HD		pedestal housing								Z.-Nr.: A7000/459				UWEPL02	
		Bearb.	NOS	Power of Chi															
	25. Mai. 2004	Gepr.	18. Okt. 2004	USA															
Anderung	Datum	Name	Norm	Urspr.	Ers. f.	Ers. d.			uwe GmbH Buchstrasse 82 · Postfach 2020 D-73510 Schwäbisch Gmünd		UWE		Mat.-Nr.: 266596				B1. 5i 68 Bl.		

aroma module



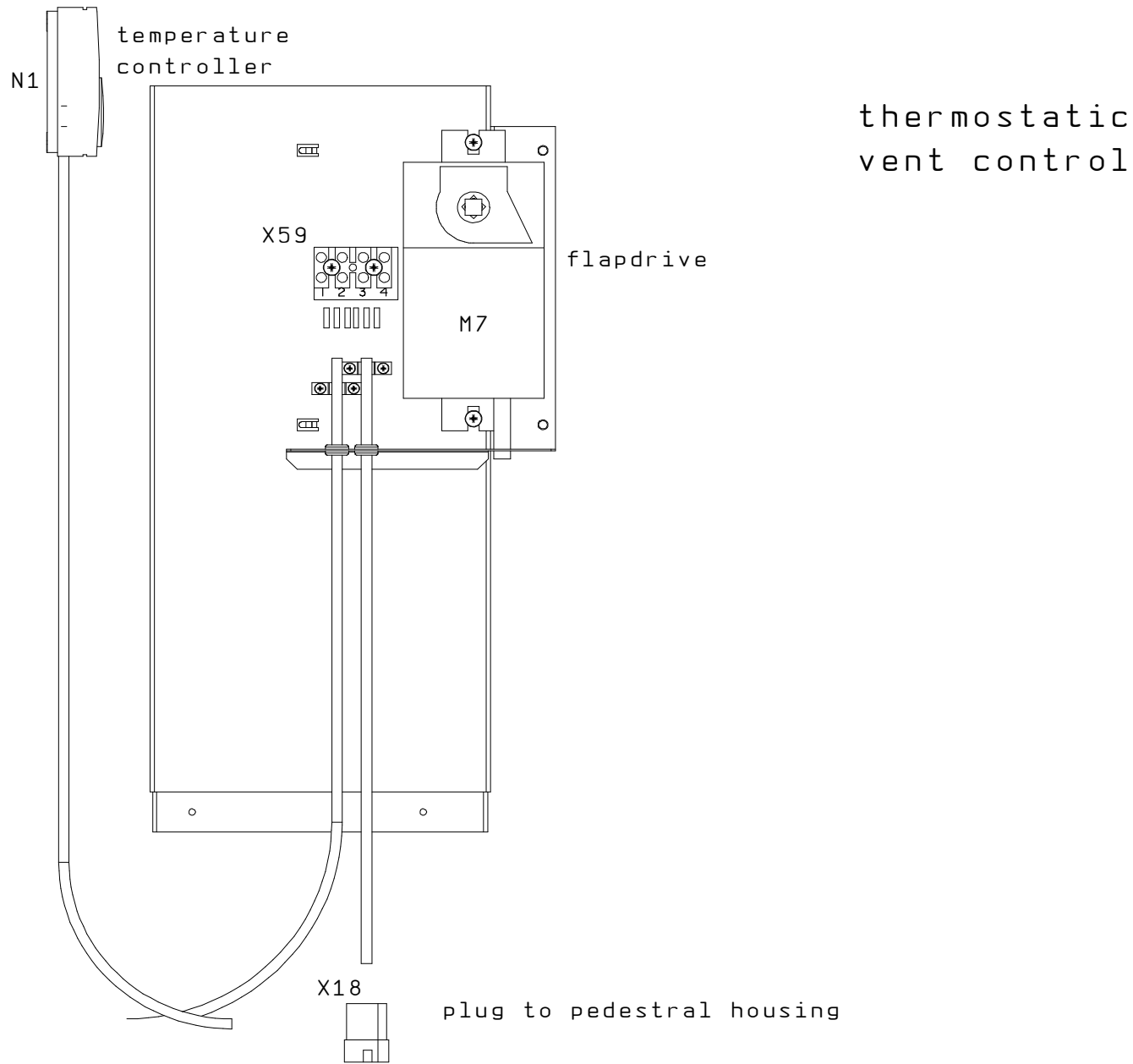
5i

5k

0	1	2	3	4	5	6	7	8	9
	date	Typ 7019/148 HD		aroma module			drawing-no. A7000/459		UWEFL0R4
	drawn	NOS							
	checked	18. Okt. 2004							
25. Mai. 2004			USA						
UWE	UWE								
ident. -no. :									page 5j
266596									68 pages
UWE									

UWE GmbH
 Buchstrasse 82 · Postfach 2020
 D-73510 Schwäbisch Gmünd





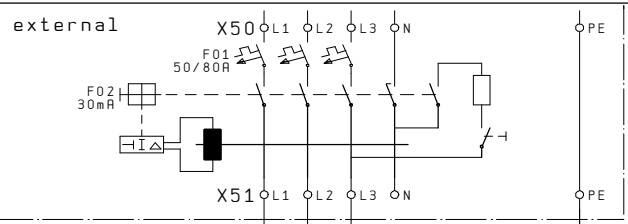
5j

6

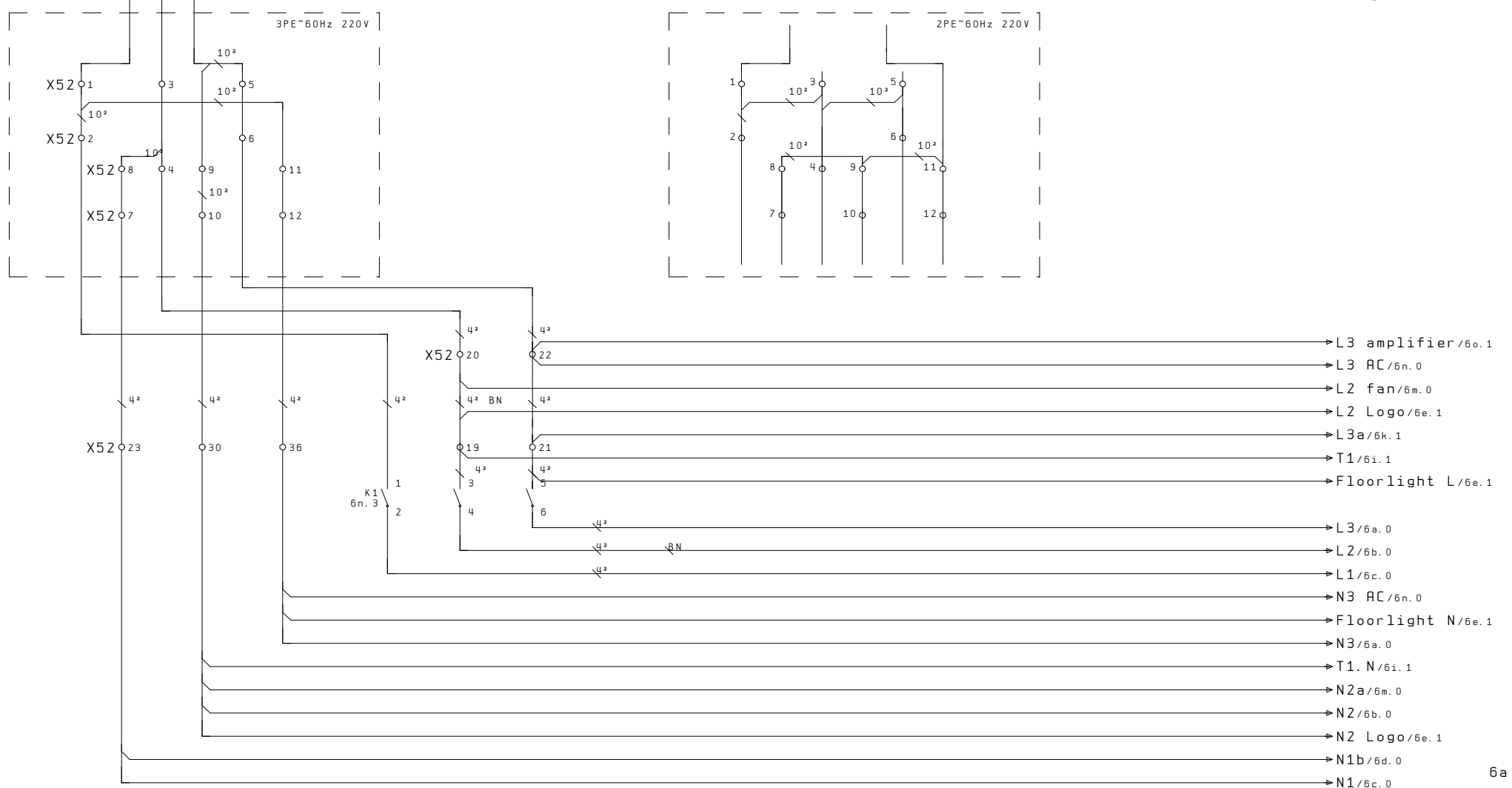
0	1	2	3	4	5	6	7	8	9
	date	Typ 7019/148 HD		thermostatic			drawing-no. A7000/459		UWEFLOR4
	drawn	Power of Chi		vent control					
	checked	USA					ident. -no. :		page 5k
25. Mai. 2004	18. Okt. 2004						266596		68 pages
modific.	date	name	norm	origin	repl. for	repl. by			

UWE GmbH
 Buchstrasse 82 · Postfach 2020
 D-73510 Schwäbisch Gmünd





The external construction. like the fuses, main switch, fault current circuit breaker, have to be arranged by the owner/operator according to the current regulations



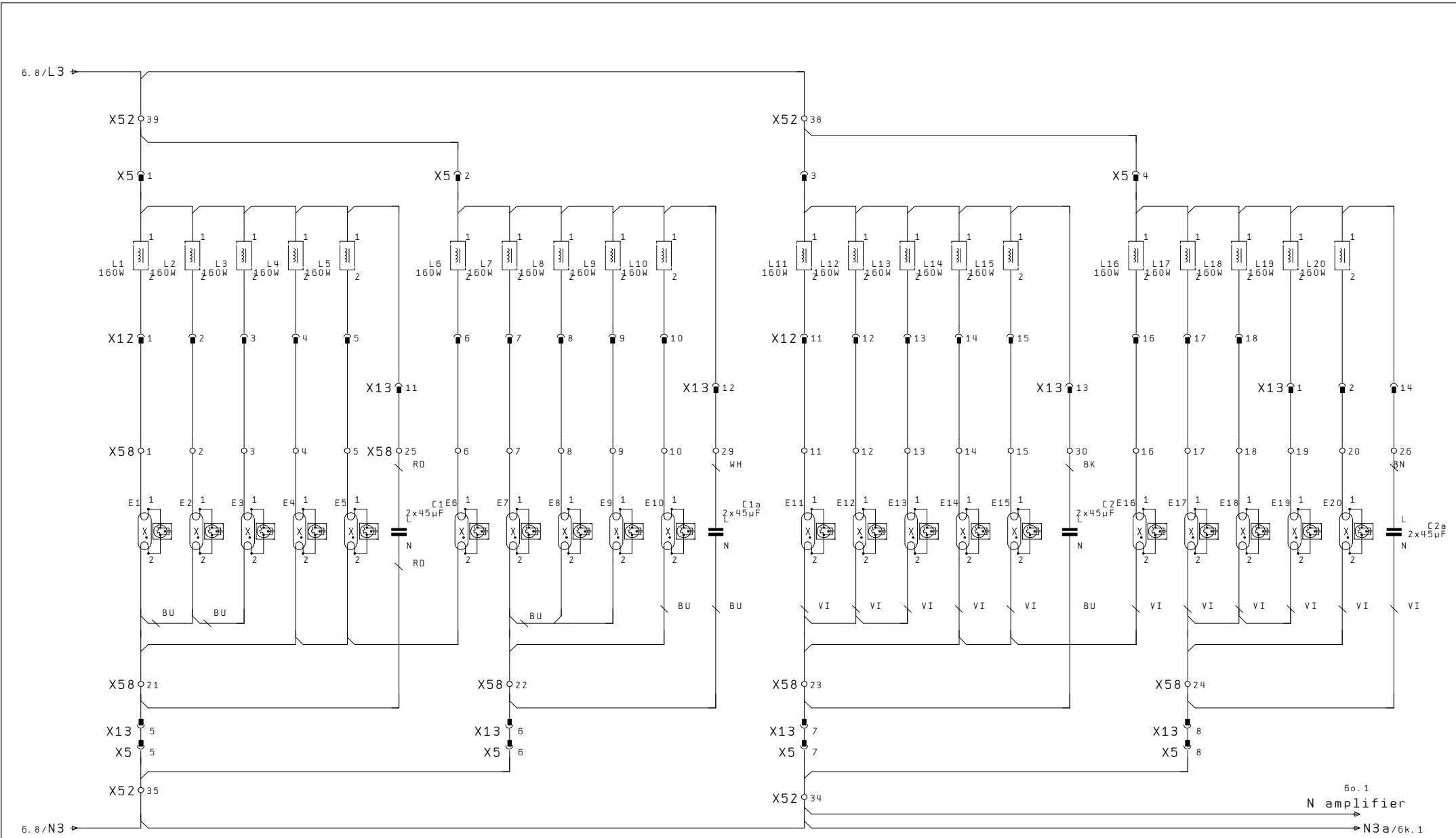
5k

6a

0	1	2	3	4	5	6	7	8	9
				main circuit			drawing-no. A7000/459		UWEFLOR4
		date drawn MAD	Typ 7019/148 HD Power of Chi						
	25. Mai. 2004	checked 18. Okt. 2004	USA						page 6
modific.	date	name	norm	origin	repl. for	repl. by	ident. -no. : 266596		68 pages

UWE GmbH
Buchstrasse 82 · Postfach 2020
D-73510 Schwäbisch Gmünd

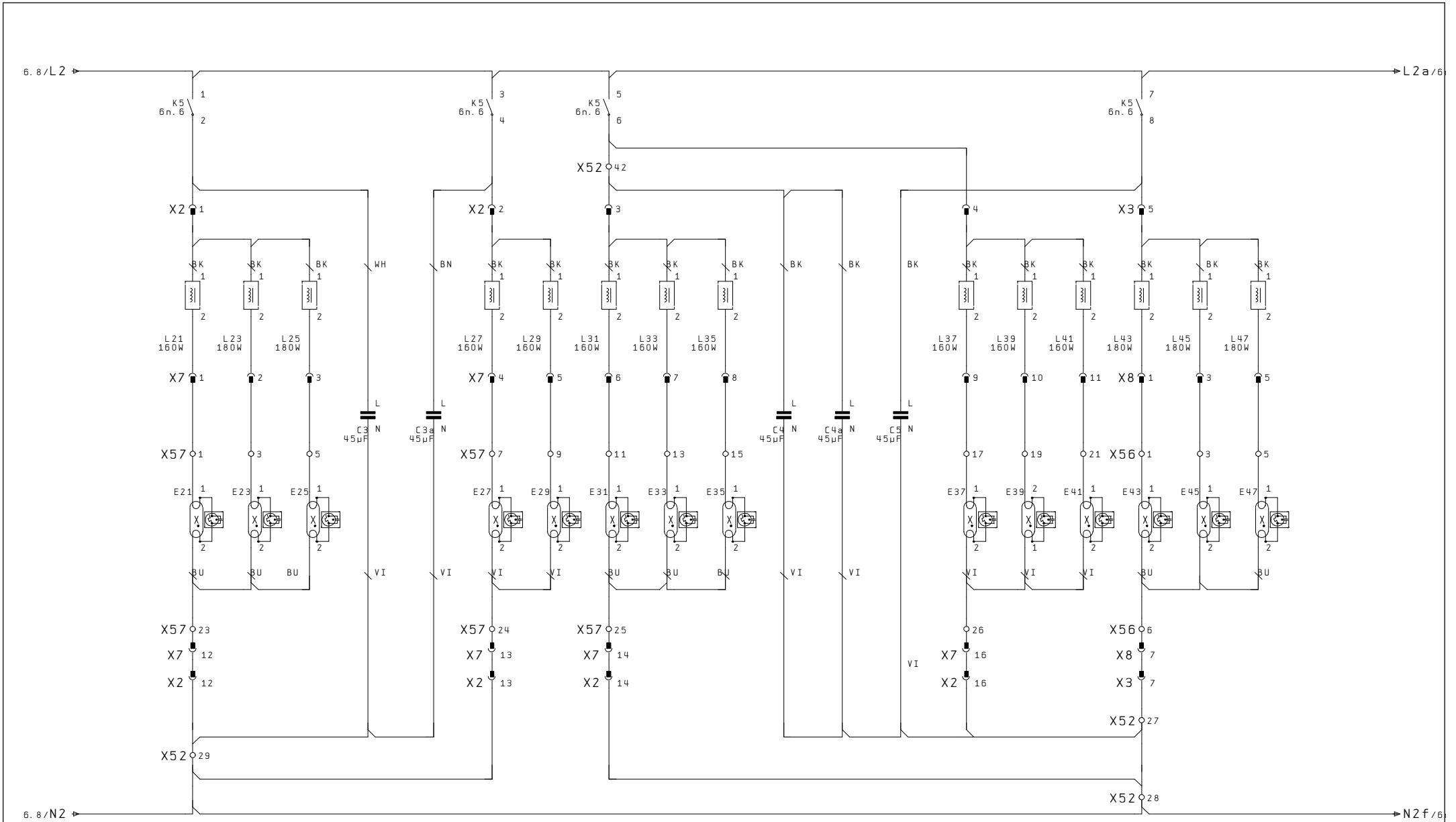




6

6b

0	1	2	3	4	5	6	7	8	9
	date	drawn	MAD	Typ 7019/148 HD Power of Chi USA	base lamps		drawing-no. A7000/459		UWEFLOR4
25. Mai. 2004	checked	18. Okt. 2004				Uwe GmbH Buchstrasse 82 · Postfach 2020 D-73510 Schwäbisch Gmünd	ident. -no. : 266596		page 6a
modific.	date	name	norm	origin	repl. for	repl. by			68 pages



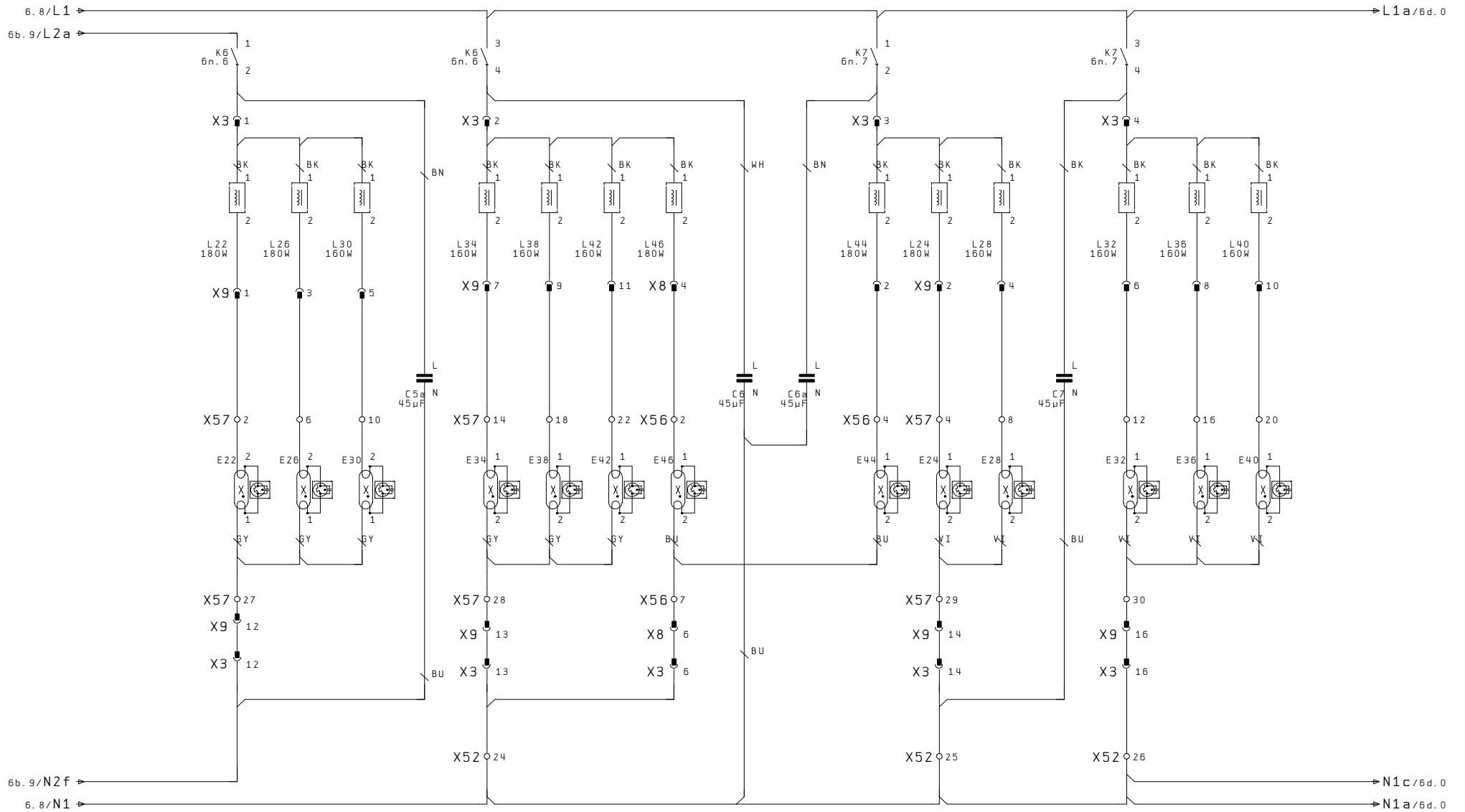
6a

6c

0		1		2		3		4		5		6		7		8		9		
		date		Typ 7019/148 HD		canopy lamps								drawing-no. A7000/459				UWEFLOR4		
		drawn MAD		Power of Chi										ident. -no.:				page 6b		
25. Mai. 2004		checked 18. Okt. 2004		USA										266596				68 pages		
modific.	date	name	norm	origin	repl. for	repl. by														

uwe GmbH
 Buchstrasse 82 · Postfach 2020
 D-73510 Schwäbisch Gmünd





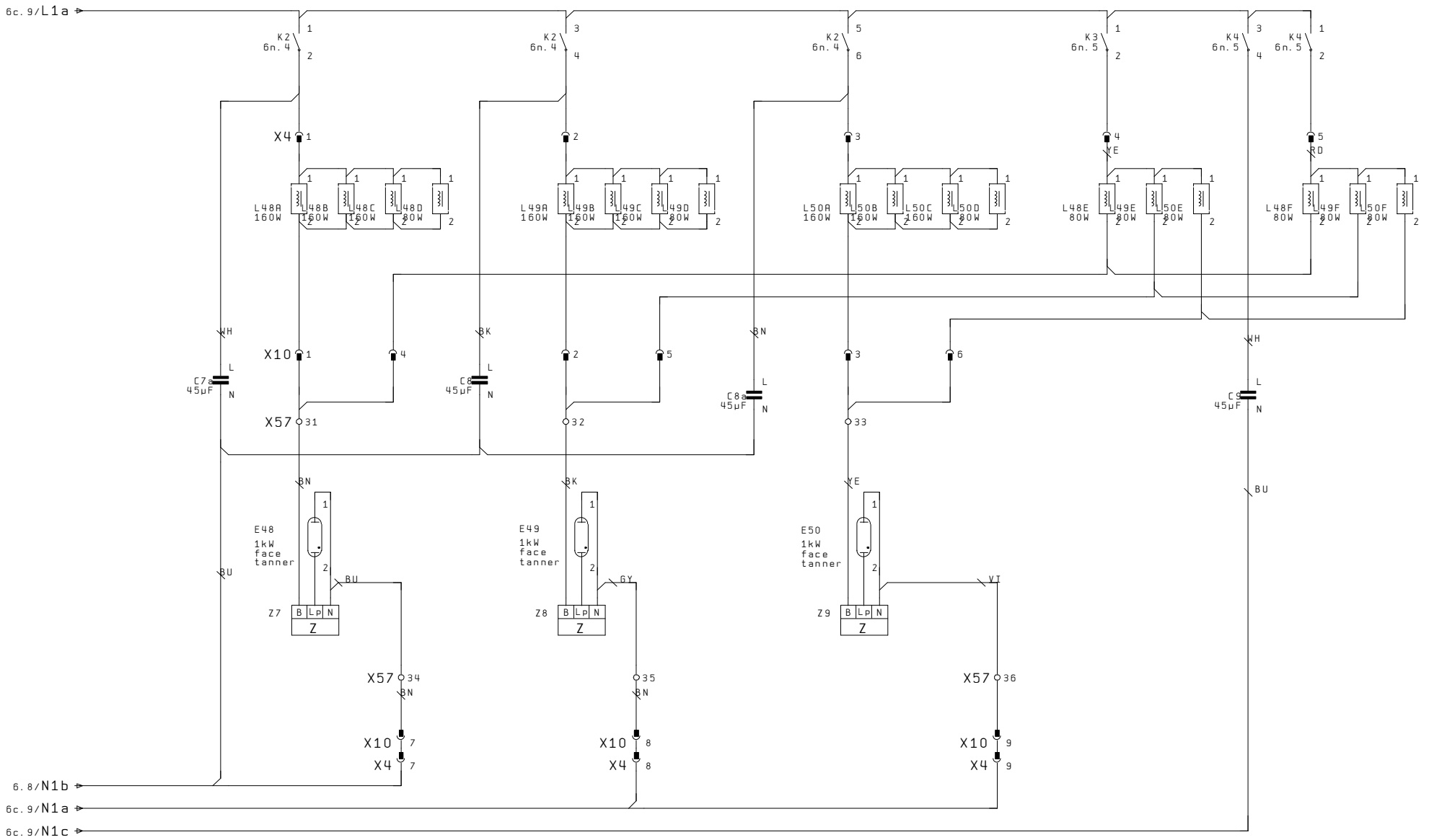
6b

6d

0	1	2	3	4	5	6	7	8	9
	date	Typ 7019/148 HD		canopy lamps		UWE GmbH		drawing-no. A7000/459	
	drawn	NOS	Power of Chi		Buchstrasse 82 · Postfach 2020		ident. - no. :		page 6c
25. Mai. 2004	checked	18. Okt. 2004	USA		D-73510 Schwäbisch Gmünd		266596		68 pages
modific.	date	name	norm	origin	repl. for	repl. by			


UWEFL0R4



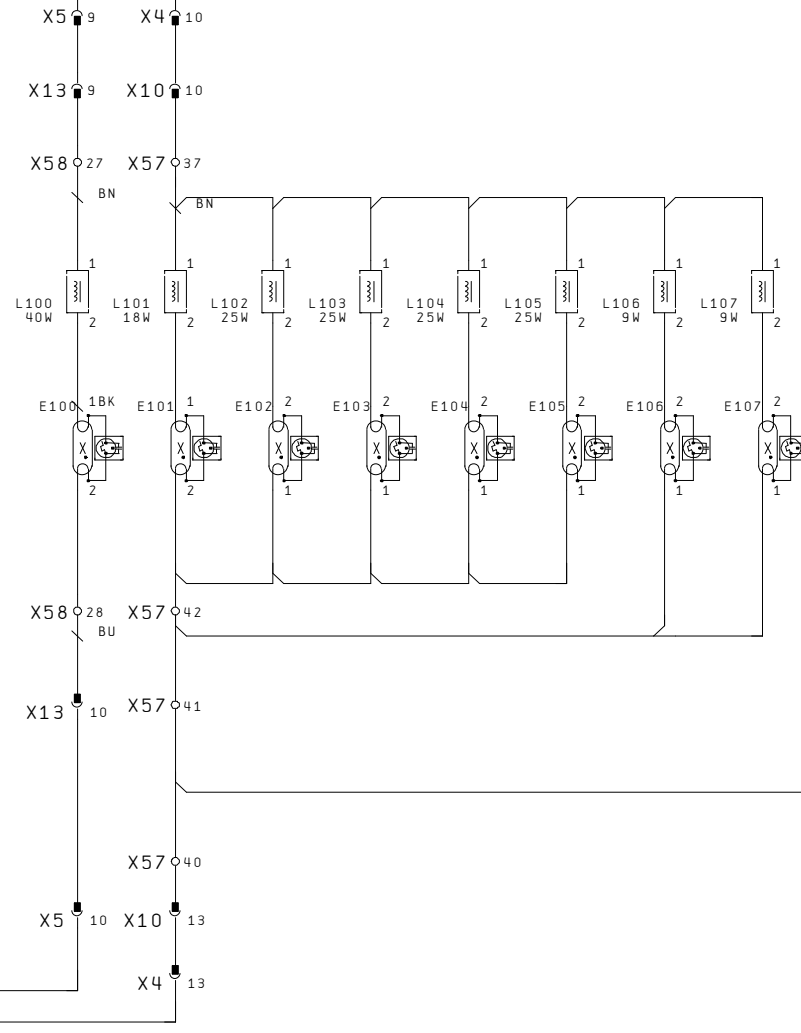


6c

6e

0	1	2	3	4	5	6	7	8	9
	Datum	Typ 7019/148 HD Power of Chi		HP lamps	uwe GmbH Buchstrasse 82 · Postfach 2020 D-73510 Schwäbisch Gmünd 		Z.-Nr.: A7000/459		UWEPL02
	Bearb. NOS	USA					Mat.-Nr.: 266596		
25. Mai. 2004	Gepr. 18. Okt. 2004	Urspr.	Ers. f.	Ers. d.					68 B1.

6.8/L2 Logo
6.8/Floorlight L



→ N2e/6f.2

6d

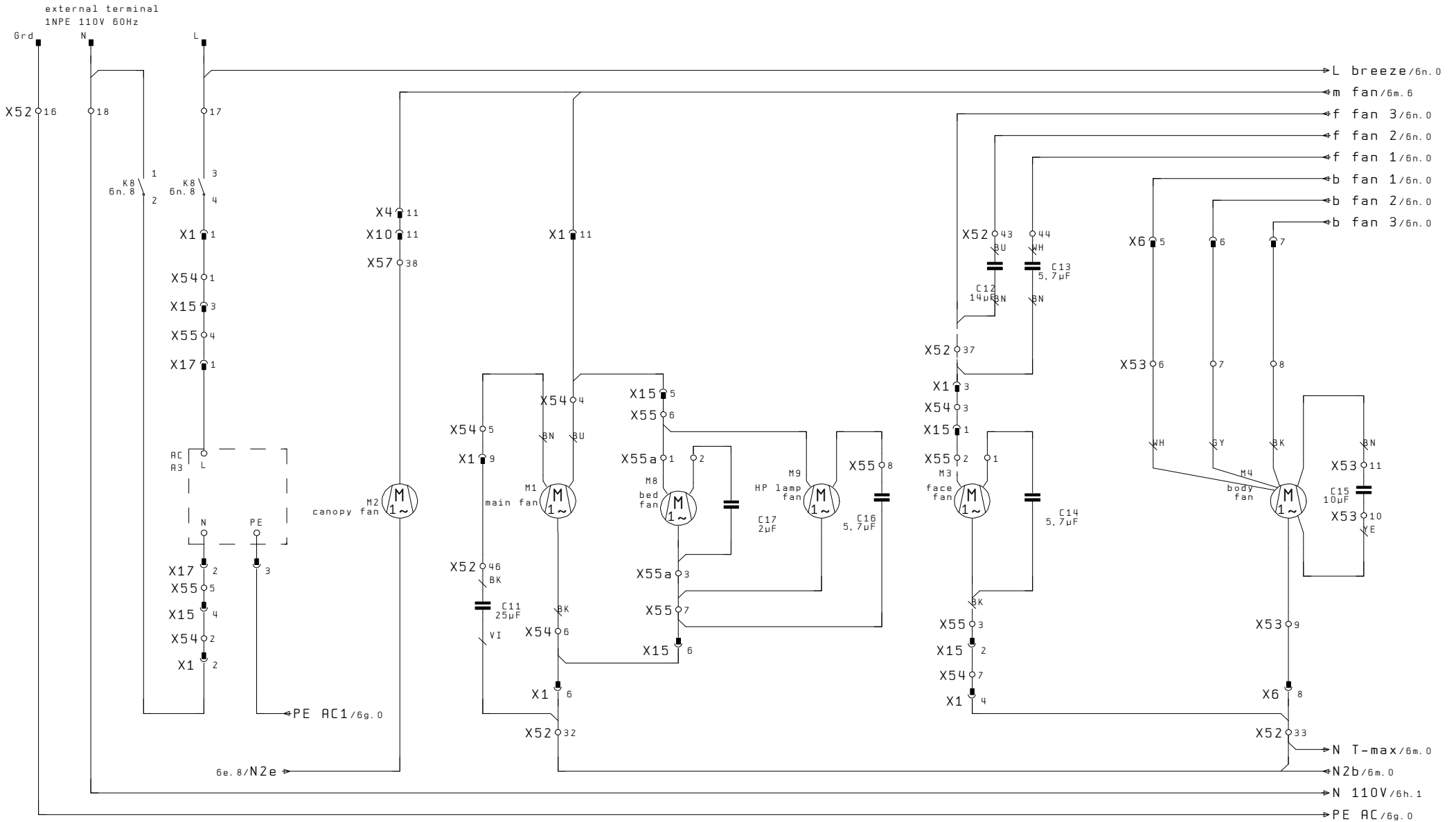
6f

0	1	2	3	4	5	6	7	8	9
	date	Typ 7019/148 HD		light effects			drawing-no. A7000/459		UWEFLOR4
	drawn	Power of Chi							
	checked	USA							
25. Mai. 2004	18. Okt. 2004						ident. -no. :		page 6e
modific.	date	name	norm	origin	repl. for	repl. by	266596		68 pages

UWE GmbH
Buchstrasse 82 · Postfach 2020
D-73510 Schwäbisch Gmünd



The external construction, like the fuses, main switch, fault current circuit breaker, have to be arranged by the owner/operator according to the current regulations



6e

6g

0		1		2		3		4		5		6		7		8		9	
		date		Typ 7019/148 HD		fan circuit													
		drawn	NOS	Power of Chi															
	25. Mai. 2004	checked	18. Okt. 2004	USA															
modific.	date	name	norm	origin	repl. for	repl. by													
														UWEFLOR4					
														drawing-no. A7000/459					
														ident. -no. : 266596		page 6 f			
																68 pages			

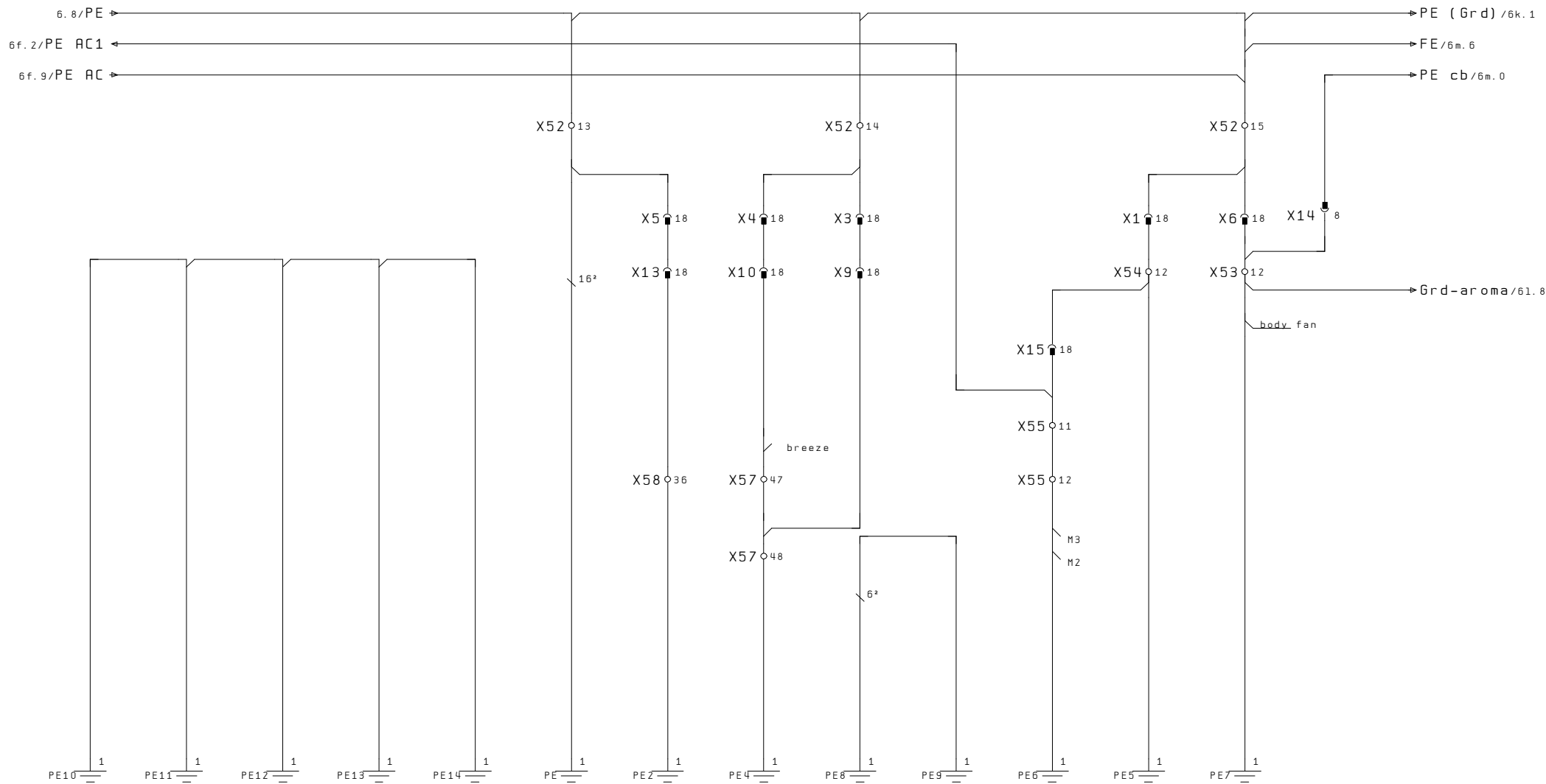
uwe GmbH
Buchstrasse 82 · Postfach 2020
D-73510 Schwäbisch Gmünd



drawing-no. A7000/459

ident. -no. : 266596

page 6 f
68 pages



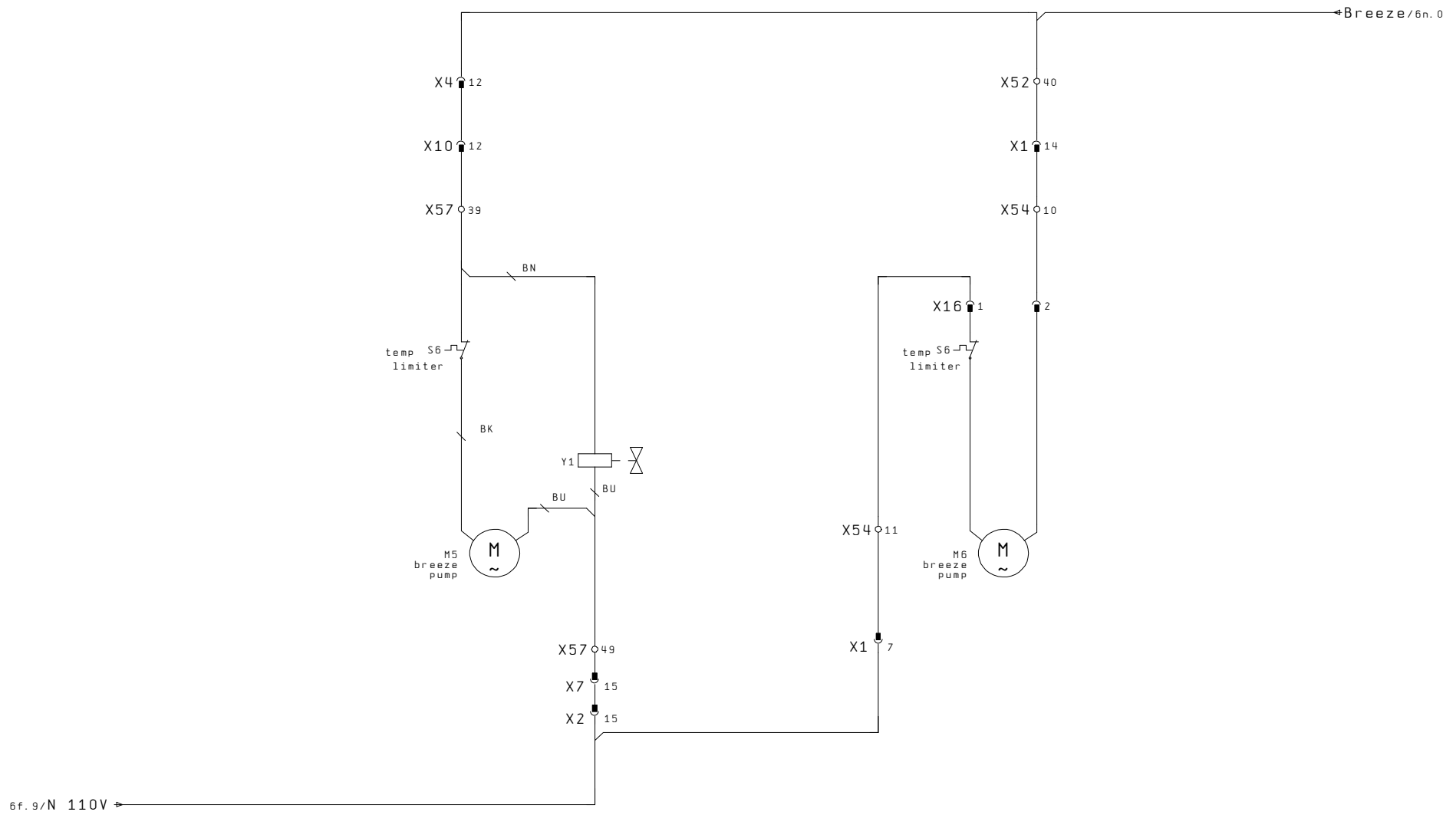
6f

6h

0	1	2	3	4	5	6	7	8	9
	date	Typ 7019/148 HD		PE			drawing-no. A7000/459		UWEFLOR4
	drawn	NOS		Power of Chi					
	25. Mai. 2004	checked	18. Okt. 2004	USA					
modific.	date	name	norm	origin	repl. for	repl. by	ident. -no. :		page 6g
							266596		68 pages

uwe GmbH
 Buchstrasse 82 · Postfach 2020
 D-73510 Schwäbisch Gmünd





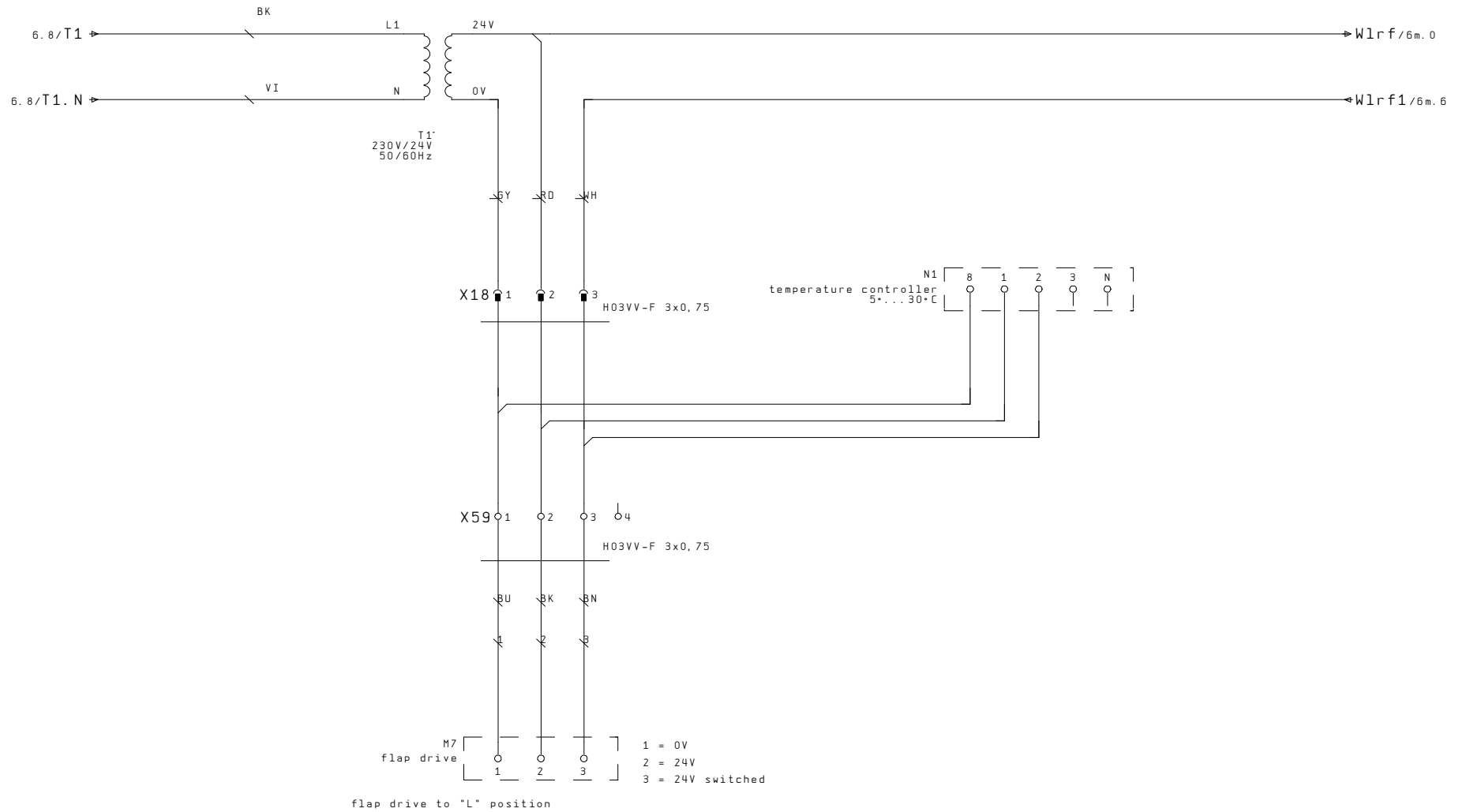
6g

6i

0	1	2	3	4	5	6	7	8	9
	date	Typ 7019/148 HD		breeze			drawing-no. A7000/459		UWEFL0R4
	drawn	Power of Chi							
	25. Mai. 2004	USA					ident. -no. :		page 6h
modific.	date	name	norm	origin	repl. for	repl. by	266596		68 pages
		checked	18. Okt. 2004						

uwe GmbH
 Buchstrasse 82 · Postfach 2020
 D-73510 Schwäbisch Gmünd





6h

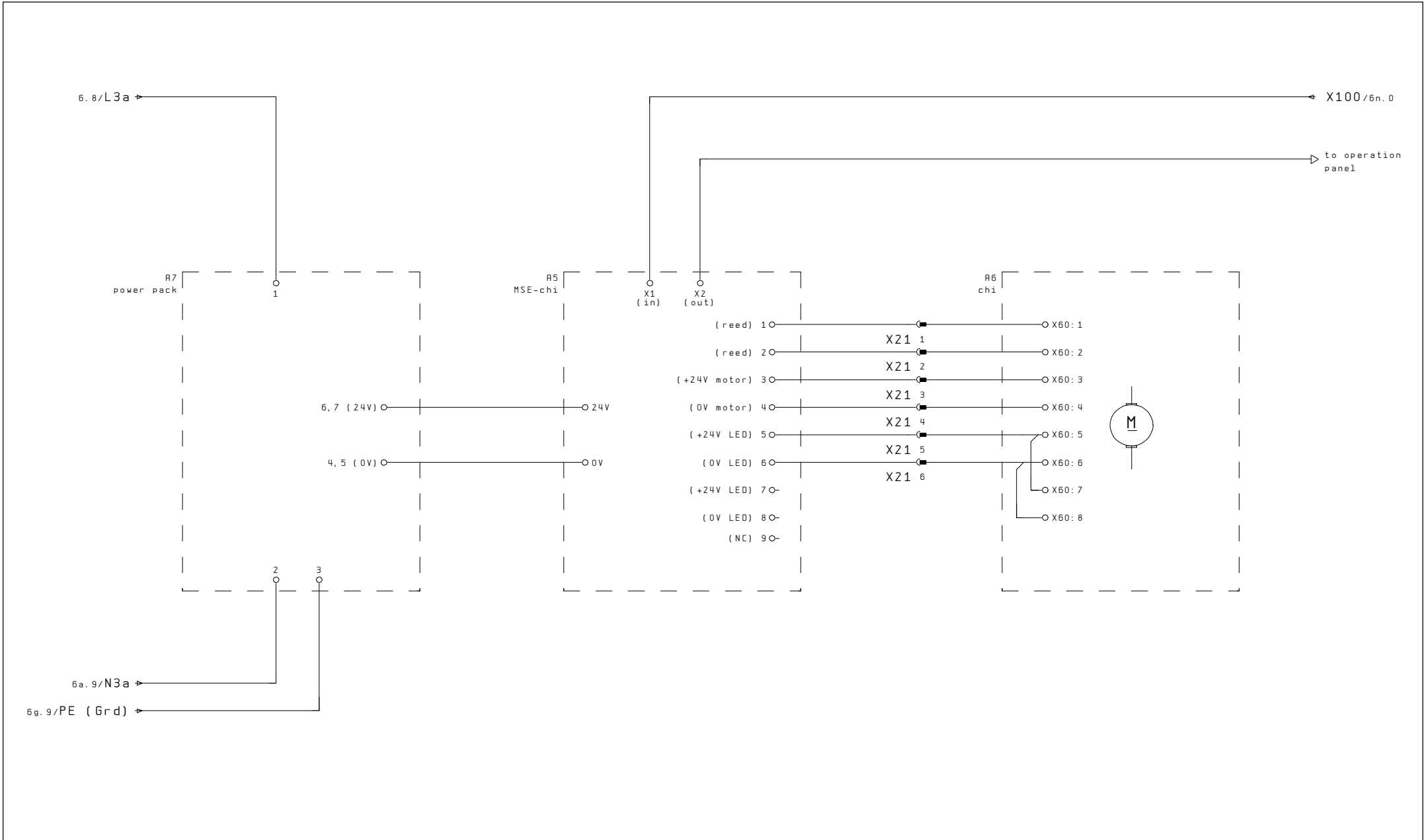
6j

0	1	2	3	4	5	6	7	8	9
	date	Typ 7019/148 HD		vent control			drawing-no. A7000/459		UWEFLOR4
	drawn	NOS	Power of Chi						
25. Mai. 2004	checked	18. Okt. 2004	USA				ident. -no. :		page 6i
modific.	date	name	norm	origin	repl. for	repl. by	266596		68 pages

UWE GmbH
Buchstrasse 82 · Postfach 2020
D-73510 Schwäbisch Gmünd



ident. -no. :
266596



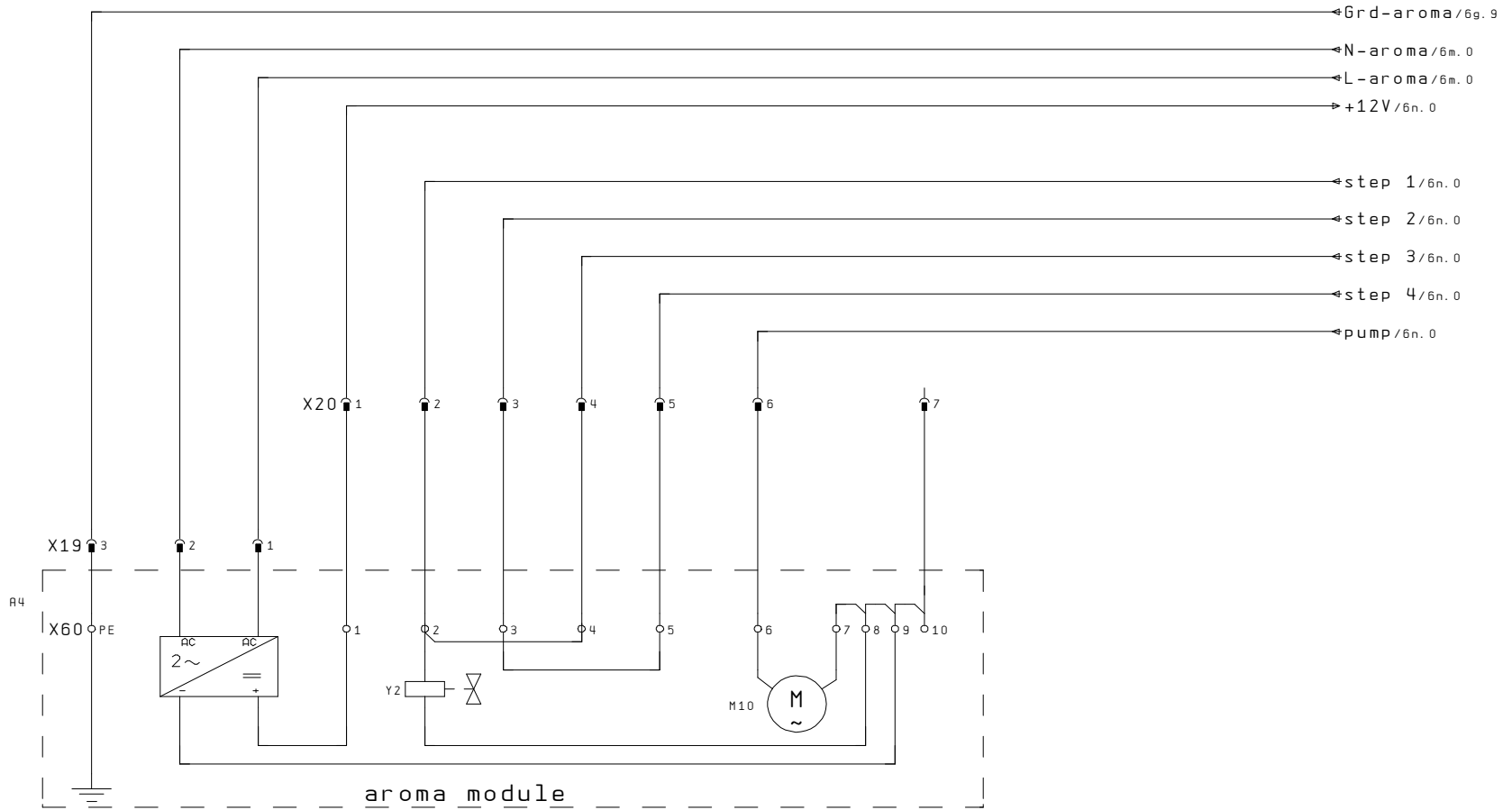
6j

61

0		1		2		3		4		5		6		7		8		9	
		date		Typ 7019/148 HD				chi machine						drawing-no. A7000/459				UWEFL0R4	
		drawn		Power of Chi															
		NOS		USA															
25. Mai. 2004		checked		18. Okt. 2004										ident. -no. :				page 6k	
modific.		date		name		norm		origin		repl. for		repl. by		266596				68 pages	

UWE GmbH
 Buchstrasse 82 · Postfach 2020
 D-73510 Schwäbisch Gmünd

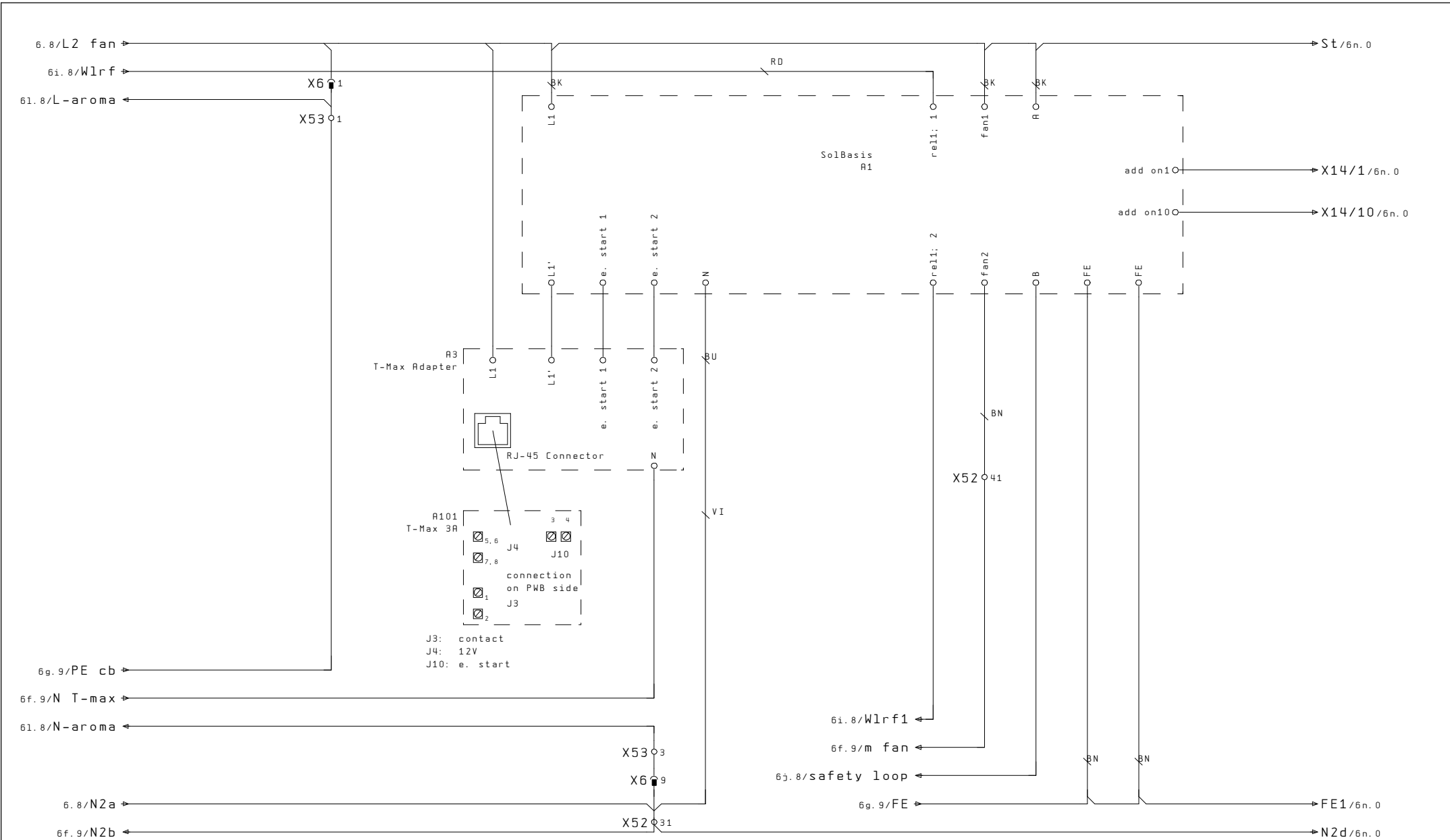




6k

6m

0	1	2	3	4	5	6	7	8	9
	date	Typ 7019/148 HD			aroma module		drawing-no. A7000/459		UWEFL0R4
	drawn	NOS	Power of Chi			uwe GmbH		ident. -no. :	
	checked	18. Okt. 2004	USA			Buchstrasse 82 · Postfach 2020		page 61	
25. Mai. 2004	checked	18. Okt. 2004	origin	repl. for	repl. by	D-73510 Schwäbisch Gmünd		266596	
modific.	date	name	norm			UWE		68 pages	



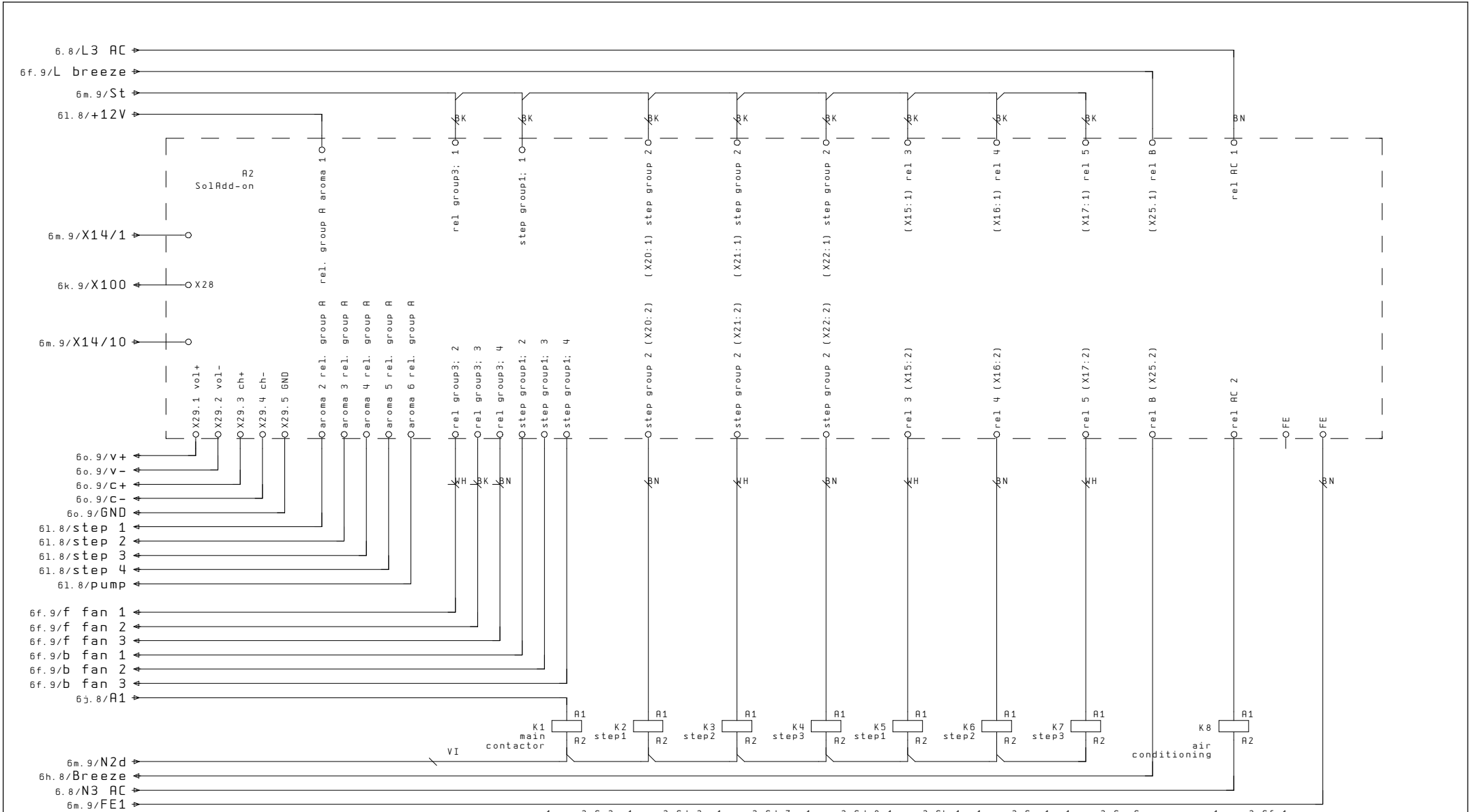
61

6n

0	1	2	3	4	5	6	7	8	9
	date	Typ 7019/148 HD Power of Chi		control circuit			drawing-no. A7000/459		UWEFL0R4
	drawn	MAD					ident. -no. :		page 6m
25. Mai. 2004	checked	18. Okt. 2004	USA				266596		68 pages
modific.	date	name	norm	origin	repl. for	repl. by			

UWE GmbH
 Buchstrasse 82 · Postfach 2020
 D-73510 Schwäbisch Gmünd



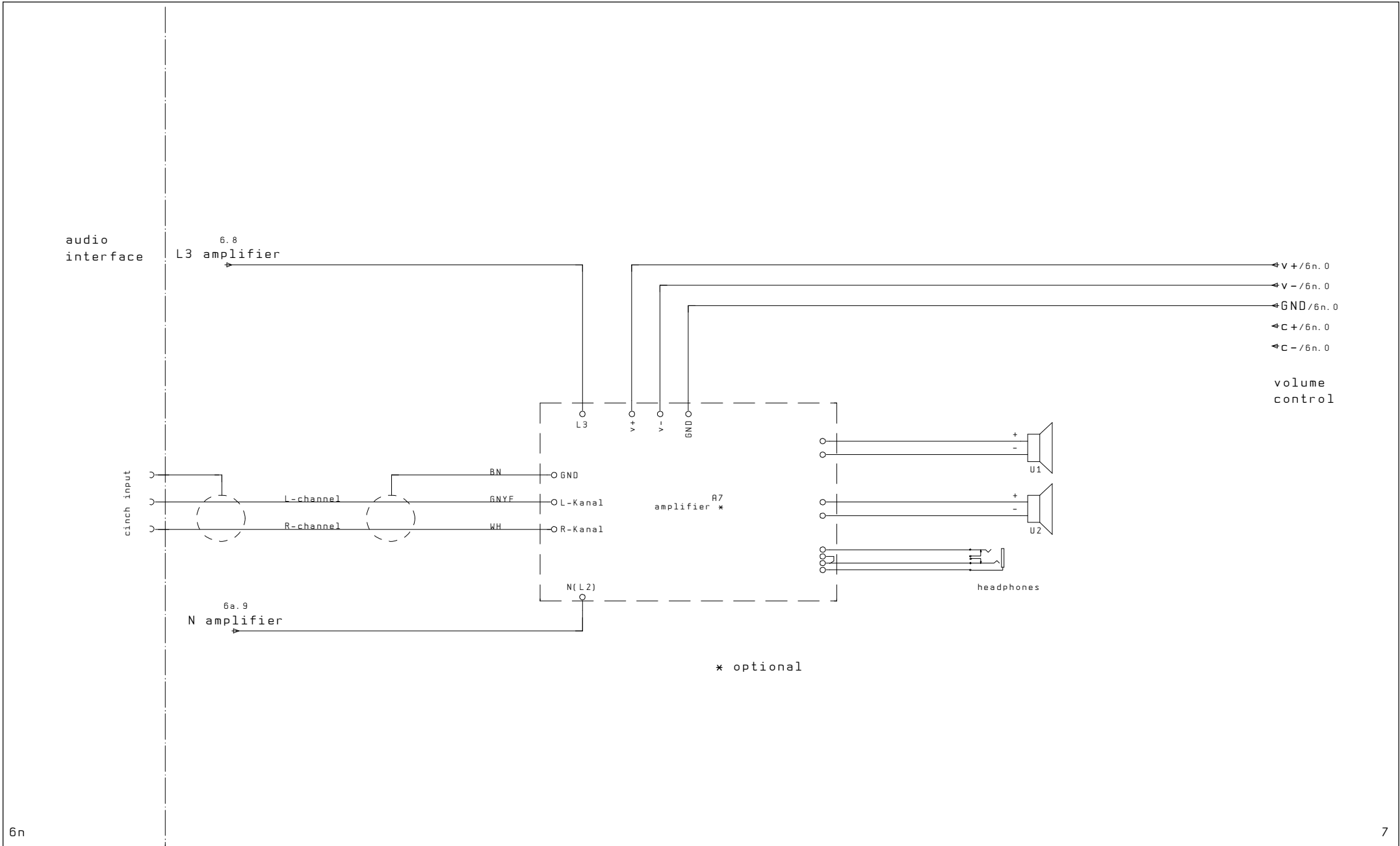


1 → 2 6.2 1 → 2 6d.2 1 → 2 6d.7 1 → 2 6d.8 1 → 2 6b.1 1 → 2 6c.1 1 → 2 6c.6 1 → 2 6f.1
 3 → 4 6.3 3 → 4 6d.4 3 → 4 6d.8 3 → 4 6b.3 3 → 4 6c.3 → 6c.7 3 → 4 6f.1
 5 → 6 6.3 5 → 6 6d.5 5 → 6 6b.4 5 → 6 6b.4
 7 → 8 6b.7

6m		1		2		3		4		5		6		7		8		9	
		date		Typ 7019/148 HD		control circuit								drawing-no. A7000/459				UWEFL0R4	
		drawn NOS		Power of Chi										ident. -no.:				page 6n	
25. Mai. 2004		checked 18. Okt. 2004		USA										266596				68 pages	
modific. date		name norm		origin		repl. for		repl. by											

UWE GmbH
 Buchstrasse 82 · Postfach 2020
 D-73510 Schwäbisch Gmünd





0	1	2	3	4	5	6	7	8	9
	date	Typ 7019/148 HD		audio			drawing-no. A7000/459		UWEFL0R4
	drawn	NOS	Power of Chi						
	25. Mai. 2004	checked	18. Okt. 2004	USA			ident. -no. :		page 60
modific.	date	name	norm	origin	repl. for	repl. by	266596		68 pages

uwe GmbH
 Buchstrasse 82 · Postfach 2020
 D-73510 Schwäbisch Gmünd



drawing-no. A7000/459
 ident. -no. :
 266596

page 60
 68 pages

terminal diagram

identification terminal block X3	cabelname		cabeltype		connection		finish designation		device connection		bridges		terminal number		connection		finish designation		page/path	
	BK		X		L22 1		K6 2						1		L22 1		K6 2		6c. 1	
			X		L34 1		K6 4						2		L34 1		K6 4		6c. 3	
			X		L44 1		K7 2						3		L44 1		K7 2		6c. 6	
			X		L32 1		K7 4						4		L32 1		K7 4		6c. 7	
			X		L43 1		K5 8						5		L43 1		K5 8		6b. 7	
					X8 6		X52 24						6		X8 6		X52 24		6c. 4	
					X8 7		X52 27						7		X8 7		X52 27		6b. 7	
					X9 12		X52 28						12		X9 12		X52 28		6c. 1	
					X9 13		X52 24						13		X9 13		X52 24		6c. 3	
					X9 14		X52 25						14		X9 14		X52 25		6c. 6	
					X9 16		X52 26						16		X9 16		X52 26		6c. 7	
				X9 18		X52 14						18		X9 18		X52 14		6g. 5		

0		1		2		3		4		5		6		7		8		9	
		date		10. Feb. 2004		Typ 7019/148 HD		X3						drawing-no. A7000/459				UWEFL0R4	
		drawn		NOS		Power of Chi													
25. Mai. 2004		checked		18. Okt. 2004		USA												page 9	
modific. date		name		norm		origin		repl. for		repl. by				ident. -no. : 266596				68 pages	

uwe GmbH
 Buchstrasse 82 · Postfach 2020
 D-73510 Schwäbisch Gmünd



terminal diagram

identification terminal block X4	cabelname	WX4/X52																		
	cabeltype	1x																		
	finish designation	K2	2																	
	device connection																			
	bridges																			
	terminal number	1	2	3	4	5	7	8	9	10	11	12	13	14	16	18				
	connection	1	1	1	1	1	7	8	9	10	11	12	13	45	16	18				
	finish designation	L48R	L49R	L50R	L48E	L48F	X10	X10	X10	X10	X10	X10	X10	X52	X10	X10				
	connection																			
	finish designation																			
	cabelname																			
	cabeltype																			
	YE																			
	RD				X	X														
	function text																			
	page/path	6d. 2	6d. 4	6d. 5	6d. 7	6d. 8	6d. 2	6d. 4	6d. 6	6e. 4	6f. 2	6h. 3	6e. 4	6j. 2	6j. 2	6g. 4				

0		1		2		3		4		5		6		7		8		9	
date	10. Feb. 2004	drawn	NOS	date	10. Feb. 2004	checked	NOS	date	10. Feb. 2004	checked	NOS	date	10. Feb. 2004	checked	NOS	date	10. Feb. 2004	checked	NOS
date	25. Mai. 2004	checked	18. Okt. 2004	origin	USA	repl. for		repl. by	X4	uwe GmbH Buchstrasse 82 · Postfach 2020 D-73510 Schwäbisch Gmünd		drawing-no. A7000/459		ident. -no. : 266596		page 10 pages 68		UWEFLOR4	

terminal diagram

identification terminal block X5	cabelname	4mm²		cabeltype		connection		finish designation		device connection		bridges		terminal number		connection		finish designation		
		6a.1	6a.3	6a.5	6a.7	6a.1	6a.3	6a.5	6a.8	6e.3	6e.3	6g.4								

10

12

0		1		2		3		4		5		6		7		8		9	
		date	10. Feb. 2004	Typ 7019/148 HD		X5								drawing-no. A7000/459				UWEPL0R4	
		drawn	NOS	Power of Chi															
	25. Mai. 2004	checked	18. Okt. 2004	USA															
modific.	date	name	norm	origin	repl. for	repl. by													page 11
																			68 pages

uwe GmbH
 Buchstrasse 82 · Postfach 2020
 D-73510 Schwäbisch Gmünd



ident. -no. :
 266596

terminal diagram


cabelname	cabeltype	connection	finish designation	device connection	bridges	terminal number	connection	finish designation	page/path						
										1	2	3	4	5	6
identification terminal block X7		X57 1	L21			1	X57 1	X57	6b. 1						
		X57 3	L23			2	X57 3	X57	6b. 1						
		X57 5	L25			3	X57 5	X57	6b. 2						
		X57 7	L27			4	X57 7	X57	6b. 3						
		X57 9	L29			5	X57 9	X57	6b. 3						
		X57 11	L31			6	X57 11	X57	6b. 4						
		X57 13	L33			7	X57 13	X57	6b. 4						
		X57 15	L35			8	X57 15	X57	6b. 5						
		X57 17	L37			9	X57 17	X57	6b. 6						
		X57 19	L39			10	X57 19	X57	6b. 7						
		X57 21	L41			11	X57 21	X57	6b. 7						
		X57 23	X2			12	X57 23	X57	6b. 1						
		X57 24	X2			13	X57 24	X57	6b. 3						
		X57 25	X2			14	X57 25	X57	6b. 4						
		X57 49	X2			15	X57 49	X57	6h. 4						
		X57 26	X2			16	X57 26	X57	6b. 6						

0		1		2		3		4		5		6		7		8		9	
date	10. Feb. 2004	date	10. Feb. 2004	origin	Typ 7019/148 HD	repl. for	X7	repl. by		UWE GmbH	drawing-no.	A7000/459		ident. -no.:	266596		page	13	
drawn	NOS	checked	18. Okt. 2004	norm	Power of Chi					Buchstrasse 82 · Postfach 2020							pages	68	
25. Mai. 2004					USA					D-73510 Schwäbisch Gmünd									



terminal diagram

identification terminal block X9	cabelname	cabeltype	connection	finish designation	device connection	bridges	terminal number	connection	finish designation	page/path
			L22 2	L22			1	X57 2	X57	6c. 1
			L24 2	L24			2	X57 4	X57	6c. 6
			L26 2	L26			3	X57 6	X57	6c. 2
			L28 2	L28			4	X57 8	X57	6c. 6
			L30 2	L30			5	X57 10	X57	6c. 2
			L32 2	L32			6	X57 12	X57	6c. 7
			L34 2	L34			7	X57 14	X57	6c. 3
			L36 2	L36			8	X57 16	X57	6c. 8
			L38 2	L38			9	X57 18	X57	6c. 3
			L40 2	L40			10	X57 20	X57	6c. 8
			L42 2	L42			11	X57 22	X57	6c. 4
			X3 12	X3			12	X57 27	X57	6c. 1
			X3 13	X3			13	X57 28	X57	6c. 3
			X3 14	X3			14	X57 29	X57	6c. 6
			X3 16	X3			16	X57 30	X57	6c. 7
			X3 16	X3			18	X57 48	X57	6g. 5

0	1	2	3	4	5	6	7	8	9
	date	10. Feb. 2004	Typ 7019/148 HD	X9	uwe GmbH Buchstrasse 82 · Postfach 2020 D-73510 Schwäbisch Gmünd		drawing-no. A7000/459		UWEFLOR4
	drawn	NOS	Power of Chi				ident. -no. :		page 15
25. Mai. 2004	checked	18. Okt. 2004	USA				266596		68 pages
modific.	date	name	norm	origin	repl. for	repl. by			

terminal diagram

identification terminal block	cabelname	cabeltype	connection	finish designation	device connection	bridges	terminal number	connection	finish designation	function text	BN	cabelname	cabeltype	page/path							
															1	2	3	4	5	6	7
X10			2	L48A			1	X57 31						6d. 2							
								X57 32											6d. 4		
								X57 33												6d. 5	
								X57 31													6d. 2
								X57 32													6d. 4
								X57 33													6d. 6
								X57 34	X												6d. 2
								X57 35	X												6d. 4
								X57 36													6d. 6
								X57 37													6e. 4
								X57 38													6f. 2
								X57 39													6h. 3
								X57 40													6e. 4
								X4 14													6j. 2
								X57 45													6j. 2
								X57 47													6g. 4

0		1		2		3		4		5		6		7		8		9	
date	10. Feb. 2004	date	10. Feb. 2004	origin	Typ 7019/148 HD	repl. for		repl. by	X10	UWE GmbH		drawing-no. A7000/459		ident. -no. : 266596		page 16		pages 68	
drawn	NOS	checked	18. Okt. 2004	origin	Power of Chi					Buchstrasse 82 · Postfach 2020		UWE							
25. Mai. 2004		checked	18. Okt. 2004	origin	USA					D-73510 Schwäbisch Gmünd									

terminal diagram

KLEIN_ENG 2 12.12.2003

function text		cabelname		identification terminal block X12								cabelname		cabeltype		Page/path				
		connection	finish designation	terminal number	bridges	device connection	finish designation	connection	terminal number	bridges	device connection	finish designation	connection	terminal number	bridges	device connection	finish designation	connection	terminal number	
				X58	1							L1	2					6a.1		
				X58	2							L2	2						6a.1	
				X58	3							L3	2						6a.1	
				X58	4							L4	2						6a.2	
				X58	5							L5	2						6a.2	
				X58	6							L6	2						6a.3	
				X58	7							L7	2						6a.3	
				X58	8							L8	2						6a.3	
				X58	9							L9	2						6a.4	
				X58	10							L10	2						6a.4	
				X58	11							L11	2						6a.5	
				X58	12							L12	2						6a.5	
				X58	13							L13	2						6a.6	
				X58	14							L14	2						6a.6	
				X58	15							L15	2						6a.6	
				X58	16							L16	2						6a.7	
				X58	17							L17	2						6a.8	
				X58	18							L18	2						6a.8	

16

18

0		1		2		3		4		5		6		7		8		9	
		date		10. Feb. 2004		Typ 7019/148 HD		X12						drawing-no. A7000/459				UWEFLOR4	
		drawn		NOS		Power of Chi													
25. Mai. 2004		checked		18. Okt. 2004		USA												page 17	
modific. date		name		norm		origin		repl. for		repl. by				ident. -no. : 266596				68 pages	

uwe GmbH
 Buchstrasse 82 · Postfach 2020
 D-73510 Schwäbisch Gmünd

terminal diagram

identification terminal block X13	cabelname	cabeltype		connection		finish designation		device connection		bridges		terminal number		connection		finish designation		page/path		
				L19	2													6a.8		
				L20	2														6a.9	
				X5	5														6a.1	
				X5	6														6a.3	
				X5	7														6a.5	
				X5	8														6a.8	
				X5	9														6e.3	
				X5	10														6e.3	
				X5	11														6a.2	
			X5	12														6a.4		
			X5	13														6a.7		
			X5	14														6a.9		
			X5	18														6g.4		

0		1		2		3		4		5		6		7		8		9	
		date	10. Feb. 2004	Typ 7019/148 HD				MP3+MP4						drawing-no. A7000/459				UWEPL0R4	
		drawn	NOS	Power of Chi															
	25. Mai. 2004	checked	18. Okt. 2004	USA															
modific.	date	name	norm	origin	repl. for	repl. by									ident. -no. : 266596		page 18 68 pages		

uwe GmbH
 Buchstrasse 82 · Postfach 2020
 D-73510 Schwäbisch Gmünd



terminal diagram

identification terminal block X15	cabelname	cabeltype	connection	finish designation	device connection	bridges	terminal number	connection	finish designation	page/path
			3	X54			1	2	X55	6f. 6
			7	X54			2	3	X55	6f. 6
			1	X54			3	4	X55	6f. 1
			2	X54			4	5	X55	6f. 1
			4	X54			5	6	X55	6f. 4
			6	X54			6	7	X55	6f. 4
			12	X54			18	11	X55	6f. 4
										69. 6

0		1		2		3		4		5		6		7		8		9		
		date	10. Feb. 2004	Typ 7019/148 HD		X15								drawing-no. A7000/459				UWEPL0R4		
		drawn	NOS	Power of Chi																
	25. Mai. 2004	checked	18. Okt. 2004	USA																
modific.	date	name	norm	origin	repl. for	repl. by													page	20
																			pages	68

uwe GmbH
 Buchstrasse 82 · Postfach 2020
 D-73510 Schwäbisch Gmünd



ident. -no. :
 266596

terminal diagram

identification terminal block X17	cabelname	cabeltype																
	connection	4																
	finish designation	X55	X55	X55														
	device connection																	
	bridges																	
	terminal number	1	2	3														
	connection	L	N	PE														
	finish designation	RC	RC	RC														
	cabelname	cabeltype																
	WX17/RC	1x	1															
function text																		

0		1		2		3		4		5		6		7		8		9	
date	10. Feb. 2004	Typ 7019/148 HD		X17		UWE GmbH		drawing-no. A7000/459		ident. -no. :		page 22		UWEFLOR4					
drawn	NOS	Power of Chi				Buchstrasse 82 · Postfach 2020		266596		68 pages									
checked	18. Okt. 2004	USA				D-73510 Schwäbisch Gmünd		UWE											
modific.	date	name	norm	origin	repl. for	repl. by													

terminal diagram

identification terminal block		cabelname		cabeltype		connection		finish designation		device connection		bridges		terminal number		connection		finish designation		function text		page/path			
X20						1		R4-X60		1				1		1		R4-X60				61.3			
						2		R4-X60		2		rel. group A		2		rel. group A		2				R4-X60		61.3	
						3		R4-X60		3		rel. group A		3		rel. group A		3				R4-X60		61.4	
						4		R4-X60		4		rel. group A		4		rel. group A		4				R4-X60		61.4	
						5		R4-X60		5		rel. group A		5		rel. group A		5				R4-X60		61.4	
						6		R4-X60		6		rel. group A		6		rel. group A		6				R4-X60		61.5	
						7		R4-X60 10		7				7				7				R4-X60 10		61.6	

0		1		2		3		4		5		6		7		8		9	
		date		10. Feb. 2004		Typ 7019/148 HD		X20						drawing-no. A7000/459				UWEPL0R4	
		drawn		NOS		Power of Chi													
25. Mai. 2004		checked		18. Okt. 2004		USA													
modific.		date		name		norm		origin		repl. for		repl. by						page 25	
																		68 pages	

uwe GmbH
 Buchstrasse 82 · Postfach 2020
 D-73510 Schwäbisch Gmünd



terminal diagram

identification terminal block X51	cabelname	cabeltype	6.1					6.1					6.1					6.1					6.2				
	connection	finish designation	F02	F02	F02	F02	X50	PE																			
	device connection	bridges																									
	terminal number	connection	N	L1	L2	L3	PE																				
	finish designation	connection	X52 1	X52 3	X52 5	X52 13																					
	finish designation	connection	X52 1	X52 3	X52 5	X52 13																					
cabelname	cabeltype	10mm²																									
function text																											

0	1	2	3	4	5	6	7	8	9
	date	10. Feb. 2004	Typ 7019/148 HD	X51	UWE GmbH		drawing-no. A7000/459		UWEFL0R4
	drawn	NOS	Power of Chi		Buchstrasse 82 · Postfach 2020		ident. -no. :		page 28
25. Mai. 2004	checked	18. Okt. 2004	USA		D-73510 Schwäbisch Gmünd		266596		pages 68
modific.	date	name	norm	origin	repl. for	repl. by			



terminal diagram

identification terminal block X52	cabelname	cabeltype	connection	finish designation	device connection	bridges	terminal number	connection	finish designation	WH	BU	BN	page/path	
	WX4/X52	1x	X1 14	X4	rel B (X25,2)		40	X1 14	X4				6h. 6	
	WX1/X52	1x	X4 11	X1 11	SolBasis FanZ		41	X4 11	X1 11			X	6m. 6	
	BK		X2 3	X2 3	K5 6		42	C4 L	C4				6b. 4	
	WH		rel group3: 3	rel group3: 3	C12		43				X		6f. 6	
			rel group3: 2	rel group3: 2	C13		44				X		6f. 7	
			X4 14	X4 14	X1 12		45						6j. 2	
			C11	C11	X1 9		46						6f. 3	

0		1		2		3		4		5		6		7		8		9	
date	10. Feb. 2004	drawn	NOS	origin	Typ 7019/148 HD Power of Chi USA	repl. for	X52	repl. by		UWE GmbH Buchstrasse 82 · Postfach 2020 D-73510 Schwäbisch Gmünd	drawing-no.	A7000/459		ident. -no.:	266596	page	30		
date	25. Mai. 2004	checked	18. Okt. 2004	norm												pages	68		



terminal diagram

identification terminal block X53	cabelname	cabeltype	connection	finish designation	device connection	bridges	terminal number	connection	finish designation	page/path										
			1	X6			1	X14		6m. 2										
			1	X19						6m. 4										
			2	X19						6f. 7										
			5	X6						6f. 8										
			6	X6						6f. 8										
			7	X6						6f. 8										
			8	X6						6f. 8										
			9	M4						6f. 8										
			10	C15						6f. 9										
			11	M4						6f. 9										
			12	PE7	X6				X19	6g. 7										
		3	X19	X14																

cabelname	cabeltype	function text									
WH											
GY											
BK											
YE											

0		1		2		3		4		5		6		7		8		9		
		date	10. Feb. 2004	Typ 7019/148 HD		X53								drawing-no. A7000/459				UWEFLOR4		
		drawn	NOS	Power of Chi																
	25. Mai. 2004	checked	18. Okt. 2004	USA																
modific.	date	name	norm	origin	repl. for	repl. by														

uwe GmbH
 Buchstrasse 82 · Postfach 2020
 D-73510 Schwäbisch Gmünd



ident. -no.: 266596
 page 31
 68 pages

terminal diagram

identification terminal block	cabelname	cabeltype	connection	finish designation	device connection	bridges	terminal number	connection	finish designation	page/path
X54			1	X1 1			1	X15 3	X1 1	6f. 1
			2	X15 4			2	X1 2	X15 4	6f. 1
			3	X1 3			3	X15 1	X1 3	6f. 6
			4	X1 11			4	M1	X1 11	6f. 4
			5	X15 5			5	X1 9	M1	6f. 3
			6	M1			6	X1 6	M1	6f. 3
			7	X15 2			7	X15 6	X15 2	6f. 6
			8	X1 13			8	S1 3	X1 13	6j. 2
			9	S1 4			9	X1 12	S1 4	6j. 2
			10	X1 14			10	X16 2	X1 14	6h. 6
			11	X16 1			11	X1 7	X16 1	6h. 5
			12	X1 18			12	PF5 1	X1 18	6g. 7

0		1		2		3		4		5		6		7		8		9	
date	10. Feb. 2004	date	10. Feb. 2004	origin	Typ 7019/148 HD	repl. for		repl. by	X54	UWE GmbH Buchstrasse 82 · Postfach 2020 D-73510 Schwäbisch Gmünd		drawing-no. A7000/459		ident. -no. : 266596		page 32		68 pages	
drawn	NOS	checked	18. Okt. 2004	norm	Power of Chi					UWE									
25. Mai. 2004					USA														

terminal diagram

identification terminal block X55	finish designation	M3	M3	X15	X17	X15	X55a	M9	X15	C16	C16		PE6
	connection			2	1	4	1	6	6				1
	terminal number												
	bridges												
	device connection												
	finish designation												
	connection												
	terminal number												
	bridges												
	device connection												
	finish designation												

0		1		2		3		4		5		6		7		8		9	
date	10. Feb. 2004	Type 7019/148 HD		X55										drawing-no. A7000/459				UWEPL0R4	
drawn	NOS	Power of Chi																	
checked	18. Okt. 2004	USA																	
date	25. Mai. 2004	origin		repl. for		repl. by								ident. -no. : 266596		page 33		68 pages	
name		repl. for		repl. by															

uwe GmbH
 Buchstrasse 82 · Postfach 2020
 D-73510 Schwäbisch Gmünd



terminal diagram

identification terminal block X57	BU																				
	cabelname																				
	cabeltype																				
	connection																				
	finish designation																				
	device connection																				
	bridges																				
	terminal number	40 41 42 43 44 45 46 47 48 49																			
	connection	X10 13 M2 -2 E106 1 E107 1 S2 3 X10 16																			
	finish designation	E101 2 X10 14 S5 4 X10 18 X9 18 Y1 M5																			
cabelname	WX57/PE4																				
cabeltype	1x																				
function text																					

0		1		2		3		4		5		6		7		8		9	
date	10. Feb. 2004	10. Feb. 2004		Typ 7019/148 HD		X57												UWEPL0R4	
drawn	NOS			Power of Chi															
checked	18. Okt. 2004			USA															
date	25. Mai. 2004			origin		repl. for		repl. by										drawing-no. A7000/459	
name				repl. for														ident. -no. : 266596	
norm				origin														page 36	
date				origin														68 pages	

uwe GmbH
 Buchstrasse 82 · Postfach 2020
 D-73510 Schwäbisch Gmünd



