

Uwe GmbH  
 Buchstrasse 82 · Postfach 2020  
 D-73510 Schwäbisch Gmünd



drawing-no. : A7000/451  
 device type/ : Typ 7823/2  
 designation : Sunboard  
 commission : USA

path : 3  
 creation date : 27. Jan. 2003  
 drawn by : NOS  
 modification date : 04. Aug. 2004  
 modified by : NOS

feeding in : 3PE~60Hz 220V 50A

number of pages : 58

All rights reserved

technical modifications reserved

0		1		2		3		4		5		6		7		8		9	
		date	18. Sep. 2002	Typ 7823/2				cover page						drawing-no. A7000/451				UWEPL0R4	
		drawn	NOS	Sunboard															
	04. Aug. 2004	checked	18. Okt. 2004	USA															
modific.	date	name	norm	origin	repl. for	repl. by			uwe GmbH Buchstrasse 82 · Postfach 2020 D-73510 Schwäbisch Gmünd				ident. -no. : 265999				page 1 58 pages		

# index

WUPJ00100 22.10.00

page	page designation	extra field	date	drawer	X
1	cover page		08. Okt. 2002	NOS	
2	index		17. Feb. 2003	NOS	
2a	index		17. Feb. 2003	NOS	
3	modifications		14. Feb. 2003	NOS	
4	identification		14. Feb. 2003	NOS	
5	mounting plate control		14. Feb. 2003	NOS	
5a	mounting plate arm top		14. Feb. 2003	NOS	
5b	mounting plate arm left+ right		14. Feb. 2003	NOS	
5c	mounting plate base		14. Feb. 2003	NOS	
5d	arm left & right		14. Feb. 2003	NOS	
5e	arm top		14. Feb. 2003	NOS	
5f	base		14. Feb. 2003	NOS	
5g	pedestral		14. Feb. 2003	NOS	
6	circuit		17. Feb. 2003	NOS	
6a	base left		17. Feb. 2003	NOS	
6b	base right		17. Feb. 2003	NOS	
6c	arm top		17. Feb. 2003	NOS	
6d	arm top + right		17. Feb. 2003	NOS	
6e	arm right		14. Feb. 2003	NOS	
6f	arm left		17. Feb. 2003	NOS	
6g	safety loop		14. Feb. 2003	MNU	
6h	fan circuit		17. Feb. 2003	NOS	
6i	PE		14. Feb. 2003	NOS	
7	X1		17. Feb. 2003	NOS	
8	X2		17. Feb. 2003	NOS	
9	X3		17. Feb. 2003	NOS	
10	X4		17. Feb. 2003	NOS	
11	X5		17. Feb. 2003	NOS	
12	X6		17. Feb. 2003	NOS	
13	X7		17. Feb. 2003	NOS	

1

2 a

0		1		2		3		4		5		6		7		8		9	
		date		Typ 7823/2		index								drawing-no. A7000/451				UWEFL0R4	
		drawn	NOS	Sunboard															
	04. Aug. 2004	checked	18. Okt. 2004	USA															
modific.	date	name	norm	origin	repl. for	repl. by													page 2
																			58 pages

UWE GmbH  
 Buchstrasse 82 · Postfach 2020  
 D-73510 Schwäbisch Gmünd



ident. -no.:  
 265399





# identification

terminals:

connectors: X0 ... X29

terminal blocks: X50 ... X99

ext. components and subassembly: X100 ... X199

## component identification

ballasts: L

ignition components: Z

lamps: E

control components: A

fans/motors: M

circuit-breaker: Q

control switch: S

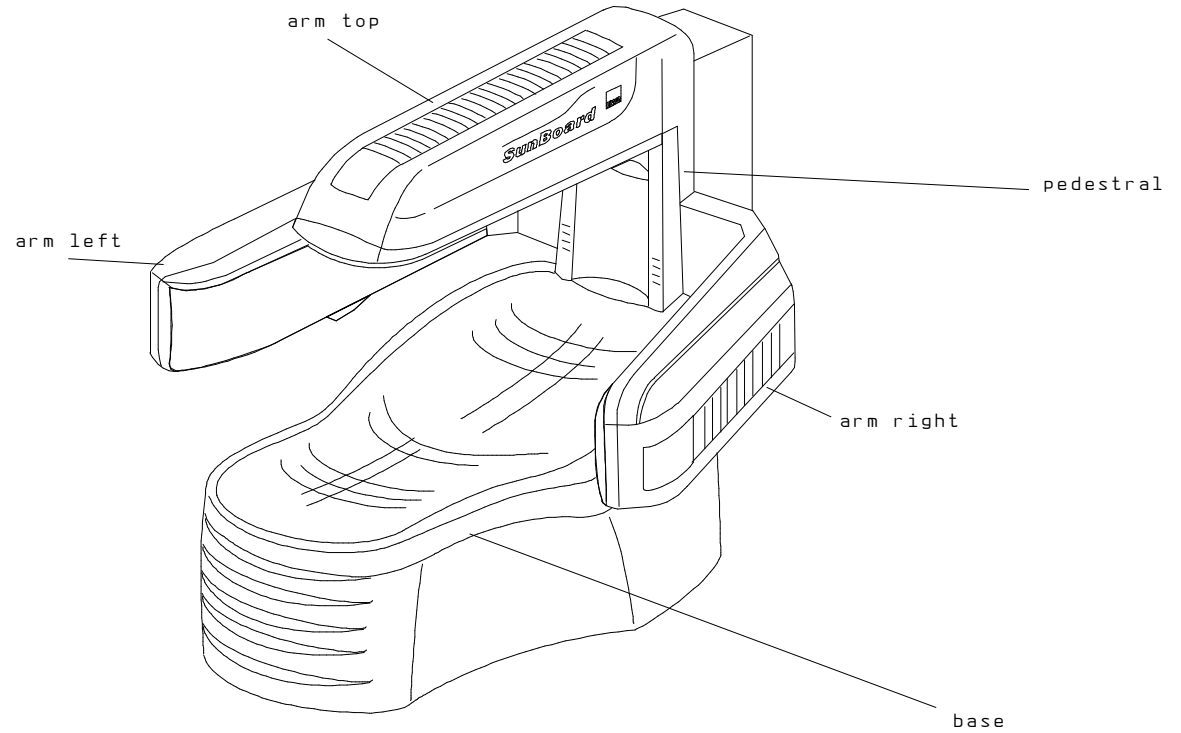
timer: P

HP lamps E1-E23

floorlight: E24

## color code

color	code
white	WH
red	RD
blue	BU
green	GN
yellow	YE
grey	GY
brown	BN
orange	OG
black	BK
oliv	OL
violett	VI
green yellow	GNYE



3

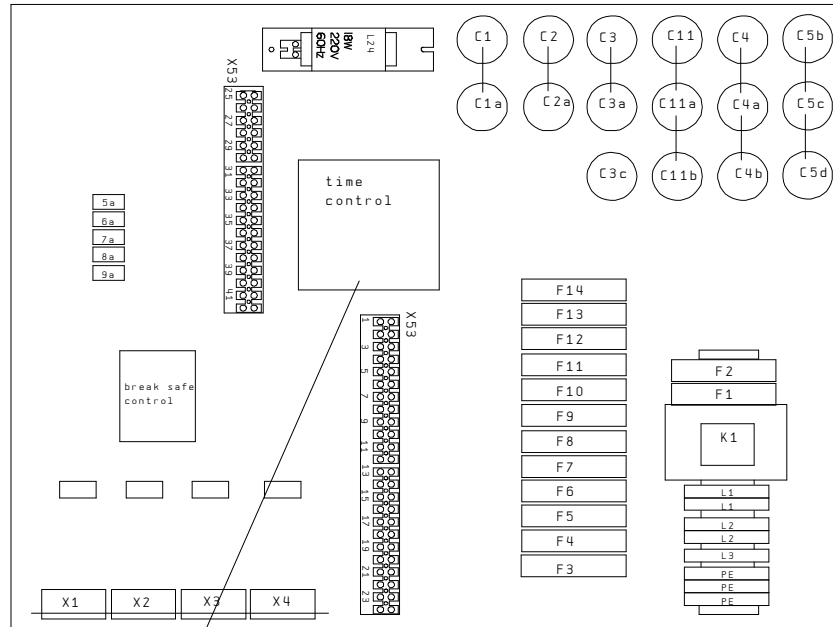
5

0		1		2		3		4		5		6		7		8		9	
			date		Typ 7823/2	identification						drawing-no. A7000/451				UWEPL0R4			
			drawn	NOS	Sunboard							ident. -no. :				page 4			
	04. Aug. 2004		checked	18. Okt. 2004	USA							265399				58 pages			
modific.	date	name	norm		origin	repl. for		repl. by											

UWE GmbH  
 Buchstrasse 82 · Postfach 2020  
 D-73510 Schwäbisch Gmünd



# mounting plate control



private-/ coinboxmode

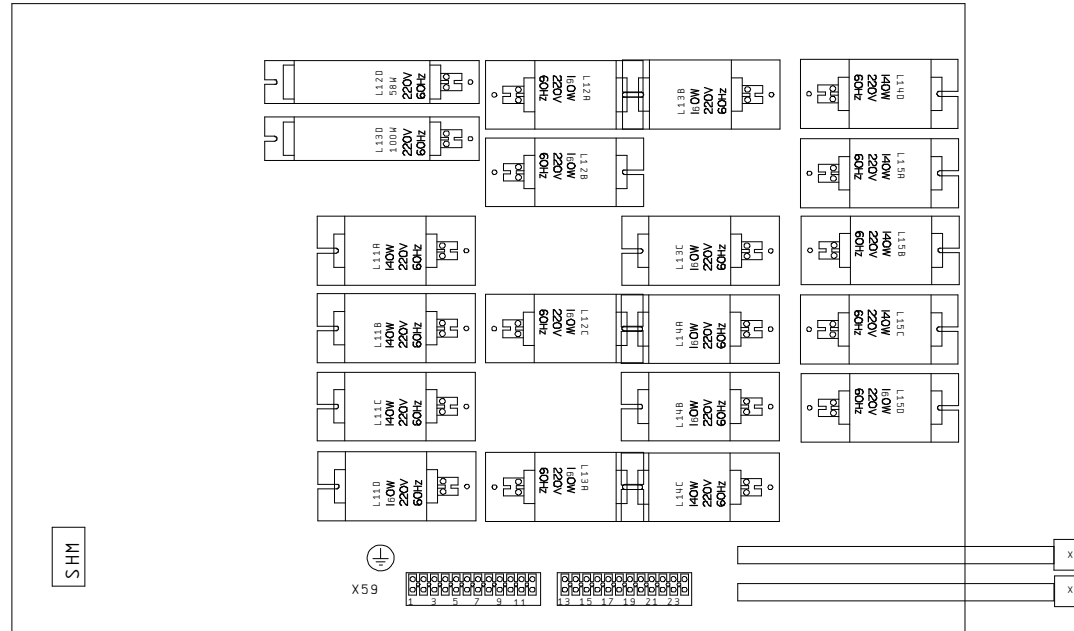
	coinboxmode	privatemode
position spring steel switch 1 (jumper)	snap off	snap in
position spring steel switch 2 (jumper)	snap in	snap off
position slide switch		


4

5a

0	1	2	3	4	5	6	7	8	9										
		<table border="1" style="font-size: small;"> <tr><td>date</td><td></td><td>Typ 7823/2</td></tr> <tr><td>drawn</td><td>NOS</td><td>Sunboard</td></tr> <tr><td>checked</td><td>18. Okt. 2004</td><td>USA</td></tr> </table>		date		Typ 7823/2	drawn	NOS	Sunboard	checked	18. Okt. 2004	USA	<b>mounting plate control</b>		<b>UWE GmbH</b> Buchstrasse 82 · Postfach 2020 D-73510 Schwäbisch Gmünd		drawing-no. <b>A7000/451</b>		UWEFL0R4
date		Typ 7823/2																	
drawn	NOS	Sunboard																	
checked	18. Okt. 2004	USA																	
modific.	date	name	norm	origin	repl. for	repl. by	ident. -no. :	265399	page 5 58 pages										

mounting plate  
arm top

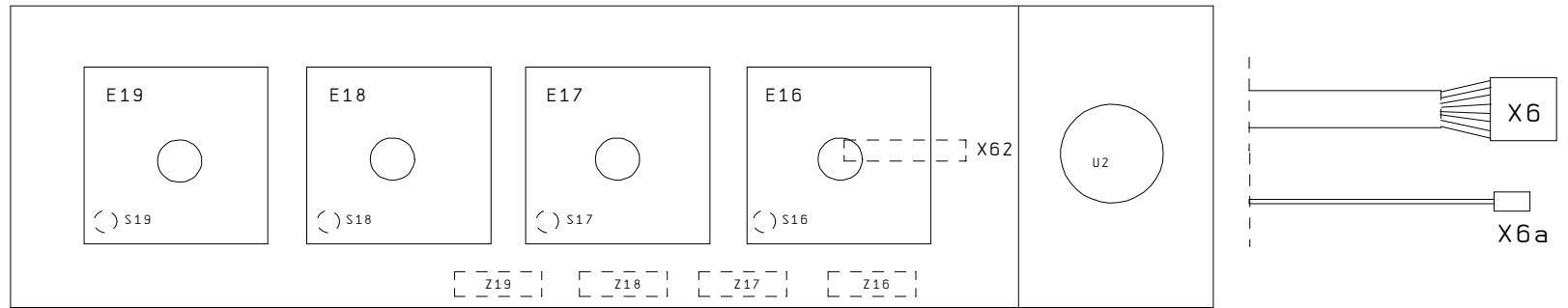
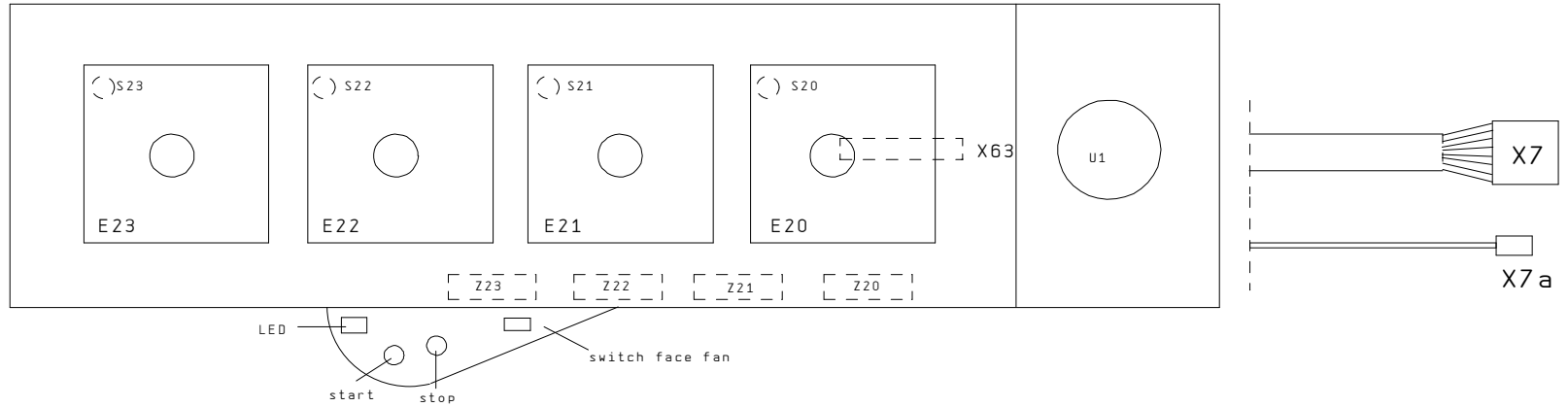


0		1		2		3		4		5		6		7		8		9	
		date		Typ 7823/2				mounting plate						drawing-no. A7000/451				UWEFL0R4	
		drawn	NOS	Sunboard				arm top						ident. - no. :				page 5a	
	04. Aug. 2004	checked	18. Okt. 2004	USA										265399				58 pages	
modific.	date	name	norm	origin	repl. for	repl. by			uwe GmbH Buchstrasse 82 · Postfach 2020 D-73510 Schwäbisch Gmünd										





### arm left



### arm right

5c

5e

0	1	2	3	4	5	6	7	8	9
	date	Typ 7823/2		arm left & right			drawing-no. A7000/451		UWEPL0R4
	drawn	Sunboard							
	04. Aug. 2004	USA							
modific.	date	name	norm	origin	repl. for	repl. by	ident. -no. :		page 5d
	18. Okt. 2004						265399		58 pages

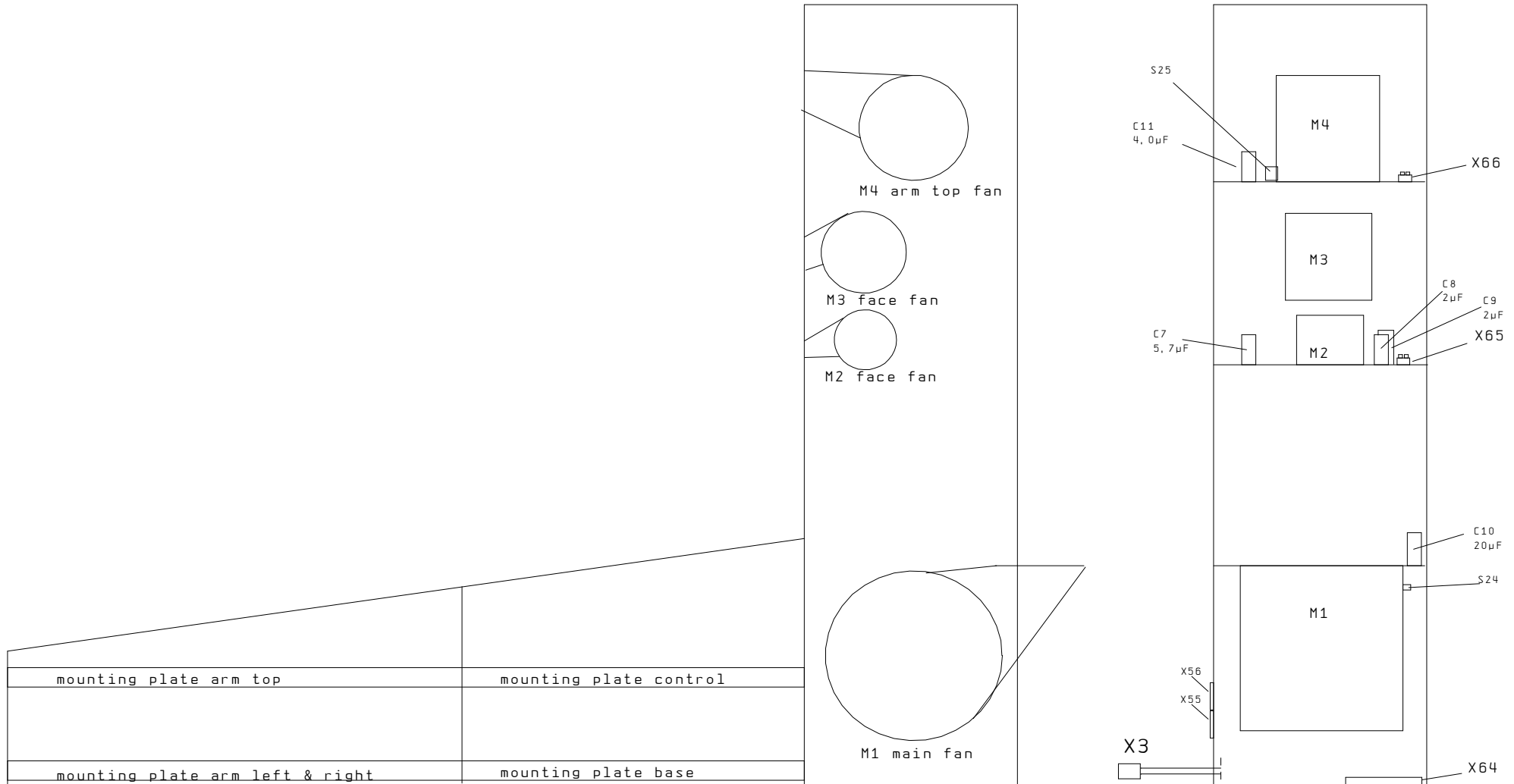
UWE GmbH  
 Buchstrasse 82 · Postfach 2020  
 D-73510 Schwäbisch Gmünd







# pedestal



5f

6

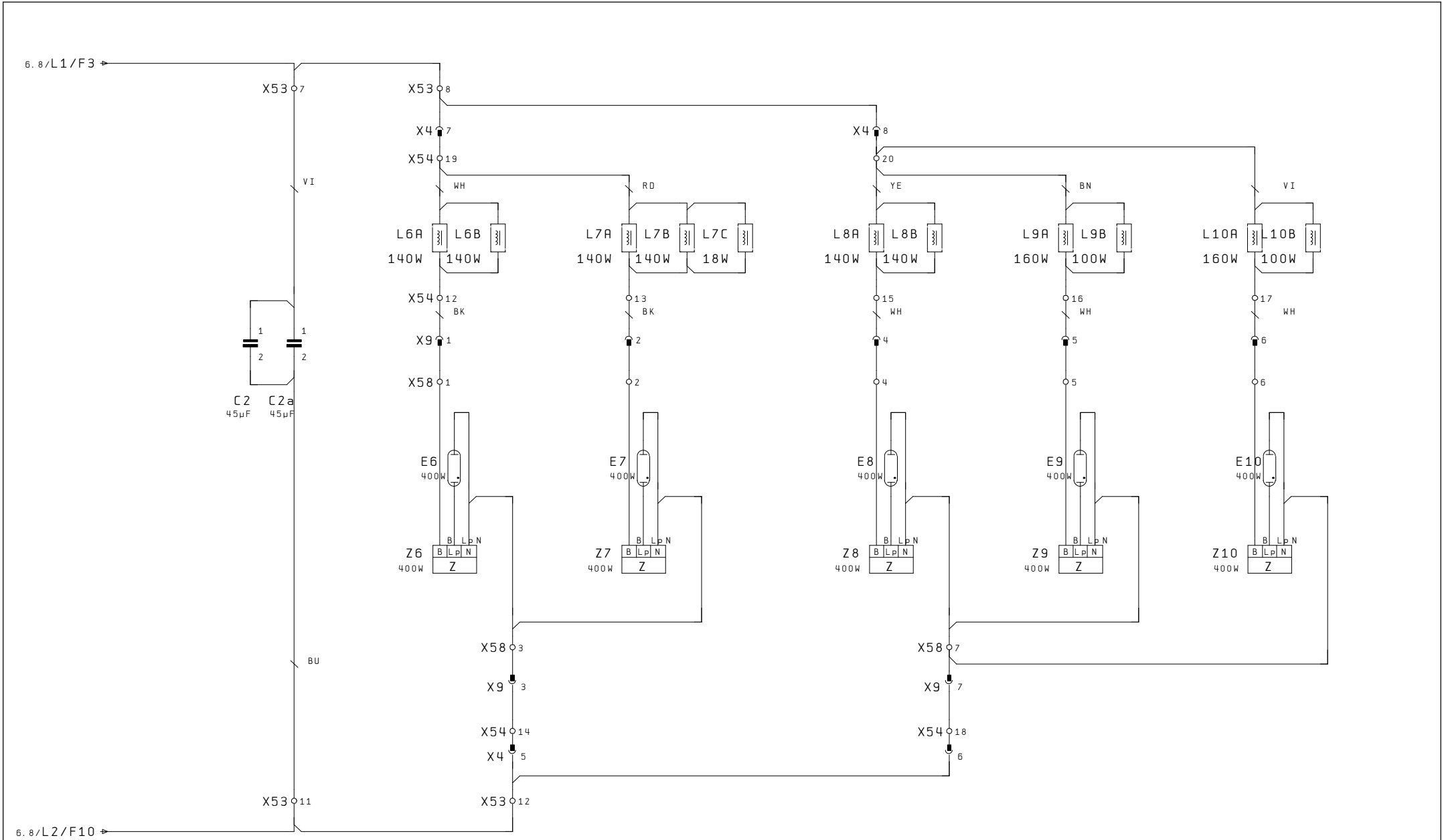
0	1	2	3	4	5	6	7	8	9
	date drawn 04. Aug. 2004	NOS checked 18. Okt. 2004	Typ 7823/2 Sunboard USA	pedestal	uwe GmbH Buchstrasse 82 · Postfach 2020 D-73510 Schwäbisch Gmünd		drawing-no. A7000/451	ident. -no. : 265999	
modific.	date	name	norm	origin	repl. for	repl. by	drawing-no. A7000/451		page 5g 58 pages

UWEFL0R4









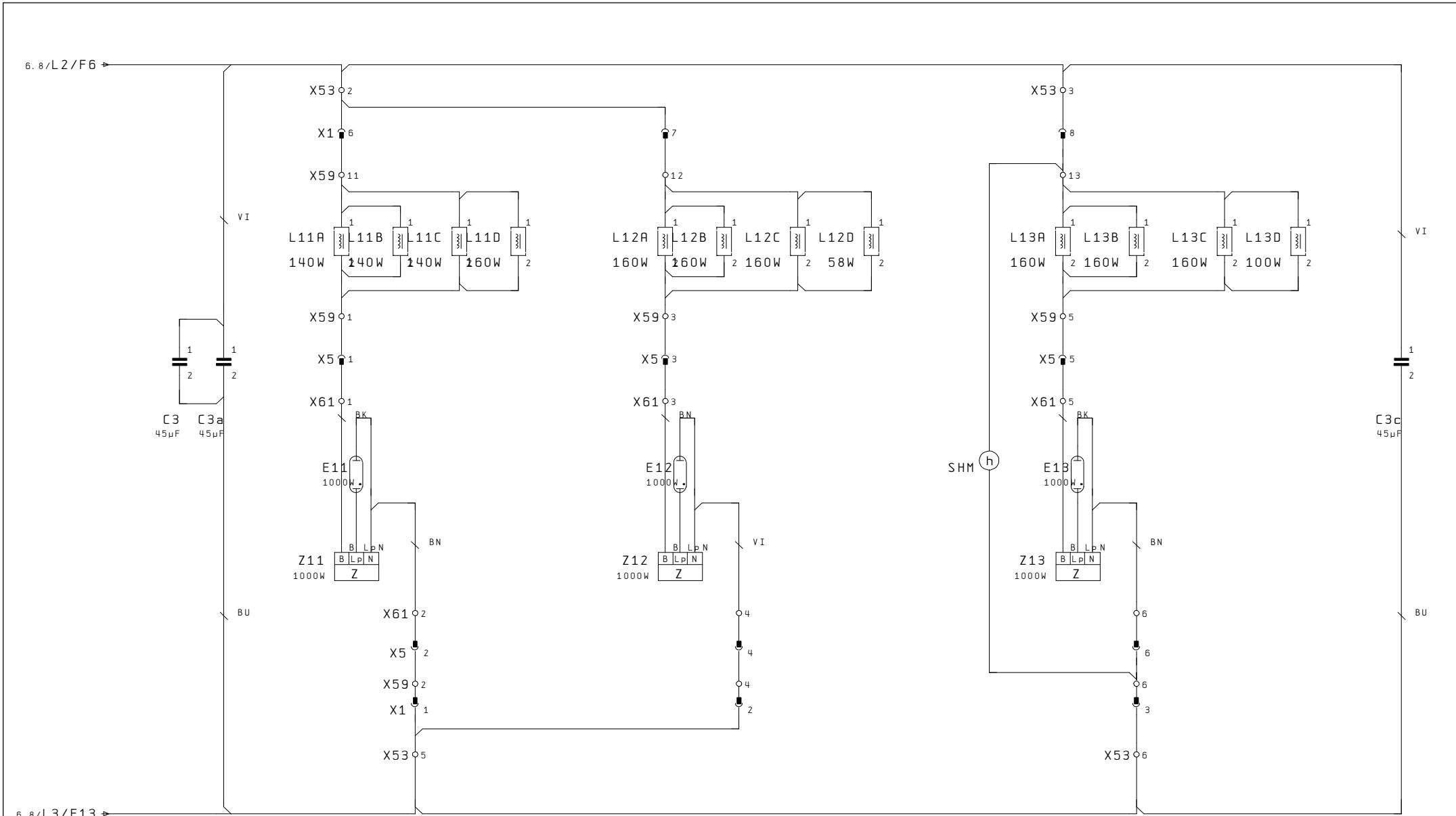
6a

6c

0	1	2	3	4	5	6	7	8	9
	date	Typ 7823/2		base right			drawing-no. A7000/451		UWEFL0R4
	drawn	Sunboard							
	checked	USA							
modific.	date	name	norm	origin	repl. for	repl. by	ident. - no. :		page 6b
	04. Aug. 2004			18. Okt. 2004			265399		58 pages

uwe GmbH  
 Buchstrasse 82 · Postfach 2020  
 D-73510 Schwäbisch Gmünd





6b

6d

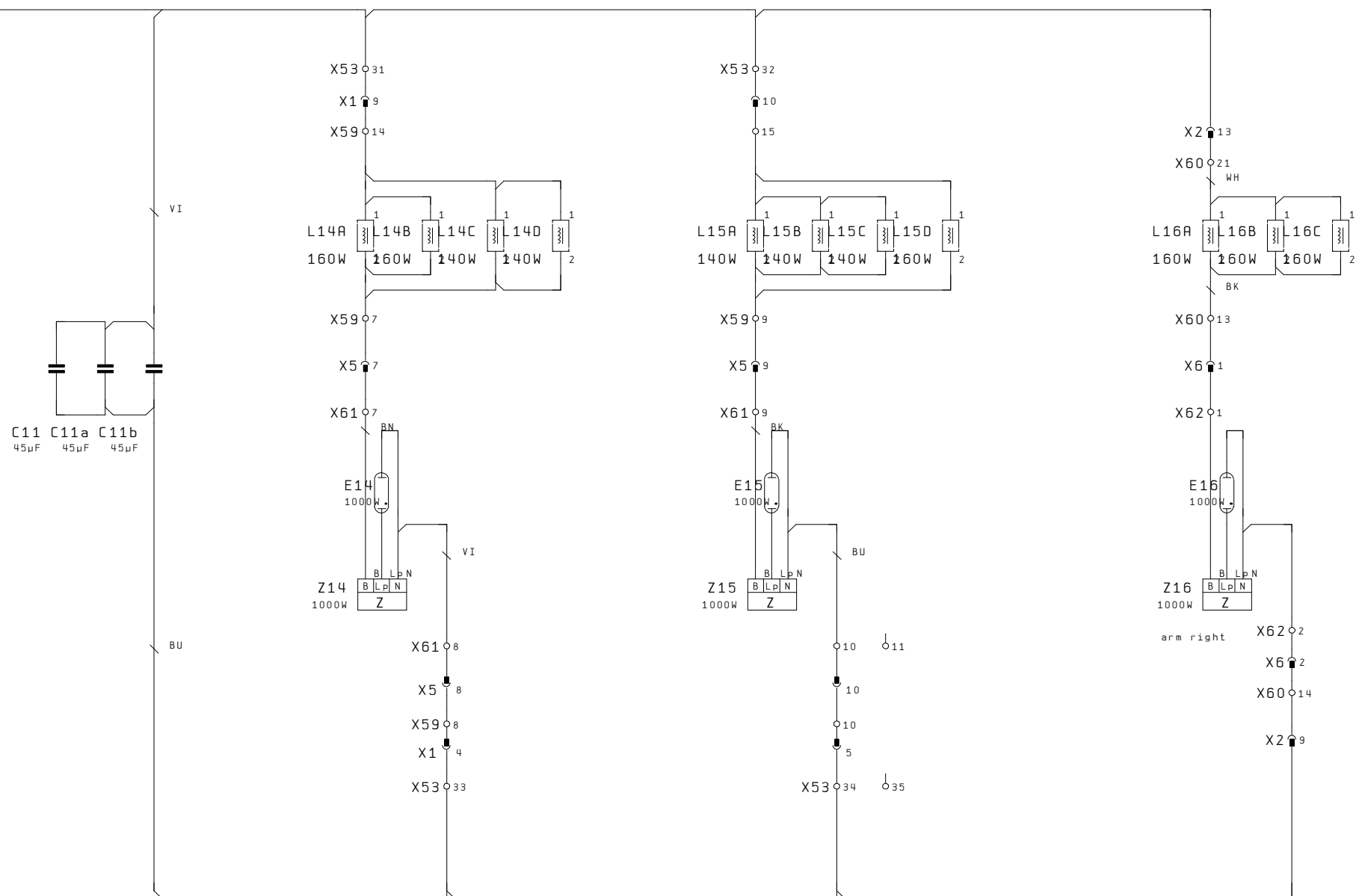
0	1	2	3	4	5	6	7	8	9
	date	Typ 7823/2		arm top			drawing-no. A7000/451		UWEFL0R4
	drawn	Sunboard							
	checked	USA							
modific.	date	name	norm	origin	repl. for	repl. by	ident. - no.:		page 6c
	04. Aug. 2004						265399		58 pages

uwe GmbH  
 Buchstrasse 82 · Postfach 2020  
 D-73510 Schwäbisch Gmünd



page 6c  
 58 pages

6. 8/L2/F7



6. 8/L3/F14

6c

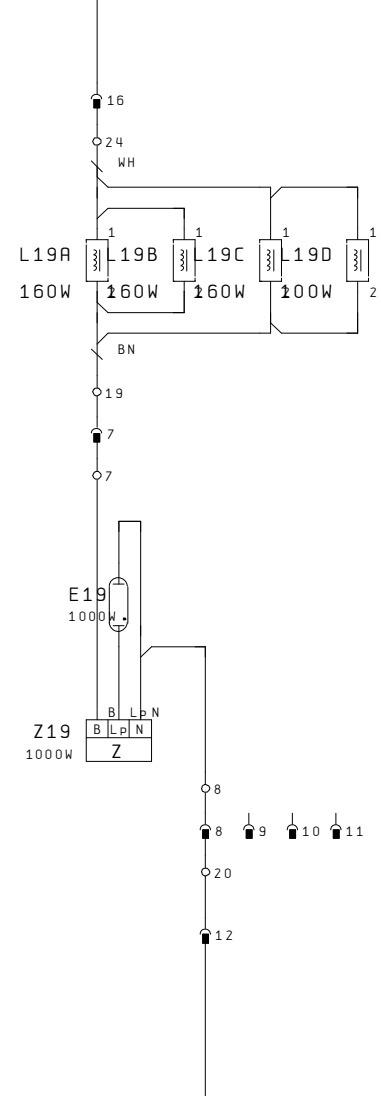
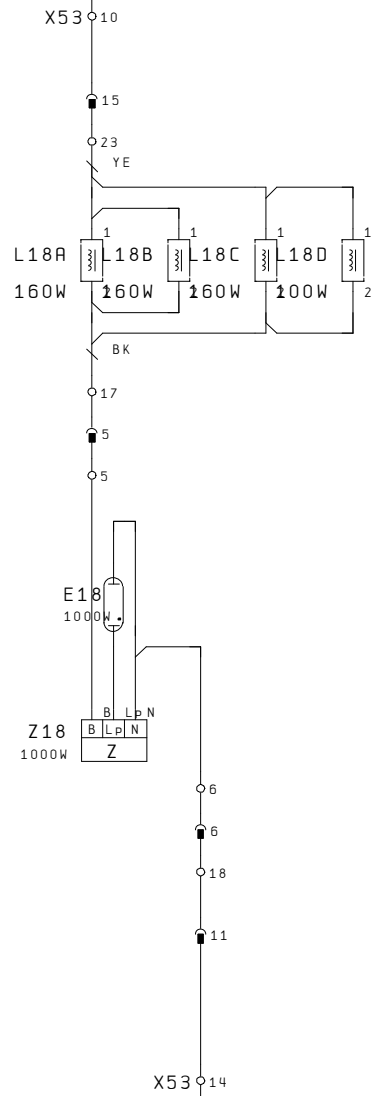
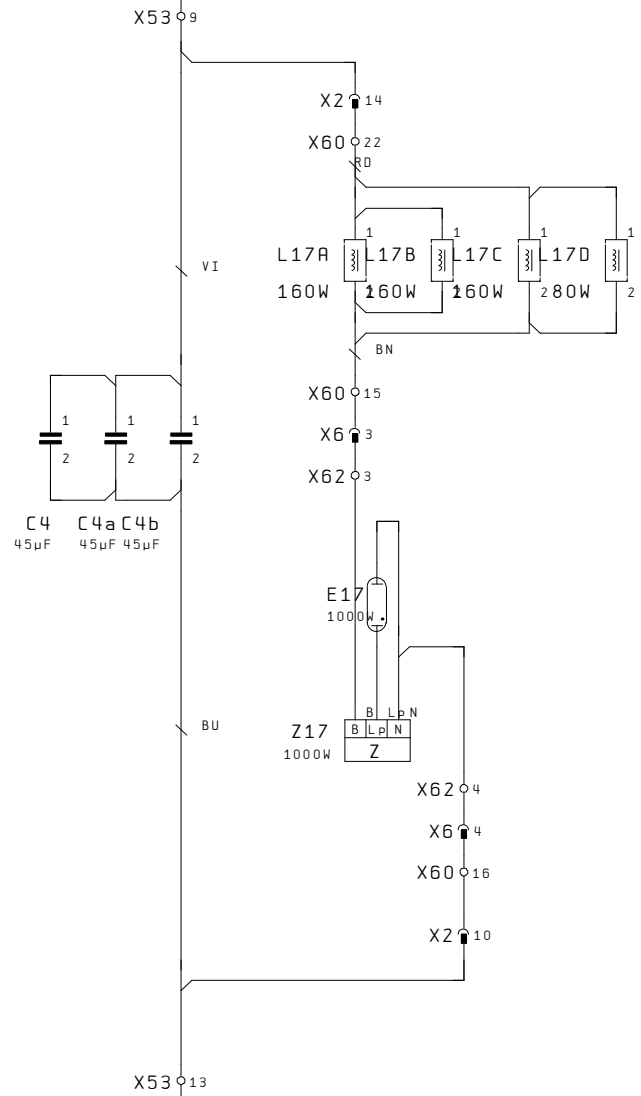
6e

0	1	2	3	4	5	6	7	8	9
	date	Typ 7823/2		arm top + right			drawing-no. A7000/451		UWEFLOR4
	drawn	Sunboard							
	checked	USA							
04. Aug. 2004	18. Okt. 2004								page 6d
modific.	date	name	norm	origin	repl. for	repl. by	ident. -no. : 265399		58 pages

uwe GmbH  
 Buchstrasse 82 · Postfach 2020  
 D-73510 Schwäbisch Gmünd



6.8/L3/F11 →



6.8/L1/F4 →

6d

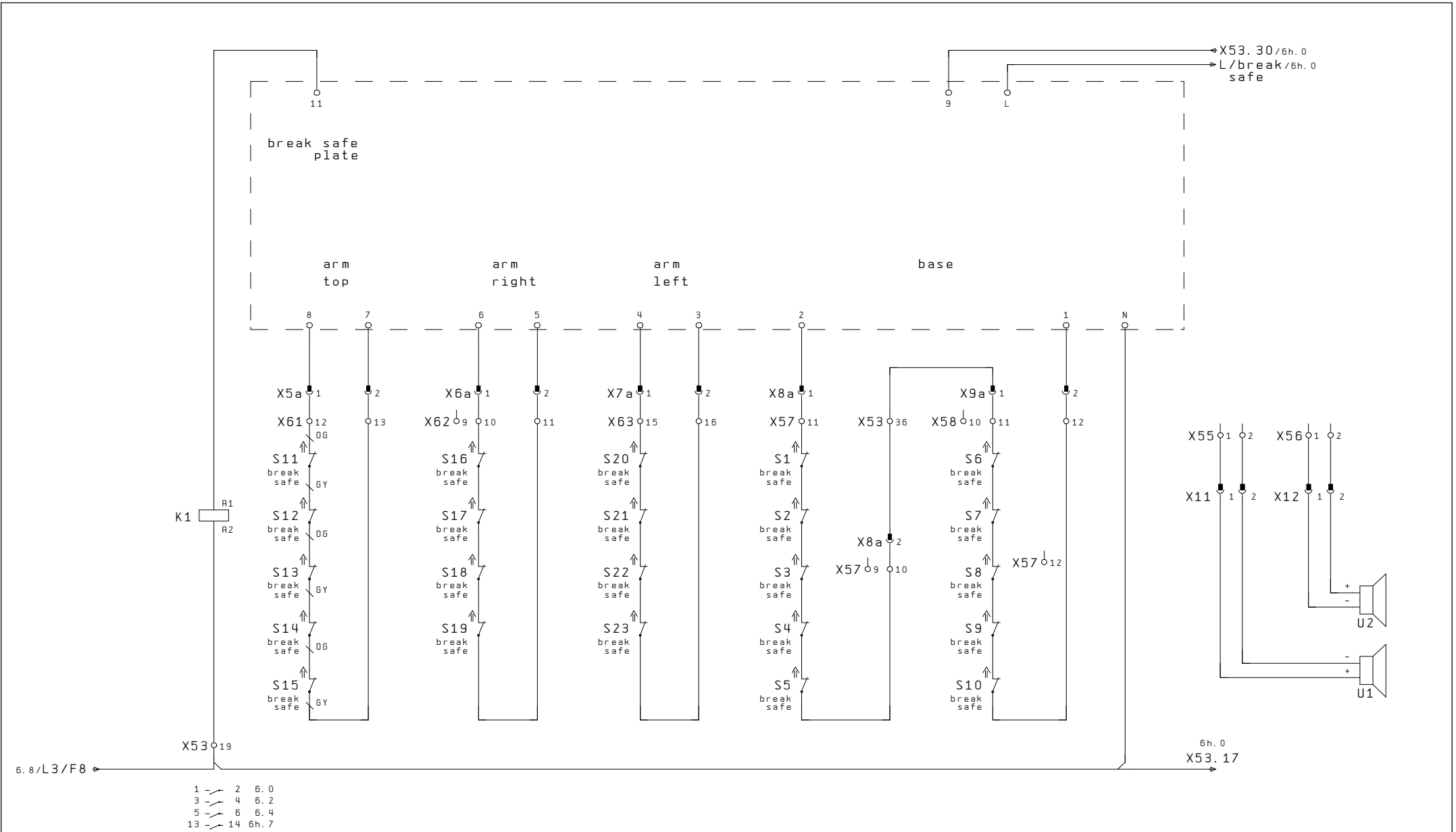
6f

0	1	2	3	4	5	6	7	8	9
	date	Typ 7823/2		arm right			drawing-no. A7000/451		UWEFLOR4
	drawn	Sunboard							
	checked	USA							
modific.	date	name	norm	origin	repl. for	repl. by	ident. -no.:		page 6e
	04. Aug. 2004						265399		58 pages

UWE GmbH  
 Buchstrasse 82 · Postfach 2020  
 D-73510 Schwäbisch Gmünd



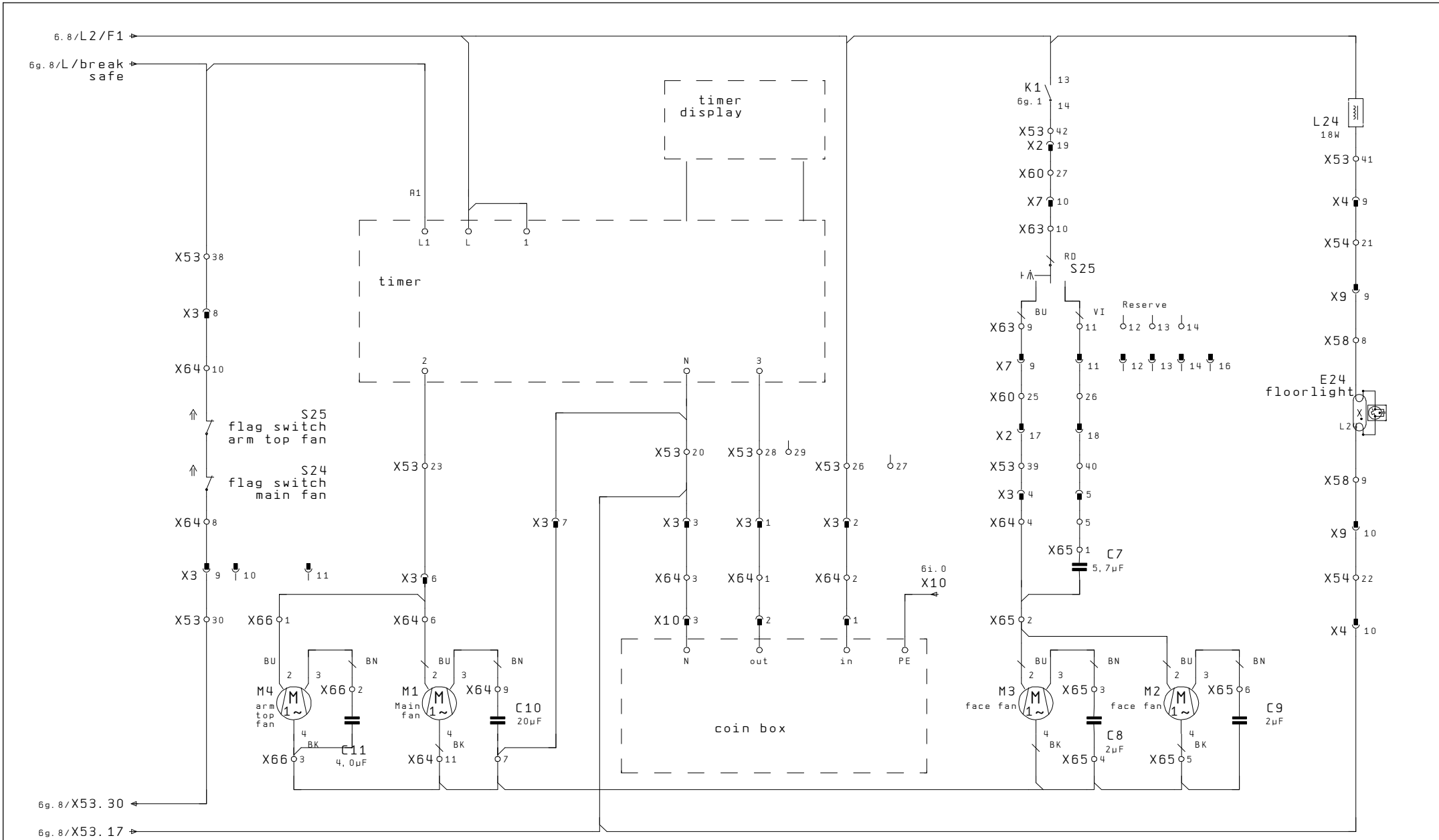




6f

6h

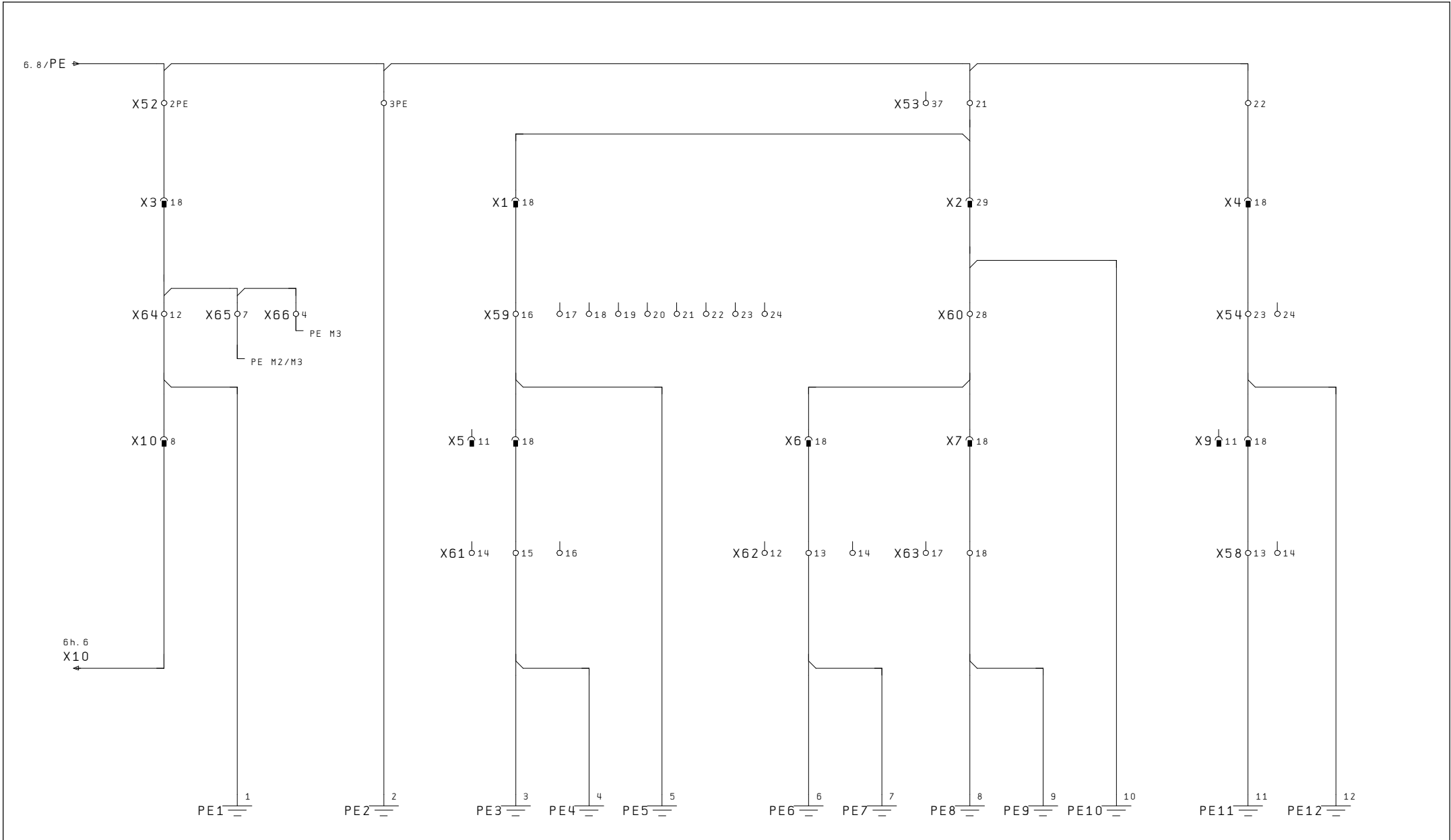
0	1	2	3	4	5	6	7	8	9
	Datum	Typ 7823/2	safety loop		uwe GmbH		Z.-Nr.: A7000/451		
	Bearb. MNU	Sunboard			Buchstrasse 82 · Postfach 2020		Mat.-Nr.:		B1. 6g
	04. Aug. 2004	USA			D-73510 Schwäbisch Gmünd		265399		58 B1.
Anderung	Datum	Name	Norm	Urspr.	Ers. f.	Ers. d.			



6g		1		2		3		4		5		6		7		8		9		6i	
		date		Typ 7823/2		fan circuit								drawing-no. A7000/451						UWEFL0R4	
		drawn		Sunboard										ident. -no. :						page 6h	
04. Aug. 2004		checked		USA										265399						58 pages	
modific.		date		origin		repl. for		repl. by													

uwe GmbH  
 Buchstrasse 82 · Postfach 2020  
 D-73510 Schwäbisch Gmünd





6h

7

0		1		2		3		4		5		6		7		8		9	
		date		Typ 7823/2				PE						drawing-no. A7000/451				UWEFL0R4	
		drawn		Sunboard										ident. -no. :				page 6i	
04. Aug. 2004		checked		USA										265399				58 pages	
modific. date		name norm		origin		repl. for		repl. by											
		NOS		USA															
		18. Okt. 2004																	

uwe GmbH  
 Buchstrasse 82 · Postfach 2020  
 D-73510 Schwäbisch Gmünd




terminal diagram

KLEIN\_LENG\_03\_01\_2001

function text	cabelname	cabeltype	identification terminal block X1										page/path
			finish designation	connection	terminal number	bridges	device connection	finish designation	connection	terminal number	bridges	device connection	
			X59 2	2	1			X53 5	5				6c. 2
			X59 4	4	2			X53 5	5				6c. 5
			X59 6	6	3			X53 6	6				6c. 7
			X59 8	8	4			X53 33	33				6d. 3
			X59 10	10	5			X53 34	34				6d. 5
			X59 11	11	6			X53 2	2				6c. 2
			X59 12	12	7			X53 2	2				6c. 4
			X59 13	13	8			X53 3	3				6c. 7
			X59 14	14	9			X53 31	31				6d. 3
			X59 15	15	10			X53 32	32				6d. 5
			X59 16	16	18			X2 29	29				6i. 3

6i

8

0		1		2		3		4		5		6		7		8		9	
date	04. Aug. 2004	name		date	04. Aug. 2004	name		date	04. Aug. 2004	name		date	04. Aug. 2004	name		date	04. Aug. 2004	name	
drawn	NOS	norm		checked	18. Okt. 2004	norm		checked	18. Okt. 2004	norm		checked	18. Okt. 2004	norm		checked	18. Okt. 2004	norm	
origin	Typ 7823/2 Sunboard USA	repl. for		repl. by	X1	repl. for		repl. by	X1	repl. for		repl. by	X1	repl. for		repl. by	X1	repl. for	
uwe GmbH Buchstrasse 82 · Postfach 2020 D-73510 Schwäbisch Gmünd												drawing-no. A7000/451				ident. -no. : 265999			
UWEPL0R4																			
																page 7			
58 pages																			

# terminal diagram

KLEIN\_LENG\_03\_01\_2001

function text	cabelname	cabeltype	identification terminal block						cabelname	cabeltype	page/path
			finish designation	connection	terminal number	bridges	device connection	finish designation			
			X60 11	X53 16	5					6f. 5	
			X60 6	X53 18	6					6f. 5	
			X60 12	X53 16	7					6f. 7	
			X60 8	X53 18	8					6f. 7	
			X53 34	X60 14	9					6d. 8	
			X53 13	X60 16	10					6e. 3	
			X53 14	X60 18	11					6e. 5	
			X53 14	X60 20	12					6e. 8	
			X60 21	X53 32	13					6d. 8	
			X60 22	X53 9	14					6e. 2	
			X60 23	X53 10	15					6e. 5	
			X60 24	X53 10	16					6e. 7	
			X60 25	X53 39	17					6h. 7	
			X60 26	X53 40	18					6h. 7	
			X60 27	X53 42	19					6h. 7	
					20					6f. 4	
					21					6f. 4	
			X60 10	X53 15	22					6f. 3	
			X60 4	X53 17	23					6f. 3	
					24					6f. 4	
			X60 9	F2 -2	25					6f. 1	
			X60 2	F9 -2	26					6f. 2	
					27					6f. 4	
			X60 28	X53 21 X1 18	29					6i. 6	

7									9
		</							



terminal diagram

KLEIN\_LENG\_03\_01\_2001

function text	cabelname	cabeltype	identification terminal block X4										cabelname	cabeltype	page/path	
			finish designation	connection	terminal number	bridges	device connection	finish designation	connection	terminal number	bridges	device connection				
			X54	3	1											6a.3
			X54	7	2											6a.6
			X54	9	3											6a.2
			X54	10	4											6a.5
			X54	14	5											6b.3
			X54	18	6											6b.6
			X54	19	7											6b.3
			X54	20	8											6b.6
			X54	21	9											6h.9
			X54	22	10											6h.9
			X54	11	11											6a.8
			X54	8	12											6a.9
			X54	23	18											6i.8

9

11

0		1		2		3		4		5		6		7		8		9			
date	04. Aug. 2004	date	04. Aug. 2004	drawn	NOS	origin	Typ 7823/2 Sunboard USA	repl. for	X4	repl. by		UWE GmbH Buchstrasse 82 · Postfach 2020 D-73510 Schwäbisch Gmünd	drawing-no.	A7000/451		ident. -no. :	265399	page	10		
checked	18. Okt. 2004	checked	18. Okt. 2004	checked	18. Okt. 2004	checked	18. Okt. 2004	checked	18. Okt. 2004	checked	18. Okt. 2004	checked	18. Okt. 2004	checked	18. Okt. 2004	checked	18. Okt. 2004	checked	18. Okt. 2004	pages	58

UWEFL0R4



terminal diagram

KLEIN\_LENG\_03\_01\_2001

identification terminal block	cabelname	cabeltype	connection	finish designation	device connection	bridges	terminal number	connection	finish designation	function text	cabelname	cabeltype	page/path
X5			X59	X59			1	X61	X61				6c.2
			X59	X59			2	X61	X61				6c.2
			X59	X59			3	X61	X61				6c.4
			X59	X59			4	X61	X61				6c.5
			X59	X59			5	X61	X61				6c.7
			X59	X59			6	X61	X61				6c.7
			X59	X59			7	X61	X61				6d.3
			X59	X59			8	X61	X61				6d.3
			X59	X59			9	X61	X61				6d.5
			X59	X59			10	X61	X61				6d.5
													6i.3
													6i.3

10

12

0		1		2		3		4		5		6		7		8		9		
		date	04. Aug. 2004	Typ 7823/2		X5								drawing-no. A7000/451				UWEFL0R4		
		drawn	NOS	Sunboard																
	04. Aug. 2004	checked	18. Okt. 2004	USA																
modific.	date	name	norm	origin	repl. for	repl. by													page	11
																			pages	58

uwe GmbH  
 Buchstrasse 82 · Postfach 2020  
 D-73510 Schwäbisch Gmünd



ident. -no. :  
 265399































function text	cabelname	cabeltype	identification terminal block X57												cabelname	cabeltype	page/path
			finish designation	connection	terminal number	bridges	device connection	finish designation	connection	terminal number	bridges	device connection	finish designation	connection			
			Z1	B	1											6a.2	
			Z2	B	2											6a.4	
			X8	3	3											6a.3	
			Z3	B	4											6a.5	
			Z4	B	5											6a.7	
			Z5	B	6											6a.8	
			X8	7	7											6a.6	
			X8	8	8											6a.9	
			S5		9											6g.5	
			S1		10											6g.6	
					11											6g.5	
					12											6g.7	

0		1		2		3		4		5		6		7		8		9	
date	04. Aug. 2004	date	04. Aug. 2004	drawn	NOS	drawn	NOS	checked	18. Okt. 2004	checked	18. Okt. 2004	origin	USA	repl. for	X57	repl. by			
UWE		UWE		UWE		UWE		UWE		UWE		UWE		UWE		UWE		UWE	
UWE GmbH Buchstrasse 82 · Postfach 2020 D-73510 Schwäbisch Gmünd												drawing-no. A7000/451				ident. -no. : 265399			
UWEFL0R4																page 27			
58 pages																			

terminal diagram

identification terminal block X58	cabelname	cabeltype	connection	finish designation	device connection	bridges	terminal number	connection	finish designation	function text	cabelname	cabeltype	page/path
			X9 1	X9			1	B	Z6				6b.3
			X9 2	X9			2	B	Z7				6b.4
			Z6 N	Z6			3	X9	X9				6b.3
			Z7 N	Z7			4	B	Z8				6b.6
			X9 4	X9			5	B	Z9				6b.7
			X9 5	X9			6	B	Z10				6b.8
			X9 6	X9			7	N	X9				6b.6
			Z8 N	Z8			8	N	Z10				6h.9
			Z9 N	Z9			9	N	Z10				6h.9
			X9 9	X9			10		X9				6g.6
			E24floorlight	E24floorlight			11		S6				6g.6
							12		S10				6g.7
							13		PE11				6i.8
							14						6i.8

0		1		2		3		4		5		6		7		8		9	
date	04. Aug. 2004	drawn	NOS	Typ	7823/2	X58								drawing-no. A7000/451				UWEFL0R4	
checked	18. Okt. 2004	name	USA	origin	Sunboard									ident. -no. :				page 28	
modific.	04. Aug. 2004	norm		repl. for										265399				58 pages	

UWE GmbH  
 Buchstrasse 82 · Postfach 2020  
 D-73510 Schwäbisch Gmünd







terminal diagram

KLEH\_LENG\_03\_01\_2001

identification terminal block	cabelname	cabeltype	connection	finish designation	device connection	bridges	terminal number	connection	finish designation	page/path
X60	WX60/L17A160W WX60/L17C160W		2	L20A160W			1	X7 1		6f. 1
			2		X7 2	2	X2 26		6f. 2	
			2	L21A160W	X7 3	3	X7 3			6f. 3
			2	L21C160W	X7 4	4	X2 23			6f. 3
			2	L22A160W	X7 5	5	X7 5			6f. 5
			2	L22C160W	X7 6	6	X2 6			6f. 5
			2	L23A160W	X7 7	7	X7 7			6f. 7
			2	L23C160W	X7 8	8	X2 8			6f. 7
			2	L20A160W	X2 25	9	L20A160W	X		6f. 1
			2	L21A160W	X2 22	10	L21A160W	X		6f. 3
			2	L21C160W	X2 5	11	L21C160W	X		6f. 5
			2	L22A160W	X2 7	12	L22A160W	X		6f. 7
			2	L23A160W	X6 2	13	L23A160W			6d. 8
			2	L16A160W	X6 2	14	L16A160W			6d. 8
			2	L17A160W	X6 3	15	L17A160W			6e. 2
			2	L17C160W	X6 4	16	L17C160W			6e. 3
			2	L18A160W	X6 2	17	L18A160W			6e. 5
			2	L18C160W	X6 6	18	L18C160W			6e. 5
			2	L19A160W	X6 2	19	L19A160W			6e. 7
			2	L19C160W	X6 8	20	L19C160W			6e. 8
			2	L16A160W	X2 13	21	L16A160W	X		6d. 8
			2	L17A160W	X2 14	22	L17A160W	1		6e. 2
			2	L17C160W	X2 15	23	L17C160W	1	X	6e. 5
			2	L18A160W	X2 16	24	L18A160W	1	X	6e. 7
			2	L19C160W	X7 9	25	L19C160W	1	X2 17	6h. 7
			2	L17A160W	X7 11	26	L17A160W	1	X2 18	6h. 7
2	L18A160W	X2 19	27	L18A160W	10	X7 10	6h. 7			
2	L19A160W	X2 29	28	L19A160W	18	X7 18	6i. 6			
2	PE10 10			PE10 10	10	X6 18				

0	1	2	3	4	5	6	7	8	9
	date	04. Aug. 2004	Typ 7823/2	X60			drawing-no. A7000/451		UWEFLOR4
	drawn	NOS	Sunboard						
04. Aug. 2004	checked	18. Okt. 2004	USA				ident. - no. :		page 31
modific.	date	name	norm	origin	repl. for	repl. by	265399		58 pages

uwe GmbH  
 Buchstrasse 82 · Postfach 2020  
 D-73510 Schwäbisch Gmünd



function text	cabelname	cabeltype	identification terminal block X61															
			finish designation	connection	terminal number	bridges	device connection	finish designation	connection	terminal number	bridges	device connection	finish designation	connection	terminal number	bridges	device connection	
	X		Z11	B	1						X5	1					6c.2	
			X5	2	2						Z11	N					6c.2	
	X		Z12	B	3						X5	3					6c.4	
			X5	4	4						Z12	N				X	6c.5	
	X		Z13	B	5						X5	5					6c.7	
			X5	6	6						Z13	N				X	6c.7	
	X		Z14	B	7						X5	7					6d.3	
			X5	8	8						Z14	N				X	6d.3	
	X		Z15	B	9						X5	9					6d.5	
			X5	10	10						Z15	N				X	6d.5	
					11												6d.6	
	X		S11		12						X5a	1					6g.2	
	X		S15		13						X5a	2					6g.2	
					14												6i.3	
			PE3	3	15						X5	18					6i.3	
			PE4	4	16												6i.3	

0		1		2		3		4		5		6		7		8		9	
date	04. Aug. 2004	date	04. Aug. 2004	drawn	NOS	drawn	NOS	checked	18. Okt. 2004	checked	18. Okt. 2004	origin	USA	repl. for	X61	repl. by			
UWEFLOR4																			
UWE GmbH Buchstrasse 82 · Postfach 2020 D-73510 Schwäbisch Gmünd												drawing-no. A7000/451		ident. -no. : 265999		page 32 58 pages			



terminal diagram

identification terminal block  X63	cabelname	cabeltype	connection	finish designation	device connection	bridges	terminal number	connection	finish designation	page/path
	WX7/X63		X7 1	Z20			1	B	Z20	6f. 1
	WX63/S25		X7 2	X7			2	Z	Z20 N	6f. 2
			X7 3	Z21			3	B	X7 3	6f. 3
			X7 4	X7			4	Z	Z21 N	6f. 3
			X7 5	Z22			5	B	X7 5	6f. 5
			X7 6	X7			6	Z	Z22 N	6f. 5
			X7 7	Z23			7	B	X7 7	6f. 7
			X7 8	X7			8	Z	Z23 N	6f. 7
			X7 9	X7			9	B	S25	6h. 7
			X7 10	S25			10	Z	X7 10	6h. 7
			X7 11	X7			11	B	S25	6h. 7
			X7 12				12	Z		6h. 7
			X7 13				13	B		6h. 7
			X7 14				14	Z		6h. 8
			X7 15	S20			15	B	X7a 1	6g. 4
			X7 16	S23			16	Z	X7a 2	6g. 4
			X7 17	PE8			17	B		6i. 6
			X7 18	PE9			18	Z	X7 18	6i. 6

0		1		2		3		4		5		6		7		8		9	
date	04. Aug. 2004	date	04. Aug. 2004	date	04. Aug. 2004	date	04. Aug. 2004	date	04. Aug. 2004	date	04. Aug. 2004	date	04. Aug. 2004	date	04. Aug. 2004	date	04. Aug. 2004	date	04. Aug. 2004
drawn	NOS	drawn	NOS	drawn	NOS	drawn	NOS	drawn	NOS	drawn	NOS	drawn	NOS	drawn	NOS	drawn	NOS	drawn	NOS
checked	18. Okt. 2004	checked	18. Okt. 2004	checked	18. Okt. 2004	checked	18. Okt. 2004	checked	18. Okt. 2004	checked	18. Okt. 2004	checked	18. Okt. 2004	checked	18. Okt. 2004	checked	18. Okt. 2004	checked	18. Okt. 2004
name		name		name		name		name		name		name		name		name		name	
norm		norm		norm		norm		norm		norm		norm		norm		norm		norm	
origin	Typ 7823/2 Sunboard USA	origin	Typ 7823/2 Sunboard USA	origin	Typ 7823/2 Sunboard USA	origin	Typ 7823/2 Sunboard USA	origin	Typ 7823/2 Sunboard USA	origin	Typ 7823/2 Sunboard USA	origin	Typ 7823/2 Sunboard USA	origin	Typ 7823/2 Sunboard USA	origin	Typ 7823/2 Sunboard USA	origin	Typ 7823/2 Sunboard USA
repl. for		repl. for		repl. for		repl. for		repl. for		repl. for		repl. for		repl. for		repl. for		repl. for	
repl. by	X63	repl. by	X63	repl. by	X63	repl. by	X63	repl. by	X63	repl. by	X63	repl. by	X63	repl. by	X63	repl. by	X63	repl. by	X63

uwe GmbH  
Buchstrasse 82 · Postfach 2020  
D-73510 Schwäbisch Gmünd



drawing-no. A7000/451

ident. -no. : 265999

page 34  
58 pages

function text	cabelname	cabeltype	identification terminal block X64												cabelname	cabeltype	page/path
			finish designation	connection	terminal number	bridges	device connection	finish designation	connection	terminal number	bridges	device connection	finish designation	connection			
	WX64/C10		X10 2		1					X3 1						6h. 5	
			X10 1		2					X3 2						6h. 5	
			X10 3		3					X3 3						6h. 4	
			X65 2		4					X3 4						6h. 7	
			X65 1		5					X3 5						6h. 7	
		X	M1 2		6					X3 6						6h. 2	
			X65 4		7					X66 1						6h. 3	
			X3 9		8					C10						6h. 3	
			X3 9		8					X3 7						6h. 1	
			C10		9					S2 flagswitchmainfan						6h. 3	
			S2 flagswitcharmtopfan		10					M1 3						6h. 3	
			X66 3		11					X3 8						6h. 1	
			X10 8		12					M1 4							
			PE1 1							X3 18							
										X65 7							

0		1		2		3		4		5		6		7		8		9	
date	04. Aug. 2004	date	04. Aug. 2004	drawn	NOS	drawn	NOS	checked	18. Okt. 2004	checked	18. Okt. 2004	origin	USA	repl. for	X64	repl. by			
UWE		UWE		UWE		UWE		UWE		UWE		UWE		UWE		UWE		UWE	
UWE GmbH Buchstrasse 82 · Postfach 2020 D-73510 Schwäbisch Gmünd												drawing-no. A7000/451				ident. -no. : 265399			
UWEFLOR4																page 35			
58 pages																			











