



0	1	2	3	4	5	6	7	8	9	10	11	12	13	
page Seiten-Nr.	page designation Seite						drawer Zeichner							
+Allgemein/1	#Titelblatt# #coverpage#						AKO							
+Allgemein/2	#Inhaltsverzeichnis# #page overview#						AKO							
+Allgemein/3	#Inhaltsverzeichnis# #page overview#						AKO							
+Allgemein/4	#Sicherheitskreis# #safety loop#						AKO							
+1/5	#Montageplatte 1# #mountingplate 1#						AKO							
+1/6	#Montageplatte 1# #mountingplate 1#						AKO							
+1/7	#Montageplatte 1# #mountingplate 1#						AKO							
+1/8	#Montageplatte 1# #mountingplate 1#						AKO							
+2/9	#Montageplatte 2# #mountingplate 2#						AKO							
+3/10	#Montageplatte 3# #mountingplate 3#						AKO							
+4/11	#Montageplatte 4# #mountingplate 4#						AKO							
+5/12	#Montageplatte 5# #mountingplate 5#						AKO							
+F/13	#Fluter Lampen# #canope lamps#						AKO							
+F/14	#Fluter GB/UPP# #canope#						AKO							
+F/15	#Fluter Lüfter# #canope fans#						AKO							
+L/16	#Liege# #bed#						AKO							
+FG/17	#Klima; Liegenlüfter# #ac; bedfan#						AKO							
+FG/18	#Breeze; Aroma# #breeze; aroma#						AKO							
+SB/19	#Seitenbräuner# #side tanner#						AKO							
+Klemmen/20	X1-Bu.-ID.-Nr.: 269044 St.-ID.-Nr.: 269043						AKO							
+Klemmen/21	X2-Bu.-ID.-Nr.: 269045 St.-ID.-Nr.: 269046						AKO							
+Klemmen/22	X3-Bu.-ID.-Nr.: 269047 St.-ID.-Nr.: 269048						AKO							
+Klemmen/23	X4-Bu.-ID.-Nr.: 269049 St.-ID.-Nr.: 269050						AKO							
+Klemmen/24	X5-Bu.-ID.-Nr.: 269051 St.-ID.-Nr.: 269052						AKO							
+Klemmen/25	X6-Bu.-ID.-Nr.: 269053 St.-ID.-Nr.: 269054						AKO							
+Klemmen/26	X7-Bu.-ID.-Nr.: 269055 St.-ID.-Nr.: 269056						AKO							
+Klemmen/28	X9-Bu.-ID.-Nr.: 267661 St.-ID.-Nr.: 267696						AKO							
+Klemmen/29	X10-Bu.-ID.-Nr.: 269557 St.-ID.-Nr.: 269057						AKO							
+Klemmen/30	X11-Bu.-ID.-Nr.: 269520 St.-ID.-Nr.: 269058						AKO							
+Klemmen/31	X16-Bu.-ID.-Nr.: 269059 St.-ID.-Nr.: 269060						AKO							
+Klemmen/32	X17-Bu.-ID.-Nr.: 269061 St.-ID.-Nr.: 269063						AKO							
+Klemmen/33	X18-Bu.-ID.-Nr.: 269076 St.-ID.-Nr.: 269075						AKO							
+Klemmen/34	X22-Bu.-ID.-Nr.: 269078 St.-ID.-Nr.: 269080						AKO							
+Klemmen/35	X23-Bu.-ID.-Nr.: 269076 St.-ID.-Nr.: 269075						AKO							
+Klemmen/36	X26-Bu.-ID.-Nr.: 269064 St.-ID.-Nr.: 269065						AKO							
+Klemmen/37	X33-Bu.-ID.-Nr.: 269066 St.-ID.-Nr.: 269067						AKO							
+Klemmen/38	X36-Bu.-ID.-Nr.: 269567 St.-ID.-Nr.: 269486						AKO							
+Klemmen/39	X37-Bu.-ID.-Nr.: 269057 St.-ID.-Nr.: LED						AKO							
+Klemmen/40	X38-Bu.-ID.-Nr.: 269558 St.-ID.-Nr.: LED						AKO							
+Klemmen/41	X40-Bu.-ID.-Nr.: 269056 St.-ID.-Nr.: Aroma						AKO							
+Klemmen/42	X41-Bu.-ID.-Nr.: Aroma St.-ID.-Nr.: Aroma						AKO							
+Klemmen/43	X42-Bu.-ID.-Nr.: 269511 St.-ID.-Nr.: 269508						AKO							
+Klemmen/44	X52-Hauptklemme						AKO							
+Klemmen/45	X56-Klemme Montageplatte Liege						AKO							
+Klemmen/46	X58-Klemme Liegenlüfter						AKO							
+Klemmen/47	X60-Klemme Mtpl. Fluter/Liege						AKO							
+Klemmen/48	X63-Klemme Mtpl. Gesichtsbreuner						AKO							
+Klemmen/49	X64-Klemme Taumelmotore						AKO							
+Klemmen/50	X65-Hauptklemme Fluter						AKO							
+Klemmen/51	X65-Hauptklemme Fluter						AKO							
+Klemmen/52	X66-Klemme Seitenbräuner Fussesseitig						AKO							
+Klemmen/53	X67-Klemme Körperlüfter M2.1						AKO							
+Klemmen/54	X68-Klemme Körperlüfter M2.2						AKO							
+Klemmen/55	X70-Klemme Liege Lampenanschluss						AKO							
+Klemmen/57	X73Klemme Körperlüfter						AKO							
+Klemmen/58	X74Klemme Fluterlüfter						AKO							
+Klemmen/59	X75Klemme Körperlüfter						AKO							
+Klemmen/60	X76Klemme Gesichtslüfter						AKO							
+Klemmen/61	X77 Klemme Aroma; Pumpen						AKO							
+Klemmen/62	X10b-Bu.-ID.-Nr.: 269519 St.-ID.-Nr.: 269512						AKO							
+Klemmen/63	X10c-Bu.-ID.-Nr.: 269557 St.-ID.-Nr.: 269485						AKO							
+Klemmen/64	X10d-Bu.-ID.-Nr.: 269557 St.-ID.-Nr.: 269558						AKO							
+Klemmen/65	X12a-Bu.-ID.-Nr.: 270568 St.-ID.-Nr.: 270567						AKO							

## Klemmen und Stecker:

Steck-	Montageplatte 1 - X1 ...	X10
verbindungen:	Montageplatte 2 - X11 ...	X15
	Montageplatte 3 - X16 ...	X20
	Montageplatte 4 - X21 ...	X25
	Montageplatte 5 - X26 ...	X30
Klemmen	-	X50 ... X99
andere Komponenten	-	X100 ...

## Betriebsmittelkennzeichen

Vorschaltgeräte	L
Zündgeräte	Z
Schalter	S
Zeitschaltuhren	P
Lampen	E
Hintergrund- beleuchtung	>E100

A1 Sol Basis	M1 Hauptlüfter	T1 WLRf
A2 Sol Addon	M2 Körperlüfter	T2 aroma
A3 Klima/ AC	M3 Gesichtslüfter	Y1 Breeze
A4 Steuerung	M4 Fluterlüfter	Y2 Aroma
Erweiterung	M5 GB fan	
A5 Aroma	M6 breeze 1	
A6 nc	M7 breeze 2	
A7 Verstärker	M8 bed fan	
A8 nc	M9 WLRf	
A9 nc	M10 aromamodul	
A10 Münzer	M11 nc.	
A11 T-Max		
A12 WLRf		
A13 nc.		
A14 Relaiskarte für EVG		
A15 EVG		

## Ortskennzeichnung

+1	Montageplatte 1
+2	Montageplatte 2
bis	bis
+5	Montageplatte 5
+L	Liege
+F	Fluter
+FG	Fussgestell
+SB	Seitenbräuner

## Farbcodierung

Weiss	WH
Rot	RD
Blau	BU
Grün	GN
Gelb	YE
Grau	GY
Braun	BN
Orange	OG
Schwarz	BK
Beige	BE
Violett	VI
Grün- Gelb	GNYE

terminals:	
connectors	X0 ... X49
terminal blocks	X50 ... X99
ext. components and subassembly	X100 ... X199

## component identification

ballasts	L
ignition components	Z
lamps	E
control components	A
fans; motors	M
circuit breaker	S
timer	P
control switch	0
LP base lamps	E1- E20
HP and LP lamps canopy	Z21- Z38
background light illumination	E101 - E105
floorlight	E100

## color code

white	WH
red	RD
blue	BU
green	GN
yellow	YE
grey	GY
brown	BN
orange	OG
black	BK
turquoise	TQ
ivory	IV
beige	BE
oliv	OL
violett	VI
green yellow	GNYE

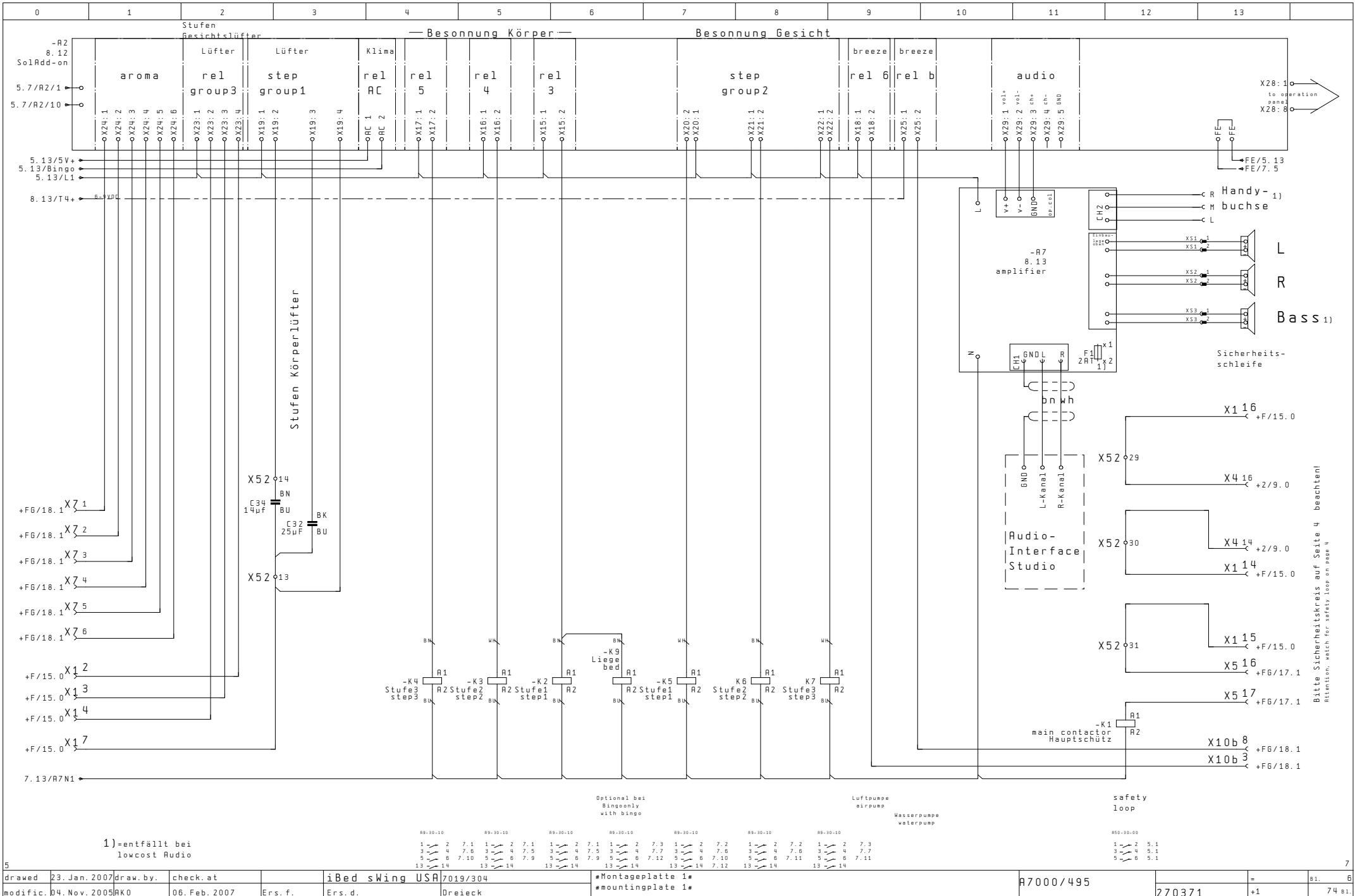
drawn	23. Jan. 2007	draw. by.	check. at	iBed sWing USA	7019/304	#Inhaltsverzeichnis#	A7000/495						
modific.	04. Nov. 2005	AKO	06. Feb. 2007	Ers. f.	Ers. d.	Dreieck	#page overview#	270371	+Allgemein	74 bl.			

0	1	2	3	4	5	6	7	8	9	10	11	12	13	
page Seiten-Nr.	page designation Seite					drawer Zeichner	<b>Klemmen und Stecker:</b>					terminals:		
+Klemmen/66	X12b-Bu.-ID.-Nr.: 270568 St.-ID.-Nr.: 270567					AKO	Steck- Montageplatte 1 - X1 ... X10					connectors X0 ... X49		
+Klemmen/69	X65a Hilfsklemme Fluter					AKO	verbindungen: Montageplatte 2 - X11 ... X15					terminal blocks X50 ... X99		
+Klemmen/70	X65b Hilfsklemme Fluter					AKO	Montageplatte 3 - X16 ... X20					ext. components and subassembly X100 ... X199		
+Klemmen/71	X65c Hilfsklemme Fluter					AKO	Montageplatte 4 - X21 ... X25					component identification		
+Klemmen/72	X65d Hilfsklemme Fluter					AKO	Montageplatte 5 - X26 ... X30					ballasts L		
+Klemmen/73	X78-Klemme Schulterräuner links					AKO	Klemmen - X50 ... X99					ignition components Z		
+Klemmen/74	X79-Klemme Schulterräuner rechts					AKO	andere Komponenten - X100 ...					lamps E		
Ränderungen/73	Änderungen					AKO	<b>Betriebsmittelkennzeichen</b>					control components A		
Ränderungen/74	Codierungen					AKO	Vorschaltgeräte L					fans; motors M		
							Zündgeräte Z					circuit breaker S		
							Schalter S					timer P		
							Zeitschaltuhren P					control switch Q		
							Lampen E					LP base lamps E1- E20		
							Hintergrund- >E100					HP and LP lamps canopy Z21- Z38		
							beleuchtung					background E101 - E105		
							A1 Sol Basis M1 Hauptlüfter T1 WLRF					light illumination		
							A2 Sol Addon M2 Körperlüfter T2 aroma					floorlight E100		
							A3 Klima/ AC M3 Gesichtslüfter Y1 Breeze							
							A4 Steuerung M4 Fluterlüfter Y2 Aroma							
							Erweiterung M5 GB fan							
							A5 Aroma M6 breeze 1							
							A6 nc M7 breeze 2							
							A7 Verstärker M8 bed fan							
							A8 nc M9 WLRF							
							A9 nc M10 aromamodul							
							A10 Münzer M11 nc.							
							A11 T-Max							
							A12 WLRF							
							A13 nc.							
							A14 Relaiskarte für EVG							
							A15 EVG							
							<b>Ortskennzeichnung</b>					color code		
							+1 Montageplatte 1					white WH		
							+2 Montageplatte 2					red RD		
							bis bis					blue BU		
							+5 Montageplatte 5					green GN		
							+L Liege					yellow YE		
							+F Fluter					grey GY		
							+FG Fussgestell					brown BN		
							+SB Seitenbräuner					orange OG		
							<b>Farbcodierung</b>					black BK		
							Weiss WH					turquoise TQ		
							Rot RD					ivory IV		
							Blau BU					beige BE		
							Grün GN					oliv OL		
							Gelb YE					violett VI		
							Grau GY					green yellow GNYE		
							Braun BN							
							Orange OG							
							Schwarz BK							
							Beige BE							
							Violett VI							
							Grün- Gelb GNYE							

UWER2 23. Jan. 2007

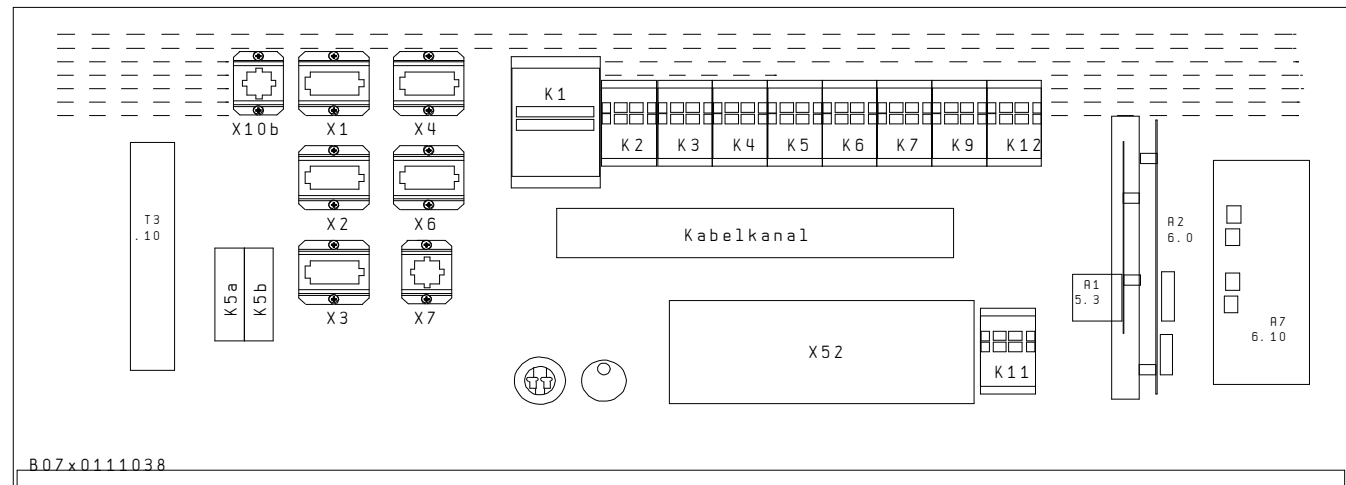
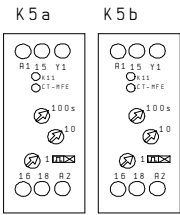
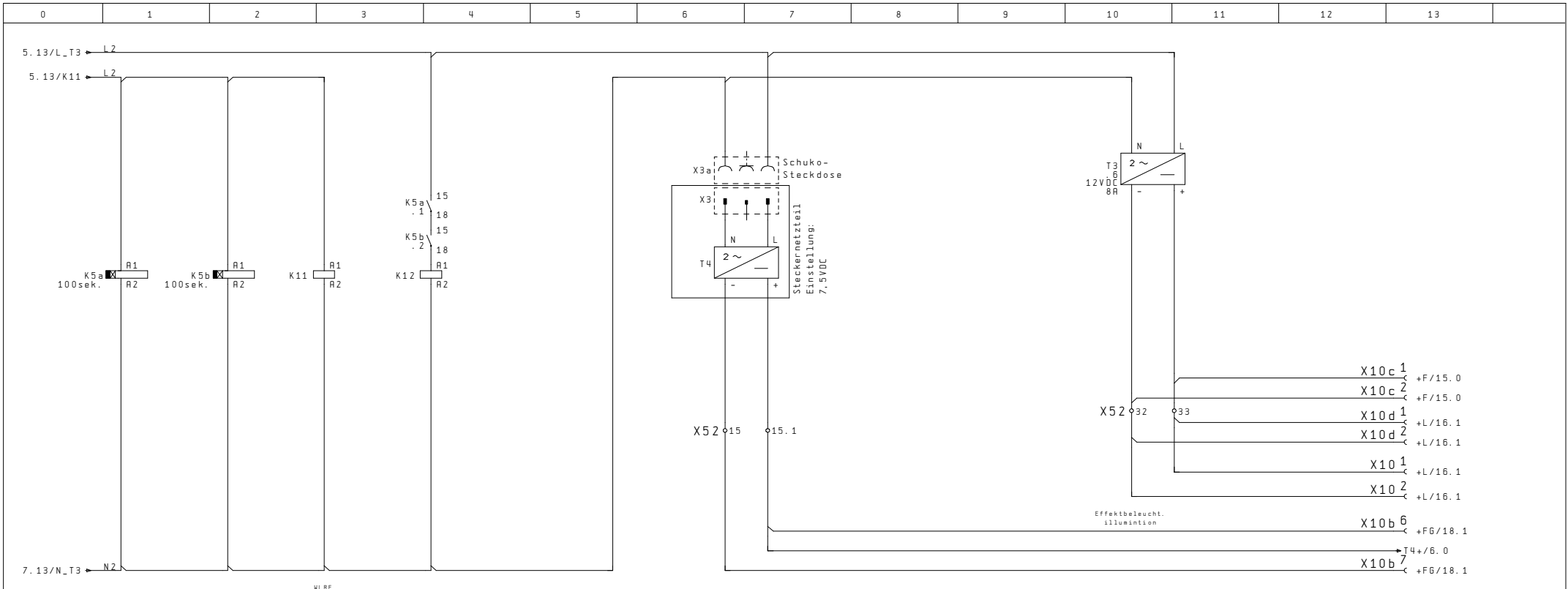




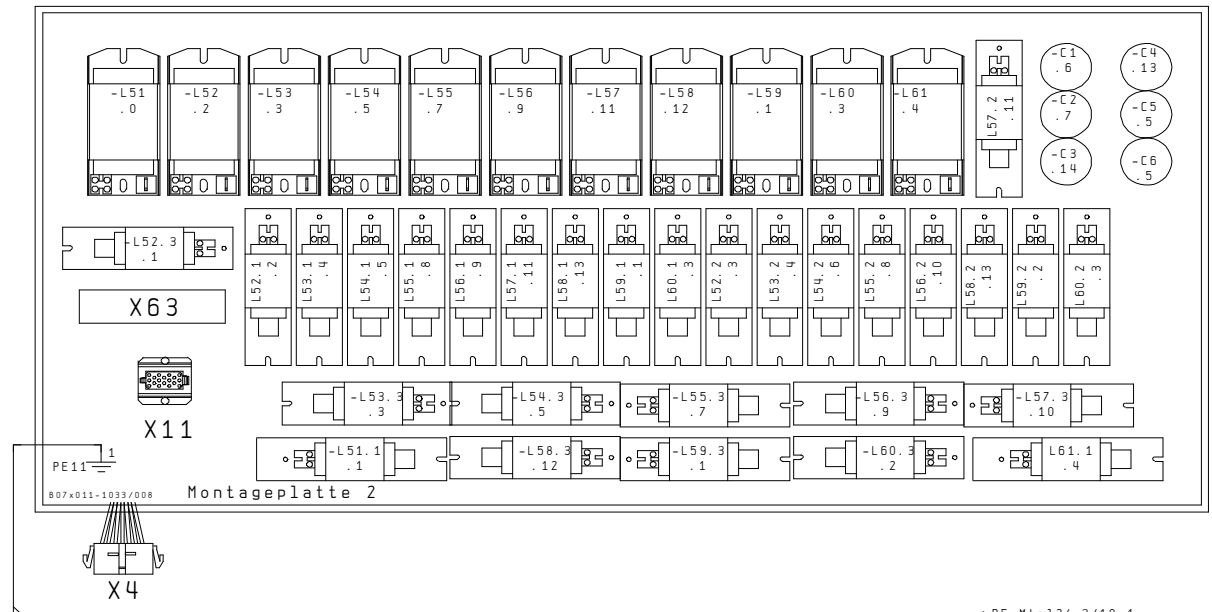
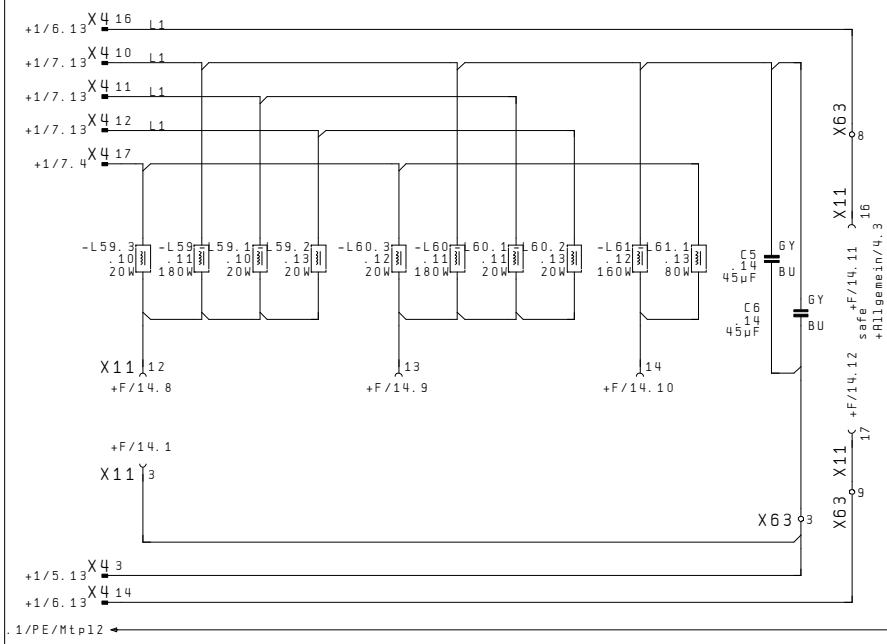
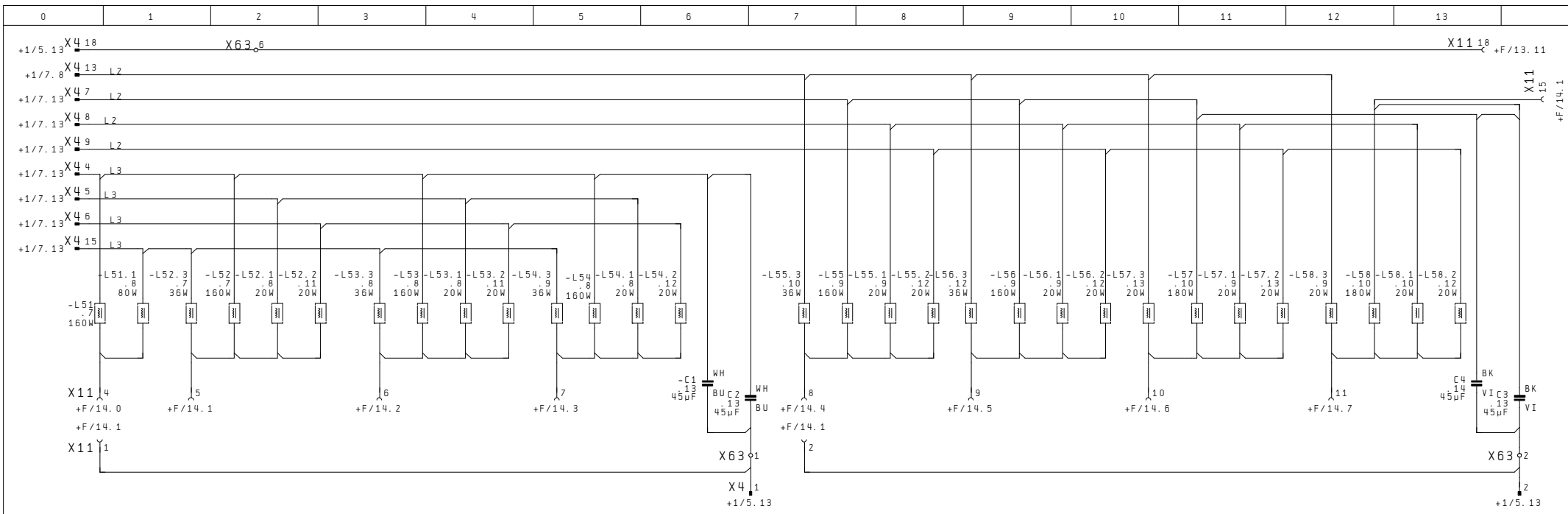


Bitte Sicherheitskreis auf Seite 4 beachten!  
Attention, watch for safety loop on page 4

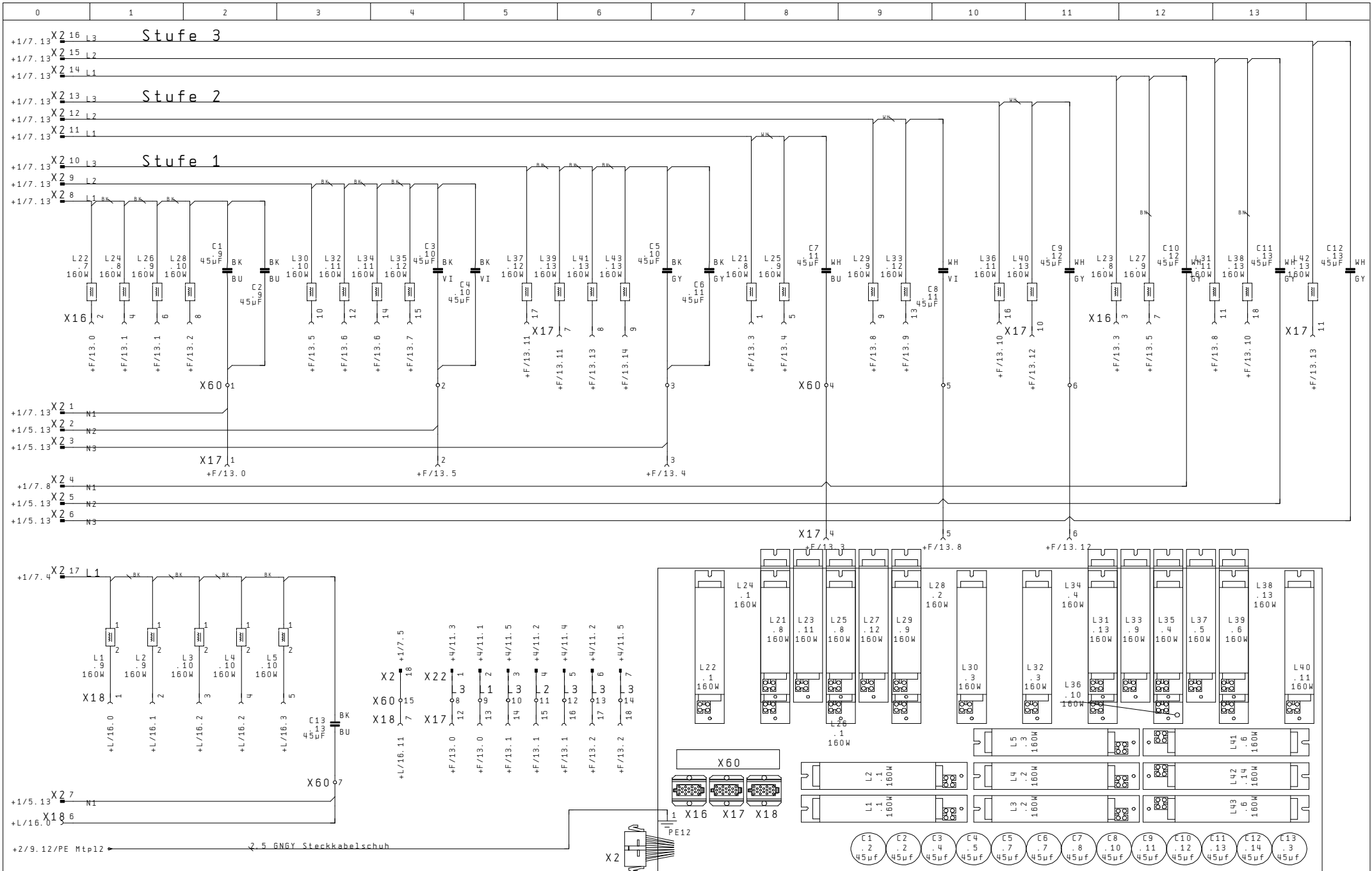




15	18	.4	15	18	.4
89-30-10		89-30-10			
1	2	5.11	1	2	7.4
3	4	5.12	3	4	7.8
5	6		5	6	7.13
13	14		13	14	



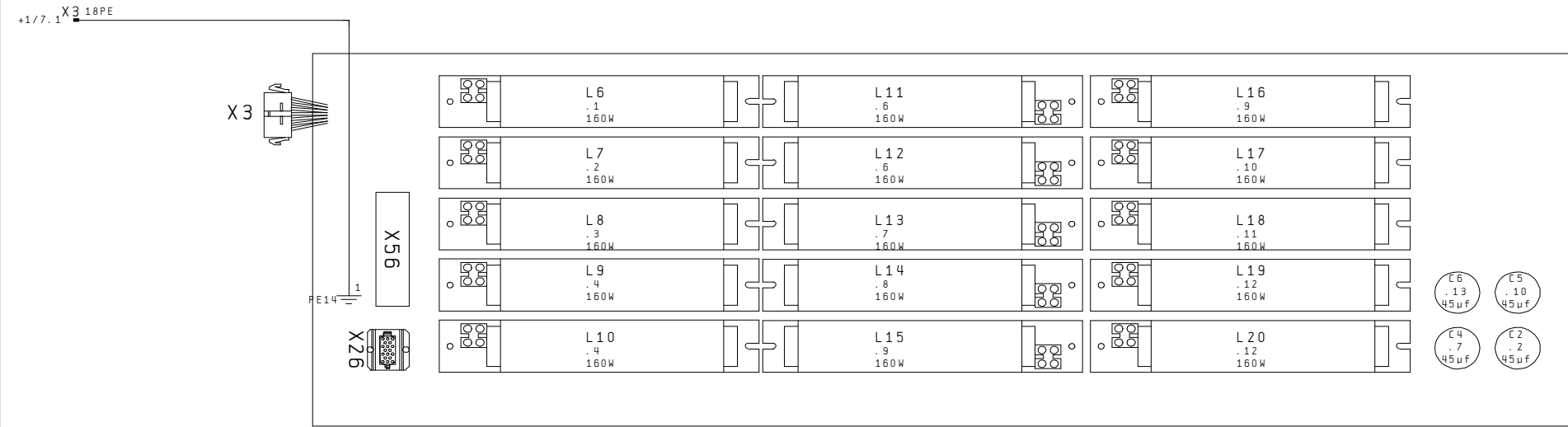
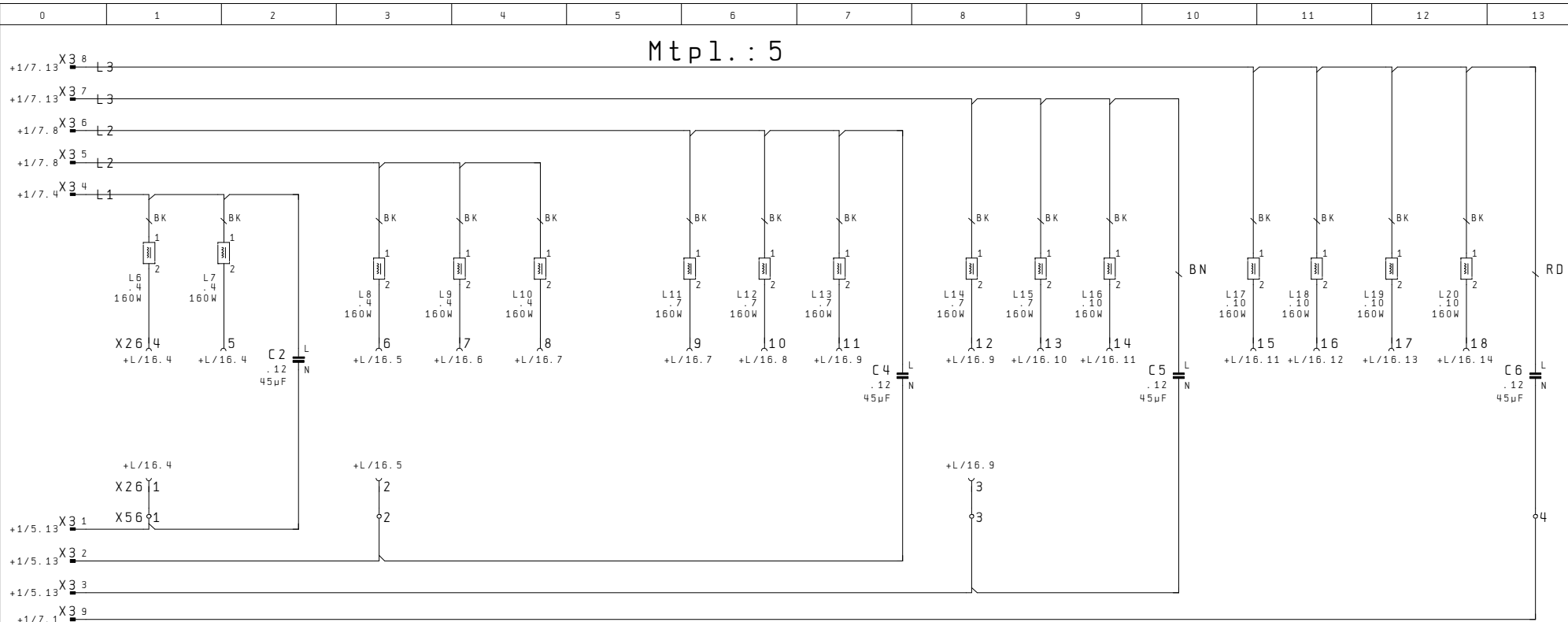
drawn	24. Jan. 2007	draw.by.	check.at		iBed swing USA	7019/304	#Montageplatte 2	A7000/495	=	B1.	9
modific.	04. Nov. 2005	ARKO	06. Feb. 2007	Ers. f.	Ers. d.	Dreieck	#mountingplate 2	270371	+2		74 B1.



drawn	23. Jan. 2007	draw.by.	check.at	iBed swing USA	7019/304	#Montageplatte 3#	A7000/495	=	B1. 10	
modific.	04. Nov. 2005	ARKO	06. Feb. 2007	Ers. f.	Ers. d.	Dreieck	#mountingplate 3#	270371	+3	74 B1.

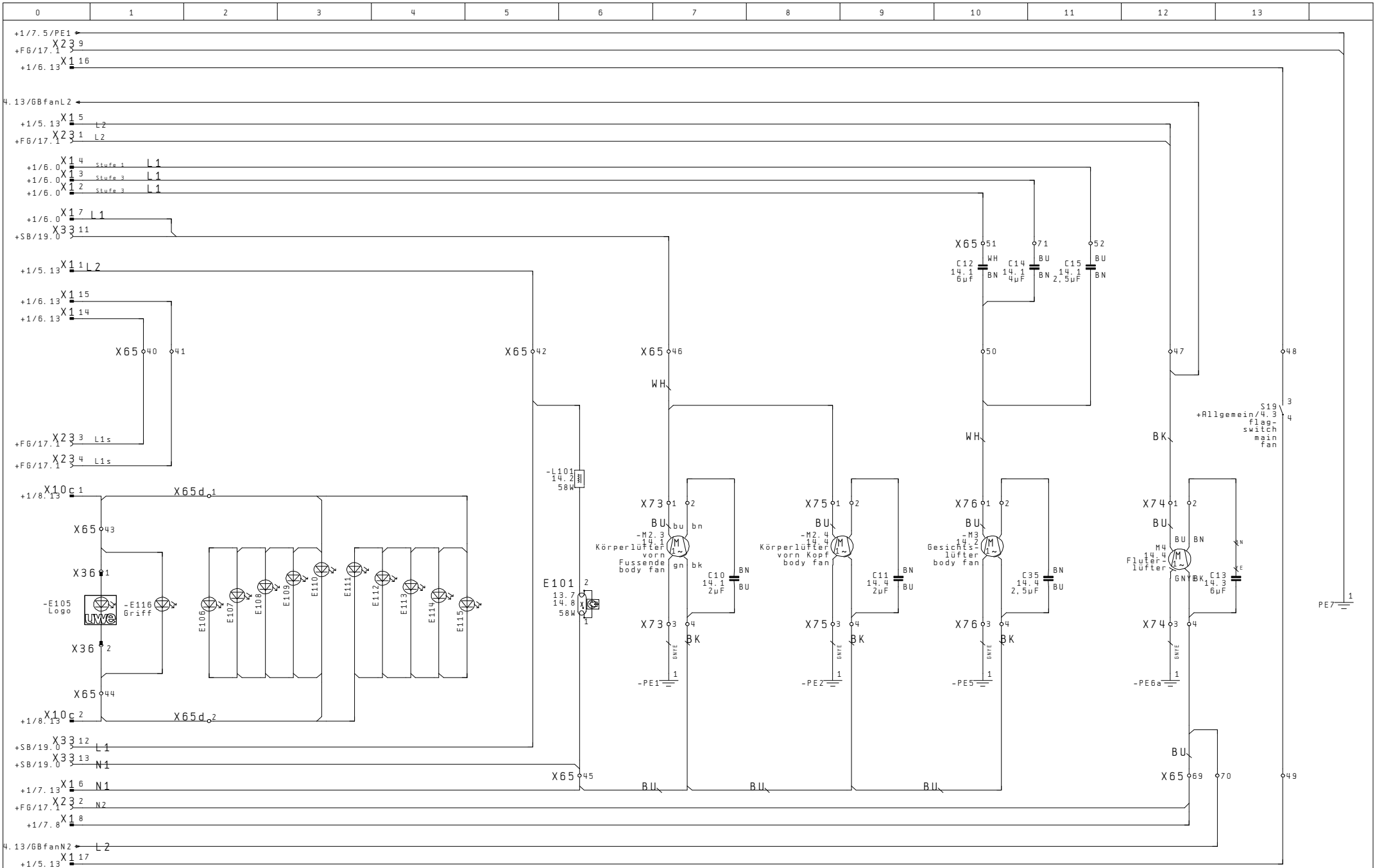


### Mtp1.: 5









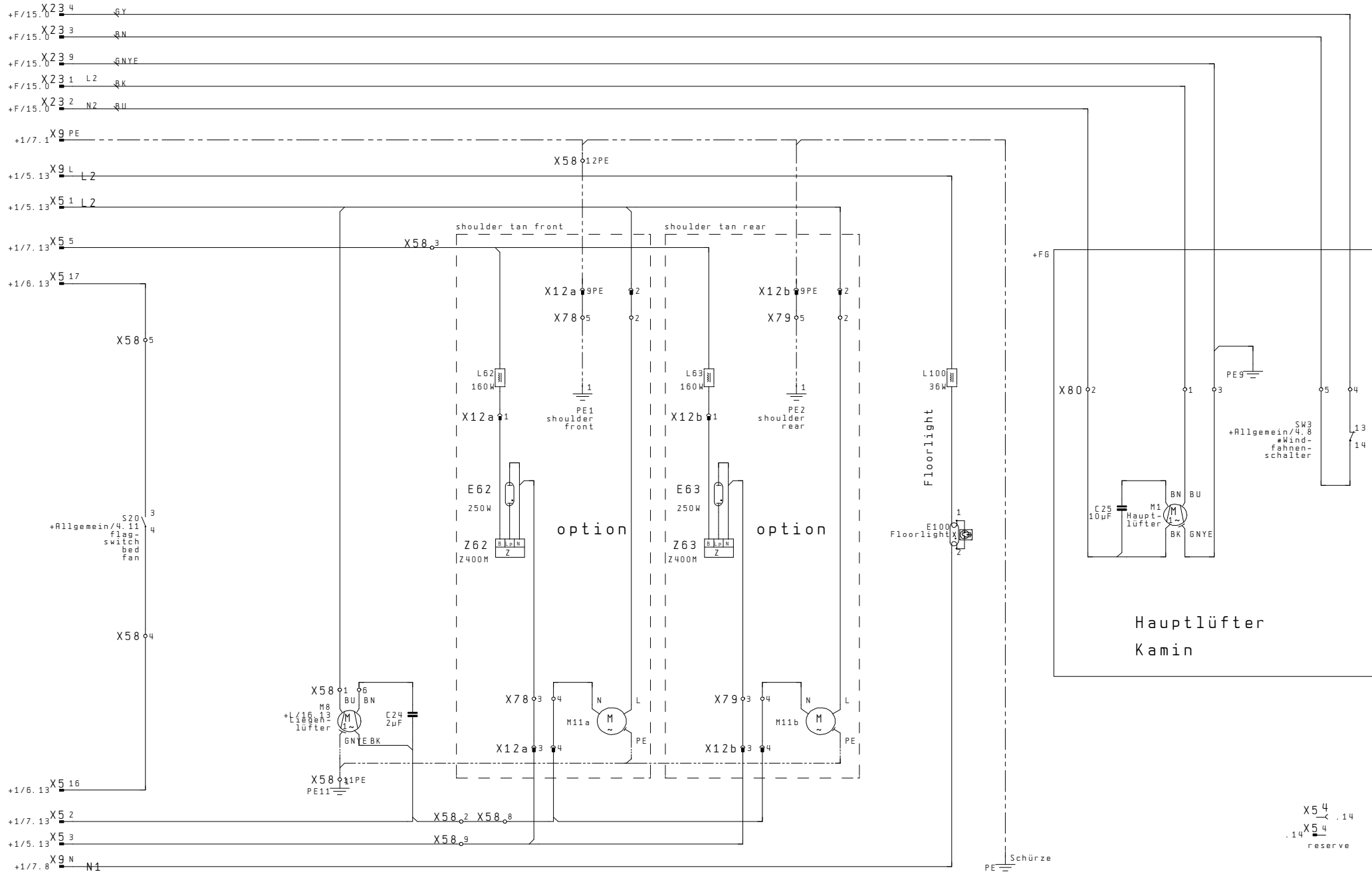
drawn	23. Jan. 2007	draw.by.	check.at		iBed swing USA	7019/304	#Fluter Lüfter#	A7000/495	=	B1.	15
modific.	04. Nov. 2005	ARKO	06. Feb. 2007	Ers. f.	Ers. d.	Dreieck	#canope fans#	270371	+F		74 B1.





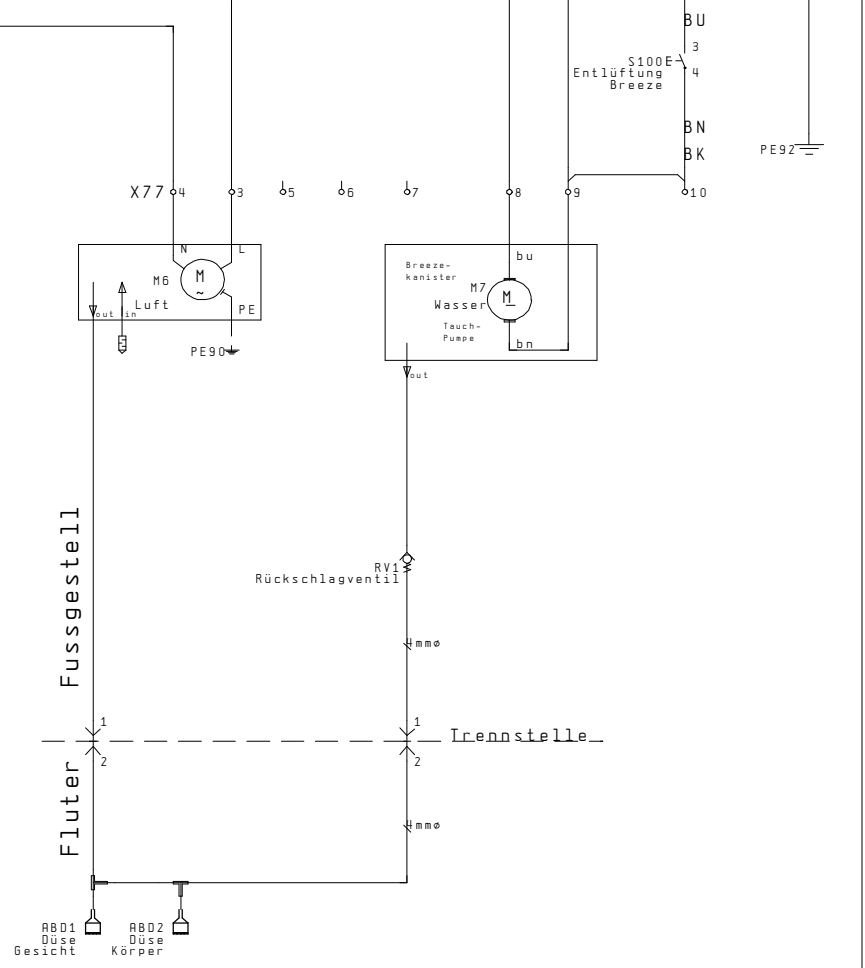
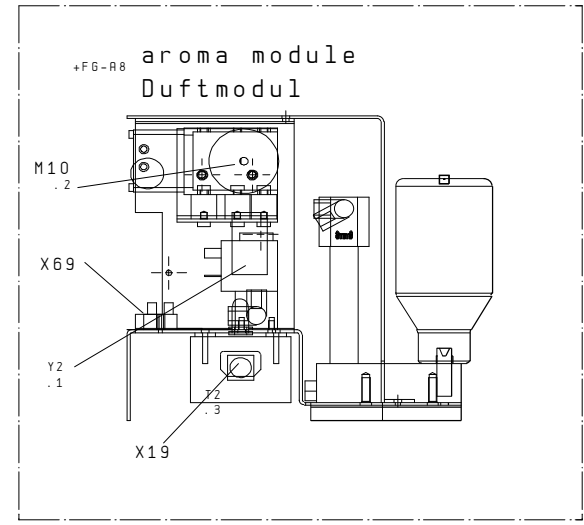
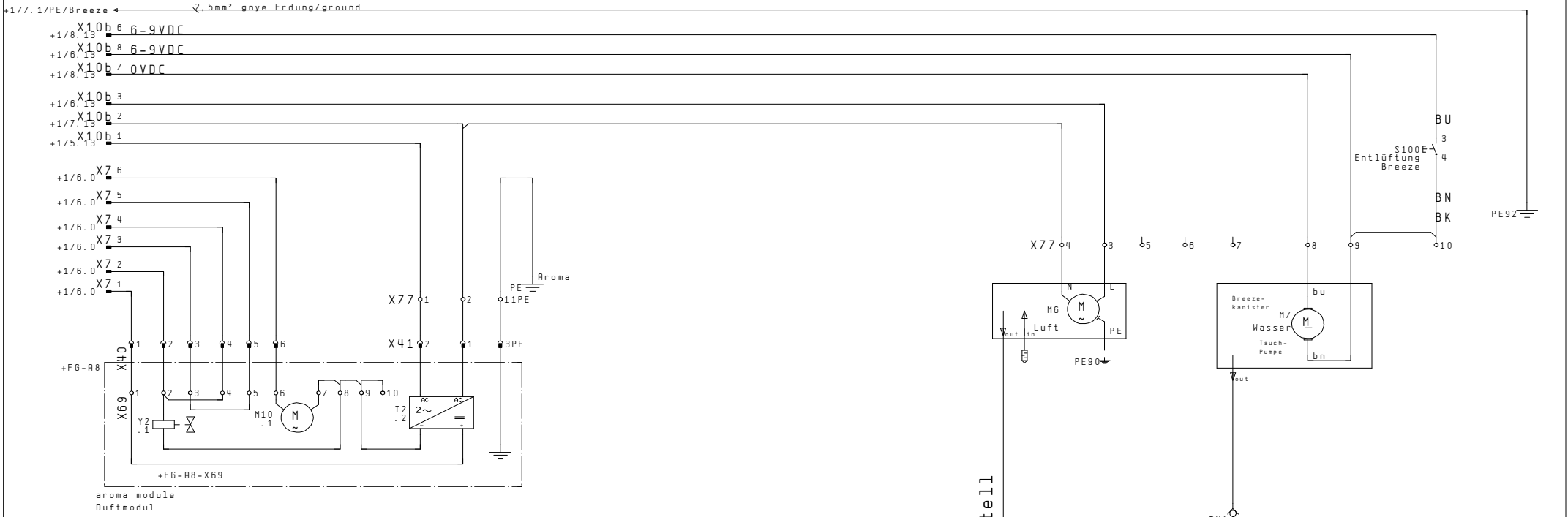
0	1	2	3	4	5	6	7	8	9	10	11	12	13	
page/path		+1/5.1	+1/5.1	+1/5.1	+1/5.1									
<b>Leistensbezeichnung</b> terminal block <u>+L-X51.2</u>		connection	L1.	L2.	L3.	PE.								
		finish designation	-Z1	-Z1	-Z1	-Z1								
		bridges												
		terminal number	1	2	3	5	7	5PE						
		connection	1	3	5	7	5PE							
finish designation		X5Z	X5Z	X5Z	X5Z									
cabelname type color														

Klemmenplan terminal diagram



+L/18	drawn 23. Jan. 2007	drawn by. check.at	iBed swing USA	7019/304	*Klima: Liegenlüfter*	A7000/495			B1. 17
	modific. 04. Nov. 2005	ARKO	06. Feb. 2007	Ers. f.	Ers. d.	Dreieck	*ac: bedfan*	270371	+FG 74 B1.

0	1	2	3	4	5	6	7	8	9	10	11	12	13	
---	---	---	---	---	---	---	---	---	---	----	----	----	----	--



17	drawn 23. Jan. 2007	draw. by. check.at		iBed swing USA	7019/304	#Breeze: Aroma#	A7000/495	=	B1: 18
	modific. 04. Nov. 2005	ARK0	06. Feb. 2007	Ers. f. Ers. d.	Dreieck	#breeze: aroma#	270371	+FG	74 B1.







0		1		2		3		4		5		6		7		8		9		10		11		12		13			
page/path		+1/5.13		+1/5.13		+1/5.13		+1/7.4		+1/7.8		+1/7.8		+1/7.13		+1/7.13		+1/7.1		+1/7.1									
cabelname		type		color		connection		finish designation		bridges		terminal number		connection		finish designation													
<b>Leistensbezeichnung</b> terminal block <b>X3</b>		18		23		28		2		4		4		6		6		11		8									
		X52		X52		X52		+1-K9		+1-K9		+1-K9		+1-K9		+1-K9		X52		X52									
		1		2		3		1		1		1		1		1		4		18PE									
		1		2		3		1		1		1		1		1		4		1									
		1		1		1		1		1		1		1		1		1		1									
		1		1		1		1		1		1		1		1		1		1									
		1		1		1		1		1		1		1		1		1		1									
		1		1		1		1		1		1		1		1		1		1									
cabelname		type		color		1x																							
WX3/+5-L6		1x																											
WX3/+5-L8		1x																											
WX3/+5-L11		1x																											
WX3/+5-L14		1x																											
WX3/+5-L17		1x																											

Klemmenplan terminal diagram



0	1	2	3	4	5	6	7	8	9	10	11	12	13
page/path		+1/5.13	+1/7.13	+1/5.13	+FG/17.14	+1/7.13	+1/6.13	+1/6.13					
cabelname													
type		12	24	22	14	31	11						
color													
connection													
finish designation		X52	X52	X52	+1-K5	X52	+1-K1						
bridges													
terminal number		1	2	3	4	5	16	17					
connection		2	BK	9		3	4	5					
finish designation		X12b X12a	+FG-C24 +FG-M8	X58	X58	X58	X58	X58					
cabelname													
type													
color													

Leistenbezeichnung  
terminal block  
**X5**

Klemmenplan terminal diagram



0	1	2	3	4	5	6	7	8	9	10	11	12	13
page/path		+1/6.0	+1/6.0	+1/6.0	+1/6.0	+1/6.0	+1/6.0						
Leistenbezeichnung terminal block <b>X7</b>	cabelname												
	type												
	color												
	connection	X24: 1	X24: 2	X24: 3	X24: 4	X24: 5	X24: 6						
	finish designation	+1-RZ	+1-RZ	+1-RZ	+1-RZ	+1-RZ	+1-RZ						
	bridges												
terminal number	1	2	3	4	5	6							
connection													
finish designation	X40	X40	X40	X40	X40	X40							
cabelname													
type													
color													
arena module	Duftmodul												
*													
*													
*													
*													
*													

Klemmenplan terminal diagram

0	1	2	3	4	5	6	7	8	9	10	11	12	13
page/path		+1/5.13	+1/7.8	+1/7.1									
Leistenbezeichnung terminal block <b>X9</b>	cabelname	type	color										
	connection	17	20	8									
	finish designation	X52	X52	X52									
	bridges												
	terminal number	L	N	PE									
	connection		Z	12PE									
finish designation	+FG-L100	+FG-E100	X58										
cabelname	type	color											

Klemmenplan terminal diagram

0	1	2	3	4	5	6	7	8	9	10	11	12	13
page/path		+1/8.13	+1/8.13										
cabelname													
type													
color													
connection		33	32										
finish designation		X52	X52										
bridges													
terminal number		1	2										
connection		1	2										
finish designation		X37	X37										
cabelname													
type													
color													

**Leistensbezeichnung**  
 terminal block  
**X10**

Klemmenplan terminal diagram







0	1	2	3	4	5	6	7	8	9	10	11	12	13
page/path		+3/10.1	+3/10.1	+3/10.2	+3/10.2	+3/10.3	+3/10.0	+3/10.4					
cabelname													
type		2	2	2	2	2	7	15					
color													
connection													
finish designation		+3-L1	+3-L2	+3-L3	+3-L4	+3-L5	X60	X60					
bridges													
terminal number		1	2	3	4	5	6	7					
connection		1	2	3	4	5	21	25					
finish designation		X70	X70	X70	X70	X70	X70	X70					
cabelname													
type													
color													
connection													
finish designation													
cabelname													
type													
color													
connection													
finish designation													



0	1	2	3	4	5	6	7	8	9	10	11	12	13
page/path		+F/15.0	+F/15.0	+F/15.0	+F/15.0	+F/15.0							
cabelname													
type		47	69	40	41	1							
color													
connection													
finish designation		X65	X65	X65	X65	+F-PE7							
bridges													
terminal number		1	2	3	4	9							
connection													
finish designation		+F6-X80	+F6-X80	+F6-X80	+F6-X80	+F6-X80							
cabelname													
type													
color													

Leistenbezeichnung  
terminal block  
**X23**

Klemmenplan terminal diagram







0	1	2	3	4	5	6	7	8	9	10	11	12	13
page/path		+L/16.6	+L/16.5										
cabelname		type	color										
Leistenbezeichnung terminal block <b>X37</b>	connection			1	2								
	finish designation			X10	X10								
	bridges												
	terminal number			1	2	1	2	1	2	1	2	1	2
	connection			1	2								
finish designation			+L-E103	+L-E103									
cabelname		type	color										
WX37/PL-E103			ZX	1	2								

Klemmenplan terminal diagram



0	1	2	3	4	5	6	7	8	9	10	11	12	13
page/path		+FG/18.1	+FG/18.1	+FG/18.1	+FG/18.2	+FG/18.2	+FG/18.2						
<b>Leistensbezeichnung</b> terminal block <b>X40</b>	cabelname	type	color	1	2	3	4	5	6				
	connection			X7	X7	X7	X7	X7	X7				
	finish designation												
	bridges												
	terminal number	1	2	3	4	5	6						
	connection												
finish designation	+FG-R8-X69	+FG-R8-X69	+FG-R8-X69	+FG-R8-X69	+FG-R8-X69	+FG-R8-X69							
cabelname	type	color											
arena module	Duftrmodul												

Klemmenplan terminal diagram



		0	1	2	3	4	5	6	7	8	9	10	11	12	13
page/path				+SB/19.11											
				+SB/19.11											
				+SB/19.14											
cabelname type color															
connection				12											
finish designation				X66											
bridges															
terminal number				1											
connection				1	2										
finish designation				+SB-L109											
				+SB-L110											
				+SB-E109											
				+SB-PE5											
cabelname type color															
WX42/+SB-L109				1x											
WX42/+SB-L110				1x											
WX42/+SB-E109				1x											
WX42/+SB-PE5				1x											

Leistensbezeichnung  
terminal block  
**X42**

Klemmenplan terminal diagram

















0		1		2		3		4		5		6		7		8		9		10		11		12		13			
Leistenbezeichnung terminal block <b>X66</b>		page/path		+SB/19.2		+SB/19.3		+SB/19.4		+SB/19.5		+SB/19.6		+SB/19.7		+SB/19.8		+SB/19.9		+SB/19.10		+SB/19.11		+SB/19.12		+SB/19.13			
		4mm <sup>2</sup> GNYE BN GY BU VI																											
cabelname		type		color		connection		finish designation		bridges		terminal number		connection		finish designation		cabelname		type		color							
						1		X33		1		2		1		+SB-E44													
						2		X33				2		2		+SB-E45													
						3		X33				3		3		+SB-E46													
						4		X33				4		4		+SB-E47													
						5		X33				5		5		+SB-E48													
						6		X33				6		6		+SB-E49													
						7		X33				7		7		+SB-E50													
						8		+SB-E45		●		8		8		X33													
						9		+SB-E47		●		9		9		X33													
						10		+SB-E44		●		10		10		X33													
						11		X33		●		11		11		X68													
						12		X33		●		12		12		X67													
						13		+SB-L102		●		13		13		X42													
						14		X33		●		14		14		X42													
						15		+SB-E50		●		15		15		X68													
						16		+SB-Z61		●		16		16		+SB-E102													
						17		X33				17		17		X33													
						18		X33				18		18		+SB-Z61													
						19		X33				19		19		X33													
						20		X33				20		20		+SB-Z61													
						21		X33				21		21		X33													
						22		X33				22		22		X33													
						23		X33				23		23		X33													

Klemmenplan terminal diagram

		0	1	2	3	4	5	6	7	8	9	10	11	12	13
page/path				+SB/19.7											
BK				X											
cabelname type color															
Leistenbezeichnung terminal block <b>X67</b>	connection		11	X66											
	finish designation			+SB-M2.1											
	bridges														
	terminal number		1	2	3	4									
	connection		13												
finish designation			+SB-M2.1	X66											
cabelname type color			X												
BK				X											
GNYE															

Klemmenplan terminal diagram

0		1		2		3		4		5		6		7		8		9		10		11		12		13			
page/path				+SB/19.9																									
BK		X																											
cabelname		type		color																									
Leistenbezeichnung terminal block <b>X68</b>		connection		11																									
		finish designation		X66		+SB-M2.2		+SB-C17		BU																			
		bridges																											
		terminal number		1		2		3		4																			
		connection		14				1																					
finish designation		+SB-M2.2		X66		+SB-M2.2		+SB-PE4																					
cabelname		type		color		X		K		X																			
BK																													
GNYE																													

Klemmenplan terminal diagram

0	1	2	3	4	5	6	7	8	9	10	11	12	13																		
page/path		+L/16.0	+L/16.1	+L/16.2	+L/16.2	+L/16.3	+L/16.4	+L/16.4	+L/16.5	+L/16.5	+L/16.6	+L/16.7	+L/16.7	+L/16.8	+L/16.9	+L/16.9	+L/16.10	+L/16.11	+L/16.11	+L/16.12	+L/16.13	+L/16.14	+L/16.14	+L/16.15	+L/16.15	+L/16.16	+L/16.16				
<b>Leistenbezeichnung</b> terminal block <b>X70</b>		connection	1	2	3	4	5	6	7	8	9	10	11	12	13	14	15	16	17	18											
		finish designation	X18	X18	X18	X18	X18	X26	X26	X26	X26	X26	X26	X26	X26	X26	X26	X26	X26	X26	X26	X26	X26	X26	X26	X26	X26	X26	X26		
		bridges																													
		terminal number	1	2	3	4	5	6	7	8	9	10	11	12	13	14	15	16	17	18	19	20	21	22	23	24	25	26	27	28	
		connection	2	2	2	2	2	2	2	2	2	2	2	2	2	2	2	2	2	2	2	2	2	2	2	2	2	2	2	2	
finish designation		+L-E1	+L-E2	+L-E3	+L-E4	+L-E5	+L-E6	+L-E7	+L-E8	+L-E9	+L-E10	+L-E11	+L-E12	+L-E13	+L-E14	+L-E15	+L-E16	+L-E17	+L-E18	+L-E19	+L-E20	X18	+L-E3	X26	+L-E7	X26	+L-E11	X26	X18	+L-E19	X52
cable name    type    color WX18/X70 WX70/+L-E3    1x WX26/X70    3x WX70/+L-E7    1x WX70/+L-E11    1x WX70/+L-E19    1x																						1	1	1	2	1	3	1			

Klemmenplan terminal diagram



0	1	2	3	4	5	6	7	8	9	10	11	12	13
page/path		+F/15.12	+F/15.12	+F/15.12	+F/15.12								
YE BK		X	X										
cabelname type color		47											
connection		X65	+F-C13	+F-M4	GNYE								
finish designation				+F-M4	+F-M4								
bridges													
terminal number		1	2	3	4								
connection		BU	BN	1	69								
finish designation		+F-M4	+F-M4	+F-PE6a	X65								
cabelname type color		X			X								
WX74/+F-M4		1x											
WX74/+F-PE6a		1x											

Leistenbezeichnung  
terminal block  
**X74**

Klemmenplan terminal diagram

0	1	2	3	4	5	6	7	8	9	10	11	12	13
page/path		+F/15.8	+F/15.9	+F/15.8	+F/15.9								
cabelname		1	BN										
type		1											
color													
connection													
finish designation		X73	+F-C11	+F-M2.4	+F-M2.4	+F-C11							
bridges													
terminal number		1	2	3	4								
connection													
finish designation		+F-M2.4	+F-M2.4	+F-PE2	X73 X78								
cabelname		1											
type		1											
color													
WX75/+F-M2.4		1x											
WX75/+F-M2.4		1x											
WX75/+F-PE2		1x											
BK													

Klemmenplan terminal diagram

0		1		2		3		4		5		6		7		8		9		10		11		12		13	
page/path				+F/15.10																							
WH				X																							
cabelname		type		color																							
<b>Leistensbezeichnung</b> terminal block <u>    X76    </u>		connection		50		BN																					
		finish designation		X65		+F-C35		+F-M3		+F-M3		+F-C35		BU													
		bridges																									
		terminal number		1		2		3		4																	
		connection																									
finish designation		+F-M3		+F-M3		+F-PE5		X75																			
cabelname		type		color		X																					
WX76/+F-M3		1x		BK																							
WX76/+F-PE5		1x		BK																							

Klemmenplan terminal diagram

0	1	2	3	4	5	6	7	8	9	10	11	12	13
page/path		+FG/18.3	+FG/18.4	+FG/18.10	+FG/18.9	+FG/18.10	+FG/18.11	+FG/18.11	+FG/18.12	+FG/18.12	+FG/18.13	+FG/18.4	
<b>Leistensbezeichnung</b> terminal block <span style="font-size: 2em; font-weight: bold;">X77</span>	cabelname	type	color										
	connection	1											
	finish designation	X10b	X10b	X10b					X10b	X10b	+FG-S100	+FG-PE Aroma	
	bridges		● — ●										
	terminal number	1	2	3	4	5	6	7	8	9	10		
	connection	2	1	L	N				bu	bn		3PE 11PE	
finish designation		X41	X41	+FG-M6	+FG-M6			+FG-M7	+FG-M7		X41		
cabelname	type	color											
aroma module Duftmodul													

Klemmenplan terminal diagram

0		1		2		3		4		5		6		7		8		9		10		11		12		13									
		page/path		+1/5.13		+1/7.13		+1/6.13		+1/8.13		+1/8.13		+1/6.13																					
cabelname		type		color																															
Leistenbezeichnung terminal block <b>X10b</b>		connection		26		19		X16: 2		15. 1		15		X25: 2																					
		finish designation		X52		X52		+1-R2		X52		X52		+1-R2																					
		bridges																																	
		terminal number		1		2		3		6		7		8																					
		connection		1		2		3		3		8		9																					
		finish designation		X77		X77		X77		+FG-S100		X77		X77																					
cabelname		type		color																															
		arena module Luftmodul																																	
		*																																	
		*																																	
		*																																	
		*																																	
		*																																	

Klemmenplan terminal diagram

0	1	2	3	4	5	6	7	8	9	10	11	12	13
page/path		+1/8.13	+1/8.13										
cabelname type color		33	32										
<b>Leistensbezeichnung</b> terminal block <b>X10c</b>	connection	X52	X52										
	finish designation												
	bridges												
	terminal number	1	2										
	connection	43	44										
finish designation		X65	X65										
cabelname type color													

Klemmenplan terminal diagram

0		1		2		3		4		5		6		7		8		9		10		11		12		13					
page/path		+1/8.13		+1/8.13																											
cabelname		type		color																											
Leistenbezeichnung terminal block <b>X10d</b>		connection		33		32																									
		finish designation		X52		X52																									
		bridges																													
		terminal number		1		2																									
		connection		1		2																									
finish designation		X38		X38																											
cabelname		type		color																											

Klemmenplan terminal diagram



0	1	2	3	4	5	6	7	8	9	10	11	12	13	
page/path		+FG/17.7	+FG/17.9	+FG/17.8	+FG/17.8	+FG/17.8								
<b>Leistensbezeichnung</b> <small>terminal block</small> <u><b>X12b</b></u>	cabelname													
	type													
	color													
	connection		1	3	4									
	finish designation	+FG-L63	X5 X58	X79	X79	X58 +FG-PE	12PE Schürze							
	bridges													
terminal number	1	2	3	4	5	9PE								
connection														
finish designation	+FG-Z63	X79	X58	X12a	X79									
cabelname														
type														
color														

Klemmenplan terminal diagram







0	1	2	3	4	5	6	7	8	9	10	11	12	13		
page/path		+F/15.2	+F/15.2												
<b>Leistensbezeichnung</b> <small>terminal block</small> <span style="font-size: 2em; font-weight: bold;">X65d</span>		cabelname	type	color											
		connection	43	44											
		finish designation	X65	X65											
		bridges													
		terminal number	1	2											
		connection													
finish designation		+F-E115	+F-E110	+F-E111	+F-E110										
cabelname		type	color												

Klemmenplan terminal diagram

71	drawed 23. Jan. 2007	draw. by. check.at	check.at	iBed sWing USA	7019/304	X65d Hilfsklemme Fluter	A7000/495	=	Bl. 72
	modific. 04. Nov. 2005	ARK0	06. Feb. 2007	Ers. f.	Ers. d.	Dreieck	270371	+Klemmen	74 Bl.

0	1	2	3	4	5	6	7	8	9	10	11	12	13	
page/path		+FG/17.6	+FG/17.5	+FG/17.6	+FG/17.6									
<b>Leistensbezeichnung</b> terminal block <span style="font-size: 2em; font-weight: bold;">X78</span>		cabelname	type	color										
		connection												
		finish designation	X12a	+FG-Z6Z	+FG-M11a	X12a								
		bridges												
		terminal number	2	3	4	5								
		connection	L	3	4	1								
		finish designation	+FG-M11a	X12a	X12a	+FG-PE4								
		cabelname	type	color										

Klemmenplan terminal diagram

0	1	2	3	4	5	6	7	8	9	10	11	12	13	
page/path		+FG/17.9												
		+FG/17.8												
		+FG/17.8												
		+FG/17.8												
cabelname														
type		2												
color														
connection														
finish designation		X12b	+FG-Z63	+FG-M11b	X12b									
bridges														
terminal number		2	3	4	5									
connection		L												
finish designation		+FG-M11b	X12b	X12b	+FG-PEZ									
cabelname														
type														
color														

Leistenbezeichnung  
terminal block  
**X79**

Klemmenplan terminal diagram



