

Indoor Tanning Equipment

Care and Use Instructions

Montego Bay[®] Celebrity Wolff 24 & 28

Eternal Sun[™]

Montego Bay

1040 Wilt Ave.
Ridgefield, NJ 07657

1-800-FAST TAN

UNIT SPECIFICATIONS

MI-C24

LENGTH
82"

WIDTH
36 1/4"

HEIGHT (Closed)
30"

HEIGHT (Open)
47"

NUMBER OF LAMPS
24

VOLTAGE
220 VOLTS A.C.

AMPERAGE
20 AMPS

SHIPPING WEIGHT
440 LBS.

MI-C28

LENGTH
87 3/4"

WIDTH
36 1/4"

HEIGHT (Closed)
29"

HEIGHT (Open)
45 3/4"

NUMBER OF LAMPS
28

VOLTAGE
220 VOLTS A.C.

AMPERAGE
30 AMPS

SHIPPING WEIGHT
475 LBS.

DANGER – ULTRAVIOLET RADIATION Follow Instructions. Avoid overexposure. As with natural sunlight, overexposure can cause eye and skin injury and allergic reactions. Repeated exposure may cause premature aging of the skin and skin cancer. **WEAR PROTECTIVE EYEWEAR: FAILURE TO DO SO MAY RESULT IN SEVERE BURNS OR LONG-TERM INJURY TO THE EYES.**

Certain medication or cosmetics may increase your sensitivity to the ultraviolet radiation. Consult physician before using sunlamp if you are using medications or have a history of skin problems or believe yourself especially sensitive to sunlight. If you do not tan in the sun, you are unlikely to tan from the use of this product.

This unit utilizes UVA lamps. Replace with **ETERNAL SUN F71 100W** lamps, or FDA approved equivalent.

To obtain recommended exposure at a minimum distance of 1/2" (13 mm) measured with a standard ruler, lie on acrylic surface of lounge and lower canopy. Canopy will stop at 12 inches (305 mm) from lounge acrylic surface. The use of any other position may result in overexposure.

**RECOMMENDED
EXPOSURE
SCHEDULE**

SKIN TYPE	WEEK 1 1st-3rd Session	WEEK 2 4th-6th Session	WEEK 3 7th-10th Session	WEEK 4 11th-15th Session	WEEKLY Subsequent Sessions
II - FAIR	3 MIN.	6 MIN.	12 MIN.	15 MIN.	20 MIN.
III - AVERAGE	4 MIN.	8 MIN.	12 MIN.	15 MIN.	20 MIN.
IV - BROWN	5 MIN.	10 MIN.	15 MIN.	20 MIN.	20 MIN.
V - DARK BROWN	6 MIN.	12 MIN.	15 MIN.	20 MIN.	20 MIN.

Tanning can begin on a regular basis (allowing 48 hours between sessions). An appearance of tanning normally occurs after a few exposures and maximizes after four (4) weeks of exposure following the recommended exposure schedule for your skin type.

USE PROTECTIVE EYEWEAR WHENEVER THE EQUIPMENT IS ENERGIZED. READ THE INSTRUCTION BOOKLET BEFORE USING THIS PRODUCT.

Instructions accompanying this product should always be followed to avoid or minimize potential injury.

This product is in conformity with performance standards for sunlamp products under 21 CFR PART 1040.20.

WARNING:

If you have been diagnosed by a physician as being allergic to the sun or are currently taking photosensitive medications, consult your physician before using the sunlamp.

Certain drugs – particularly those designed to enhance photosensitivity – may cause individuals under their influence to experience adverse effects, and those people should avoid exposure to UV sources of all kinds. Doctors will advise persons taking these drugs of possible adverse effects.

It is recommended that only one person at a time use the tanning system. Use protective eyewear while taking a tanning session. Protective eyewear is provided with each sunlamp sold.

Occasionally, persons using the tanning system will experience a slight reddening of the skin – usually in small patches – after the second or third session. This redness is often accompanied by an itching sensation. This is nothing more than a heat "rash" caused by heat from the lamps within the system. It is generally very limited and caused by constant contact of the skin with the acrylic surface. It will go away within approximately 24 hours and should not reappear. This rash can be lessened or prevented by turning over occasionally during sessions in the sunlamp, and by applying moisturizing lotion to the affected area after the tanning session is completed.

CAUTION

WHILE THERE IS NO IMMEDIATE CLINICAL EVIDENCE REGARDING UVA EXPOSURE AND ITS EFFECTS UPON EXPECTANT MOTHERS, IT IS STRONGLY ADVISED THAT EXPECTANT MOTHERS BE DISCOURAGED FROM USING THE SUNLAMP.

EXPOSURE TIMES AND FREQUENCIES

Melanin is the brownish pigment produced by special cells in the base layer of the skin determines the individuals ability to tan. As the skin is exposed to ultraviolet rays, the melanin is activated and combines with protein cells that rise to the skin's surface, thus producing a tan. The amount of melanin in your body determines how quickly and darkly you tan.

NOTE

THE TAN PRODUCED BY THE SUNLAMP IS A DEEP, RICH "COSMETIC" TAN. HOWEVER, REGARDLESS OF HOW MUCH AN INDIVIDUAL MAY TAN WITH THIS UNIT, IT WILL NOT PROVIDE ADEQUATE PROTECTION AGAINST OVEREXPOSURE TO NATURAL SUNLIGHT OR UVB TANNING SYSTEMS.

- | | |
|----------------|-----------------------------------------------------------------------------------------------------|
| SKIN TYPE II- | THIS IS THE INDIVIDUAL THAT USUALLY BURNS EASILY AND SEVERELY, TANS MINIMALLY OR LIGHTLY AND PEELS. |
| SKIN TYPE III- | OFTEN REFERRED TO AS "AVERAGE" COMPLEXION, BURNS MODERATELY AND TANS ABOUT AVERAGE. |
| SKIN TYPE IV- | THIS INDIVIDUAL BURNS MINIMALLY, TANS EASILY AND ABOVE AVERAGE WITH EACH EXPOSURE. |
| SKIN TYPE V- | THIS INDIVIDUAL RARELY BURNS, TANS EASILY. |

CARE AND CLEANING OF YOUR SUNLAMP

CAUTION: THE SUNLAMP SHOULD BE DISCONNECTED FROM THE POWER SUPPLY BEFORE CLEANING OR DISINFECTING THE INSIDE OF THE ACRYLIC. AVOID WATER OR SOLUTION ENTERING THE LAMP COMPARTMENT.

After each session is completed, spray the acrylic surface with a specially formulated UVT (ultraviolet transmitting) acrylic cleaner. Wipe the surface of the acrylic with a clean cloth. The acrylic should never be wiped with a dry cloth because this will generate a slight static charge which will attract dust.

For maximum efficiency of your sunlamp, periodic cleaning of lamps, reflectors, acrylics, fans, and the inside of the unit is required.

CAUTION: FAILURE TO CLEAN BEDS, FANS, AND THE INSIDE OF YOUR SUNLAMP COULD VOID THE WARRANTY.

CAUTION: DO NOT USE EXCESSIVE AMOUNTS OF WATER, ANY ABRASIVE CLEANERS, OR ANY SPRAY CLEANER THAT IS NOT SPECIFICALLY DESIGNED FOR USE WITH ACRYLIC SURFACES. DO NOT USE ALCOHOL.

Note: Periodic polishing of the exterior painted surface may be necessary to maintain the finish. An automotive polish, **not wax**, should be used. Do not clean with anything that may damage the paint.

To obtain repairs and recommended replacement components which are compatible with this unit, including UVT acrylic cleaner, protective eyewear, lamps, acrylic, timers, reflectors, and other parts, which will, if installed and used as instructed, result in continued compliance with 21 CFR 1040.20, please contact the Manufacturer:

MONTEGO BAY

1040 Witt Ave.

Ridgefield, NJ 07657

1-800-FAST TAN

RELAMPING INSTRUCTIONS

CAUTION: REPLACE ONLY WITH Eternal Sun SAI-763-100W LAMPS, OR FDA APPROVED EQUIVALENT.

1. Disconnect unit from power source.
2. Remove acrylic from unit by removing the acrylic retaining strip located along one long edge of the acrylic and sliding the acrylic out of the unit.
3. To remove lamp, twist gently until pins in end align with slots in lamp holders and lift out carefully.
4. To install lamp, align pins in each end with slots in lampholders and push in firmly until seated. Twist lamp gently (approx. 90°) until a faint click is heard from the lampholders.
5. Clean and replace acrylic shield. (Refer: **CARE AND CLEANING**). Reconnect unit to power.
6. See **CARE AND CLEANING** section for information on ordering lamps.

RECOMMENDED EXPOSURE SCHEDULE

	WEEK 1	WEEK 2	WEEK 3	WEEK 4	WEEKLY
SKIN TYPE	1st-3rd Session	4th-6th Session	7th-10th Session	11th-15th Session	Subsequent Sessions
II - FAIR	3 MIN.	6 MIN.	12 MIN.	15 MIN.	20 MIN.
III - AVERAGE	4 MIN.	8 MIN.	12 MIN.	15 MIN.	20 MIN.
IV - BROWN	5 MIN.	10 MIN.	15 MIN.	20 MIN.	20 MIN.
V - DARK BROWN	6 MIN.	12 MIN.	15 MIN.	20 MIN.	20 MIN.

No two individual skin tones are the same. A tan to one person may be different to another, and session length may vary. It is recommended that, following a tanning session, a skin moisturizer be applied. This promotes a smoother more even looking tan. Equally important – many facial make-ups have oil bases and should be removed prior to each tanning session.

NOTE

SINCE THE BACK AND STOMACH AREAS OF THE BODY WILL RECEIVE THE MAJORITY OF THE TANNING RAYS, IT IS RECOMMENDED THAT INDIVIDUALS SPEND ONE HALF OF EACH SESSION LYING ON EACH SIDE OF THE BODY TO ACHIEVE A FULL-BODIED TAN.

SINCE YOUR SUNLAMP WILL CAST OFF SOME HEAT, IT IS RECOMMENDED THAT A SMALL FAN BE USED TO IMPROVE AIR CIRCULATION DURING SESSIONS. LIKEWISE, ADEQUATE VENTILATION OF THE ROOM OR BOOTH HOUSING THE SUNLAMP IS REQUIRED FOR COMFORTABLE OPERATION.

WARNING

COMMERCIALY AVAILABLE CREAMS, LOTIONS AND OILS CONTAIN SUNSCREENS WHICH FORM A PHYSICAL BARRIER ON THE SKIN THAT PREVENTS THE UVA RAYS FROM PENETRATING AND INDUCING A TAN. IT IS RECOMMENDED THAT YOU USE ONLY CREAMS, OILS OR LOTIONS THAT DO NOT CONTAIN POLYETHYLENE/GLYCOL LAURATE OR POLYETHYLENE/GLYCOL MONO LAURATE AND ARE DESIGNED FOR USE WITH INDOOR TANNING EQUIPMENT. FAILURE TO COMPLY WITH RECOMMENDATIONS AND WARNINGS STATED ABOVE MAY VOID THE MANUFACTURER'S WARRANTY.

OPERATING YOUR SUNLAMP

Celebrity comes equipped with a remote timer. The timer is used to preselect the actual tanning time and switch on the sunlamp. The timer will automatically switch the sunlamp off when the preselected time expires.

To operate timer, rotate knob clockwise to the desired tanning time, timer can be set to a maximum of twenty (20) minutes. Refer to the exposure times and frequencies for correct timer setting.

After the timer is set, the unit is ready for immediate operation. Lie on acrylic surface of lounge and lower canopy. The canopy will stop with its acrylic surface 12 inches (305 mm) from the acrylic surface of the lounge. There is no additional time required for lamp start-up.

Assembly Instructions

1. Open carton labeled lounge and remove packing, remove and inspect unit and all associated parts and hardware per the hardware drawings in the back of this manual. Turn lounge half of unit upside down. (Acrylic facing down).
2. Leg Installation
 - a. Place a leg side piece face down on a flat surface and attach an end piece to each end using (4) 6 x 3/8" pan head machine screws and (4) speed clips for #6 screw.
 - b. Flip assembly over and attach other leg side piece using (4) more 6 x 3/8" pan head machine screws and speed clips.
 - c. Repeat steps a and b for second leg.
 - d. Position legs over mounting holes in bottom of lounge.
 - e. Attach legs using (4) 1/4 - 20 x 3/4" bolts and flat washers each. Tighten all bolts thoroughly.
 - f. Turn lounge right side up and rest on legs.
3. Hinge Installation
 - a. Install brake shoe onto hinge using (2) 1/4 - 20 x 3/4" bolts & (2) 1/4 x 20 nuts making sure the adjustment side of the brake shoe matches up with the hole in the hinge for adjustments.
 - b. The hinge will be mounted with 3/8 - 16 x 1 3/8" allen head bolts (5/16 allen wrench). Do not tighten up at this time.
 - c. Attach the pneumatic cylinders to the hinge bracket using the 5/16 - 18 x 1" hex head bolts with the 5/16 x 18 elastic stop nut. Remove wire locking clips from ball sockets at top of pneumatic cylinders. (Also need to remove the ball stud from the pneumatic cylinder and attach to the canopy in the space provided).
 - d. Now hinges are on (but loose). Pneumatic cylinders are attached to hinge and ball studs are on canopy. Lift canopy, put brake shoes on brake boss & attach using 3/8 - 16 x 2 1/4 hex head bolt with steel washer & the leather washer. NOTE: The leather washer goes on the inside of the metal washer. Tighten all bolts at this time. With an assistant, raise canopy at full open position, snap ball sockets on the pneumatic cylinders onto ball studs (which were added on canopy). **REPLACE WIRE LOCKING CLIPS.**
 - e. Adjust brakes (using 5/32 allen wrench supplied in hardware kit) to provide desired ease of operation

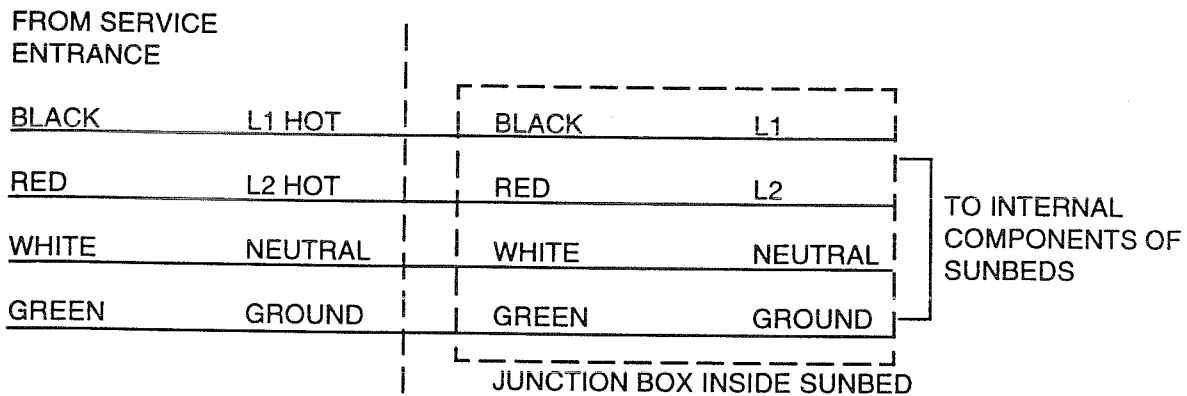
Assembly Instructions (CON'T)

4. Electrical Hook-up

- a. This unit may be operated only at 220 VAC 60 Hz single phase with neutral. A qualified electrician must be used to properly connect this appliance to your electrical supply.
- b. Each sunbed is internally wired to accept 2 hot "Legs", one neutral and one ground. The neutral is required since the 220 VAC supplied is split between the sunbed and the sunceiling, resulting in 110 VAC to the internal components of the units, with the exception of the ballasts, which each receive 220 VAC.

SERVICE ENTRANCE POWER	POWER REQ'D AT EACH BED	PROTECTION FOR BRANCH CIRCUIT	# WIRES FROM SERVICE ENTRANCE TO SUNBED	WIRE SIZE AND PHASE USED
220 VAC 60 Hz SINGLE PHASE	220 VAC	20 AMP MI-24 30 AMP MI-28	2 HOT (BLK OR RED) 1 NEUTRAL (WHITE) 1 GROUND (GREEN)	NO. 12 AWG. (SINGLE PHASE) NO.10 AWG.

- c. Your Montego Bay Celebrity Wolff System must run on exactly 215 to 225 volts. You should not run your bed on voltage outside of this range because you will damage the bed and void your warranty. Please give this information to your electrician and have him take a **digital** voltage reading on your outlet to determine your **exact** line voltage. If your voltage is above or below 215-225 volts, you need to purchase a "buck booster" transformer. These are available from PC Marketing. The transformer will regulate your voltage to the correct level. This is very important to ensure that your bed will operate properly.



5. Electrical Hook-up con't

- a. Connect jumper cord from canopy to lounge by aligning male plug on jumper with female receptacle on rear of lounge and tightening locking nut.
- b. Connect cord from remote timer to unit by aligning male plug on timer cord with female receptacle on rear of lounge and tightening locking nut.

HINGE ASSEMBLY

1. Take left hinge bracket & 3/8" - 16 x 1 3/8" allen head bolt, attach to left side of lounge w/5/16 allen wrench (2) places.
2. Repeat for right side with right hinge bracket.
3. Take brake shoe & (2) 1/4 - 20 x 3/4" bolts with 1/4" - 20 nuts, attach to hinge brackets. Make sure the # 10 - 24 x 1 1/4" socket head cap screw is facing the adjustment hole on each hinge bracket.
4. Take the canopy and put the brake boss into each brake shoe.
5. Attach the 3/8" - 16 x 2 1/4" hex head bolts with the leather washers (2) and the 3/8" steel washers (1) through the hole in the brake boss. Put the leather washers on the bolt first followed by the steel 3/8" washer (2) places.
6. Take the clip off the top of the pneumatic cylinder. Place the fork end of the cylinder around the tab of each hinge bracket, Take the 5/16" - 18 x 1" bolts and 5/16" x 20 stop nut put the bolt through the fork and tab and tighten the nut. Snap the top of the cylinder around the clip on each cylinder.

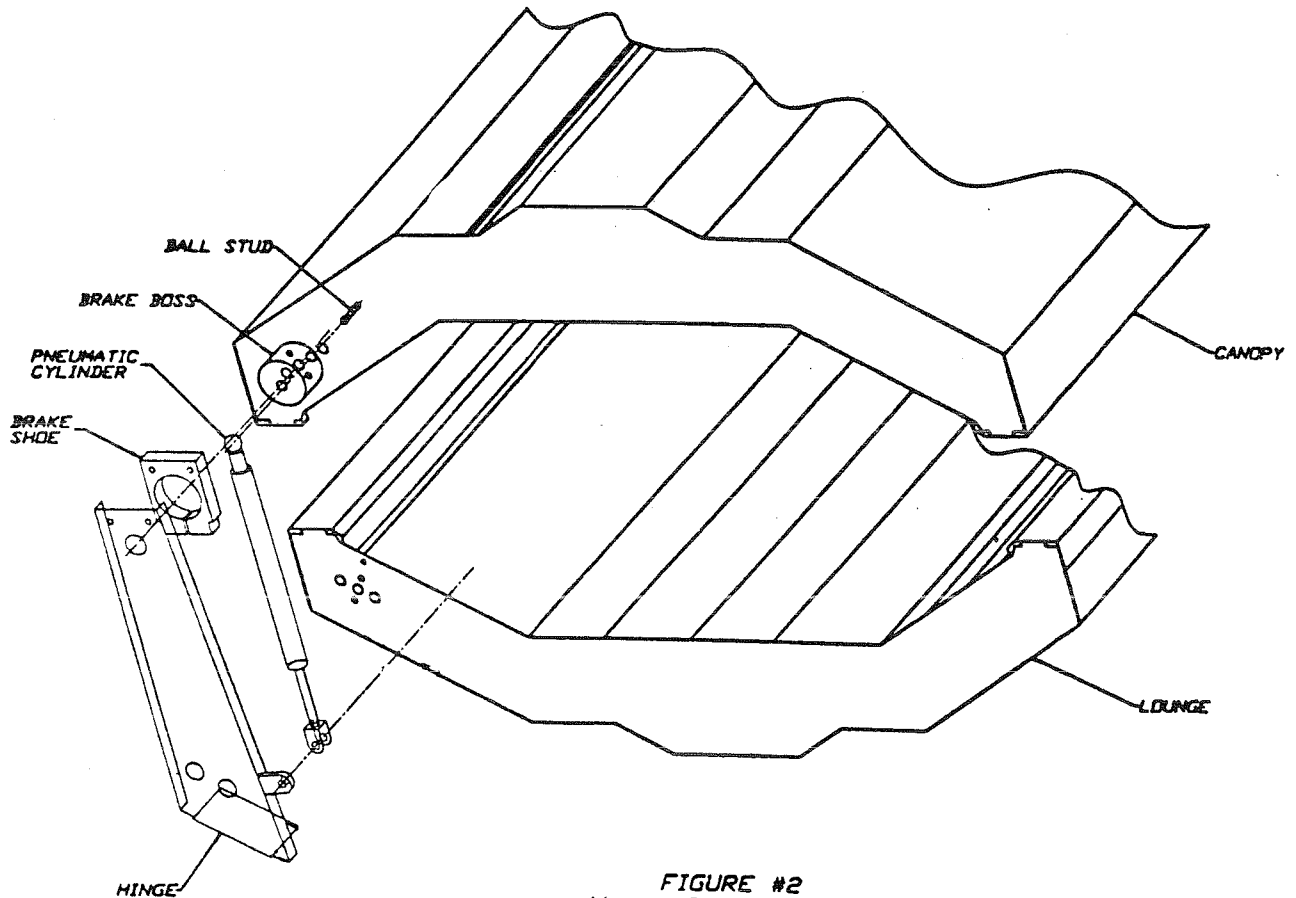


FIGURE #2
Hinge Installation

GENERAL TROUBLE SHOOTING GUIDE

The following trouble shooting information is divided into two sections. Section A contains items which the owner may check without the aid of a service person. Section B contains items which must be performed by **qualified service personnel** only. If you have any questions other than the ones listed in your troubleshooting guide, contact your distributor.

(NOTE: All units are not the same, therefore some of the causes may not apply to your unit.)

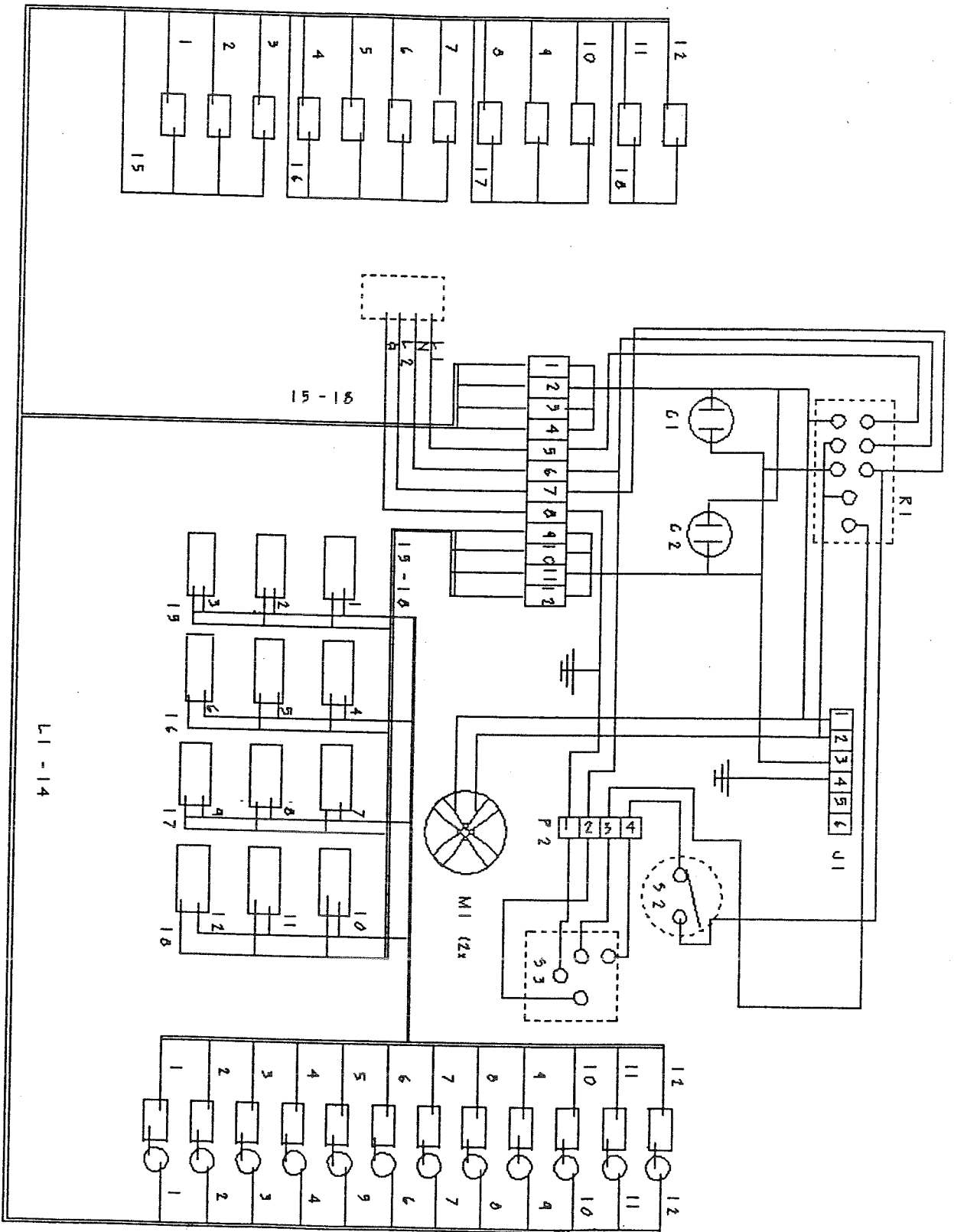
GENERAL TROUBLESHOOTING (SECTION A)

CAUSE	SOLUTION:
1. Sunlamp does not operate.	
a. No power to the unit.	Check circuit breaker servicing unit.
b. Timer not connected to lounge.	Connect cord from timer to timer receptacle on lounge.
c. Timer not turned on.	Rotate time knob clockwise to activate unit.
d. Canopy not connected to lounge	Connect jumper cord from canopy to lounge.
2. Lamps will not light.	
a. Lamp(s) not properly seated.	Remove lamp(s), inspect contacts on lamp(s), and lampholder(s), reinstall securely into lampholder(s).
b. Faulty lamp(s).	Replace lamp(s).
3. Canopy does not hold its position when set.	
a. Loose brakes.	Tighten upper bolt on hinge bracket going into canopy, as well as brake adjustment (using 5/32 allen wrench).
b. Faulty cylinders.	Replace cylinders.
4. Unit is running hot.	
a. Tanning room too small or improperly ventilated.	Provide sufficient space and ventilation for system.
b. Vent fans dirty.	Clean fan guards to insure air flow is not blocked.
5. Sunlamp is not tanning.	
a. Acrylic is dirty.	Clean both sides of acrylic with U.V.T. (Ultraviolet Transmitting) Acrylic Cleaner.
b. Lamps and Reflectors are dirty.	Remove lamps, wipe with damp cloth, dry. Wipe reflectors using a soft cloth and U.V.T. Cleaner.
c. Lamps are nearing the end of their effective life.	Replace lamps with new lamps.

REPLACEMENT PARTS LIST

MI-C24/MI-C28

DESCRIPTION	PART NUMBER
Acrylic Canopy (C24)	ACRY-MA-516
Acrylic Lounge (C24)	ACRY-MA-515
Acrylic Canopy (C28)	ACRY-MA-518
Acrylic Lounge (C28)	ACRY-MA-517
Allen Wrench (Hinge)	PART/MA-123
Allen Wrench (Brake Shoe)	PART/MA-124
Ballast	PART/S1-09
Brake Boss	PART/MA-158
Brake Shoe	PART/MA-160
Lamp Holder – With Starter	PART/MA-500
Lamp Holder – Without Starter	PART/MA-501
Starter - S-12	PART/PA-01
Contactora - 25 Amps	PART/MA-162
Cushion	NP-12
Hardware Kit – Hinges	PART/MA-526
Hardware Kit – Legs	PART/MA-527
Hinge Bracket (Right)	PART/MA-529
Hinge Bracket (Left)	PART/MA-528
Hour Meter	PART/MA-214
Jumper Cord (C24/C28)	PART/MA-530
Lamps - (Eternal Sun) 71" 100W	WL-51
On/Off Stop Switch	PART/MA-174
Piston 550N (C24)	PART/MA-512
Piston 600N (C28)	PART/MA-262
Protective Eyewear	SP-26
Remote Timer Assembly	PART/MA-284
Front Leg Skirt (C28 Only)	PART/Mi30-271
20 Minute Timer - Siebe	PART/MA-298
Timer Knob	PART/MA-266
Vent Fan	PART/MA-312
Vent Fan Wire (36" Harness)	PART/MA-316
Capacitor	PART/MA-531

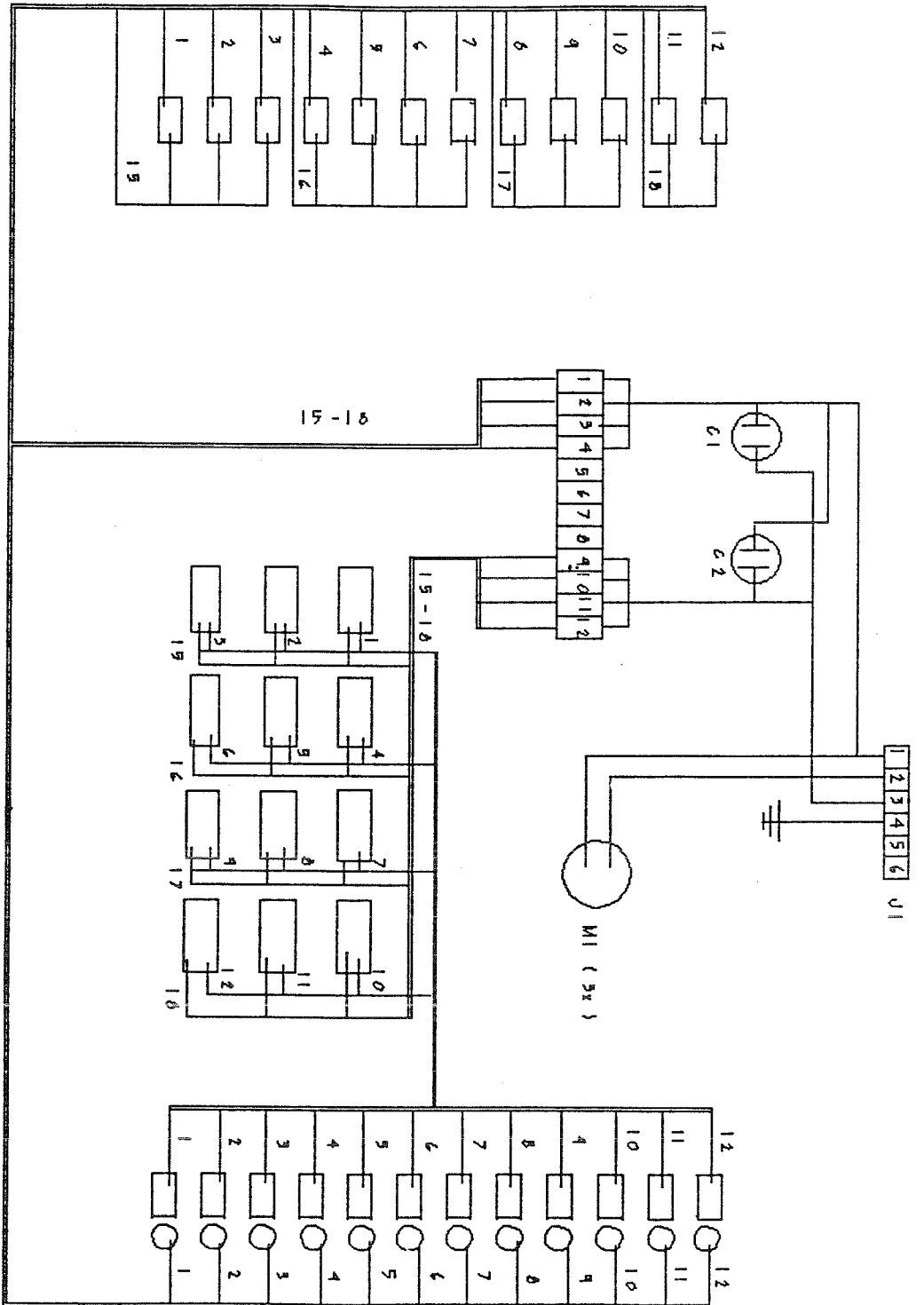


5 2 ON/OFF SWITCH
 5 3 Remote Timer

C1 & C2 Capacitors 50 u F
 M1 120 v Fan
 R1 120 Volt Contractor

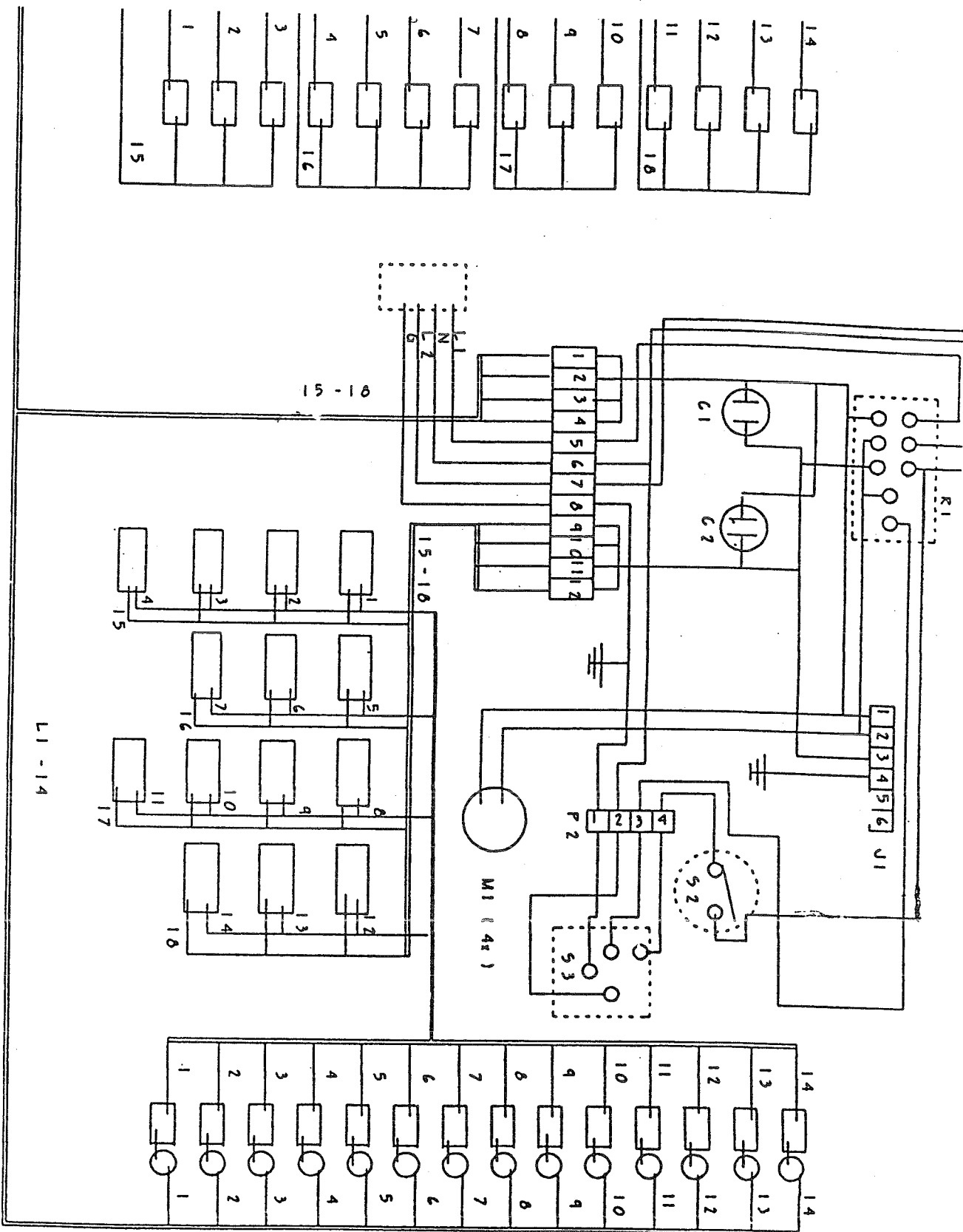
U1 Connector to Canopy
 U2 Connector to Remote Timer
 L1 - L14 Ballast 220v 100v

24 Bulb Lounge



- C1
- C2 Capacitors 50 μ F
- M1 120v Fans
- J1 Connector to Bench

24 Bulb Canopy

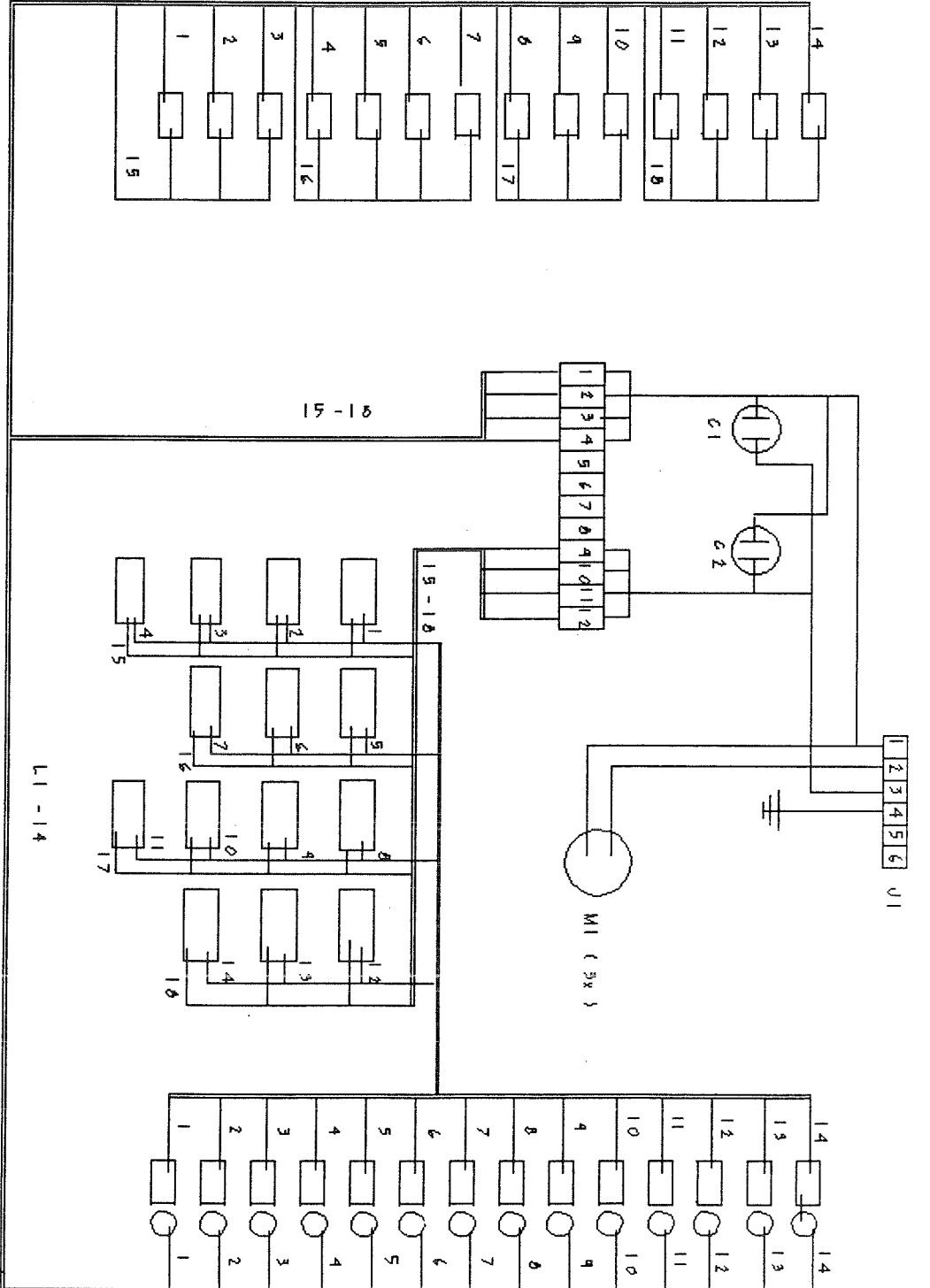


S 2 ON / OFF
 S 3 Remote Timer

C 1 & C 2 Capacitors 50 u F
 M 1 120 v Fans
 R 1 120 Volt Contractor

J 1 Connector to Canopy
 J 2 Connector to Remote Timer
 L 1 - L 14 Ballast 220v 100s

28 Bulb Bench



28 Bulb Canopy

- C1
- C2 Capacitors 50 μ F
- M1 120v Fans
- J1 Connector to Bench

PC MARKETING
1040 WILT AVENUE
RIDGEFIELD, NJ 07657

1-800-FAST TAN

