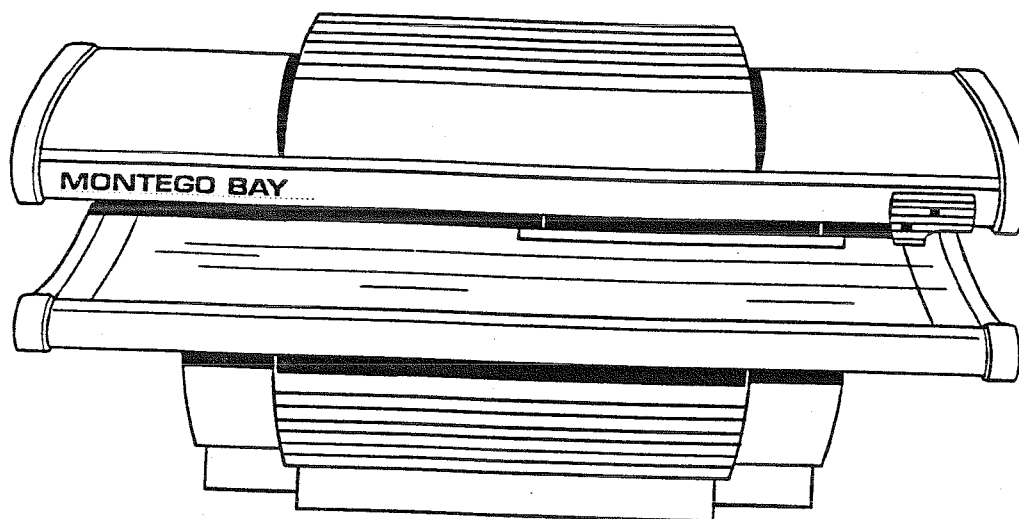


INDOOR TANNING EQUIPMENT CARE, USE AND INSTALLATION INSTRUCTIONS



Model:
MONTEGO BAY XF TYPE 7019/37 RGB DUO

PC MARKETING
1040 WILT AVENUE
RIDGEFIELD, NJ 07657

1-800-FAST TAN



Foreword

Your unit is built according to state-of-the-art technology and is safe to operate. However, the unit can be dangerous if used by persons who have not been trained or shown how to use the unit or if it is not used for the intended purpose. It is therefore essential that these operating instructions and in particular the safety instructions are read and understood by everyone involved with setting up, commissioning, operating, servicing and repairing the unit. Allow you and your staff to be instructed by a specialist before using the unit for the first time. In the unlikely event of a technical fault affecting the tanning unit, please contact our Customer Services or your dealer.

CONTENTS PAGE

- 1.1 SAFETY INSTRUCTIONS 4-6
- 1.1 Before Initial Operation 4
- 1.2 Using the Unit for the First Time 4
- 1.3 Safety / Warnings 4-6
- 1.4 Proper Operation 6
- 1.5 Product Liability 6
- 1.6 Emergency Procedure 6
- 1.7 Explanation of Warning Symbols 6
- 1.8 Location of Person Using the Unit s 6

- 2 OPERATION/INFORMATION FOR THE PERSON USING THE UNIT 7
- 2.1 Starting Tanning 7
- 2.2 On the Bed 7
- 2.2.1 Operating while on the Bed 7-8
- 2.3 Cleaning the Plexiglas Panel:
Use UWE cleaner only! 8

INFORMATION FOR THE OPERATOR

- 3 INITIAL OPERATION 8
- 3.1 Important information! Please read! 8
- 3.2 Before Initial Operation 8
- 3.3 Using the Unit for the First Time 8

- 4 CLEANING - IMPORTANT INFORMATION FOR THE OPERATOR 9

- 5 IMPORTANT INFORMATION FOR THE OPERATOR 10
- 5.1.1 Spiral Spring 10
- 5.1. Opening Force of the Canopy 10
- 5.1.2 Changing the Spiral Spring 10
- 5.2 Body Cooling Air 10

CONTENTS PAGE

6	SERVICING AND MAINTENANCE	11
6.1	Exchanging the Acrylic Panel	11
6.1.1	Acrylic Panel of Bed	11
6.1.2	Acrylic Panel of Canopy	11
6.2	Servicing the Face Tanner	11
6.2.1	Changing the High-Pressure Lamp	11-12
6.3	Exchanging the Lamps	13
6.3.1	Exchanging the Long Sunlamp	13
6.3.2	Changing the U-P-P Lamp	13
7	TIPS FOR RECTIFYING MINOR FAULTS	14
8	DISPOSAL	14

INFORMATION FOR ENGINEERS AND uwe SPECIALISTS

9	SETTING UP THE UNIT	15-18
9.1	State on Delivery and Place of Installation	15
9.2	Assembly and Installation	15
9.2.1	Assembling the Stand	15
9.2.2	Assembling the Bed	15
9.2.3	Assembling the Canopy	16
9.2.4	Assembling the Handle	16
9.3	Electrical Connection	17
9.3.1	MONTEGO BAY XF	17
9.3.2	Setting on the Unit (Adjusting the Control Mode)	17
9.4	Coin Meter or Central Desk Operation	17
9.4.1	Setting on the Coin Meter	18
10	INITIAL OPERATION	18-19
10.1	Technical Specifications and Dimensions	18-19
11	CUSTOMER SERVICE ADDRESS	19

1 - SAFETY INSTRUCTIONS:

1.1 Before installation and placing in operation, the Safety Instructions and Operating Instructions must be carefully read and observed.

1.2 Before the unit is placed in operation, the local Safety Regulations and the Safety Instructions must be complied with.

1.3 SAFETY / WARNING

DANGER - ULTRAVIOLET RADIATION

Follow instructions. Avoid overexposure. As with natural sunlight, overexposure can cause eye and skin injury and allergic reactions. Repeated exposure may cause premature aging of the skin and skin cancer. Consult physician before using sunlamp if you are using medication or have a history of skin problems or believe yourself especially sensitive to sunlight. If you do not tan in the sun, you are likely to tan from the use of this product. **WEAR PROTECTIVE EYEWEAR: FAILURE TO MAY RESULT IN SEVERE BURNS OR LONG - TERM INJURY TO THE EYES.**

Therefore, you must observe the following Safety Instructions:

The ultraviolet radiation is very intense. **DO NOT** look at the tanning lamps. While tanning, close your eyes, and always use the protective eyewear that is supplied.

Before tanning, always remove jewelry.

DO NOT tan more frequent than once every two days.

For recommendations about exposure times and recommended frequencies, please see below **RECOMMENDED EXPOSURE SCHEDULE**, which is enclosed with every unit.

RECOMMENDED	Skin Type	WEEK 1	WEEK 2	WEEK 3	WEEK	WEEKLY
		1 st -3 rd Session	4 th -6 th Session	7 th -10 th Session	11 th -15 th Session	Subsequent Session
EXPOSURE	II - Fair	4 min.	8 min.	12 min.	20 min.	20 min.
	III - Average	4 min.	8 min.	14 min.	20 min.	20 min.
	IV - Brown	5 min.	10 min.	16 min.	20 min.	20 min.
SCHEDULE	V - Dark Brown	5 min.	10 min.	18 min.	20 min.	20 min.

Tanning can begin on a regular basis (allowing 48 hours between sessions). An appearance of tanning normally occurs after a few exposures and maximizes after four (4) weeks of exposure following the recommended exposure schedule of two (2) weekly 10 minute sessions is recommended from the fifth week onward.

USE PROTECTIVE EYEWEAR WHENEVER THE EQUIPMENT IS ENERGIZED.

READ THE INSTRUCTION BOOKLET BEFORE USING THIS PRODUCT.

WARNING

If you have been diagnosed by a physician as being allergic to the sun or are currently taking photosensitive medications, consult your physician before using this product.

Children, persons with fair skin, elderly persons and persons who have a history of skin problems or believe yourself especially sensitive to sunlight, should avoid using this product. If you do not tan in the sun, you are likely to tan from this product.

Certain drugs - particularly those designed to enhance photosensitivity - maybe cause individuals under their influence to experience adverse effects and those people ought to avoid exposure to UV sources of all kinds. Doctors will advise persons taking these drugs of possible adverse effects.

It is recommended that only one person at a time use the tanning system. Use protective eyewear while tanning. One pair of protective eyewear is provided with each unit sold.

Occasionally, persons, using the tanning system will experience a slight reddening of the skin - usually in small patches - after the second or third session. This redness is often accompanied by an itching sensation. This is nothing more than a heat "rash" caused by heat from the lamps within the system. It is generally very limited. It will go away within approximately 24 hours and should not reappear. This rash can be lessened or prevented by applying moisturising lotion to the affected area after the tanning session is complete.

CAUTION:

WHILE THERE IS NO IMMEDIATE CLINICAL EVIDENCE REGARDING UV EXPOSURE AND ITS EFFECTS UPON EXPECTANT MOTHERS, IT IS STRONGLY ADVISED THAT EXPECTANT MOTHERS BE DISCOURAGED FROM USING THIS PRODUCT.

EXPOSURE TIMES AND FREQUENCIES

Melanin, the brownish pigment produced by special cells in the base layers of the skin determines the individual ability to tan. As the skin is exposed to ultraviolet rays, the melanin is activated and combines with protein cells that rise to the skin's surface, thus producing a tan. The amount of melanin in your bodies determining how quickly and darkly you can tan.

NOTE

THE TAN PRODUCED BY THIS UNIT IS A DEEP, RICH "COSMETIC" TAN, HOWEVER, REGARDLESS OF HOW MUCH AN INDIVIDUAL MAY TAN WITH THIS UNIT, IT WILL NOT PROVIDE ADEQUATE PROTECTION AGAINST OVEREXPOSURE TO NATURAL SUNLIGHT OR UVB TANNING SYSTEMS.

- SKIN TYPE II - THIS IS THE INDIVIDUAL THAT USUALLY BURNS EASILY AND SEVERELY. TANS MINIMALLY OR LIGHTLY AND PEELS.
- SKIN TYPE III - OFTEN REFERRED TO AS "AVERAGE" COMPLEXION. BURNS MODERATELY AND TANS ABOUT AVERAGE.
- SKIN TYPE IV - THIS INDIVIDUAL BURNS MINIMALLY, TANS EASILY AND ABOVE AVERAGE WITH EACH EXPOSURE.
- SKIN TYPE V - THIS INDIVIDUAL RARELY BURNS, TANS EASILY

RECOMMENDED EXPOSURE SCHEDULE

RECOMMENDED	Skin Type Session	WEEK 1 1 st -3 rd Session	WEEK 2 4 th -6 th Session	WEEK 3 7 th -10 th Session	WEEK 11 th -15 th Session	WEEKLY Subsequent
EXPOSURE	II - Fair	4 min.	8 min.	12 min.	20 min.	20 min.
	III - Average	4 min.	8 min.	14 min.	20 min.	20 min.
	IV - Brown	5 min.	10 min.	16 min.	20 min.	20 min.
SCHEDULE	V - Dark Brown	5 min.	10 min.	18 min.	20 min.	20 min.

No two individual skin tones are the same. A tan to one person may be different to another, and session length may vary. It is recommended that, following a tanning session, a skin moisturiser be applied. This promotes a smoother more even looking tan. Equally important - many facial make-ups have oil bases and should be removed prior to each tanning session.

NOTE

SINCE THE BACK AND STOMACH AREAS OF THE BODY WILL RECEIVE THE MAJORITY OF THE TANNING RAYS, IT IS RECOMMENDED THAT INDIVIDUALS SPEND ONE HALF OF EACH SESSION LYING ON EACH SIDE OF THE BODY TO ACHIEVE A FULL-BODIED TAN.

WARNING

COMMERCIALY AVAILABLE CREAMS, LOTIONS AND OILS CONTAIN SUNSCREENS WHICH FORM A PHYSICAL BARRIER ON THE SKIN THAT PREVENTS THE UV RAYS FROM PENETRATING AND INDUCING A TAN. IT IS RECOMMENDED THAT YOU ONLY USE CREAMS, OILS OR LOTIONS THAT DO NOT CONTAIN POLYTHENE/GLYCOL MONOLAUATE AND ARE DESIGNED FOR USE WITH INDOOR TANNING EQUIPMENT. FAILURE TO COMPLY WITH RECOMMENDATIONS AND WARNINGS STATED ABOVE MAY VOID THE MANUFACTURER'S WARRANTY.

WARNING!

THIS UNIT MUST NOT BE USED IF THE TIMER IS FAULTY OR IF THE FILTER GLASS PLATE IS BROKEN.

1.4 Proper Operation

All units are intended solely for tanning in the interior of buildings. Operate the unit only in places where there is no risk of hazards and only in dry rooms. The rooms must be well-ventilated (adequate air inflow and air outflow). If the unit is operated in a tanning salon, extremely strict hygiene must be ensured both on the unit and in the room. Any type of use not complying with these remarks is improper, and the manufacturer will not accept liability for any resulting damage or injury. Proper operation also includes compliance with the operating, maintenance and repair conditions specified by the manufacturer. Qualified service technicians authorized by PC Marketing, Inc should only perform maintenance work, and repair work. If unauthorized modifications are made on the units, the manufacturer will not accept liability for any resulting damage or injury.

1.5 Product Liability

The unit may only be operated in the proper manner. If it is operated in an improper manner, the user assumes sole responsibility. In such cases, the manufacturer cannot accept any liability.

1.6 Emergency Procedure

Switch off the electrical supply to the unit by operating the main power switch or circuit breakers, and source the unit to prevent it from being switched on again without authorization.

1.7 Explanation of Danger Symbols



Warning

Warning!

In these Operating Instructions, we have used the word warning to mark all concerns that relate to operating safety. Please post safety instructions for all users.



Function

In these Operating Instructions, we have used the word note to mark all concerns, which contain essential information for operating the unit. Please be sure they are followed in order to avoid damage to the unit.

Note

Various diagrams are referred to in the text, i.e....(30/2) refers to figure 30, item 2.

1.8 Location of the Person Using the Unit

In front of the unit and on the unit's lounge acrylic for tanning.



2 OPERATION/INFORMATION FOR THE PERSON USING THE UNIT

2.1 Starting Tanning



Please read the leaflet "The Sun and You".

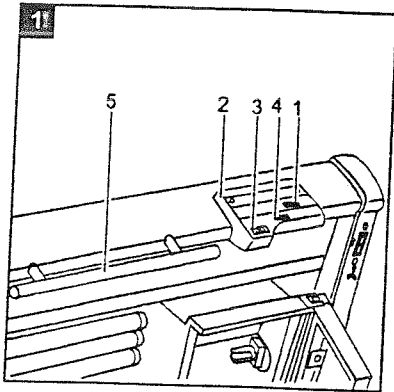
Do not exceed the tanning time recommended for your skin type. Important! Avoid sunburn.

Warning Never undergo ultraviolet exposure if you have sunburn.

Your final tan (when your skin does not tan any more) depends on your skin type. This cannot be changed by using a solarium but only maintained.

Close your eyes while tanning and always wear the protective goggles provided.

People who have undergone surgery to their eye lenses must wear protective goggles. You can interrupt your tanning session at any time by pressing the red EMERGENCY STOP button (1/4) on the coin meter or the STOP button on the control panel.



Starting

Private Use

1. Press the START button (1/1) on the control panel.
2. You can increase the tanning time in increments of one minute each by pressing the START button repeatedly. Enter the desired tanning time within 20 seconds. Otherwise the unit will be blocked from being turned on again, and you will have to wait until the time previously entered has expired.
3. You can read the tanning time in the window (1/3) from either the outside or the inside. The display counts backwards to zero, after which the unit turns off automatically.
4. If you would like to turn the unit off before the set time, press on the STOP button (1/4), which is also located on this control panel.

Coin-operated mode

1. Insert coins or tokens into the coin meter.
2. You can read the tanning time in the window (1/3) from either the outside or the inside. The time shown on the unit display and on the coin meter counts down to 0, after which the unit switches off automatically.
3. If you would like to turn the unit off before the set time, press on the STOP button (1/4), which is also located on this control panel.

2.2 On the Bed

1. Lay down on the bed of the unit.



Keep your body away from the front edge of the bed. Danger of squashing!

Warning

2. Pull down the canopy with the handle (1/5) you can easily reach with your left hand. The distance between your body and the lamps is determined by the design of the unit.

Coin-operated mode

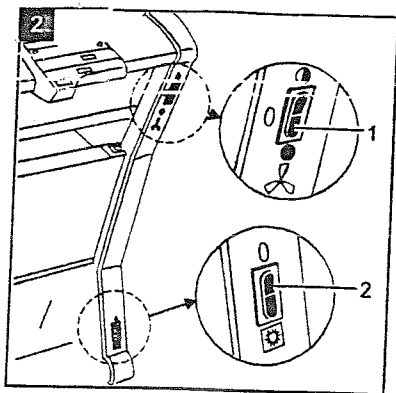
If the tanning session has not yet begun, the pre-tanning time is still active. The lamps switch on automatically after the pre-tanning time.

2.2.1 Operating while on the Bed



You can interrupt the tanning session at any time by pressing the STOP button (1/4).

Function



- Flip switch with the fan icon (2/1)

If you have a fresh-air body air shower (4/1) installed on the unit, you can select your desired climate control setting on the flip switch with the fan icon (2/1).

The flip switch controls the amount of air that is released from the fresh-air body cooler (4/1) which is installed at the foot of the unit.

The position of the flip switch determines the intensity of the air flow.

- | | |
|-------------------------------------|------------------------------|
| Middle setting | - Air flow OFF |
| Icon of circle half filled in | - Air flow at half intensity |
| Icon of circle completely filled in | - Air flow at full intensity |

- Flip switch with the sun icon (2/2)

Depending on the type of unit you have, the flip switch with the sun icon (2/2) turns on either the U P P lamps or the face tanner to the long tanning lamps.

2.3 Cleaning the Plexiglas Panel: Use uwe cleaner only!



Always pay attention to hygiene.

The bed must be disinfected and cleaned after every tanning session.

Warning Keep uwe cleaner and other cleaning agents away from your eyes. Do not spray into naked flames!

Do not drink.

Keep out of the reach of children.

Use cleaning agents as directed. Observe the acting time specified by the manufacturer.

Do not pour liquids onto the unit to ensure moisture does not seep under the covering panels into the electrics.

Cleaning the Acrylic Panel

1. Clean the acrylic panel after every tanning session with the uwe "Hygienic Fresh" cleaner or with Paletti Hydro Vlies.
2. If you are using the uwe "Hygienic Fresh" cleaner, spray it onto the acrylic panel and let it work there for 1 minute.
3. Always dry the panel afterwards with a clean cloth.

INFORMATION FOR THE OPERATOR

3 INITIAL OPERATION

3.1 Important information! Please read!



Do not put defective units into operation.

Observe the highest permissible room temperature (max. 75°F / 35°C) or the bed may become too hot.

Warning Observe the requirements with regard to hygiene.

Provide protective goggles and ensure they are worn.

Point out the importance of observing the tanning time depending on skin type.

Keep the assembly and operating instructions handy.

Post the notes on safety and the "The Sun and You" leaflet in the solarium room where they can be seen easily.

Only operate the unit for longer periods of time with the canopy closed.

3.2 Before Initial Operation

The notes on safety and operating instructions must be read carefully and observed before the unit is set up and operated for the first time.

3.3 Using the Unit for the First Time

Before using the unit for the first time, the local safety specifications and notes on safety must be observed. The unit must not be started up until it is completely assembled, connected to the mains and connected to the coin meter (if there is one) or central desk.

4 CLEANING - IMPORTANT INFORMATION FOR THE OPERATOR



Warning

Pay particular attention to hygiene on and around the unit.

Dust reduces the tanning effect.

Keep cleaning agents away from eyes!

Do not spray into naked flames!

Do not drink! Keep out of the reach of children!

Do not pour liquids onto the unit to ensure moisture does not seep under the covering panel into the electrics.

Use cleaning agents as directed. Observe the acting time given by the manufacturer.

There is no guarantee or warranty liability if another cleaning agent is used.

• Body

1. Clean the painted outer surface of the unit with a cloth that is just barely damp. A little detergent may be added to the water used to moisten the cloth.
2. Do not use scouring agents.
3. Remove stubborn dirt with a soft cloth and a biodegradable cleaning agent (e.g. a cleaning agent containing vinegar).

• Acrylic Panel

PICCOBELLO is particularly suitable for disinfecting, deodorizing and cleaning all kinds of surfaces, especially in tanning salons and fitness studios. PICCOBELLO is supplied by uwe as a concentrate and must be diluted in water to a solution suitable for use.

Diluting PICCOBELLO ready for use

1. Mix 15 ml PICCOBELLO in 1 litre of water to give a 1.5% solution with an acting time of 1 minute.

Cleaning the Acrylic Panel

1. Only use original uwe PICCOBELLO cleaner or or Paletti Hydro Vlies.
2. If you are using the uwe PICCOBELLO Fresh cleaner, spray it onto the acrylic panel and let it work there for about 1 minute.
3. Always dry the panel afterwards with a clean cloth.
4. Clean the side of the acrylic panel that is turned towards the lamp from time to time. Remove the Plexiglas panel to do this.

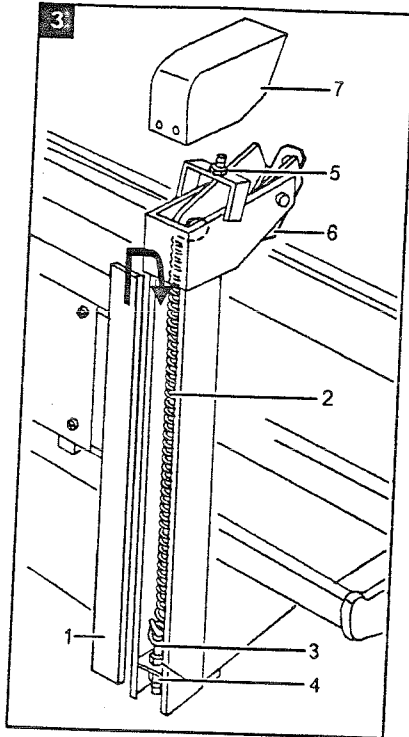
• Reflector

1. Wipe the reflector with a cloth soaked in alcohol when you change the lamps.

5 IMPORTANT INFORMATION FOR THE OPERATOR

5.1 Spiral Spring

The adjustable spiral spring, which is located on the left rear part of the lift, controls the opening force with which you open and close the canopy.



5.1.1 Opening Force of the Canopy

Adjusting the Opening Force

1. Pull off the rear cover (3/1). It is only lightly clipped in place. The spiral spring (3/2) is suspended downward into a ring screw (3/3) and is fixed in place by two nuts (3/4).
2. Use the nuts (3/4) to adjust the ring screw (3/3).

Downward - Increased closing force
Upward - Decreased closing force

3. If the canopy is in a slightly diagonal position, you can compensate for this by moving the adjustment screw (3/5).

5.1.2 Changing the Spiral Spring

Changing the Spiral Spring

1. Remove the cover (3/1).
2. Remove the covering panel (3/7).
3. Thread the loop of a string into the upper eyelet of the spiral spring (3/2).
4. Use the string to stretch the spiral spring upward and extract it.
5. Suspend the new spiral spring into the ring screw (3/3) and draw it up using the loop of the string.
6. Fasten the new spring on the bolt of the suspension (3/6).

5.2 Body Cooling Air

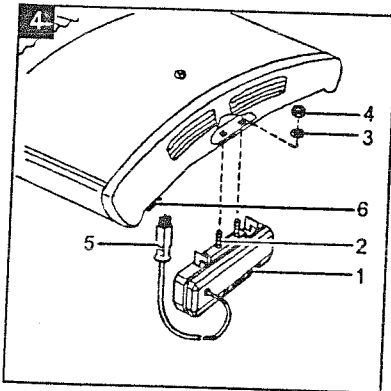


Unplug the unit from the mains.

Warning

Assembling the body cooling unit

1. Remove the acrylic panel from the canopy.
2. Using its two threaded pins (4/2), guide the body cooling unit (4/1) into the front part of the canopy on the foot side.
3. Fasten the body cooling unit in place with the disc (4/3) and nut (4/4).
4. Insert the plug (4/5) of the body fan into the 4-pin socket (4/6) provided for this purpose.
5. Use the body fan with the flip switch (2/1) with the fan icon on it. It is located on the front part of the head side.



6 SERVICING AND MAINTENANCE



Always unplug the unit from the mains!

The operator must ensure that the unit is always operated in perfect condition.

Warning

Ensure the technical equipment is serviced and checked regularly. Additional measures such as preventing unauthorized access are required when repairing or restarting the unit after servicing.

Only authorized persons may work on the unit, please contact your specialist dealer or uwe.

Do not use work procedures which impair the safety of the unit. Always obtain original spare parts from your specialist dealer or uwe. uwe cannot assume liability if lamps, starters or springs are installed other than uwe original parts.

Do not operate the unit without the acrylic panels.

6.1 Exchanging the Acrylic Panel

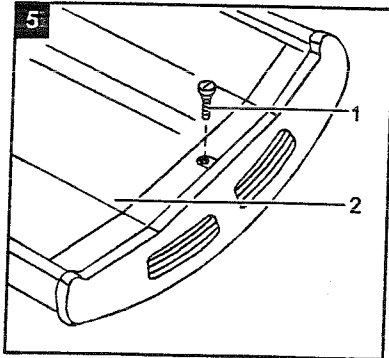
The acrylic panels are special panels with high UV permeability.

Therefore never replace the acrylic panels with window glass or commercial Plexiglas because these partially or completely filter out the UV rays. Always obtain the original acrylic panels from your specialist dealer or the unit manufacturer. On delivery, the acrylic panel is covered on both sides with protective sheeting. Remove this sheeting before use in the tanning unit. Do not operate the unit without the acrylic panel, this no longer ensures that the lamps are cooled.



The manufacturer assumes no liability for damage.

Warning



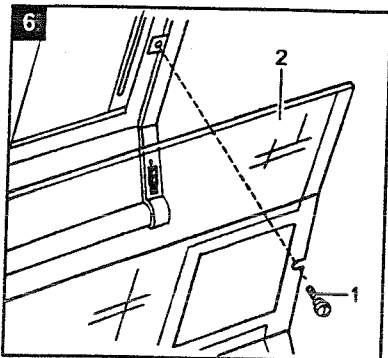
6.1.1 Acrylic Panel of Bed

Removing the Acrylic Panel

1. Unscrew the screws (5/1).
2. Push the acrylic panel (5/2) far enough back and away from the long side between the reflector and side bar until it is lying free on the opposite front long side.
3. Now tip the panel on the free side up somewhat.
4. Then lift the other side of the acrylic panel out of the longitudinal groove.

Fitting the Acrylic Glass Panel

1. Insert the Plexiglas panel in the longitudinal groove.
2. Push it far enough back between the reflector and the side bar so that it can also be reinserted on the opposite long front side.
3. Adjust the Plexiglas panel so that the elongated holes on the Plexiglas panel cover the drilled holes on the front parts. Screw the two screws (5/1) back in.



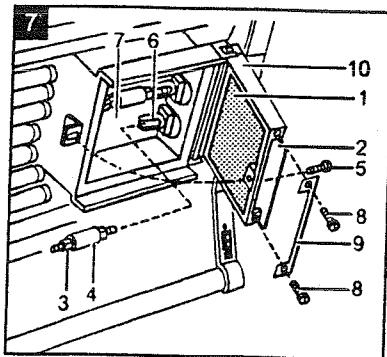
6.1.2 Acrylic Panel of Canopy

Removing the Acrylic Panel

1. Unscrew the two screws (6/1).
2. Press the acrylic glass panel (6/2) backwards in the direction of the lamps and side bar until you can remove it from the longitudinal groove on the opposite front side bar.
3. Now tip the panel on the free side down somewhat.
4. Then lift the other side of the acrylic panel out of the longitudinal groove.

Fitting the Acrylic Glass Panel

1. Insert the acrylic glass into the rear longitudinal groove.
2. Push it far enough back in the direction of the lamps and side bar so that it can also be reinserted on the opposite long front side.
3. Adjust the Plexiglas panel so that the elongated holes on the Plexiglas panel cover the drilled holes on the front parts.
4. Screw the two screws (6/1) back in.



6.2 Servicing the Face Tanners (unit version GB)

The face tanner (GB) can only be used with the two filter discs (7/1, 7/2). If these are damaged or not available, the tanning unit should not be used. Danger of burning! Danger of blinding. If the GB is switched on again straight away, depending on the type, it either does not ignite immediately or does not provide full power since a 4-minute cooling off phase is required. When replacing the high-pressure lamp, please contact the unit manufacturer or your specialist dealer. No liability is assumed if a new original lamp is not installed.

6.2.1 Changing the two High-Pressure Lamp



Hold the high-pressure lamp (7/4) only by the rectangular base (7/3).

Warning

Never pull the high-pressure lamp by the glass bulb.

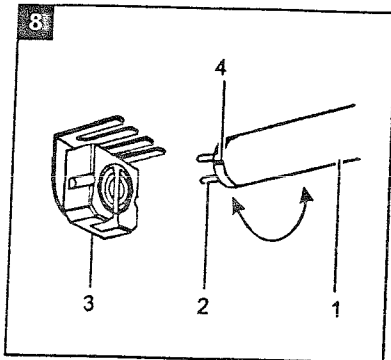
Never touch the glass bulb of the high-pressure lamp with your fingers.

If this should nevertheless happen accidentally, wipe off the fingerprints with a clean cloth soaked in alcohol.

6.3 Exchanging the Lamps

Note

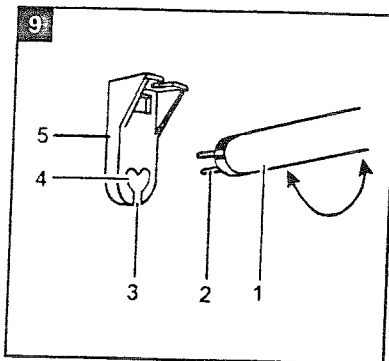
To begin with the lamps are slightly different in color. These differences disappear over time. The lamps are darker at the ends. This is a physical property and not a fault with the lamps. The emission intensity of the lamps decreases gradually without this being visually discernible. You will have to compensate for this with a longer tanning time. uwe recommends changing the fluorescent lamps, the U P P lamps and the high-pressure lamps after about 500 operating hours.



6.3.1 Exchanging the Long Sunlamp

Exchanging the Lamp

1. Remove the appropriate acrylic panel.
2. Turn the tanning lamp (8/1) in any direction until the contact pins (8/2) are visible in the groove of the socket (8/3).
3. Remove the lamp.
4. Clean the reflector with a cloth soaked in alcohol.
5. Hold the new sunlamp horizontally so that the contact pins are lying one over the other vertically.
6. Press the sunlamp into the lamp holder in this position.
7. Turn the sunlamp 90 degrees so that the notch (6/4) in the metal ring at the end of the lamp is facing up and the brighter reflector side of the lamp is lying on the unit side.
8. Fit the appropriate acrylic panel.



6.3.2 Changing the U P P lamp (unit design U P P)

Exchanging the U.P.P Lamp

1. Remove the appropriate acrylic panel.
2. Turn the U P P lamp (9/1) in any direction so that a contact pin (9/2) moves into the open groove (9/3) of the socket below it.
3. Remove the U P P lamp by pulling downwards.
4. Hold the new lamp U P P horizontally so that the contact pins (9/2) lie one over the other vertically.
5. Insert the lamp in this position into the groove which is open at the bottom (9/3). Tip the lamp so that the contact pin fits securely in the socket of the groove (9/4).
6. Turn the lamp so that the second contact pin clips into the other socket.
7. Fit the appropriate acrylic panel.

7 TIPS FOR RECTIFYING MINOR FAULTS



Warning

Unplug the unit before you begin servicing and repair work.

Repairs must only be carried out by uwe or authorized persons.

Safety features must not be disassembled or put out of operation.

The unit must be tested to DIN VDE 0701 and a report written (with carbon copy) after all repair work has been completed. The operator must keep a copy of the report and send a copy to uwe Customer Services.

- **Dark spots at the ends of the lamps**

Dark spots which appear at the ends of the lamps when switched off have no effect on the performance of the unit. Do exchange the starter as a precautionary measure.

- **One or several lamps not lit**

Changing the Starter

1. Remove the appropriate acrylic panel.
2. Check if the lamp is inserted correctly.
3. Check the starter is inserted correctly.
4. Remove the starter of the lamp (see table) which does not light by turning it counterclockwise and then reinsert by turning clockwise.
5. If the lamp still does not light, try inserting the starter of an intact lamp.
6. If this does not work, you must check the lamp.
7. Insert the lamp which does not light into a lamp holder where the lamp does light up. If the lamp does not light, the lamp is faulty and must be exchanged. If it does light up, there is an electric fault in the unit.



Warning

Inspection by uwe or an inspection center named by uwe.

	Starter position	Action
Canopy	On foot-side Lamp sockets	Remove acrylic panel canopy
Canopy U.P.P lamp	Under the covering panel Canopy	Remove Canopy covering panel
Bed	On head side Lamp sockets	Remove Acrylic Panel of Bed

Tab. 1

- **The tanning canopy or tanning bed becomes too hot**

Fans that were installed for cooling in the canopy and bed have failed.



Warning

Inspection by uwe or an inspection center named by uwe.

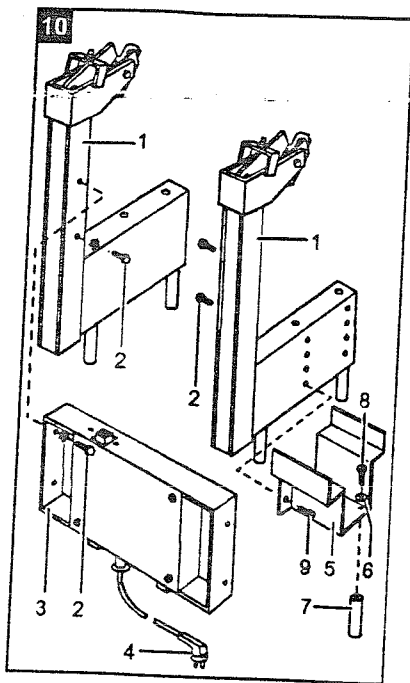
8 DISPOSAL

Lamp

Fluorescent lamps, U.P.P lamps and high-pressure lamps are hazardous waste. They cannot be disposed of with domestic waste. The local authorities provide information with regard to disposal of these lamps.

Unit

Faulty units should be disposed of according to local regulations.



INFORMATION FOR ENGINEERS AND UWE SPECIALISTS

9 SETTING UP THE UNIT



The unit may only be set up by UWE personnel or authorized persons. At least two people are required to set up the unit. The rooms used to set up the units must be well ventilated or there is a danger of overheating.

Warning

9.1 State on Delivery and Place of Installation

The unit is transported and delivered on a pallet. The pallet must be unloaded on-site using a hydraulic ramp or forklift truck. You will find the unit broken down into several pieces on the pallet. Each of these pieces is packed in cardboard boxes. All units are intended solely for tanning indoors. The unit must only be operated in areas free from the danger of explosions and in dry rooms. The rooms must be well-ventilated.

9.2 Assembly and Installation



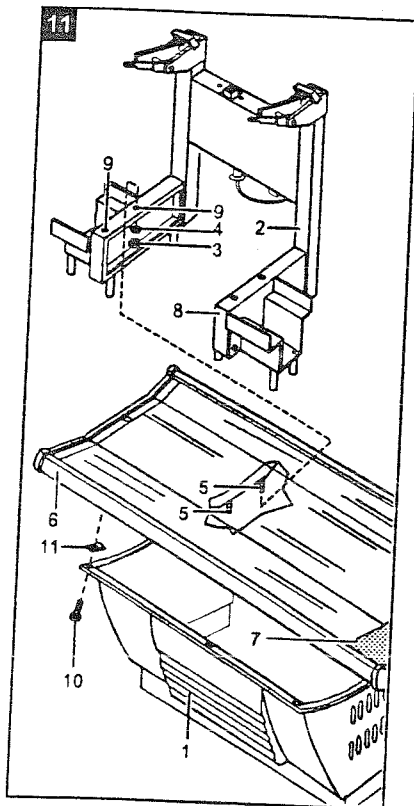
Remove the assembly straps and bring the individual boxes to the installation location.

Warning

9.2.1 Assembling the Stand

Assembling the Feet of the Stand and the Switch Housing

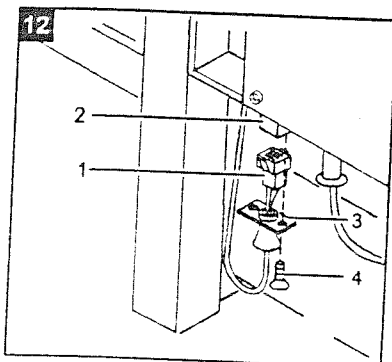
1. Open the box with the switch housing and stand feet.
2. Set up the two feet (10/1) so that the two screw holes are facing inward.
3. Hold the switch box (10/3) so that the power plug (10/4) or the cord comes to rest on the bottom and set the feet on the switch box on the right and left.
4. Connect the feet (10/1) and the switch box (10/3) with the lock washers and screws 6.3 x 13 (10/2).
5. Open the next smaller box and take out the two supports (10/5).
6. Fasten two feet (10/7) each on the underside of the support with a spacing bushing (10/6) and a screw 6.3x19 (10/8).
The feet and spacing discs are in a separate see-through plastic bag included with delivery.
7. Assemble these supports on the outside of the feet with the screws 4.2 x 9.5 (10/9).
Position the casing (11/1) around the stand so that its end edges are flush with the stand legs (11/2).

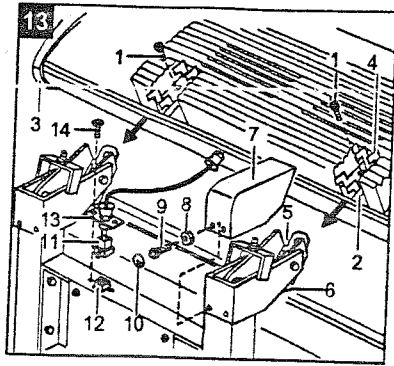


9.2.2 Assembling the Bed

Assembling the Bed

1. Unscrew the nuts (11/3) and washers (11/4) from the studs (11/5) located on the underside of the bed (11/6).
2. Raise the bed high enough so that the wide gray stripe on the Plexiglas panel (11/7) is on the head side.
3. Position the bed on the stand feet (11/8) so that the studs (11/5) are inserted into the recesses (11/9) provided for them.
4. Fasten the studs (11/5) through the washer (11/4) and nut (11/3) through the rear side of the device.
5. Fasten the casing (11/1) which is not connected to anything, on the long side of the bed with screws 4.2x16 (11/10) and nuts (11/11).
6. Insert the plug (12/1) of the bed into the socket (12/2) of the switch box and press the plug connection into the switch box.
7. Screw the plug connection together with its panel (12/3) on the switch box.





9.2.3 Assembling the Canopy

Fitting the Canopy

1. Remove the safety screws (13/1) from the supports (13/2) of the canopy.
2. Lift the canopy.
3. Push the canopy (13/3) onto the stand so that the insertion clip (13/4) locks into the slot (13/5) of the holder (13/6) provided for this purpose.



The two drilled holes for the safety screws must cover each other.
Screw in the safety screws (13/1) and be certain to tighten it.

Function

4. Set the covering panels (13/7) on the stand feet and insert the sheet screws 4.2x9.5 (13/9) with discs (13/8) and caps (13/10).
5. Insert the plug (13/1) of the canopy into the socket (13/12) of the switch box and press the plug connection into the switch box.
6. Screw the plug connection together with the panel (13/13) on the switch box.

9.2.4 Assembling the Handle

Fitting the handle

1. Screw the handle with the spacing bushing and countersunk screws 4.2x45 onto the front long-side support of the canopy.
2. Press the two caps into the recesses of the handle so that they conform to their surface shape.

9.3 Electrical Connection

9.3.1 MONTEGO BAY XF

1. Install a separation device in the permanently fixed electrical installation to separate the mains power with a contact opening of at least 3 mm on each pole.



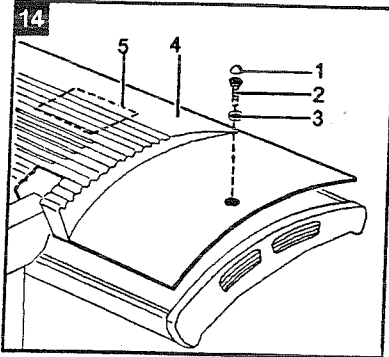
Insert the power plug of the mains power cable (10/4) into a power socket 2 PE - 60 Hz 220 V.

The mains power plug must be accessible.

Warning Warning:

When connecting the unit via an earth-leakage circuit breaker ≤ 30 mA be aware that leakage current peaks which occur when the lamps are switched on are so short that they can only be detected using an oscillograph. If several units are operated together via one earth-leakage circuit breaker, the peaks of the units may trigger the earth-leakage circuit breaker without there actually being any fault in the unit.

For this reason, you should never connect more than 2 devices with a single earth leakage circuit breaker ≤ 30 mA.



9.3.2 Setting on the Unit (Adjusting the Control Mode)



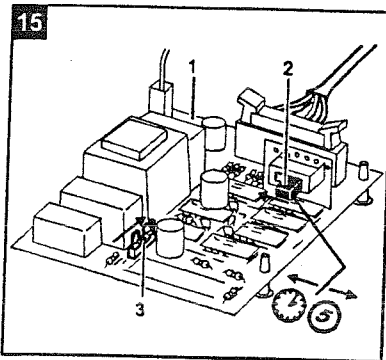
Unplug the unit from the mains.

Warning

Removing Large Canopy Covering Panel

1. Loosen the two caps (14/1).
2. Remove the 4.2 x 32 screws (14/2) with their inserts (14/3).
3. Remove the covering panel (14/4).

The circuit board (14/5) is now easily accessible.



Adjusting the control mode on the circuit board



The control mode (private or coin meter/central desk operation) must be adjusted on this circuit board (14/5) in the canopy.

Function

There is a switch (15/2) on the control board (15/1) and a spring wire (blue socket, 15/3).

1. For

	The disk switch (15/2) is	and spring wire and clip (15/3) is
Private use	on the clock icon	slotted
Coin/central desk operation	on the coin icon	unhooked

Tab. 2

Completing the unit

1. Fit the covering plate (14/4) back on the canopy.

Insert the coding plug (16/1) to connect to the coin time switch or central control system

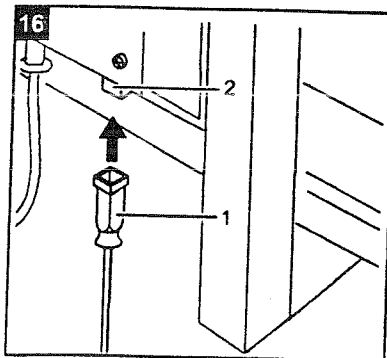
1. Insert the plug (16/1 - available from uwe) with the cable 8 m in length (longer if desired) into the special socket with the safety clip (16/2) located on the lower side of the switch box.

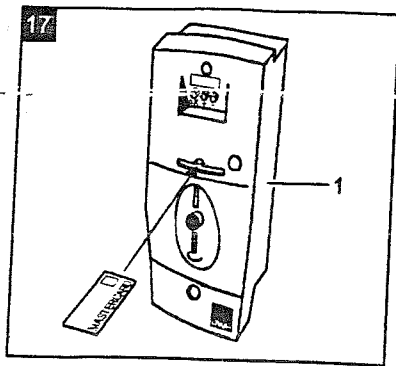
Note

This cable establishes the connection to the coin meter or central desk. The cable is a 4-core cable (phase, switched phase conductor and PE). The coin meter does not therefore require a separate mains connection.

9.4 Coin or Central Desk Operation

The units can also be operated with a coin meter or central desk control.





9.4.1 Setting on the Coin Meter

Fitting the coin meter



The unit may only be connected by a qualified electrician in accordance with DIN VDE 0100.

Warning

Fitting the Coin Meter (17/1)

1. Open the unit.
2. Separate the cable connection between the door and housing.
3. Remove the main door and coin container.
4. Push out the holes you require in the housing for the power cable.
5. Screw the cable glands supplied into the openings.
6. Mount the unit with 3 plugged screws.



The unit must be fitted vertically to a solid, vibration-free wall.

Function

7. Pull the mains cable and control wires through the cable glands.
8. Connect the cables to the labeled connections.



You must ensure that all poles of the coin meter can be isolated from the mains (contact opening 3 mm); the unit must also be earthed.

Function

9. Connect the cable connections between the mains supply circuit and the main board and the ground.
10. Insert the coin container and the main door.
11. Close the unit.

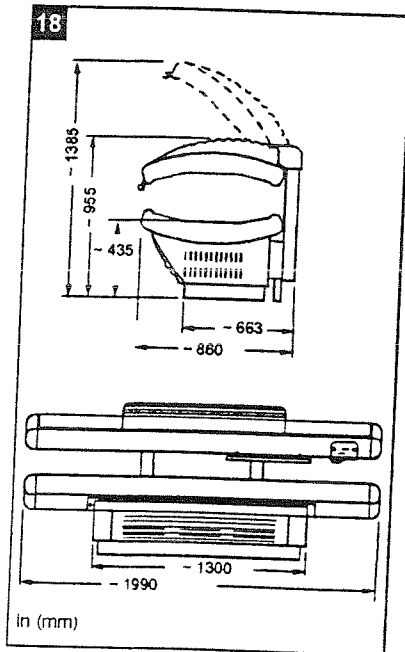


Information on operating and setting the unit can be found in the coin meter operating instructions.

Function

10 INITIAL OPERATION

10.1 Technical Specifications and Dimensions



Designation	MONTEGO BAY XF	
Unit Type	7019/37 R GB Duo	
Power (W)	3.300	
Operating voltage (V)	2 PE - 60 Hz 220 V	
Fuse protection (A)	K 20 A	
Weight (kg)	137	
Dimensions:		
Length with Superfan (mm)	1.990	
Width (mm)	860	
Height (mm)	1.385	
(Canopy open)		
Noise Emission \leq 70 dB (A)		
Room temperature for operation max. 75° F (35 °C)		
The installation site must have a loading capacity of at least 500 kg/m ² and must be even.		

Tab. 3

* Subject to technical alterations

	Lamp configuration
MONTEGO BAY XF Canopy, face Canopy, body Bed	2 x 400 W BQ 471 Z4 6 x 80 W Ever Glo F 59 - 6 x 100 W Etemal Sun F 71 12 x 100 W Etemal Sun F 71

	Skin type II	Skin type III	Skin type IV
Maximum number of tanning sessions per year	60 (Δ 15 kJ/m ²)	43 (Δ 15 kJ/m ²)	33 (Δ 15 kJ/m ²)

Tab. 4

Sunlamp Covering

The sources of UV-light are covered in the upper part by a panel of 2.5 mm thick acrylic glass and in the lower part by a panel of acrylic glass 4 mm thick. The high-pressure lamps of the GB units are covered by a 3.1 mm thick filter type MUG 6 plus (manufacturer's part no. 22010) and with a 2-mm thick filter called Floatglas (manufacturer's part no. 04960). All face tanners are also covered with a lens of 2.5 mm thick acrylic glass. There is a reflector made of mirror-finish rolled, electronically polished and anodized aluminium between the lamps and the canopy and bed.

11 CUSTOMER SERVICE ADDRESS

PC MARKETING
1040 WILT AVENUE
RIDGEFIELD, NJ 07657

1-800-FASTTAN