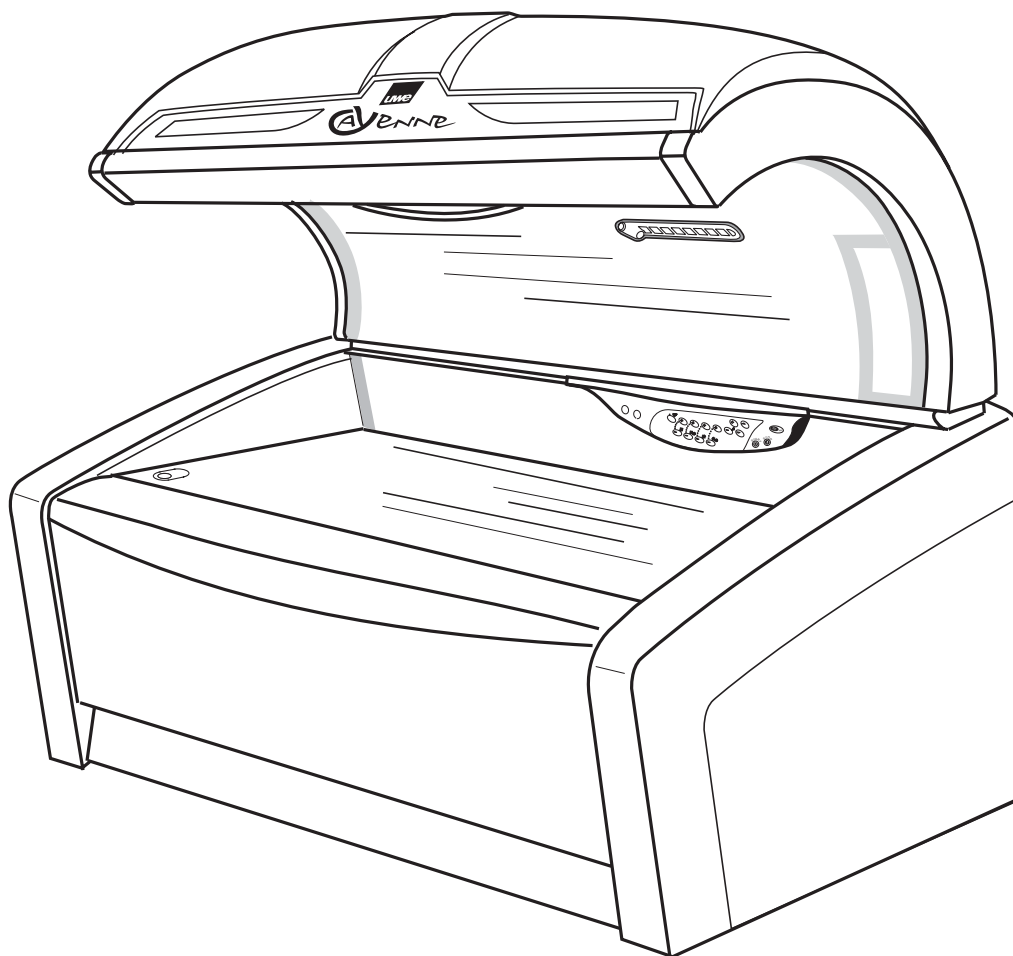


# USER MANUAL AND INSTALLATION INSTRUCTIONS



Model:  
**CAYENNE XTT**

PC MARKETING  
1040 WILT AVENUE  
RIDGEFIELD, NJ 07657

1-800-FAST TAN



## Foreword

Your unit is built according to state-of-the-art technology and is safe to operate. The unit can be dangerous, however, if it is used by persons who have not been trained or shown how to use the unit, or if it is not used for the intended purpose. It is therefore essential that these operating instructions and in particular the notes on safety are read and understood by everyone involved in setting up, commissioning, operating, servicing, and repairing the unit. Allow you and your staff to be instructed by a specialist before using the unit for the first time. In the unlikely event of a technical fault please contact our Customer Service Department or your dealer.

<b>CONTENTS</b>		<b>PAGE</b>
<b>1</b>	<b>NOTES ON SAFETY</b> .....	<b>4-6</b>
1.1	Before Initial Operation .....	4
1.2	Using the Unit for the First Time .....	4
1.3	Safety Warning .....	4-5
1.4	Proper Use .....	5
1.5	Product Liability .....	5
1.6	What to do in an Emergency .....	5
1.7	Explanation of Danger Symbols .....	6
1.8	Position of the User .....	6
 <b>INFORMATION FOR THE TANNING SALON PERSONNEL</b>		
<b>2</b>	<b>OPERATION</b> .....	<b>6-9</b>
2.1	Equipment - New and Proven .....	6
2.1.1	Units with BREEZE Module (optinal) .....	6
2.2	Starting .....	7
2.3	On the Bed .....	7
2.3.1	Interior Control Panel .....	7-8
2.4	Cleaning the Acrylic Panel .....	8-9
 <b>INFORMATION FOR THE OPERATOR</b>		
<b>3</b>	<b>INITIAL OPERATION</b> .....	<b>9</b>
3.1	Important information! Please read! .....	9
3.2	Before Initial Operation .....	9
3.3	Using the Unit for the First Time .....	9
<b>4</b>	<b>CLEANING - IMPORTANT INFORMATION FOR THE OPERATOR</b> .....	<b>9-10</b>
<b>5</b>	<b>IMPORTANT INFORMATION FOR THE OPERATOR</b> .....	<b>10-13</b>
5.1	Service Module (only for units with BREEZE) .....	10
5.1.1	Service Module (Operating Hours, .....	10
	Exclamation Marks on the Display in the base)	
5.1.2	Operating the Service Module .....	10-11
5.1.3	Subprograms of the Service Module .....	11-12
5.2	Audio System .....	13

<b>6</b>	<b>SERVICING AND MAINTENANCE</b> .....	<b>14-21</b>
6.1	Exchanging the Acrylic Panel .....	14
6.1.1	Bed /Side Tanner Acrylic Panel .....	14-15
6.1.2	Canopy Acrylic Panel .....	15
6.2	Servicing the High-Pressure Lamps .....	15-16
6.2.1	Exchanging the High-Pressure Lamp in the Canopy .....	16-17
6.3	Exchanging the Lamps .....	17
6.3.1	Exchanging the Long Sunlamp .....	17
6.3.2	Exchanging the Illumination lamps .....	17-18
6.3.3	Canopy Effect Light .....	18
6.3.4	uwe Light Logo in the Center of the Canopy .....	19
6.4	Exchanging the Filter Mats .....	19
6.4.1	Filter Mats in Base Casing .....	19-20
6.4.2	Filter Mats in the Canopy .....	20
6.5	Stay in the Support Arms .....	20
6.6	Exchanging the BREEZE Module .....	20-21
<b>7</b>	<b>TIPS FOR RECTIFYING SMALLER FAULTS</b> .....	<b>21-22</b>
<b>8</b>	<b>DISPOSAL</b> .....	<b>22</b>

## INFORMATION FOR THE ENGINEER AND DEALER SPECIALIST

<b>9</b>	<b>INSTALLATION OF THE PROFI UNIT</b> .....	<b>22-35</b>
9.1	Place of Installation and State on Delivery .....	22
9.2	Assembly and Installation .....	22
9.2.1	Removing the Bed .....	22-23
9.2.2	Removing the Boards and Air Conditioning Unit .....	23
	(if installed)	
9.2.3	Removing the Side Tanner .....	24
9.2.4	Removing the Outgoing Air Unit .....	24
9.2.5	Removing the Casing .....	24
9.2.6	Removing the Canopy .....	25-26
9.2.7	Removing the Base .....	26
9.2.8	Installing the Outgoing Air Chimney .....	26
9.2.9	Fitting the Base .....	26
9.3	Fitting the Casing .....	27
9.3.1	Fitting the Boards and Air Conditioning Unit .....	27
9.3.2	Fitting the Canopy .....	28-29
9.3.3	Fitting the Side Tanner .....	29
9.3.4	Mounting the Covering Panels in the Canopy, Louvre .....	30
	and Outgoing Air Chimney	
9.3.5	Connecting the Plug Connections .....	30
9.3.6	Fitting the Bed .....	31
9.4	Connecting the Outgoing Air Unit .....	32
9.4.1	Accessories for Outgoing Air Duct Unit .....	32
	(Warm Air Recirculation, Outgoing Air Chimney)	
9.5	Electrical Connection .....	32
9.6	Coin Meter or Central Control .....	33
9.7	Retrofitting Air Conditioning (Accessory) .....	33-34
<b>10</b>	<b>TECHNICAL SPECIFICATIONS</b> .....	<b>34-35</b>
10.1	Technical Specifications, Dimensions and UV type* .....	34
10.2	Lamp Covers (Filter Disks) .....	35
<b>11</b>	<b>Customer Service Address</b> .....	<b>35</b>

## 1 – SAFETY INSTRUCTIONS:

1.1 Before installation and placing in operation, the Safety Instructions and Operating Instructions must be carefully read and observed.

1.2 Before the unit is placed in operation, the local Safety Regulations and the Safety Instructions must be complied with.

### 1.3 SAFETY / WARNING

#### DANGER – ULTRAVIOLET RADIATION

Follow instructions. Avoid overexposure. As with natural sunlight, overexposure can cause eye and skin injury and allergic reactions. Repeated exposure may cause premature aging of the skin and skin cancer. Consult physician before using sunlamp if you are using medication or have a history of skin problems or believe yourself especially sensitive to sunlight. If you do not tan in the sun, you are likely to tan from the use of this product. **WEAR PROTECTIVE EYEWEAR: FAILURE TO MAY RESULT IN SEVERE BURNS OR LONG – TERM INJURY TO THE EYES.**

Therefore, you must observe the following Safety Instructions:

The ultraviolet and visible radiation is very intense. **DO NOT** stare at the tanning lamps.

While tanning, close your eyes, and always use the protective eyewear that is supplied.

Before tanning, always remove jewelry.

**DO NOT** tan more frequent than once every two days.

For recommendations about exposure times and recommended frequencies, please see below **RECOMMENDED EXPOSURE SCHEDULE**, which is enclosed with every unit.

RECOMMENDED	Skin Type	WEEK 1 1 <sup>ST</sup> -3 <sup>RD</sup> Session	WEEK 2 4 <sup>TH</sup> -6 <sup>TH</sup> Session	WEEK 3 7 <sup>TH</sup> -10 <sup>TH</sup> Session	WEEK 11 <sup>TH</sup> -15 <sup>TH</sup> Session	WEEKLY Subsequent Session
EXPOSURE	II - Fair	2 min.	3 min.	6 min.	12 min.	12 min.
	III – Average	2 min.	4 min.	6 min.	12 min.	12 min.
	IV– Brown	2 min.	6 min.	8 min.	12 min.	12 min.
SCHEDULE	V – Dark Brown	2 min.	6 min.	8 min.	12 min.	12 min.

Tanning can begin on a regular basis (allowing 48 hours between sessions). An appearance of tanning normally occurs after a few exposures and maximizes after four (4) weeks of exposure following the recommended exposure schedule of two (2) weekly 10 minute sessions is recommended from the fifth week onward.

**USE PROTECTIVE EYEWEAR WHENEVER THE EQUIPMENT IS ENERGIZED.**

**READ THE INSTRUCTION BOOKLET BEFORE USING THIS PRODUCT.**

#### WARNING

If you have been diagnosed by a physician as being allergic to the sun or are currently taking photosensitive medications, consult your physician before using this product.

Children, persons with fair skin, elderly persons and persons who have a history of skin problems or believe yourself especially sensitive to sunlight, should avoid using this product. If you do not tan in the sun, you are likely to tan from this product.

Certain drugs – particularly those designed to enhance photosensitivity – maybe cause individuals under their influence to experience adverse effects and those people ought to avoid exposure to UV sources of all kinds. Doctors will advise persons taking these drugs of possible adverse effects.

It is recommended that only one person at a time use the tanning system. Use protective eyewear while tanning. One pair of protective eyewear is provided with each unit sold.

Occasionally, persons, using the tanning system will experience a slight reddening of the skin – usually in small patches – after the second or third session. This redness is often accompanied by an itching sensation. This is nothing more than a heat "rash" caused by heat from the lamps within the system. It is generally very limited. It will go away within approximately 24 hours and should not reappear. This rash can be lessened or prevented by applying moisturising lotion to the affected area after the tanning session is complete.

#### CAUTION:

**WHILE THERE IS NO IMMEDIATE CLINICAL EVIDENCE REGARDING UV EXPOSURE AND ITS EFFECTS UPON EXPECTANT MOTHERS, IT IS STRONGLY ADVISED THAT EXPECTANT MOTHERS BE DISCOURAGED FROM USING THIS PRODUCT.**

#### EXPOSURE TIMES AND FREQUENCIES

Melanin, the brownish pigment produced by special cells in the base layers of the skin determines the individual ability to tan. As the skin is exposed to ultraviolet rays, the melanin is activated and combines with protein cells that rise to the skin's surface, thus producing a tan. The amount of melanin in your bodies determining how quickly and darkly you can tan.

## NOTE

THE TAN PRODUCED BY THIS UNIT IS A DEEP, RICH "COSMETIC" TAN, HOWEVER, REGARDLESS OF HOW MUCH AN INDIVIDUAL MAY TAN WITH THIS UNIT, IT WILL NOT PROVIDE ADEQUATE PROTECTION AGAINST OVEREXPOSURE TO NATURAL SUNLIGHT OR UVB TANNING SYSTEMS.

- SKIN TYPE II - THIS IS THE INDIVIDUAL THAT USUALLY BURNS EASILY AND SEVERELY. TANS MINIMALLY OR LIGHTLY AND PEELS.
- SKIN TYPE III - OFTEN REFERRED TO AS "AVERAGE" COMPLEXION. BURNS MODERATELY AND TANS ABOUT AVERAGE.
- SKIN TYPE IV - THIS INDIVIDUAL BURNS MINIMALLY, TANS EASILY AND ABOVE AVERAGE WITH EACH EXPOSURE.
- SKIN TYPE V - THIS INDIVIDUAL RARELY BURNS, TANS EASILY

## RECOMMENDED EXPOSURE SCHEDULE

RECOMMENDED	Skin Type Session	WEEK 1 1 <sup>ST</sup> -3 <sup>RD</sup> Session	WEEK 2 4 <sup>TH</sup> -6 <sup>TH</sup> Session	WEEK 3 7 <sup>TH</sup> -10 <sup>TH</sup> Session	WEEK 11 <sup>TH</sup> -15 <sup>TH</sup> Session	WEEKLY Subsequent
EXPOSURE	II - Fair	2 min.	3 min.	6 min.	12 min.	12 min.
	III - Average	2 min.	4 min.	6 min.	12 min.	12 min.
	IV - Brown	2 min.	6 min.	8 min.	12 min.	12 min.
SCHEDULE	V - Dark Brown	2 min.	6 min.	8 min.	12 min.	12 min.

No two individual skin tones are the same. A tan to one person may be different to another, and session length may vary. It is recommended that, following a tanning session, a skin moisturiser be applied. This promotes a smoother more even looking tan. Equally important - many facial make-ups have oil bases and should be removed prior to each tanning session.

## NOTE

SINCE THE BACK AND STOMACH AREAS OF THE BODY WILL RECEIVE THE MAJORITY OF THE TANNING RAYS, IT IS RECOMMENDED THAT INDIVIDUALS SPEND ONE HALF OF EACH SESSION LYING ON EACH SIDE OF THE BODY TO ACHIEVE A FULL-BODIED TAN.

## WARNING

COMMERCIALY AVAILABLE CREAMS, LOTIONS AND OILS CONTAIN SUNSCREENS WHICH FORM A PHYSICAL BARRIER ON THE SKIN THAT PREVENTS THE UV RAYS FROM PENETRATING AND INDUCING A TAN. IT IS RECOMMENDED THAT YOU ONLY USE CREAMS, OILS OR LOTIONS THAT **DO NOT CONTAIN POLYTHENE/GLYCOL MONOLAUATE** AND ARE DESIGNED FOR USE WITH INDOOR TANNING EQUIPMENT. FAILURE TO COMPLY WITH RECOMMENDATIONS AND WARNINGS STATED ABOVE MAY VOID THE MANUFACTURER'S WARRANTY.

## WARNING!

THIS UNIT **MUST NOT** BE USED IF THE TIMER IS FAULTY OR IF THE FILTER GLASS PLATE IS BROKEN.

### 1.4 Proper Use

All units are intended exclusively for indoor tanning of people and for commercial use. The unit must only be operated in areas free from the danger of explosions and in dry rooms. The rooms must be well ventilated. If operated in a tanning salon, the room and solarium itself must be kept clean and hygienic. Any additional use is not regarded as the intended proper use and the manufacturer accepts no liability for any damage that may arise as a result. All risk falls to the user.

Proper use includes observance of the operating, maintenance, and servicing conditions specified by the manufacturer. Servicing and repair work and the like may only be carried out by Customer Service Department or persons commissioned by them. The units may only be used by those who are familiar with them and who have been informed about the dangers. Appropriate accident prevention measures and other generally recognized rules regarding safety and industrial medicine must be observed. Unauthorized changes to the units exclude the liability of the manufacturer for any resulting injury. This applies in particular to injury resulting from the use of lamps and/or filter disks not authorized by PC Marketing.

### 1.5 Product Liability

The attention of the user is drawn explicitly to the fact that the unit may only be used for the intended purpose. All responsibility and liability falls to the user if the unit is used other than for the intended purpose. The manufacturer no accepts any liability.

### 1.6 What to do in an Emergency

Remove the mains plug or switch off the power using the main switch or fuses and secure the unit against unauthorized re-initialization.



Warning

## 1.7 Explanation of Danger Symbols

### Warning!

All sections in these operating instructions that relate to your safety are marked with this symbol.

Please also pass on the information regarding safety to other users.



Function

All sections in these operating instructions that contain information regarding the function of the unit are marked with this symbol. Please pay particular attention to this information to avoid damaging the unit.

### NOTE

All information and notes in these operating instructions are marked with the word Note.

### Pictures

Various figures and diagrams are referred to in the text. For example (30/2) refers to Figure 30, item 2.

## 1.8 Position of the User.

In front of the unit and on the bed.

## INFORMATION FOR THE SALON PERSONNEL

### 2 OPERATION

#### 2.1 Equipment - New and Proven



Function

**Important information! Please read!**  
Please pass on all this information to the user.

#### AIR SHOWER

There is an air vent in the canopy, which allows cool air to pass directly over the upper body.

#### HEADPHONES SOCKET

You can plug a 3.5 mm headphone jack into the socket to enjoy music played on the central sound system.

#### SPEAKERS (Optional)

If you prefer you can equip your solarium with 2 speakers so that you can enjoy the music played on the central sound system while you tan.

#### FANS

The fans are set to continue running for approximately 6 minutes (factory setting) after the tanning session to allow the unit to cool.

#### BREAKSAFE

The transparent filter disks over the high-pressure lamps in the canopy are protected by a BREAKSAFE device. If one of these filter disks breaks, the power supply is interrupted and the unit cannot be restarted until the filter disk has been replaced with a new one. The XTT filter disks over the high-pressure lamps must be visually inspected.

#### 2.1.1 Units with BREEZE Module (Optional)

If your unit is equipped with a BREEZE module then you can also select additional settings.

#### BREEZE

There are two nozzles in the canopy, which, if desired, spray a fine mist of distilled, germ-free water into the tanning area of the unit.

#### INTERACTIVE OPERATION

You can adjust the tanning and cooling intensity for the body and face areas separately using the interior control panel (2 knobs for each).

#### SERVICE MODULE

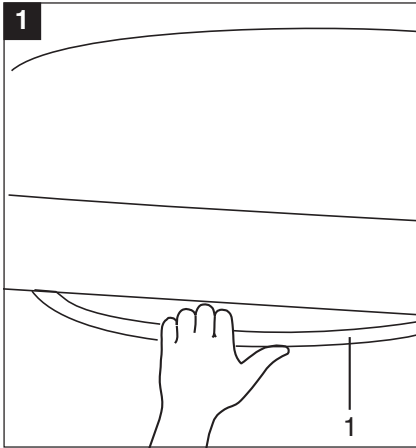
The service module makes it easier to maintain and check the wearing parts of the unit for aging.

## 2.2 Starting



Warning

Please refer to the table of recommended tanning times. Do not exceed the tanning time recommended for your skin type. Avoid sunburn. Never undergo ultraviolet exposure if you have sunburn. Your final tan (when your skin does not tan any more) depends on your skin type. This cannot be changed by using a solarium but only maintained. Close your eyes while tanning and always wear the protective goggles provided. If you have undergone surgery to your eye lenses it is extremely important that you wear protective goggles while tanning.



### Starting the Unit

1. Insert coins or tokens into the coin meter. The unit switches on automatically after the pre-tanning time depending on the central desk operation or coin meter system used.

### 2.3 On the Bed

1. Lay down on the bed.



Warning

**Keep your body away from the front edge of the bed. Danger of squashing!**

2. Pull down the canopy using the handle (1/1) you can reach with your left hand.

The distance between you and the lamps is determined by the design of the unit. If the tanning session has not yet begun, the pre-tanning time is still active. The lamps switch on automatically after the pre-tanning time.

### Ending the Pre-tanning Time Prematurely (Early Start or Remote Start)

1. Press the START button (2/18) on the interior control panel. The lamps switch on immediately (before the pre-tanning time is over).

#### 2.3.1 Interior Control Panel

- **START button (2/18)**

##### Unit coin-operated

If you have interrupted the tanning session by pressing the STOP button (2/17) you can restart the tanning session by pressing the START button (2/18). With the START button you can start the unit before the end of the warming-up period (early start).

##### Unit for private use

By pressing the START button (2/17) over and over again, you can set the time on the display (2/20) to the tanning time you want in steps of one minute. This has to be carried out within a period of 20 seconds.

Tanning starts 5 seconds after actuating the START button for the first time. If you have interrupted tanning with the STOP button (2/17), you can restart tanning again with the START button (2/18).

- **STOP button (2/17)**

You can interrupt the tanning session any time by pressing the STOP button (2/17).

##### Unit coin-operated

You can switch off the sunlamps before the end of the tanning session by pressing the STOP button (2/17).

Tanning time continues during this interruption, i. e. the display (2/20) continues to count.

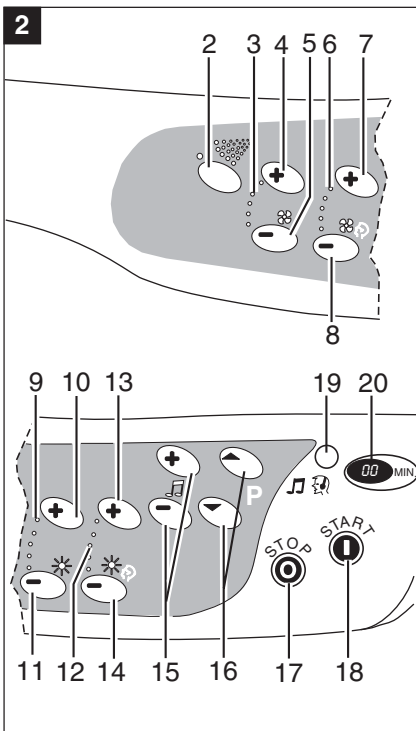
##### Unit in private use

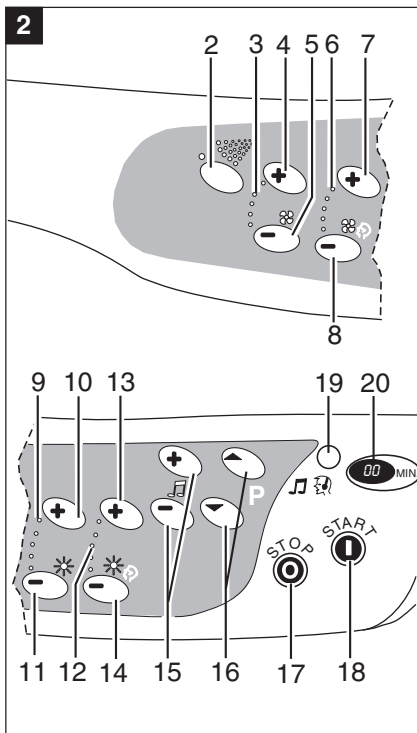
You can switch off the sunlamps before the end of the tanning session by pressing the STOP button (2/17).

The display shows the tanning time elapsed.

The display lights up and shows a remaining tanning time.

If you press the STOP button (2/17) again, the tanning session is interrupted completely and the display shows 0.





- **Ventilator buttons**

The buttons (3/4, 3/5) control the cooling air supply from the fan at the base of the unit. The buttons (3/7, 3/8) control the cooling air supply from the air vent in the upper canopy area.

Press the Plus button (3/4 or 3/7) to increase the intensity of the corresponding cooling air supply and press the Minus button (3/5 or 3/8) to decrease (3/3 or 3/6) light up to indicate the cooling level chosen. For level 1 LED 1 is switched on, for level 2 LED 1, 2, and 3 and for level 3 LED 1, 2, 3, 4, and 5. If you want to switch off ventilation completely, press the Minus button (3/5 or 3/8) at level 1 for 3 seconds. When the tanning is restarted, the ventilation level chosen is retained. If ventilation had been switched off, the unit starts with level 2.

- **Tanning buttons**

The buttons (3/10, 3/11) control the intensity of the tanning of the body.

The buttons (3/13, 3/14) control the intensity of the tanning of the face. For a unit model HD XTT these are the three high-pressure lamps, for a unit model CPS these are the U.P.P lamps for the face. Press the Plus button (3/10 or 3/13) to increase the intensity for the corresponding tanning area and press the Minus button (3/11 or 3/14) to decrease the intensity. You can choose from 3 different levels. The red LED's (3/9 or 3/12) light up to indicate the level chosen. For level 1 LED 1 is switched on, for level 2 LED 1, 2, and 3 and for level 3 LED 1, 2, 3, 4, and 5. If you want to switch off tanning of the body completely, press the Minus button (3/11) at level 1 for 3 seconds.

If you want to switch off tanning of the face completely, press the Minus button (3/14) at level 1 for 3 seconds.

If tanning of the face is switched off via the Minus button (3/14) and switched on again within 2 minutes, the active LED's (3/12) light up for 2 minutes, i.e. the high pressure lamps need up to 2 minutes to relight.

When tanning is restarted, the level chosen before is retained.

If the face tanners have been switched off, the unit will restart tanning on level 3 (highest level). When the tanning time is expired (Off coin-operated or OFF private use), the face tanners are gradually turned off.

- **Display (3/20)**

Unit coin-operated

The two-digit display (3/20) counts the time from the active coin meter signal in steps of one minute. It shows how much tanning time has elapsed. If the tanning time is interrupted by pressing the STOP button (3/18), the display (3/20) continues to count the tanning time.

At the end of the tanning session the unit switches off and the display shows 0.

**Unit in private use**

The two-digit display (3/20) counts the time from beginning of tanning in steps of one minute down to 0. If the tanning time is interrupted via the STOP button (3/18), the display lights up and shows the currently elapsed tanning time.

- **Volume control buttons (3/15 see Sec. 5.2)**

Adjust the volume of the music using both buttons. By pressing the Plus button the volume is raised, by pressing the Minus button, the volume is reduced.

- **Audio System Program Selection Buttons (3/16, see Sec. 5.2)**

Select one of the entertainment programs with the arrow-buttons (3/16) beside the letter "P".

- **BREEZE button (3/2)**

If you press the button with the BREEZE symbol (3/2), a fine atomised spray of distilled water is sprayed from two nozzles in the canopy area onto the body and face.

During the spraying cycle (time out about 2 minutes), the LED lights up red and the BREEZE button cannot be activated during this time.

**2.4 Cleaning the Acrylic Panel: Only use PC Marketing cleaner**



Warning

**Always pay attention to hygiene.**

The bed must be disinfected and cleaned after every tanning session.

Keep PC Marketing cleaner and other cleaning agents away from your eyes. Do not spray into naked flames.

Do not drink.

Keep out of the reach of children.

Use cleaning agents as directed by the manufacturer and observe the acting time.

Do not pour liquids onto the unit to ensure moisture does not seep under the covering panels into the electrics.

### **Cleaning the Acrylic Panel (bed panel)**

1. Clean the acrylic panel after every tanning session with PC Marketing "PICCOBELLO" cleaner or Paletti Hydro Vlies.
2. If using PC Marketing "PICCOBELLO" cleaner, spray the cleaner onto the acrylic panel and leave for 1 minute.
3. Always dry the panel afterwards with a clean cloth.

## **INFORMATION FOR THE OPERATOR**

### **3 Initial Operation**

#### **3.1 Important information! Please read!**

**Do not put defective units into operation.**

**Please send a copy of the inspection report in accordance with DIN VDE 0701 to the Customer Service Department.**

**Observe the highest permissible room temperature (max. 35°C) or the unit may overheat.**

**Observe the requirements with regard to hygiene.**

**Provide protective goggles and ensure that they are worn.**

**Make users aware of the importance of observing the tanning time depending on their skin type.**

**Keep the assembly and operating instructions close by.**

**Post the notes on safety and the recommended tanning times in the solarium room where they can be seen easily.**

**Only operate the unit for longer periods of time with the canopy closed.**

**There is a sticker on the acrylic panel of the bed providing important information in 4 languages. Please read this information and then remove the sticker.**

- **BREEZE button (3/2)**

If you press the button with the BREEZE symbol (3/2), a fine atomised spray of distilled water is sprayed from two nozzles in the canopy area onto the body and face.

During the spraying cycle (time out about 2 minutes), the LED lights up red and the BREEZE button cannot be activated during this time.

#### **3.3 Using the Unit for the First Time**

Observe the local safety specifications and notes on safety before using the unit for the first time. The unit cannot be started up until it is completely assembled, connected to the mains power supply and hooked up to the coin meter or central desk.

## **4 CLEANING - IMPORTANT INFORMATION FOR THE OPERATOR**

**Pay particular attention to hygiene on and around the unit. Dust reduces the tanning effect.**

**Keep cleaning agents away from eyes!**

**Do not spray into naked flames!**

**Do not drink! Keep out of the reach of children!**

**Do not pour liquids onto the unit to ensure moisture does not seep under the covering panels into the electrics.**

**Use cleaning agents as directed. Observe the acting time specified by the manufacturer.**

**There is no guarantee or warranty liability if another cleaning agent is used.**

- **Body**

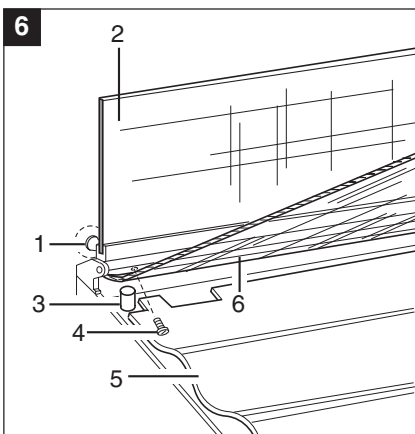
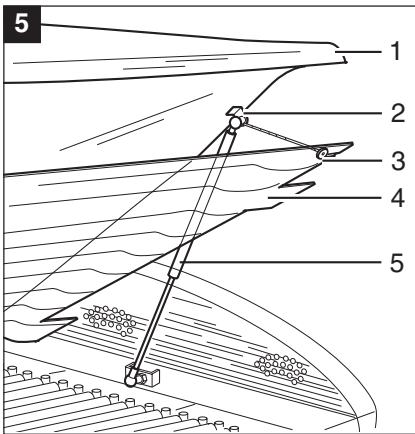
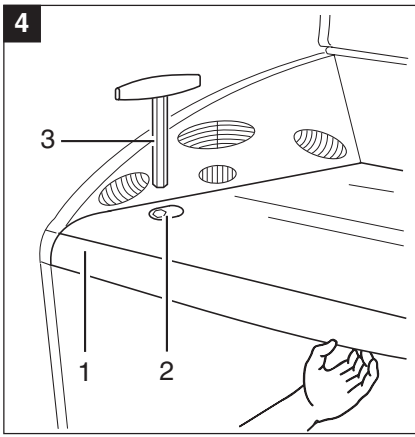
1. Clean the painted outer surfaces of the unit with a damp cloth. The water used to moisten the cloth may contain a little detergent.
2. Do not use scouring agents.
3. Remove stubborn dirt with a soft cloth and a biodegradable cleaning agent (e.g. a cleaning agent containing neutral soap).

- **Acrylic Panel**

"PICCOBELLO" cleaning agent is particularly suitable for disinfecting, deodorizing and cleaning all kinds of surfaces, in particular tanning salons and fitness studios. "PICCOBELLO" is supplied by PC Marketing as a concentrate and must be diluted in water to a solution suitable for use.

#### **Mixing PICCOBELLO Ready for Use**

1. Mix 15 ml of "PICCOBELLO" in 1 liter of water. This gives a 1.5% solution that requires an acting time of 1 minute.



#### Cleaning the Acrylic Bed Panels

1. Only clean the acrylic panels with the original "PICCOBELLO" cleaner or Paletti Hydro Vlies.
2. If using the "PICCOBELLO" cleaner, spray the cleaning agent onto the acrylic bed panel (4/1) and leave to work for approximately 1 minute.
3. Always dry the panel afterwards with a clean cloth.
4. Occasionally clean the underside of the bed panel, the corrugated acrylic panel underneath the bed panel and the acrylic panel in the canopy and side tanner.

#### Lifting the Acrylic Bed Panels

1. Take the Allan key (4/3) provided.
2. Using the Allan key, turn the bolt (4/2) of the bed panel (4/1).
3. Do the same with the second bolt.
4. Hold the bed panel (4/1) at the front long side and lift the panel all the way up.  
The gas pressure spring (5/5) holds the bed panel and corrugated acrylic panel (5/4) underneath it in this open position.
5. Detach the corrugated acrylic panel (5/4) from the fastening cords (5/3). The corrugated acrylic panel now lies freely on the bed and can be removed for cleaning.
6. Clean the underside of the bed panel and the lower corrugated acrylic panel with "PICCOBELLO" cleaner or Paletti Hydro Vlies.

#### Lowering the Acrylic Panels

1. Lay the corrugated acrylic panel on the bed so that the adjusting bolts (6/3) fit in the recesses.
2. Lift the corrugated acrylic panel and attach it in the fastening cords (5/3).
3. Hold the front long side of the bed panel (5/1) and lower it down onto the bed.
4. Turn back both bolts (4/2) using the Allan key so that the bed panel is secured in place.

#### • Reflector

1. When replacing lamps, wipe the reflectors with a cloth that has been soaked in alcohol.

#### • Stainless Steel Canopy

1. Clean the stainless steel canopy with a soft cloth. Add a few drops of olive oil to the cloth to make it easier to clean the canopy.

### 5 KNOW HOW FOR THE OPERATOR

#### 5.1 Service-Module

(operating hours, lighting spot on the decimal display, error messages)

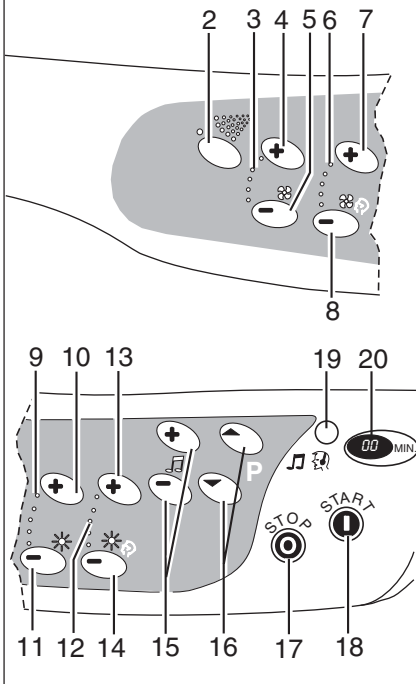
##### 5.1.1 Service-Module

The Service-Module comprises three programs (program menu Pr, service menu S1, service menu S2), which can be called at the display (9/20). With these programs you can call operating hours, temperatures, error messages etc.

##### 5.1.2 Operating the Service-Module (see operating diagram page 14)

1. Press the START button (7/18) and the STOP button (7/17) simultaneously for about 4 seconds. The program menu will appear on the display (7/20).
2. By pressing the START button, you can change between the three programs: Program menu, service menu 1, service menu 3. By pressing the STOP button while a program is running, you jump into the program.
3. If you press the START button in a menu, you will run through the individual parameters.
4. If you press the STOP button for a parameter, the parameter (e.g. the operating hours) is displayed. Two alternating values are displayed. The single digit shown indicates the ten thousands. The two digits displayed are the thousands and hundreds.
5. Pressing and holding the START button displays the tens and the ones.
6. Pressing the START (7/18) and STOP (7/17) buttons simultaneously for about 4 seconds enables the elapsed time to be set to 0 (RESET), e.g. after replacing lamps.
7. To quit the service module, press the START and STOP button again simultaneously for about 4 seconds on program level Pr.
8. **9. If you unplug the unit from the power supply within 5 minutes of leaving the service module, the parameters you have changed will be saved and activated.**

**7** Interior control panel with BREEZE



If parameters are changed but you do not unplug the unit after leaving the service module to confirm your changes, then the previous settings remain unchanged.

If you are in the service module but do not make any changes within a period of about 4 minutes, the system automatically exits the service module and returns to standby mode.

For operating the service module see diagram page 14.

**5.1.3 Programs of the Service-Module**

• **Program menu Pr**

1. Read the operating hours in the program menu.  
PrP1: Operating hours solarium  
PrP2: Operating hours body tanners  
PrP3: Operating hours face tanners  
PrP4: BREEZE sprayings (see Sec. 6.6)  
PrP5: Bleed BREEZE (BREEZE see Sec. 6.7)  
PrP6: Operating hours AROMA
2. In the program menu, e.g. for P2, press the STOP button to read the currently elapsed operating time of the body tanners.
3. Read the operating hours.  
Two alternating values are displayed. The single digit shown indicates the ten thousands. The two digits shown are the thousands and the hundreds.
4. Pressing and holding the START button displays the tens and the ones.
5. Pressing the START and STOP buttons simultaneously for about 4 seconds enables the elapsed time to be set to 0 (RESET), e.g. after replacing lamps.  
**The left dot on the 7 segment display lights up.**
6. When the operating hours counter has reached its limit value, the left dot of the 7 segment display lights up. Go to the program menu and replace the lamps for which the operating time has expired. Then reset operating hours to 0 (RESET).
7. Disconnect equipment within 5 minutes to save and activate the modified parameters again.  
**The right dot of the decimal display lights up.**  
**If the right dot of the decimal display lights up, either the BREEZE canister or the AROMA bottles must be replaced.**  
**Go to the program menu PrP4 or PrP6.**

**BREEZE**

Read the number of BREEZE sprayings at PrP4. The right dot of the decimal display lights up when the limit value of 1900 sprayings has been achieved. The right decimal point and the LED lamp below the BREEZE button light up as soon as 2000 sprayings are completed, the BREEZE button then cannot be used any more.

**You must replace the BREEZE canister.**

If you replace a BREEZE module component, such as the reservoir, the number of sprayings has to be reset to 0 (PrP4), the BREEZE system has to be bled and the unit unplugged from the mains.

1. For more information on this procedure see Sec. 6.7.

• **Service Menu S1 and Service Menu S2**

1. The service Menu 1 shows:
  - S1P1: Ventilation overrun time can be set between 0 and 10 minutes.
  - S1P2: Temperature 1 supply air, reading
  - S1P3: Temperature 2 supply air, reading
  - S1P4: Limit value to be set for operating hours of ND lamps. If this is reached, the left dot in the 7 segment display lights up.
  - S1P5: Limit value to be set for operating hours of HD lamps. If this is reached, the left dot in the 7 segment display lights up.
2. **Disconnect equipment within 5 minutes to save and activate the modified parameters again.**

• **Service Menu S2**

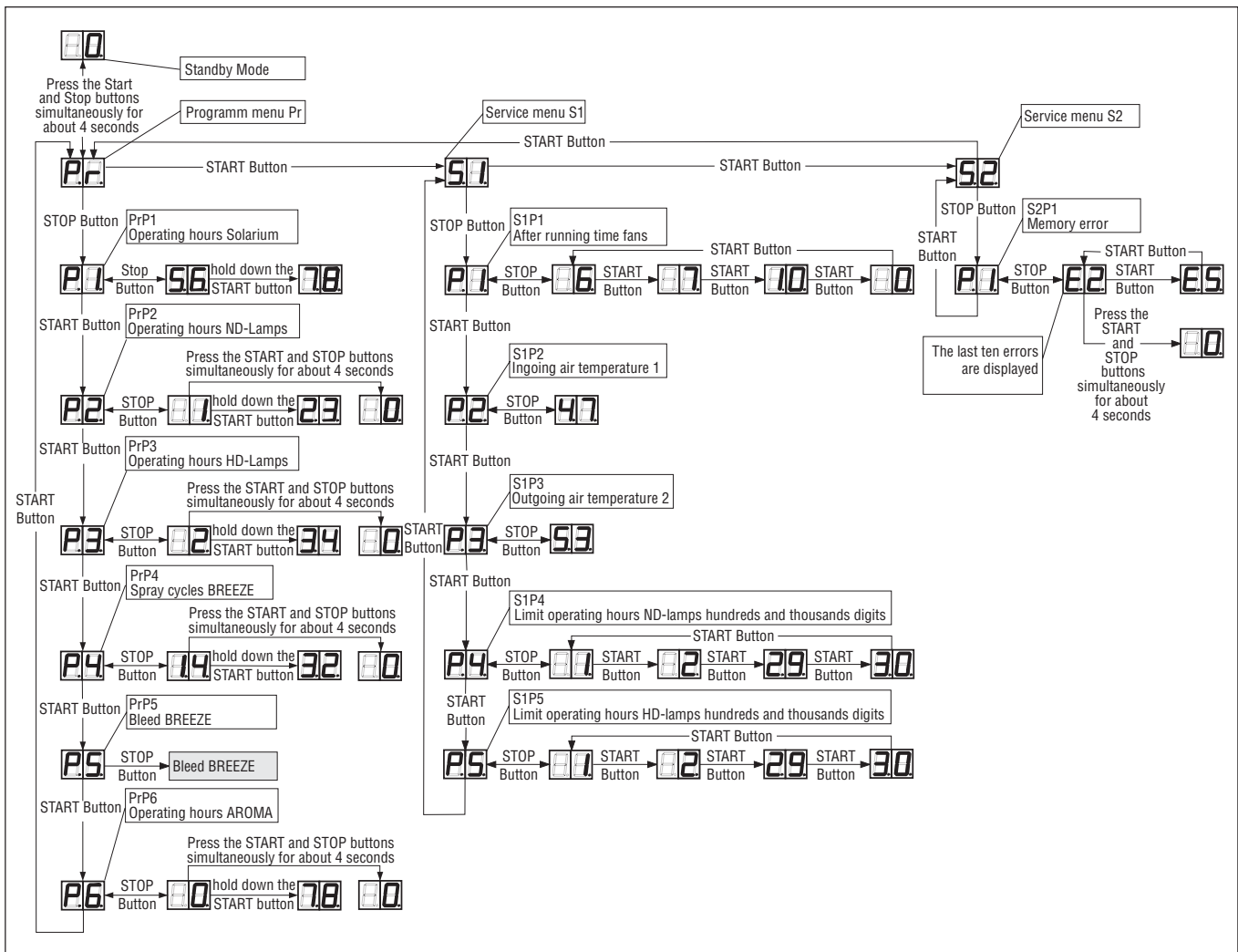
1. In Service Menu 2 read the error messages with an E at the left position and an error number at the right position.
2. In case of an error message, press the START button (7/18) in Service menu 2 to display the last ten errors.



**In case of an error message on your display please contact your authorized dealer or the Customer Service.**

Warning

**Overview of the Service Module:**



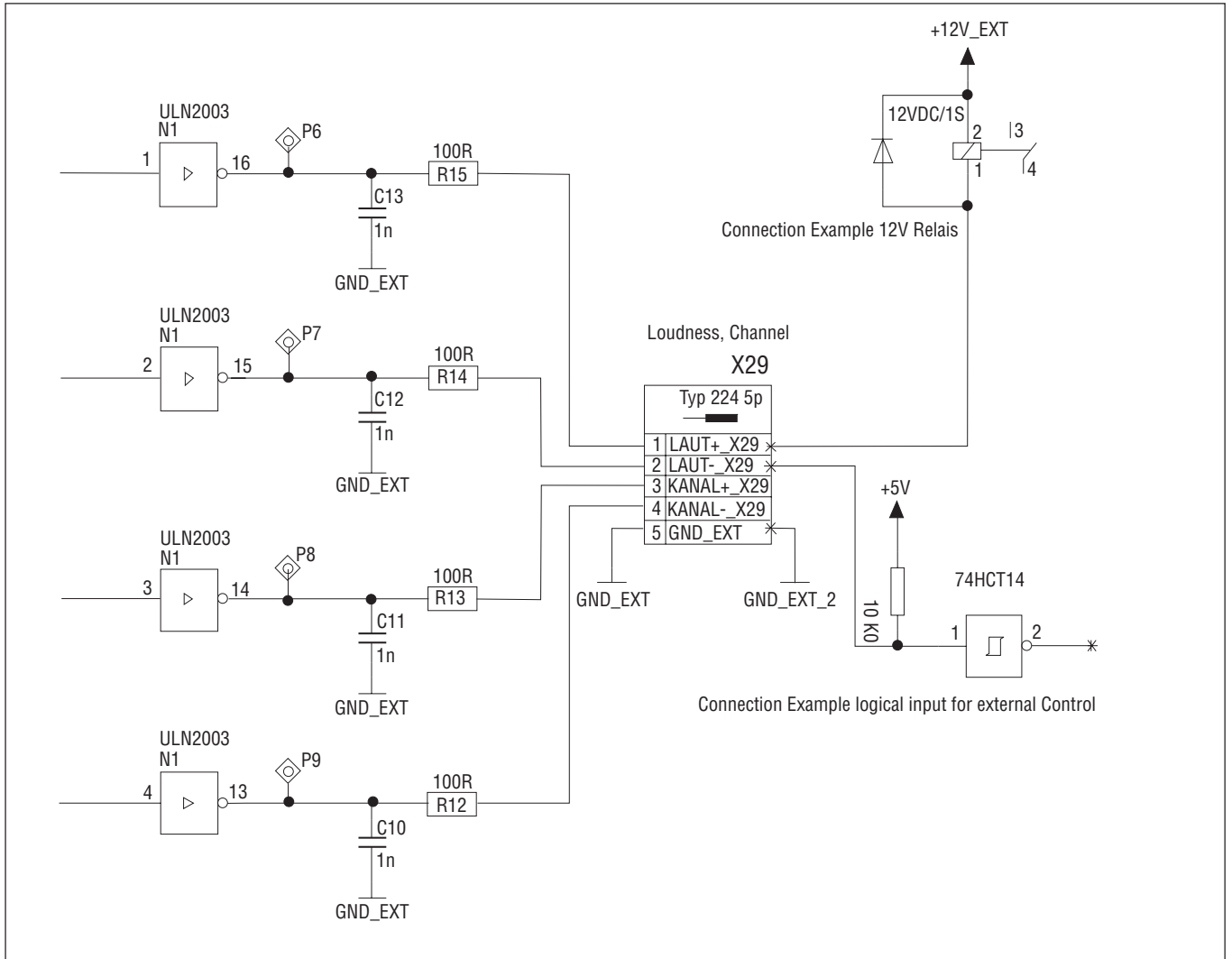
## 5.2 Sound system

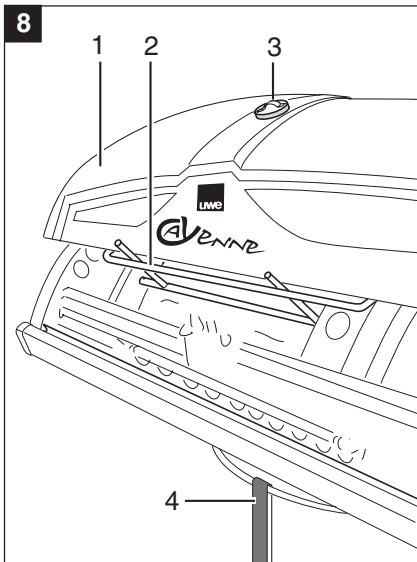
### Sound system

The unit is equipped with two buttons for volume control (9/15) and with two buttons for programm select (9/16). As a factory setting these buttons are connected to your studio PC provider or your sound system provider (central control). The connection is carried out according to the following connecting example.

### Connection of sound system

Connecting example for an external relay or logic input of an external electronics assembly.





## 6 SERVICING AND MAINTENANCE



Always unplug the unit from the mains!

Warning

The operator must ensure that the unit is always operated in perfect condition.

Ensure the technical equipment is serviced and checked regularly.

Additional measures such as preventing unauthorized access are required when repairing or restarting the unit after servicing.

Only authorized persons may work on the unit, please contact your specialist dealer or PC Marketing.

Do not use work procedures, which impair the safety of the unit.

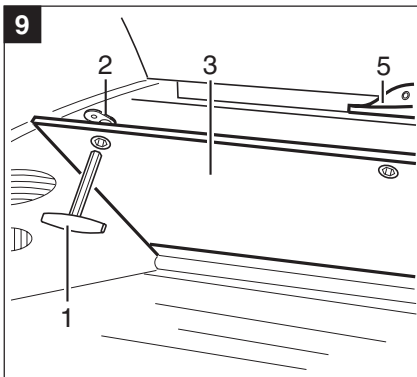
Always obtain original spare parts from your specialist dealer. No liability is assumed if other lamps or starters are installed other than original parts.

Do not operate the unit without the acrylic panels.

Always adjust the canopy to the lower position (unit closed) using the strap (8/4) before lifting the large cover (8/1) of the canopy. Otherwise the cover may become damaged.

Warning!

The canopy is secured by a stay.



### 6.1 Exchanging the Acrylic Panel

The acrylic panels are special panels with high UV permeability. Never replace the acrylic panels, therefore, with window glass or commercial Plexiglas because these partially or completely filter out the UV rays. Always obtain the original acrylic panels from your specialist dealer or the unit manufacturer. On delivery, the replacement acrylic panel is covered on both sides with protective laminate. Remove this protective laminate before use in the tanning unit. Do not operate the unit without the acrylic panels, this no longer ensures that the lamps are cooled.

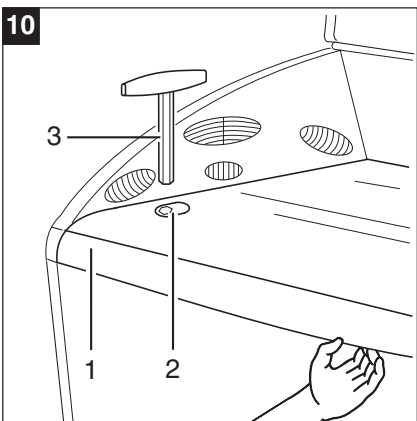


The manufacturer assumes no liability for damage.

Warning

The acrylic panel of the canopy, side tanner and bed panel are frosted on one side (**LIGHT GLASS**).

1. During installation ensure that the frosted side of the acrylic panel always faces the lamps.
2. Do not polish the frosted side of the acrylic panel with polish.

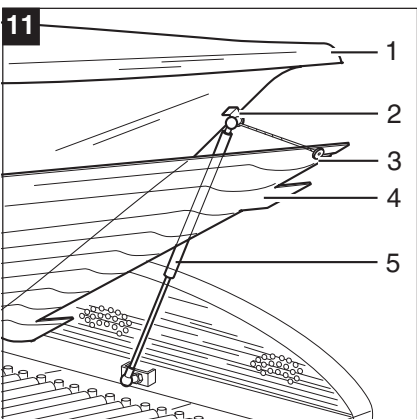


#### 6.1.1 Bed Acrylic Panel/Side Tanner Acrylic Panel

A rail connects the upper bed panel and the acrylic panel of the side tanner. There are 2 acrylic panels on top of one another in the bed – the corrugated lower acrylic panel and the upper bed panel.

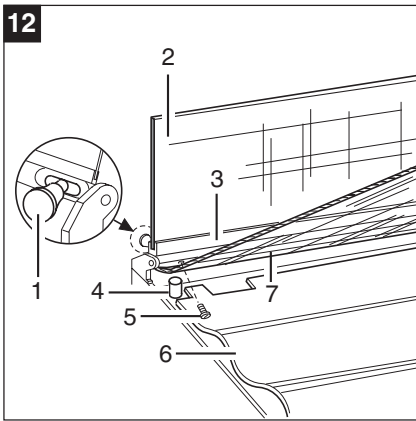
##### Bed Panel

1. Take the Allan key (10/3) provided.
2. Using the Allan key, turn the bolt (10/2) of the bed panel (10/1).
3. Do the same with the second bolt.
4. Hold the bed panel (10/1) at the front long side and lift the panel all the way up. The gas pressure spring (11/5) holds the bed panel and corrugated acrylic panel underneath it in this open position. The corrugated acrylic panel now lies freely on the bed and can be removed.
6. Loosen both gas pressure springs at the upper fixing point (11/2). Both gas pressure springs must be loosened otherwise the bed panel is under tension.
7. Place the bed panel on the bed.



##### Side Tanner Acrylic Panel

1. Lift the interior control panel (9/5) upwards.  
**The control panel snaps into place.**
2. Take the Allan key (12/1) and turn the three bolts (9/2) to the left.  
**Warning! The acrylic panel is lowered. Place carefully on the bed panel.**



### Loosening the unit

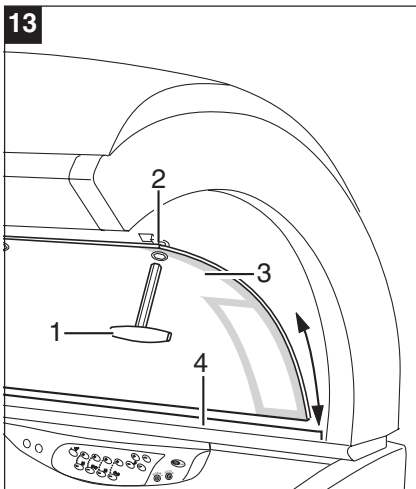
1. Turn the bolt (12/1) at the back of the rail (12/3) and push the rail towards the center of the unit.
2. Remove the side tanner acrylic panel (12/2) and bed panel (12/7) together with the rail (12/3).
3. If you wish to separate the bed panel (12/7) from the rail, unscrew the three bolts 4 x 10 (12/5), which are screwed in from below.  
**The side tanner acrylic panel cannot be detached from the rail.**

### Installing the Acrylic Panels

1. Lay the corrugated bed panel (12/6) on the bed so that the adjusting bolts (12/4) fit in the recesses.
2. If you have detached the bed panel (12/7) from the rail, secure the bed panel by screwing in the three bolts (12/5).
3. Take the entire unit (bed panel, side tanner acrylic panel, rail) and fit it on the main tanning unit.
4. Guide the pins of the bolts (12/1) into the drill holes of the bed frame on both sides.
5. Lock the pins by pushing the bolts (12/1) towards the front part and tightening them.
6. Tilt the bed panel upwards and secure the gas pressure springs (11/5) on both sides to the bed panel (11/1) at the top fixing point (11/2).
7. Lift up the corrugated bed panel and hook the panel into the retaining cables (11/3).
8. Hold the bed panel (10/1) along the front long side and lower it onto the bed.
9. Turn both bolts (10/2) using the Allan key so that the bed panel is secured firmly in place.

### Installing the Side Tanner Acrylic Panel

1. Lift up the control panel (9/5).  
**The control panel locks in position.**
2. Lift the acrylic panel towards the side tanner until it touches.
3. Turn the 3 bolts (9/2) to the right using the Allan key (9/1).
6. Fold down the control panel (9/5).  
**The control panel locks in place.**



### 6.1.2 Canopy Acrylic Panel

#### Removing the Acrylic Panel

1. Take the Allan key (13/1).
2. Turn the 3 hexagon socket bolts (13/2) using the Allan key (13/1).
3. Tilt the acrylic panel (13/3) forwards.
4. Lift the acrylic panel (13/3) out of the longitudinal groove (13/4).

#### Fitting the Acrylic Panel

1. Slide the acrylic panel into the longitudinal groove (13/4) according to the screen-printing.  
XTT unit: the polished GB area of the acrylic panel is above the high-pressure lamp cassettes.
2. Tilt the acrylic panel (13/3) towards the canopy until it touches.
3. Turn back the 3 bolts (13/2) of the acrylic panel using the Allan key so that the acrylic panel is secured in place.

### 6.2 Servicing the High-Pressure Lamps

The high-pressure lamps in the canopy are fitted with a special filter glass configuration.

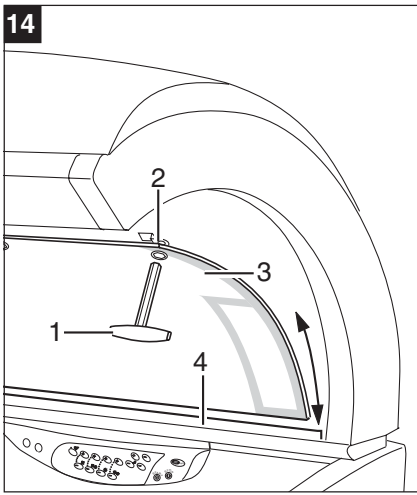
#### XTT Unit

An XTT filter disk and a transparent filter disk are installed in front of the three high-pressure lamps in the canopy.



Warning

**The high-pressure lamps must only be used with the appropriate filter disk configuration for the particular unit you are using. The unit must not be operated if the disks are damaged or missing. Danger of burning! Danger of blinding! If the face tanner is switched on again straight away, depending on the model type, it will either not ignite immediately or will not produce full power as it requires a 4-minute cooling off phase. When replacing the high-pressure lamps, please contact the unit manufacturer or your specialist dealer. No liability is assumed if lamps other than new original lamps are installed.**



## CAYENNE XTT BREAKSAFE

The transparent filter disks over the high-pressure lamps in the canopy are protected by a BREAKSAFE device. If one of the transparent filter disks breaks, the power supply is interrupted and the unit can only be restarted when the filter disk has been replaced with a new one. The XTT filter disks above the three high-pressure lamps must be visually inspected.

### 6.2.1 Exchanging the High-Pressure Lamps in the Canopy



#### Warning!

Hold the high-pressure lamp by the rectangular base only.  
Never pull the high-pressure lamp by the glass bulb.

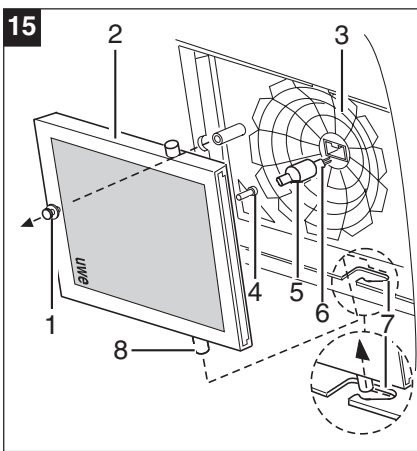
Warning

Never touch the glass bulb of the high-pressure lamp with your fingers.

If you touch the glass bulb by accident, wipe off the fingerprints with a clean cloth soaked in alcohol.

#### Removing the Acrylic Panel

1. Take the Allan key (14/1) provided.
2. Using the Allan key (14/1), turn the three hexagon bolts (14/2).
3. Tilt the acrylic panel forwards onto the long side.
4. Lift the acrylic panel out of the longitudinal groove (14/4).



#### Removing the High-Pressure Lamp

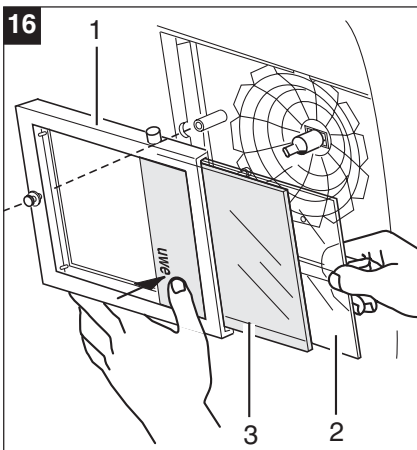
1. Pull the Tenax lock (15/1) of the appropriate lamp housing downwards.  
**Warning! The disk holder can be lowered around 15 degrees.**
2. Hold the disk holder (15/2) with both hands and lift the disk holder a little towards the canopy.  
**The bolt (15/8) slides out of the fixing point (15/7) on both sides.**
3. Pull off the disk holder from the front using both hands.
4. Hold the high-pressure lamp (15/5) by the rectangular base (15/6) and press it out of the socket.

#### Cleaning the Reflector

1. Clean the reflector (15/3) with a clean cloth soaked in alcohol.

#### Fitting the High-Pressure Lamp

1. Hold the new high-pressure lamp by the base (15/6).
2. Insert the lamp (15/5) into the holder.



#### Removing the Filter Disks

1. Take the disk holder (16/1).
2. Hold the disk holder with both hands. Use both thumbs to lift the filter disk over the relevant adjustment mechanism (rivet or angle bracket) and pull out the XTT filter disk (16/3) and transparent filter disk (16/2).

#### Cleaning the Filter Disks

1. Clean the filter disks with warm water. The water may contain a little detergent.
2. Dry the filter disks with a clean cloth.

#### Installing the Filter Disks

**The canopy must not be used without the filter disks!**

**The coated side of the XTT filter disk must face the lamp.**

**It must be possible to read the uwe logo on the XTT filter disk from the bed.**

#### Warning!

**When installing the filter disks:**

**Install the transparent filter disk nearest the lamp and install the XTT filter disk nearest the user.**

1. Install the two filter disks in the disk holder as shown in Fig. 16.
2. Push the filter disks over the relevant adjustment mechanism (rivet or angle bracket).  
**The filter disks clip into place.**
3. Hook the complete disk holder (15/2) with cleaned filter disks into the lamp housing.
4. Move the disk holder towards the canopy until it touches the canopy.



**The bolt of the micro switch (15/4) for the BREAKSAFE fuse is pressed back.**

#### Function

5. Press the Tenax lock (15/1).  
**The disk holder locks in place in the lamp housing.**

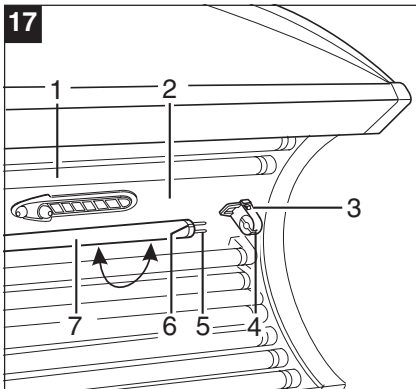
### Fitting the Acrylic Glass Panel

1. Position the acrylic panel (14/3) in the longitudinal groove (14/4) according to the screen printing.
2. Turn back the three bolts of the acrylic panel using the Allan key so that the acrylic panel is secured firmly in position.

### 6.3 Exchanging the Lamps

#### Burning-in the Lamps

The lamps differ slightly in color to begin with. These differences in color disappear after a short time. The lamps are darker at the ends. This is a physical property and not a fault with the lamp.



#### 6.3.1 Exchanging the Long Sunlamp

##### Exchanging the Lamp

1. Remove the appropriate acrylic panel (see Section 6.1).
2. Turn the sunlamp (17/7) in either direction until the contact pins (17/5) can be seen in the groove (17/4) of the lamp holder.
3. Remove the lamp.
4. Clean the reflector (17/2) with a cloth soaked in alcohol.
5. Hold the new sunlamp horizontally so that the contact pins (17/5) are vertically above one another.
6. Press the sunlamp into the lamp holder in this position. Turn the sunlamp 90 degrees so that the notch (17/6) in the metal ring at the end of the lamp is at the top.

**If using a reflector lamp, the lighter reflector side of the lamp must face the unit and the stamp of the lamp must face the user.**

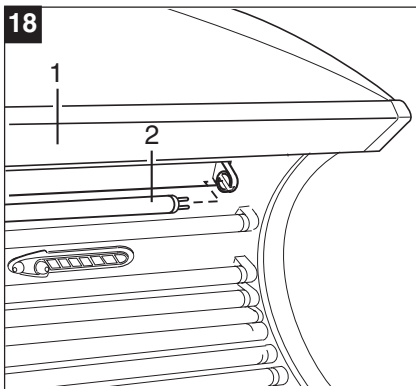
7. Fit the appropriate acrylic panel.

#### 6.3.2 Exchanging the Illumination Lamps

An illumination lamp installed both behind the front canopy bracket and below the front edge of the bed.

##### • Canopy Illumination Lamps (Standby Light)

The illumination lamps (18/2, 19/7) remain on for as long as the unit is connected to the mains power.



##### Removing the Acrylic Panel

1. Take the Allan key (14/1).
2. Turn the three hexagon socket bolts (14/2) using the Allan key.
3. Tilt the acrylic panel (14/3) forwards.
4. Lift the acrylic panel out of the rear longitudinal groove (14/4).

##### Exchanging the Lamp

1. Remove the sunlamp behind the front bracket (18/1).  
**The illumination lamp (18/2) is installed below the sun lamps up to the nozzle.**
2. Exchange the illumination lamp (see Section 6.3.1).
3. Fit the sunlamps.

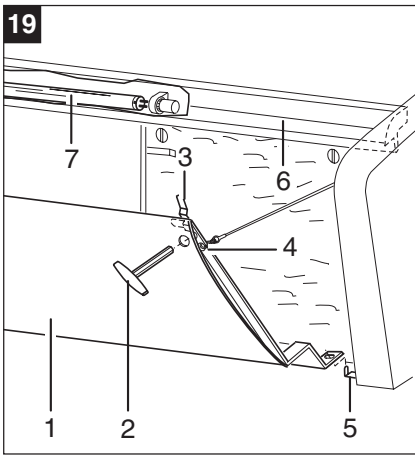
##### Fitting the Acrylic Panel

1. Slide the acrylic panel into the longitudinal groove (14/4) according to the screen printing.  
XTT unit: the polished area of the acrylic panel should be above the high-pressure lamp cassettes.
2. Tilt the acrylic panel (14/3) towards the canopy until it touches.
3. Turn the three bolts (14/2) of the acrylic panel with the Allan key so that the acrylic panel is secured firmly in position.

##### • Bed Illumination Lamp (FLOORLIGHT)

##### Lifting the Bed Panel

1. Take the Allan key provided.
2. Using the Allan key, turn the bolt of the bed panel.
3. Do the same with the second bolt.
4. Hold the bed panel at the front long side and lift the bed panel all the way up.



### Removing large covering panel in front of the base.

1. Take the Allan key (19/2).
2. Use the Allan key to turn both hexagon bolts (19/3) of the large covering panel towards the center of the unit.
3. Move the covering panel (19/1) slightly forwards.
4. Detach both carbinas (19/4) from the covering panel.
5. Lift the covering panel over both pins (19/5) of the base and carefully place it on the ground.

### Exchanging the Lamp

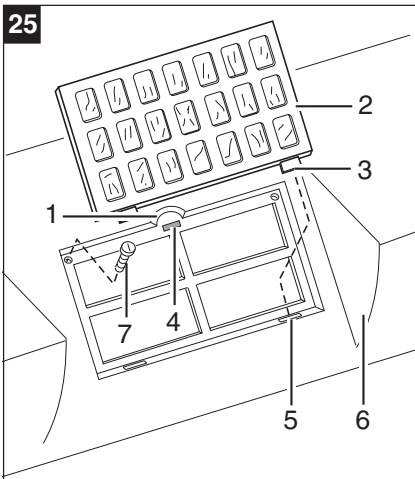
1. Look under the front edge of the bed panel (19/6). This is where the illumination lamp (19/7) is installed.
2. Exchange the illumination lamp (see Section 6.3.1).

### Fitting the Large Covering Panel in Front of the Base

1. Install the covering panel (19/1) with the pins (19/5) of the base in the elongated holes.
2. Tilt the covering panel towards the base.
3. Hook both carbinas (19/4) into the covering panel.
4. Move the large covering panel towards the base until it touches the base.
5. Use the Allan key (19/2) to turn the two hexagon bolts (19/3) towards the sides of the base.

### Lowering the Acrylic Panel

1. Hold the front long side of the bed panel and push it down onto the bed.
2. Turn back both bolts using the Allan key so that the bed panel is secured in place.



### 6.3.3 Canopy Effect Light

#### Removing the Small Canopy Covering Panel

1. Hold the recessed grip (20/1) above the small covering panel (20/2) and lift away the small covering panel. **The magnetic connection (20/4) is released.**
2. Guide the tabs (20/3) of the small covering panel (20/2) out of the recesses (20/5) of the large covering panel (20/6).
3. Remove the small covering panel (20/2) from the top.
4. Unscrew the two bolts (20/7).

#### Lifting the Large Canopy Covering Panel

1. Remove the large covering panel in front of the base.
2. Press down the canopy and secure it in the lowest position using the retaining strap (21/5) (important).
3. Attach the sucker (21/3) to the covering panel (21/1).
4. Tilt the panel upwards until the long side slides out of the front longitudinal beam (21/4).
5. Secure the covering panel in its open position using the retaining clip (21/2).

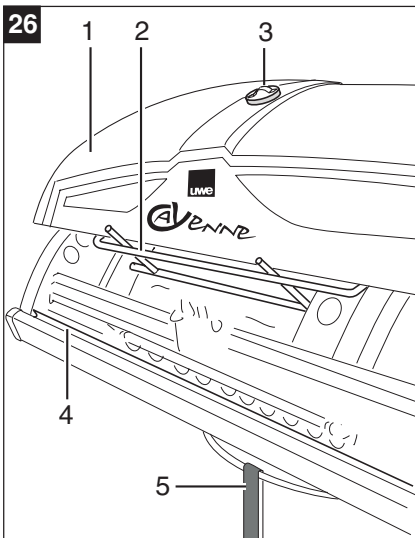
#### Exchanging the Effect Light

Seven effect light lamps (22/5) are installed above the front longitudinal beam of the canopy.

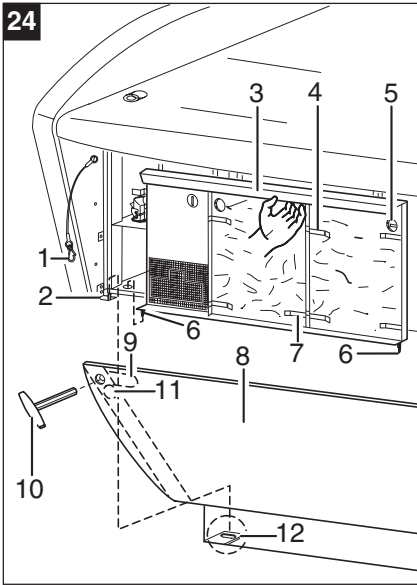
1. Exchange the effect light lamp (22/5) (see Section 6.3.1).
2. Move the retaining clip to its rest position.
3. Lower the large covering panel and guide the long edge into the front longitudinal beam of the canopy (21/4).
4. Screw in both bolts (20/7).

#### Installing the Small Canopy Covering Panel

1. Guide the tabs (20/3) of the small covering panel into the recesses (20/5) of the large covering panel (20/6).
2. Lower the small covering panel (20/2) onto the large covering panel. **The magnetic connection (20/4) engages.**







### Fitting the Large Covering Panel in Front of the Base

1. Install the covering panel (24/8) with the pins (24/2) of the base in the lower elongated holes (24/12).
2. Tilt the covering panel towards the base.
3. Hook both carbiners (24/1) into the covering panel.
4. Move the large covering panel towards the base until it touches the base.
5. Use the Allan key (24/10) to turn the two hexagon bolts (24/9) towards the sides of the base.

### Lowering the Bed Panel

1. Hold the front long side of the bed panel and lower it down onto the bed.
2. Turn back both bolts using the Allan key so that the bed panel is secured in place.

### 6.4.2 Filter Mats in the Canopy

#### Removing the Small Canopy Covering Panel

1. Hold the recessed grip (25/1) above the small covering panel (25//4) and lift away the small covering panel.  
**The magnetic connection (25/6) is released.**
2. Guide the tabs (25/5) of the small covering panel (25//4) out of the recesses (25/7) of the large covering panel (25/8).
3. Remove the small covering panel from the top.

#### Exchanging the Filter Mats

1. Lift the springs (25/3) and pull out the filter mat (25/3).
2. Take the new filter mat and clamp it securely in place under the springs (25/3).

#### Installing the Small Canopy Covering Panel

1. Guide the tabs (25/5) of the small covering panel (25/4) into the recesses (25/7) of the large covering panel.
2. Lower the small covering panel onto the large covering panel.  
**The magnetic connection (25/6) engages.**

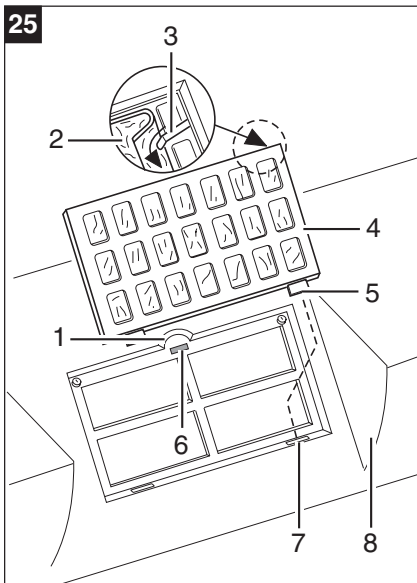
### 6.5 Stay in the Support Arms

The canopy cannot be lowered again if the stay is activated.



**Please contact the Customer Service Department if this happens.**

Warning



### 6.6 Replacing the BREEZE Canister



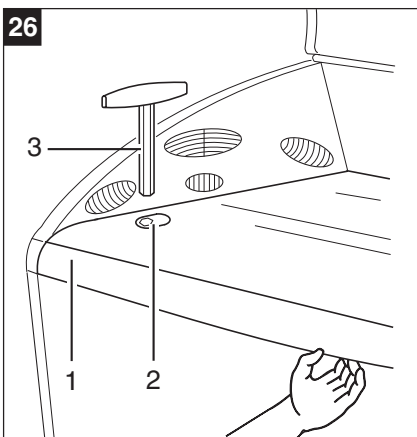
**Unplug the unit from the power supply before exchange of canister.**

Warning

**For health reasons never use normal tap water or ordinary distilled water. Only use the water in the original canister supplied by the dealer which has been distilled three times and is germ-free.**

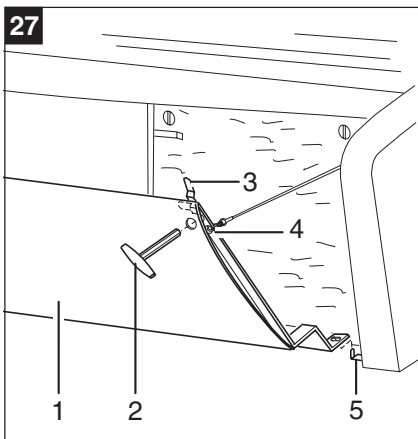
#### Opening up bed panel

1. Take the Allen key provided.
2. Unscrew the bolt (30/2) of the bed panel with the key.
3. Repeat for the second bolt.
4. Hold on to the bed panel at the front long side and open up the bed panel as far as it will go.  
The gas pressure spring will keep the bed top in the open position.



#### Removing the large cover in front of the base

1. Take the Allen key (27/2).
2. Unscrew the two hexagonal socket bolts (27/3) of the large cover with the Allen key towards the equipment center.
3. Open up the cover (27/1) a little to the front.
4. Disconnect both connectors (27/4) from the cover.
5. Lift the cover up over the two location pins (27/5) of the base and place it carefully on the ground.

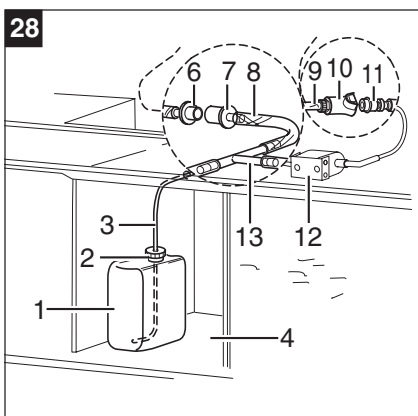


### Replacing the water canister

1. Pull the silicone tube (28/3) from the empty canister (28/1).
2. Unscrew the closed cover from the full canister and screw on the cap (28/2) with the hole and nozzle of the empty canister.
3. Insert the tube (28/3) into the nozzle and push it until it touches the bottom.
4. Place the canister into the space (28/4) in the base.

### Removing the large cover in front of the base

1. Insert the cover (27/1) with the bottom slots into the location pins (27/5) of the base.
2. Tilt the cover a little towards the base.
3. Attach both connectors (27/4) to the cover.
4. Swing the cover at the bottom towards the base until it fits closely.
5. Screw in the two hexagon socket bolts (27/3) using the Allen key (27/2) towards the side of the base.



### Closing down bed panel

1. Hold on to the bed panel (26/1) at the front long side and put it onto the bed.
2. Turn both bolts (26/2) with the Allen key until the bed plate is secured firmly in place.

### Reset number of sprayings to 0.



**Attention! Reset number of sprayings to 0 in the program menu!  
Attention! The air must be bled out of the BREEZE system!**

#### Warning

1. Enter program menu PrP4.
2. Press the STOP button in the program menu PrP4 and then press START and STOP button simultaneously for 4 seconds.
3. The number of sprayings is set to 0.
4. Go into Program Menu PrP5 to bleed the air from the system.
5. In position PrP5 (Bleed BREEZE) press the STOP button for max. 1 minute until the spray nozzle shows a light spraying cone.
6. Disconnect equipment within 5 minutes to save and activate the modified parameters again.

**Wait 1 minute before reactivating the pump of the BREEZE system.**

See also Sec. 5.1 and the operating diagram page 13.

### 7 TIPS FOR RECTIFYING SMALLER FAULTS



#### Warning

**Always unplug the unit before you begin servicing and repair work. Repairs must only be carried out by PC Marketing or authorized persons.**

**Safety features must not be disassembled or put out of operation. The unit must be tested to DIN VDE 0701 and a report written (with carbon copy) after all repair work has been completed. The operator must keep a copy of the report and send a copy to the Customer Service Department.**

#### • Dark spots at the ends of the lamps

Dark spots, which appear at the ends of the lamps when they are switched off, have no detrimental effect on the performance of the unit. Exchange the starter as a precautionary measure.

#### • One or several lamps not lit (change starter)

##### Changing the Starter

1. Remove the appropriate acrylic panel.
2. Check if the lamp is inserted correctly.
3. Check the starter is inserted correctly.
4. Remove the starter of the lamp (see Table 2) that does not light by turning it counterclockwise and then reinsert by turning clockwise.
5. If the lamp still does not light up, try inserting the starter of an intact lamp.
6. If this does not work, you must check the lamp.
7. Insert the lamp which does not light into a lamp holder where another lamp functions properly. If the lamp does not light, the lamp is faulty and must be exchanged. If it does light up, however, there is an electrical fault with the unit.

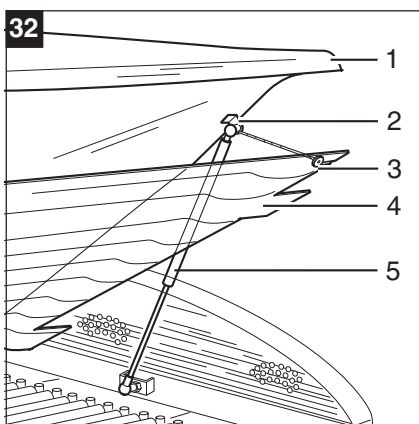
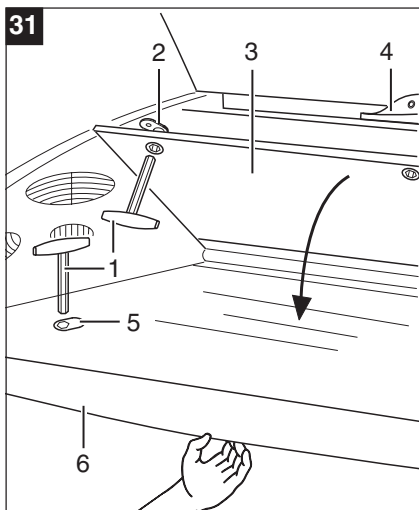
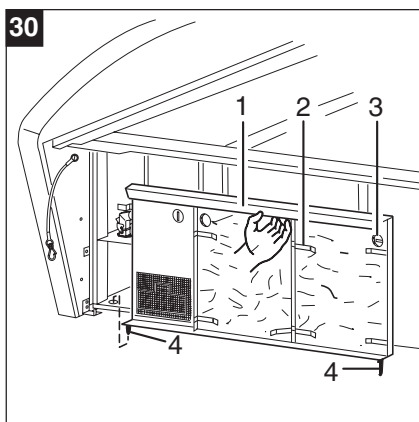
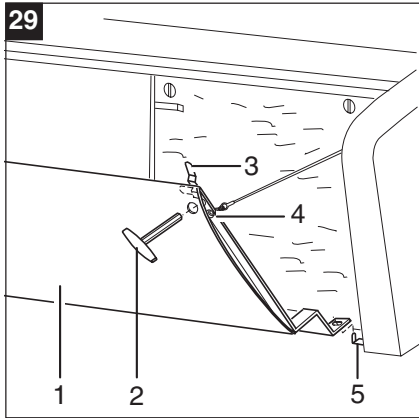


#### Function

**Inspection by PC Marketing or an inspection center named by PC Marketing.**

	Starter position	Action
Canopy	At lamp holder	Remove acrylic panel
Side tanner	At lamp holder	Remove acrylic panel
Bed illumination lamp	At head-end lamp holder At lamp holder	Remove acrylic panel

Table 2



• **The tanning canopy or tanning bed becomes too hot**

1. Check if the air filters (filter mats) are blocked.
2. With direct air return, ensure that the warmed cooling air is carried away properly. The air must not be trapped in the hose or ventilation duct since this can cause the unit to overheat. The outgoing air hose must be laid without kinks.

**Information about effective ventilation and air conditioning can be found in the "AIR CONDITIONING TIPS" catalogue available either from us or your specialist dealer.**



**Inspection by PC Marketing or an inspection center named by PC Marketing.**

Function

## 8 DISPOSAL

### Lamps

Fluorescent lamps, high-pressure lamps, and illumination lamps are hazardous waste. They cannot be disposed of with other domestic waste. Local authorities provide information on the disposal of these lamps.

### Unit

Faulty units should be disposed of according to local regulations.

## INFORMATION FOR THE ENGINEER AND DEALER SPECIALIST

### 9 INSTALLATION OF THE PROFI UNIT

The unit may only be set up by PC Marketing personnel or authorized persons. At least two people are required to set up the unit. The rooms for setting up and operating the unit must be well ventilated or there is a danger of the unit overheating.

#### 9.1 Place of Installation and State on Delivery

The unit is transported and delivered pre-assembled on a pallet. The unit is firmly secured on the pallet with straps and wrapped in protective wrap. The pallet must be unloaded on-site using a hydraulic ramp or fork-lift truck. The unit must be dismantled on the pallet and then transferred to and reassembled at the installation site. All units are intended solely for tanning indoors. The unit must only be operated in areas free from the danger of explosions and in dry rooms. The rooms must be well-ventilated.

#### 9.2 Assembly and Installation

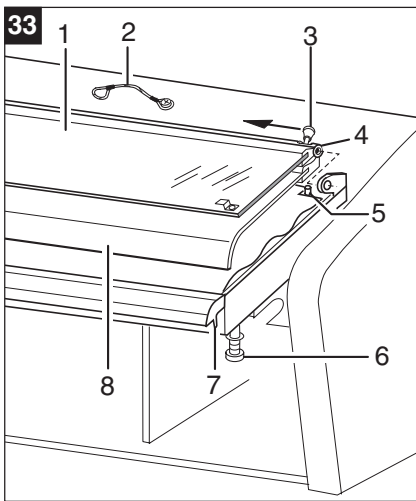
1. Remove the straps and packaging wrap.

##### 9.2.1 Removing the Bed

#### Removing the Bed Panel /Side Tanner Acrylic Panel

##### Bed Panel

1. Push up the canopy and remove the head cushioning and other individual removable parts.
2. Take the Allan key (31/1) provided.
3. Using the Allan key, turn the bolt (31/5) of the bed panel (31/6).
4. Do the same with the second bolt.
4. Hold the bed panel (32/1) at the front long side and lift the bed panel all the way up. The gas pressure spring (32/5) holds the bed panel and the corrugated acrylic panel (32/4) below it in this open position.
5. Detach the corrugated bed panel (32/4) from the retaining cables (32/3). The corrugated acrylic panel is now free on the bed and can be removed if necessary to reduce the weight of the unit.
6. **Loosen both gas pressure springs at the top fixing point (32/2). Both gas pressure springs must be loosened otherwise the bed panel is under tension.**
7. Place the bed panel on the bed.



### Side Tanner Acrylic Panel

1. Lift the interior control panel (31/4).  
**The control panel locks in position.**
2. Turn the 3 bolts (31/2) to the left using the Allan key (31/1).  
**Warning! The control panel is lowered. Carefully place on the bed.**

### Detaching the unit

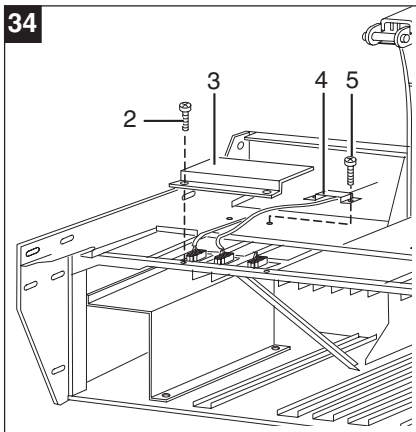
1. Turn the bolts (33/3) on the back of the rail (33/4) and push the bolts towards the center of the unit.
2. Remove the complete unit with the side tanner acrylic panel (33/1), bed panel (33/8) and rail (33/4).

### Removing large covering panel in front of the base.

1. Take the Allan key (29/2).
2. Use the Allan key (32/2) to turn both hexagon bolts (29/3) of the large covering panel (29/1) towards the center of the unit.
3. Lower the covering panel (29/1) forwards slightly.
4. Detach both carbiners (29/4) from the covering panel.
5. Lift the covering panel over both pins (29/5) of the base and carefully carry it to the place of installation.

### Removing both Filter Frames

1. Turn the slots of the bolts (30/3) so that they are horizontal.
2. Hold the filter frame by the handle (30/1).
3. Lift the filter frame with its pilot pins (30/4) out of the drilled holes
4. Place the filter frame with its pilot pins on the floor.
5. Guide the filter frame downwards and out.
6. Remove the second filter frame in the same way.
7. Take both filter frames to the installation site.



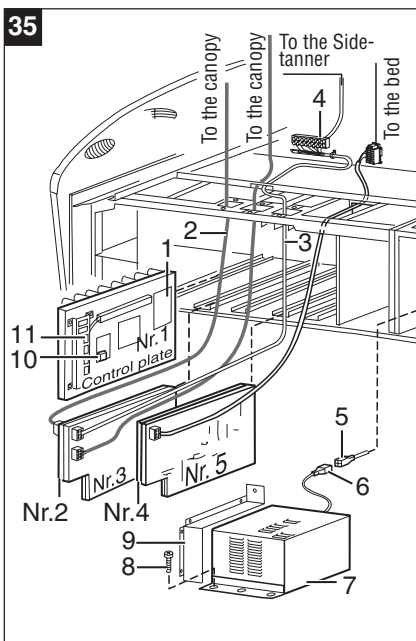
### Pull out the Bed



#### Warning:

The side tanner acrylic panel must be released and folded down onto the bed panel or disassembled as a unit before you pull out the bed.

1. Unscrew the two bolts 6 x 16 (33/6) slightly on the underside of the bed.
2. Pull out the bed as far as it will go using the front shaped edge of the bed panel (33/7).  
**Warning! Do not pull on the illumination lamp (FLOORLIGHT) by mistake.**
3. Loosen the retaining cord (33/2) on one side on the back of the bed.  
**Check that the plug connection X9 between the bed and the bed board (No. 5) is unplugged.**
4. Pull out the bed further and lift up the bed with the help of a second person.
5. Carry the bed to the installation site.



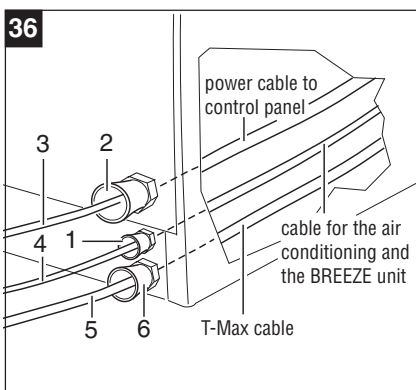
### 9.2.2 Dismantling the Boards and Air Conditioning Unit

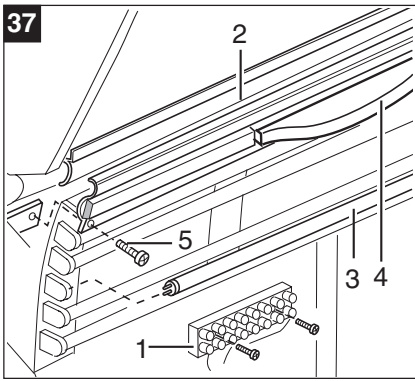
#### Disconnecting the plug connections

1. Remove the bracket (34/3) and the fixing device (34/4) which holds the cables.
2. Pull the three plugs of the three canopy cables (35/2) (for model CPS four canopy cables) out of the sockets attached to the mounting board.
3. Pull the plug (35/3) of the side tanner out of the socket on the mounting board.
4. Pull the plugs (35/10) out of the sockets (35/11) attached to the control board.
5. Disconnect all other plug-in connections between the unit and the mounting boards (see Table 3, Sec. 9.3.5).

#### Dismantling the mounting boards and air conditioner

1. Remove the screws (35/8) in the supporting bracket and the cover sheet (35/9) left of the air conditioning unit.
2. Pull the air conditioning unit (35/7) and the supporting bracket out a little bit.
3. Detach the 3-pin connector coupling (35/6) of the air conditioning unit from the connector coupling (35/5) coming from the clamp at the right side of the base.
4. Carry the air conditioning unit to the installation site.
5. Pull the 4 mounting boards (Figure 35, No. 2-5) a little out of the guide rails.
6. Disconnect all plug connections from the mounting boards.
7. Pull out the mounting boards completely and carry them to the installation site.
8. Check if the plug connections on the control board are detached and pull out the control board (35/1).

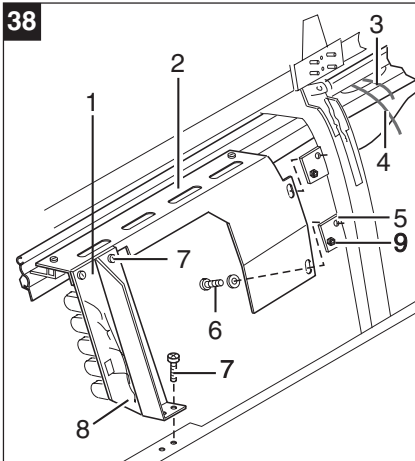




### 9.2.3 Removing the Side Tanner

#### Removing the Side Tanner

1. Remove the lamps (37/3) of the side tanner.
2. Detach the clamp (37/1) mounted on the left-hand side of the back of the base casing by unscrewing the two bolts.
3. Detach the lamp holder carriers (37/1, 39/5) on both sides by unscrewing the bolts (38/7, 39/6).
4. Place both lamp holder carriers (38/1, 39/5) on the base with the cable on the inside.
5. Unscrew the countersunk bolts (37/5) on both sides that are screwed through the channel of the side tanner in the side base cover panels.
6. Unscrew the 2 bolts (38/6, 39/1) 8 x 15 with washers on each side from the inside of the unit that secure the holders (38/2, 39/3) in the brackets of the moving mechanism.  
You do not need to remove the threaded pin bolts also screwed into these brackets from the back. These bolts are only required for adjustment during assembly.
7. Carefully guide out the channel (39/4) with the interior control panel and cable (38/3, 38/4) and holders (38/2, 39/3) between the side parts and carry this unit to the installation site.



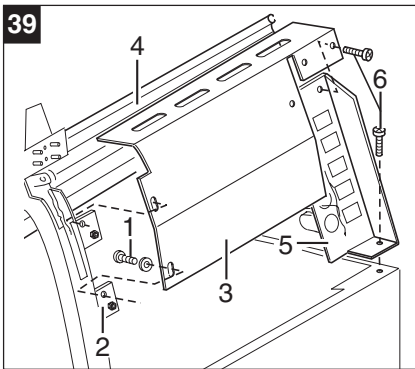
### 9.2.4 Removing the Outgoing Air Unit

#### Loosening the Expansion Bellows

1. Loosen the spring clips (40/2) secured to the lower side of the expansion bellows.
2. Push the expansion bellows upwards.

#### Removing the Air Duct

1. Loosen the 3 accessible bolts (40/3).
2. Remove the air duct (40/4).

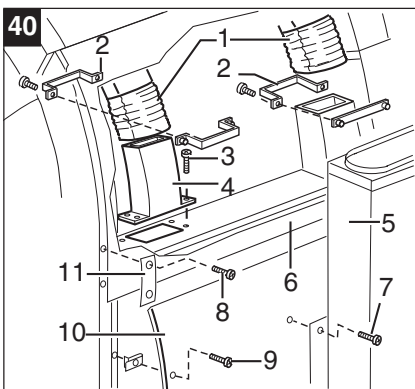


#### Removing the Outgoing Air Duct

1. Unscrew the bolts (40/7) from the outgoing air duct.
2. Carry the outgoing air duct (40/5) to the installation site.

#### Remove the cover plate and guide plates at the rear of the unit

1. Unscrew the bolts (40/8).
2. Carry the cover plate (40/10) to the installation site.
3. Remove the two guide plates (40/11) for the louvre.

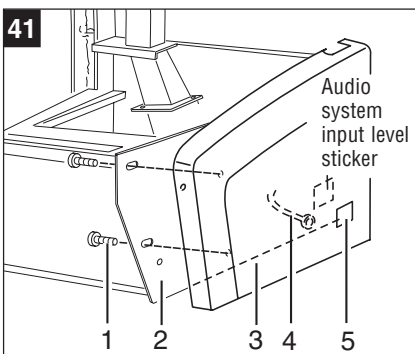


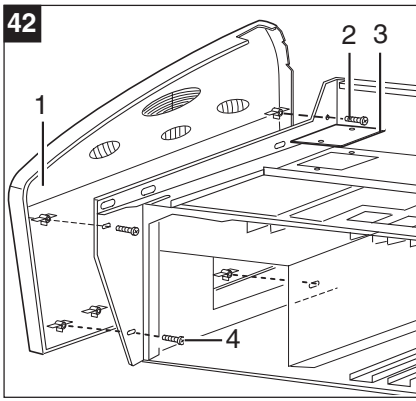
### 9.2.5 Removing the Casing

All the plastic casing parts of the base are fastened to the base by metric bolts 6 x 20.

#### Removing the Base Casing

1. Unscrew the 6 bolts (41/1) from the base and remove the complete side section (41/3).
2. Leave the speaker cables (41/4) attached to the side casing and pull the cable through with the side casing.
3. Remove the covering panel (41/3) at the foot-end of the unit.
4. Reach through the opening and unscrew the 8 bolts (41/2, 41/4) from the base and remove the left side section (42/1) completely.





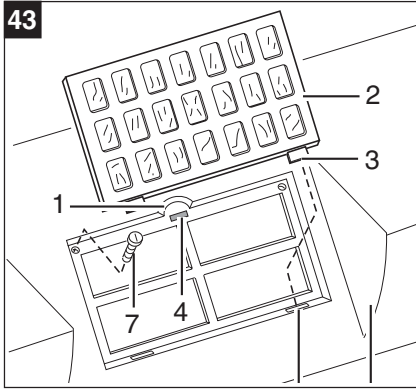
## 9.2.6 Removing the Canopy

### Removing the Small Canopy Covering Panel

1. Hold the recessed grip (43/1) above the small covering panel and lift away the small covering panel.  
**The magnetic connection (43/4) is released.**
2. Guide the tabs (43/3) of the small covering panel (43/2) out of the recesses (43/5) of the large covering panel (43/6).
3. Remove the small covering panel from the top.
4. Unscrew the bolts (43/5).

### Lifting the Large Canopy Covering Panel

1. Attach the sucker (44/3) to the covering panel (44/1).
2. Lift the covering panel upwards until the long side slides out of the front longitudinal beam of the canopy (44/4).
3. Remove the covering panel.
4. Remove the louvre (40/6) together with its mounting rail (6 bolts).



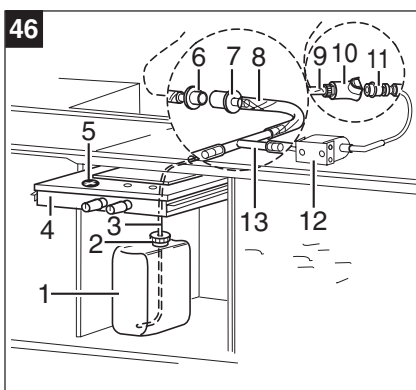
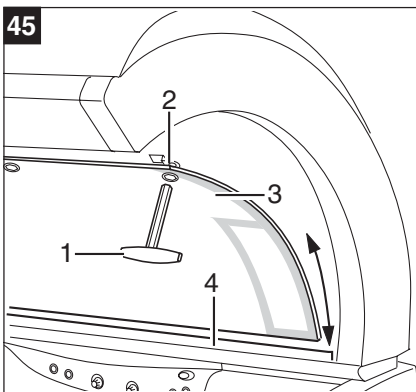
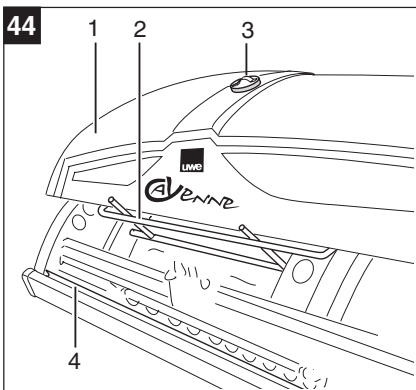
### Removing the Acrylic Panel

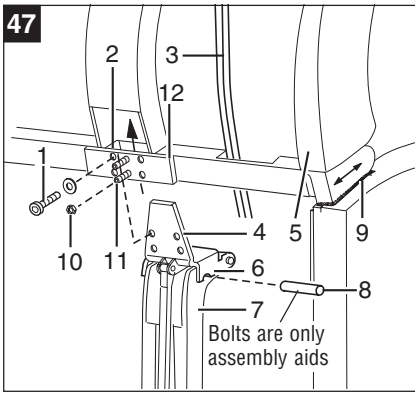
1. Take the Allan key.
2. Turn the three hexagon socket bolts (45/2) using the Allan key (45/1).
3. Tilt the acrylic panel forwards.
4. Lift the acrylic panel out of the rear longitudinal groove (45/4).

### Disconnecting the BREEZE Lines (if BREEZE module is installed)

The BREEZE unit in the base is connected to the pump in the canopy by a black PA line (49/9) and to the nozzle in the canopy by a light silicone line (46/8).

1. Press the silver-colored slider of the coupler (46/10).
2. Pull out the connector (46/11).
3. Pull apart the two parts (46/6, 46/7) of the hose connection.





## Removing the Canopy

Some tips for easier canopy removal:

1. Press down the canopy.
2. Push a 7 mm diameter pin (47/8, ID No. 260 551) through the slot in the mechanism (47/6) on each retaining bracket.



The 2 pins are assembly aids only and must be removed once the canopy is assembled.

Function

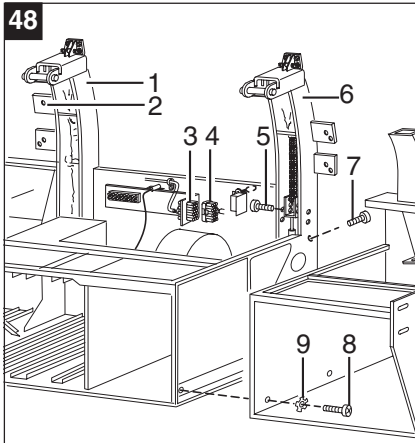
### Next steps

3. Remove the nuts (47/10) on both sides and unscrew the threaded pin (47/11) until the tip no longer protrudes over the inner side of the bracket (47/12).
4. Unscrew the 8 pan head bolts 8 x 20 (47/1) and washers.
5. Lift up the canopy over the retaining brackets (47/7).
6. Take the canopy to the installation site.



Take care not to damage the aluminum panel (37/2) when placing the canopy on the floor.

Function



## 9.2.7 Removing the Base

### Separating the Base Sections

The base housing consists of 2 sections, which are held together by bolts.

1. Separate the plug connection (48/3, 51/4) between the right and left sections of the base.
2. Remove the 6 bolts 6.3 x 16 (48/8) with their lock washers (48/9).
3. Carry the 2 base sections to the place of installation.

### Removing the Retaining Brackets

(if necessary due to the shape of the building)

1. Remove the bolts (48/5, 48/7) that are screwed into the retaining arms at the side and rear.
2. Remove the retaining brackets by lifting upwards.

## 9.2.8 Installing the Outgoing Air Duct

### Installing the Outgoing Air Duct

1. Install the outgoing air duct (40/5) in the center and at the back of the tanning room.

## 9.2.9 Fitting the Base

### Fitting the Base

1. Arrange both parts of the base in the tanning room as shown in Figure 51.
2. Connect the parts of the base using the 6 bolts 6.3 x 16 (48/8) and lock washers (48/9).
3. Connect the plug connection (48/3, 48/4) between the right and left parts of the base.

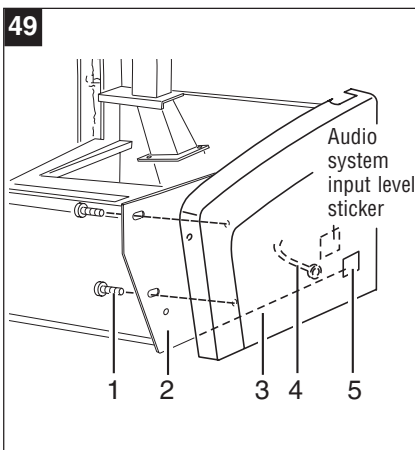
### Fitting the Retaining Brackets (if removed previously)

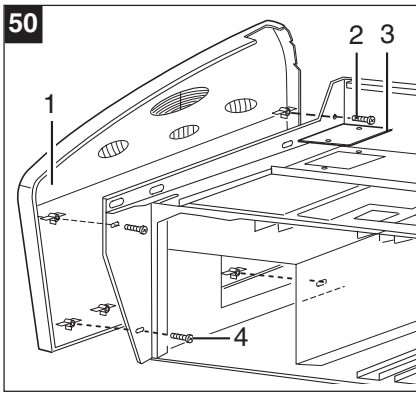
1. Guide the retaining brackets (48/1, 48/6) from above into the appropriate slots of the base.  
The retaining brackets (48/2) for the side tanner should face outwards.
2. Secure the retaining brackets from behind using 3 bolts M 10 x 16 (48/7) and from the side using 4 bolts M 10 x 10 (48/5).



Ensure that you screw in the short bolts from the side so that the movement of the mechanism is not limited

Warning





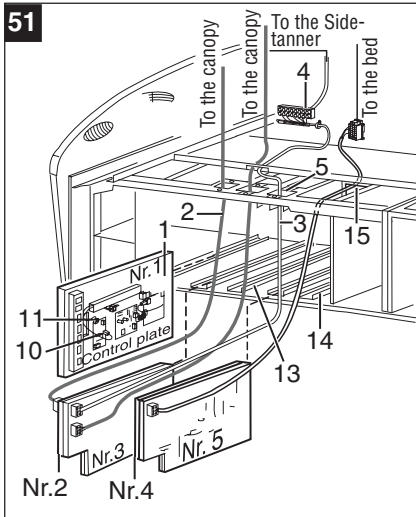
### 9.3 Fitting the Casing



The plastic casing sections around the base are secured by metric bolts 6 x 20 which are screwed in from inside the base. Ensure that you insert the bolts vertically and screw them in vertically.

Function

1. Pull the 5-pin white speaker cable (49/4) in through the grommet of the right base casing wall and pull the connector through to the right slot (51/14).
2. Position the head-end side section (49/3) flush with the base and screw in the six bolts (49/1) from inside the base.
3. Position the foot-end side section (50/1) flush with the base and screw in the 8 bolts (50/4) from inside the base or through the slot of the covering panel.
4. Fit the covering panel (50/3).



#### 9.3.1 Assembling the Mounting boards and Air Conditioning unit

##### Inserting the boards

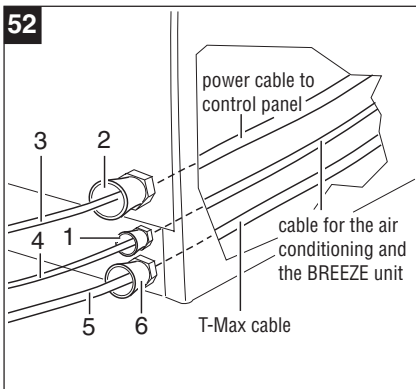
The control board (51/1) has components on both sides.

1. Insert the control board into the left-hand guide rail. The capacitors show to the left.
2. Pull the power cable (53/3) through the large pressure screw (53/2) to the control board at the inside. The unit is not delivered with a power cable. The power cable must be provided by a licensed electrician.

**The equipment must be connected up by a qualified electrician in accordance with the valid DIN-VDE and UVV regulations or the adequate national norm (see Sec. 9.5).**

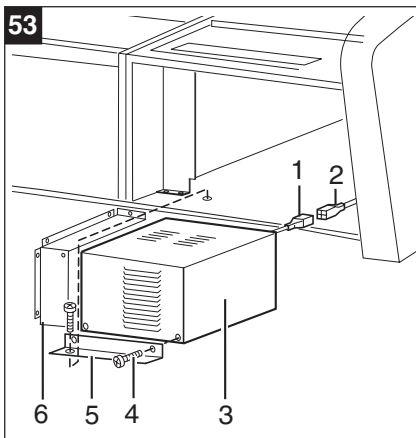
3. Tighten the clip of the pressure screw (53/2).
4. Feed the mains cable (53/4) for the air conditioning unit and the BREEZE unit through the pressure screw (53/1) on the right back side of the base inside to the control board and connect it according to the wiring diagram.
5. By using an external coin box, check if the T-Max cable (53/5) is threaded through the small pressure screw (53/6), that the clamp of the pressure screw is tightened and that the plug of the T-Max cable is plugged in the socket of the control board.
6. Insert the boards numbered 2-5 into the appropriate guide rails (Figure 51) according to the numbering from left to right.

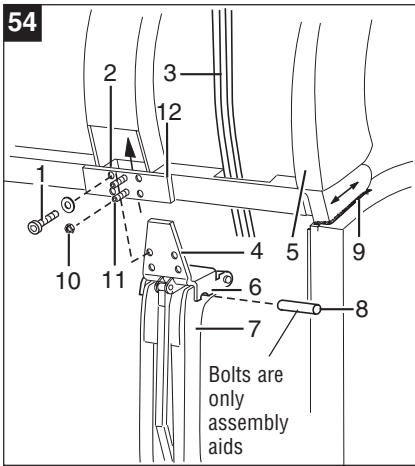
**The slots of the boards 2-5 always point to the front and downwards. The guide rail (51/13) in the center and the guide rail at the right (51/14) remain empty.**



##### Inserting the Air Conditioning Unit (if available as an accessory)

1. Connect the 3-pin coupling (53/1) of the air-conditioning unit (53/3) to the coupling (53/2) from the clamp in the right hand part of the base.
2. Push the air-conditioning unit all the way back into the recess and to the right until it touches the rubber seal of the black covering panel.
3. Adjust the position of the air conditioning unit with the sealing plate (53/6) and mounting bracket (53/5).





### 9.3.2 Assembly of Canopy

#### Fitting the canopy

1. Lift up the canopy.
2. Hold the canopy above the retaining brackets (54/7).
3. Insert the lugs (54/4) of the retaining brackets into the holes (54/2) in the canopy.



**Take care not to damage the aluminium rail (61/2) when fitting!**

Function

4. Screw in the four screws 8 x 20 (54/1) with washers on each side.



**Make sure the screws are securely tightened.**

Warning

5. Check the alignment of the canopy in relation to the side sections of the base. The black brush seal (54/9) of the base side covers must just make contact with the housing of the canopy (on both sides).

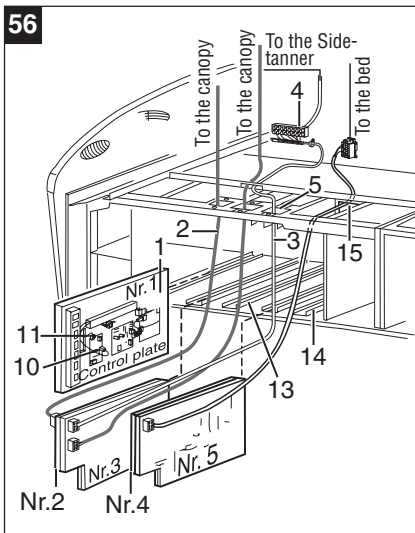
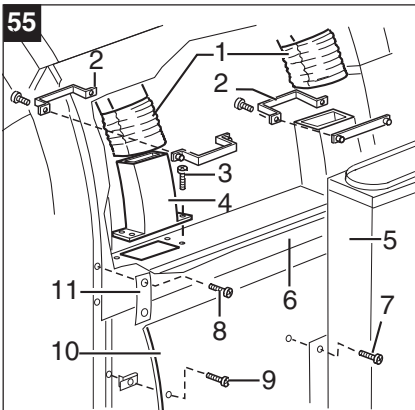
**If this is not the case please readjust the canopy on the appropriate side.**

6. To do this, loosen the screws (54/1) a little.
7. Take an Allen key for socket head screws. Screw in both setscrews M 8 x 25 (54/11) to move the canopy towards the back of the unit. Unscrew both setscrews M 8 x 25 (54/11) to move the canopy towards the front of the unit.
8. Fasten the hexagon nuts M 8 (54/10) on the setscrews (54/11).
9. Tighten the four fixing screws (54/1).



**Make sure the screws are securely tightened.**

Warning



**If you followed the mounting instructions above:**

1. Press down the canopy.



**Remove the 2 bolts (54/8) which you pushed through the holes in each of the retaining brackets.**

Function

#### Further procedure

##### Fitting the air duct

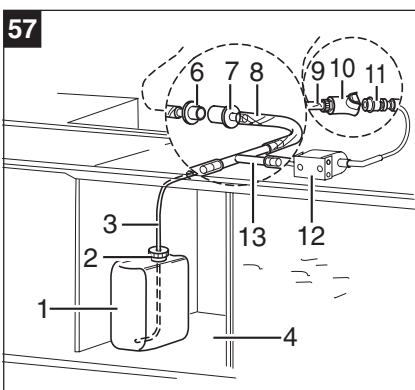
1. Fit the air duct (55/4).
2. Screw in the 3 accessible screws (55/3).

##### Fitting the bellows

1. Pull the bellows (55/1) down to the bottom.
2. Fasten the bellows to the air ducts with the appropriate spring clips (55/2).

##### Pulling the cables through

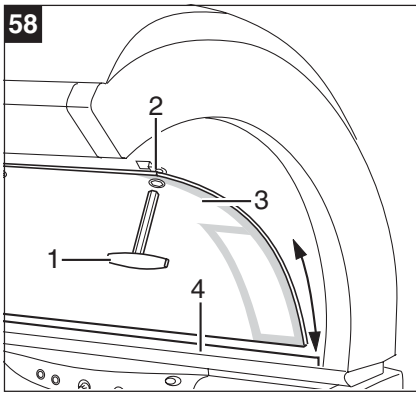
1. Pull the three canopy cables (54/3) – POWER OF CHI CPS unit has 4 canopy cables – to the bottom through the holes (56/5) in the base to the appropriately marked sockets on the mounting boards.
2. Connect the plugs to the sockets.



#### BREEZE

The BREEZE unit in the base is connected by a black PA (polyamide) line (57/9) to the pump in the canopy and by a light silicone line (57/4) to the nozzle in the canopy.

1. Connect the coupler (57/10) to the plug (57/11). Coupler Coupler and plug must snap together with a click.
2. Connect up the plug connection (57/6, 57/7) of the light silicone line.
3. Place the canister (56/1) into the space in the base.
4. Unscrew the closed cap from the full canister and screw on the cap with the hole and nozzle (57/2).
5. Insert the tube (57/3) into the nozzle and push it down until it touches the ground of the canister.

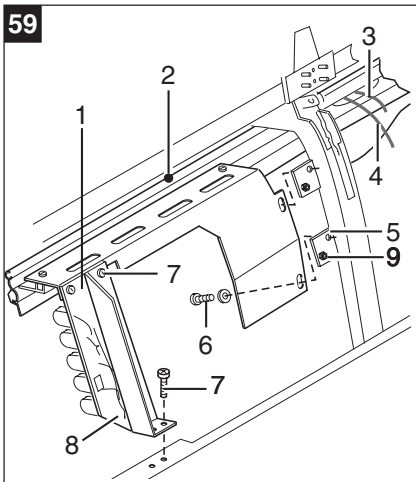


### Mounting the acrylic panel

1. Position the acrylic panel in the longitudinal slot (58/4) as shown by the printing.  
XTT Unit: The polished GB area of the acrylic panel lies above the high pressure lamp compartments.
2. Swing the acrylic panel (58/3) towards the canopy until it fits closely.
3. Turn the three hexagonal bolts (58/2) with the Allen key (58/1) so that the acrylic panel is secured firmly in place.

### 9.3.3 Fitting the Side Tanner

#### Mounting the Side Tanner



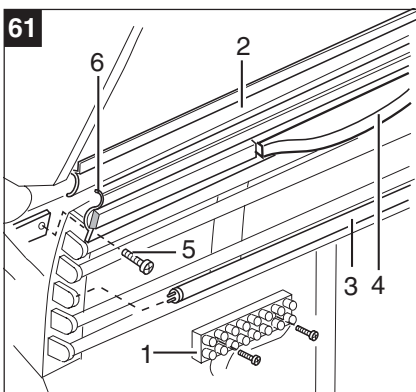
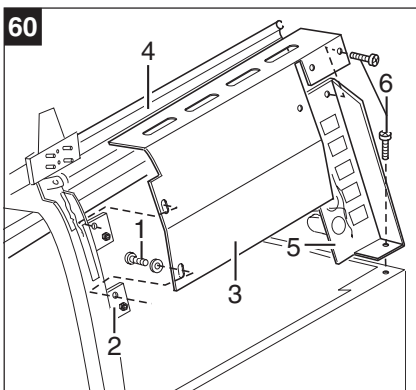
1. Lift the channel (59/2) and interior control panel with cable (59/3, 59/4) and brackets (59/1, 60/3) with the help of a second person and line up the two holes of the frame with the holes of the two brackets of the mechanism.
2. Screw in the 4 bolts 8 x 15 (59/6, 60/1) with washers (thick washers) from the inside of the tanning area.

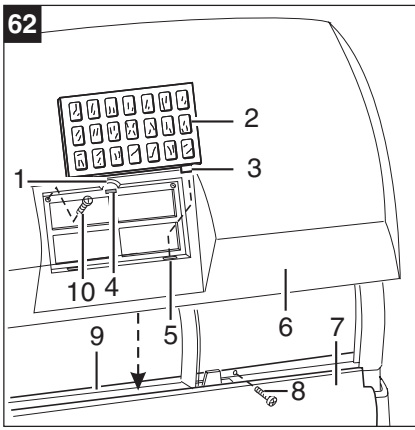
#### Ensure that the bolts are tight.

3. Secure the two lamp holder carriers (59/8, 60/5) with the wiring harness using the bolts (59/7, 60/6).
4. Install the clamp (61/1) in the designated holes in the left base.
5. Screw in a bolt (61/5) on each side through the channel of the side tanner into the side casing of the base.
6. Pull the cable with connector X12 from the clamp (61/1) further forwards.
7. Secure the bracket (64/7) with the connector X12 in the appropriate slots in the base using 2 screws for each.
8. Pull the 2 cables (59/3, 59/4) of the interior control panel through the round opening in the base and plug them into the corresponding sockets of the main processor board (Figure 64).
9. Adjust the position of the side tanner so that the light gasket (61/6) of the side tanner channel presses gently against the aluminum panel of the canopy (seals) and that these two parts are installed parallel to one another.
10. Unscrew the two bolts (59/6, 60/1) slightly to do this and tighten the relevant threaded pin bolts (59/9, 60/7).

#### Make sure that the bolts (59/6, 60/1) are tight again after adjusting the position of the side tanner.

11. Lift the interior control panel and install the lamps.
12. Install the bracket (64/9) over the plug connections.
13. Fasten both cables of the canopy and the side tanner cable to the base using the bracket (64/8).





### 9.3.4 Mounting the Covering Panels in the Canopy, Louvre and Outgoing Air Chimney

1. Secure the louvre (62/7) with its mounting rail (62/9) to the frame of the canopy from the back using six bolts (62/8).

#### Mounting the Covering Plate

1. Secure the covering plate (63/10) to the side casing using 2 bolts (63/9) and to the base at the bottom using 4 bolts.
2. Secure both guide brackets (63/11) for the louvre using the bolts (63/8).

#### Mounting the Outgoing Air Chimney (63/5)

1. Mount the outgoing air chimney (63/5) using the bolts (63/7).

#### Mounting the Large Canopy Covering Panel

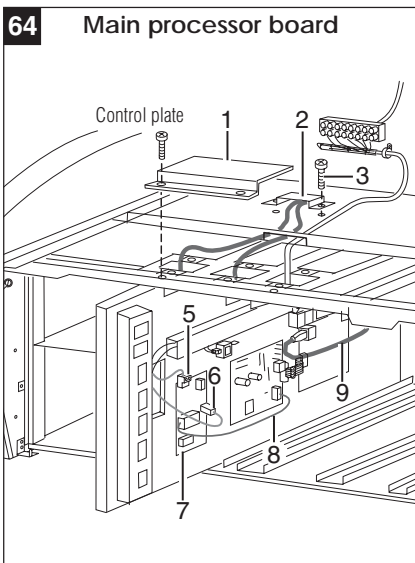
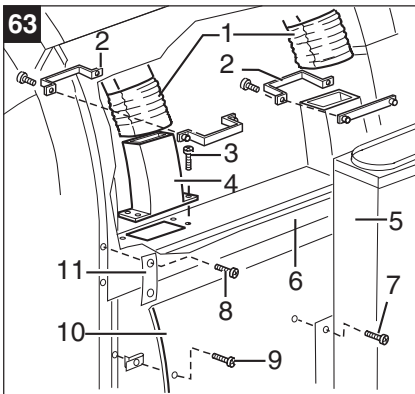
1. Stand in front of the unit and press the canopy down.
2. Guide the covering panel (62/6) with the rear long side of the covering panel into the longitudinal groove of the mounting rail (62/9).
3. Press back the covering panel and insert the front longitudinal edge into the front longitudinal beam of the canopy.
4. Place the covering panel on the canopy.
5. Screw in the bolts (62/10).

#### Fitting the Small Canopy Covering Panel

1. Clip the tabs (62/3) of the small covering panel into the recesses (62/5) of the large covering panel (62/6).
2. Lower the small covering panel onto the large covering panel.

#### The magnetic connection (62/4) engages.

4. Screw in the bolts (62/10).

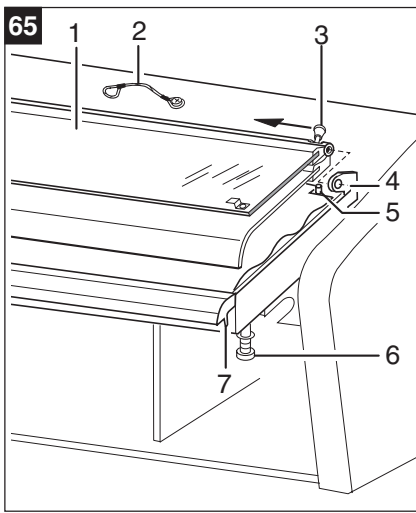


### 9.3.5 Connecting the Plug-In Connections

1. Connect all plug connections except the bed – bed board X9 plug connection.
2. The plug connections can be found in Table 3 and 3.1
3. As you connect the plug connections, pull the plug connections along the front slots of the boards.

	Control board	Canopy board	Canopy board	Side tanner board	Bed board	Main processor board
	No. 1	No.2	No.3	No.4	No.5	No. 6
Canopy		X10, 29-pin	X11, 29-pin			
Side tanner			X12, 29-pin			
Bed					X9, 29-pin	
Control board Left slot		X2, 18-pin	X3, 18-pin	X4, 18-pin	X6, 9-pin	X1, 29-pin
Board No. 4			X13, 9-pin			
Board No. 3				X13, 9-pin		
Clamp Rear base center						X14, 29-pin
Base, far left above small fan	X7, 29-pin					

Table 3



### 9.3.6 Fitting the Bed

#### Inserting the Bed

1. Pull the cable with socket X9 of the bed board (no. 5) backwards through the square opening into the base, see Figure 56, Page 28.
2. Position the bed so that the back third of the bed is resting on the base.



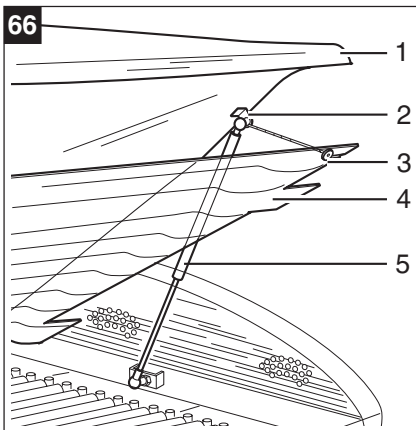
#### Warning:

Take care not to trap the bed cable. The cable must drop into the base.

#### Warning

Carefully push in the bed. Do not damage the ventilation grill of the vertical casing section at the foot of the bed.

3. Using the front edge of the bed (65/7), push the whole bed back a little as if you were pushing in a drawer.
  - Warning! Do not push the illumination lamp (FLOORLIGHT) by mistake.**
4. Attach the retaining cord (65/2) to the back of the bed.
5. Plug the 29-pin cable and connector of the bed into the 29-pin socket X9 of the bed board.
6. Push the bed back as far as it will go.
7. Tighten down the bolt 6 x 16 (65/6) on each side in the elongated hole.
8. Check that all plug-in modules are pushed all the way back and that all plug connections are connected.

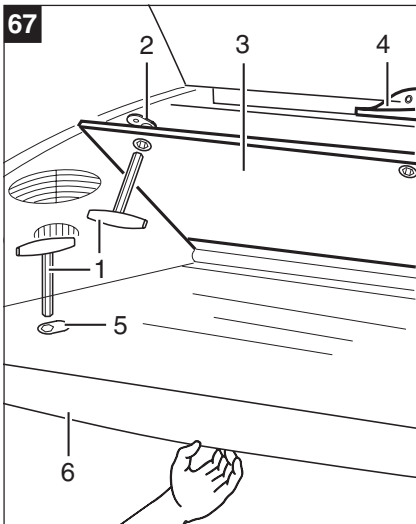


#### Inserting the Filter Frame

1. Hold the small filter frame by the handle (68/1).
2. Move the handle under the front edge of the bed.
3. Insert the filter frame with pilot pins (68/4) into the drilled holes in the base.
4. Move the filter frame towards the base using the handle.
5. Turn the slot of the bolts (67/2) to the vertical position.
6. Mount the second larger filter frame in the same way on the left in front of the base.

#### Fitting the Large Covering Panel in Front of the Base

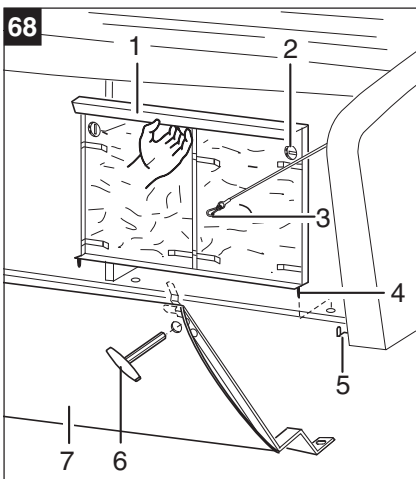
1. Insert the covering panel (68/7) with the pins (68/5) in the lower elongated holes.
2. Raise the covering panel slightly.
3. Hook both carbiners (68/3) into the covering panel.
4. Lift the covering panel towards the base until it touches.
5. Use the Allan key (68/6) to turn both hexagon socket bolts towards the side parts of the base.



#### Fitting the Bed Panel

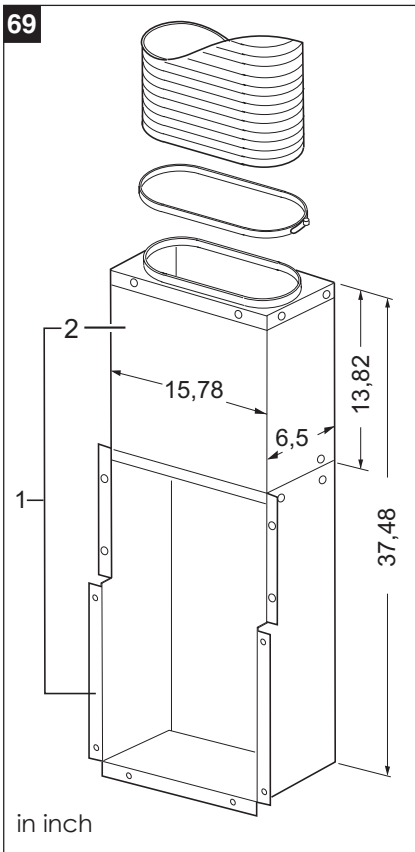
#### Fitting the Acrylic Panels

1. Position the corrugated bed panel on the bed so that the adjusting bolts (65/5) fit in the recesses.
2. Take the entire unit (bed panel, side tanner acrylic panel, rail) and mount on the tanning unit so that it has a positive fit.
3. Guide the pins of the bolt (65/3) into the holes (65/4) on both sides of the bed frame.
4. Lock the pins by pushing the bolt (65/3) towards the front part and tightening them.
5. Lift the bed panel (66/1) and secure the gas pressure springs (66/5) on both sides to the bed panel (66/1) at the top fixing point (66/2).
6. Lift the corrugated bed panel and hook it into the retaining cables (66/3).
7. Hold the bed panel along the front long side (67/6) and lower it onto the bed.
8. Turn back both bolts (67/5) using the Allan key so that the bed panel is secured in place.



#### Installing Side Tanner Acrylic Panel

1. Lift up the control panel (67/4).
  - The control panel locks in position.**
2. Tilt the acrylic panel (67/3) towards the side tanner until it touches.
3. Turn the 3 bolts (67/2) to the right using the Allan key (67/1).
4. Fold down the control panel (67/4).
  - The control panel locks in place.**



#### 9.4 Connecting the Outgoing Air Unit



Warning

##### Warning! Important information!

The heated cooling air must be extracted from the outgoing air duct (69/1) of the unit via a direct air outlet (central outgoing air duct).

You should therefore always connect an outgoing air hose to the hose adapter that can be used to guide outgoing air outside.

PC Marketing recommends using a special outgoing air chimney for this purpose as a standard addition to your unit, which you can order as an accessory.

Further information about effective ventilation can be found in the "AIR CONDITIONING TIPS" catalogue available either from us or your specialist dealer.

**Warning, Important Information! Please Read, Danger of Overheating!**

If the outgoing air is discharged to the atmosphere via a ventilation shaft, ensure minimum flow resistance inside the shaft. Fit a booster fan if necessary. In this case please consult an air-conditioning/ventilation specialist.

The discharge airflow is approx. 2,500 m<sup>3</sup>/hour. The same amount of fresh air must be introduced into the tanning room, and you should therefore ensure that there are fresh air vents in the tanning room wall providing a total opening cross section of at least 2,500 cm<sup>2</sup>.

#### 9.4.1 Accessories for Outgoing Air Duct Unit (Warm Air Recirculation, Outgoing Air Chimney)

- Warm Air Recirculation (only available as original equipment)

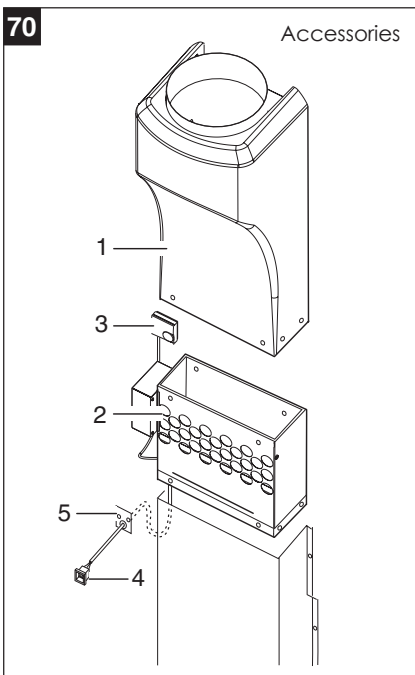
You can replace the top part (69/2) of the outgoing air duct of the unit with a warm air recirculation unit (70/2). The warm air recirculation unit is supplied with a room thermostat for mounting on the wall. Set the room thermostat to the desired room temperature.

Please contact us if you would like to find out more about this accessory.

- Outgoing Air Chimney

The air can be taken directly from the outgoing air duct of the unit by a special outgoing air chimney (Figure 70/1), which is available from PC Marketing.

Please contact us if you would like to find out more about this accessory.



#### 9.5 Electrical Connection



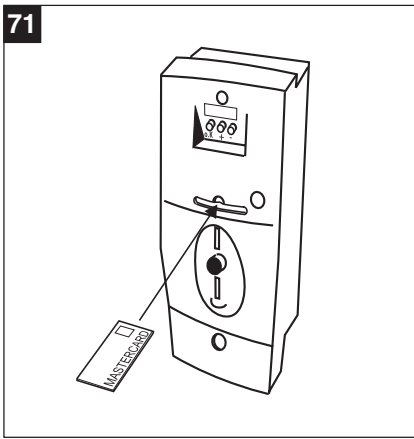
Warning

##### Warning:

Electrical connections must be carried out by a qualified electrician in accordance with the valid DIN, VDE and UVV specifications. The persons setting up the unit must test the unit and write a report (with carbon copy) in accordance with DIN VDE 0701. The operator must keep a copy of the report and send a copy to the Customer Service Department.

The unit is delivered fitted with a 5-core mains cable for connection to three-phase current 400 V 3 N ~ 50 Hz, neutral and earth conductors. The relevant wiring diagram is supplied with every unit.

1. Install a disconnecting device in the electric installation, which allows the unit to be completely separated from the mains with a contact gap of at least 3 mm at each pin.



## 9.6 Coin Meter or Central Desk Operation

The unit may only be connected by a qualified electrician in accordance with DIN VDE 0100.

### Fitting the Coin Meter (Figure 71)

1. Open the unit.
2. Separate the cable connection between the door and housing.
3. Remove the main door and coin container.
4. Push out the holes you require in the housing for the power cable.
5. Screw the cable glands provided into the openings.
6. Mount the unit with 3 screws and dowel plugs.



The unit must be fitted vertically to a solid, vibration-free wall.

#### Function

7. Pull the mains cable and control wires through the cable glands.
8. Connect the cables to the labeled connections.



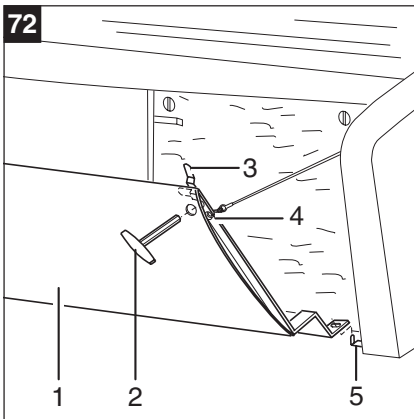
You must ensure that the coin meter can be separated from the mains (contact gap 3 mm) and the unit must be earthed.

#### Warning

9. Connect the cable connections between the power supply unit, the main board and the earth.
10. Insert the coin/token container and the main door.
11. Close the unit.

Information on operating and setting the unit can be found in the coin meter operating instructions.

For safety reasons, ensure that the maximum tanning session with this unit is limited to 30 minutes.



## 9.7 Retrofitting Air Conditioning (Accessory)



If you order an air-conditioning unit at a later stage, the tanning unit must be converted.

#### Warning

### Removing large covering panel in front of the base.

1. Take the Allan key (72/2).
2. Use the Allan key to turn both hexagon bolts (72/3) of the large covering panel towards the center of the unit.
3. Move the covering panel (72/1) slightly forwards.
4. Detach both carbinets (72/4) from the covering panel.
5. Lift the covering panel over both pins (72/5) of the base and remove.

### Installing the Air-Conditioning Unit

1. Unscrew the 5 bolts (73/1) and remove the shielding bracket (73/2).
2. Position the air conditioning unit at the front of the base.
3. Connect the 3-pin connector of the air conditioning unit (73/5) to the 3-pin coupling (73/4) in the base.
4. Check that the rubber seal (73/3) is installed on the right and around the edge. If not, this seal must be installed properly.
6. Push the air-conditioning unit (73/6) all the way back into the recess and to the right until it touches the rubber seal.
7. Secure the air conditioning unit using the 3 bolts (73/7) through the mounting bracket (73/8).
8. Mount the sealing plate (73/10) using the 5 bolts.

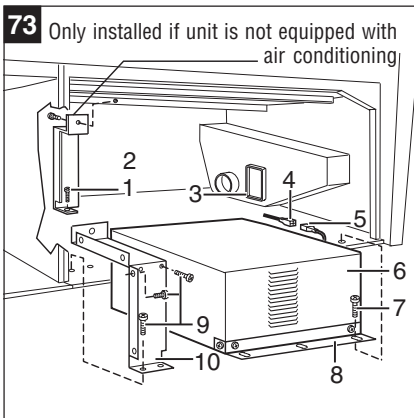


If the unit is operated without the air conditioning unit, the shielding bracket (73/2) must be reinstalled.

#### Warning

### Fitting the Large Covering Panel in Front of the Base

1. Insert the covering panel with the pins (72/5) in the lower elongated holes.
2. Raise the covering panel slightly.
3. Hook both carbinets (72/4) into the covering panel.
4. Move the covering panel upwards towards the base until it touches.
5. Use the Allan key (72/2) to turn both hexagon socket bolts (72/4) towards the side parts of the base.

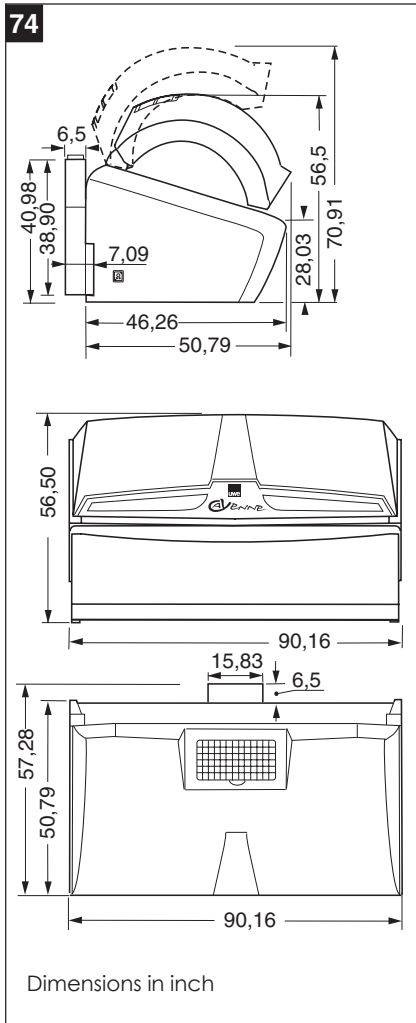


## Function of Air Conditioning Unit

1. Check that the air conditioning unit is functioning correctly.

## Parts list for retrofitting an air conditioning unit (ID No. 264 931)

Part	ID. No.	Illustration No.	Item in Figure 73
Air conditioning unit	262337		6
Mounting bracket	262332	-07x015-0499/002	8
Left front partition wall	264673	-07x011-0403	10
Pan-head tapping screw DIN 7981 F 4.2 x 9.5	35573		1, 7, 9



## 10 TECHNICAL SPECIFICATIONS

### 10.1 Technical Specifications, Dimensions and UV-Type \*

		CAYENNE XTT USA
Unit model		7019/100 HD XTT USA
Power (including air conditioning (kW))		13.4 kW
Operating voltage (V)		3 PE ~ 60 Hz 220 V
Fuse protection (A)		3 x 63 A (K63)
Weight (kg)		approx. 800 kg
Dimensions		
Length (inch)		90,16
width (inch)		57,28
Height ((inch)		70,91
(canopy open)		
Recommended minimum dimension cabin L x D (inch))		98,43 x 94,49
Noise emission ≤ 70 dB (A)		
Room temperature for operation max. 35° C		
The installation site must have a loading capacity of at least 500 kg/m <sup>2</sup> and must be flat.		

\*We reserve the right to make technical modifications.

CAYENNE XTT USA	Lamps	UV-TYPE to EN 60335-2-27
Canopy, face	3 x 1 kW BQ 1176 Z4	2
Canopy, body	17 x COSMOLUX 160 W VHR	4
	5 x COSMOLUX VHR 200 180 W	
Canopy back-ground -lighting	1 x TLD 18 W/18 blue	
Canopy, uwe Logo	4 x PL-S 7 W	
Canopy lighting, illuminated display	7 x L 30 W / 21-840 Plus	
Side tanner	5 x COSMOLUX VHR 200 180 W	
Bed	20 x COSMOLUX 160 W VHR	4
Bed lighting (FLOORLIGHT)	1 x TL-D 36 W/18 blue	

**! Turn off the power to the unit before changing lamps.**

### RELAMPING INSTRUCTIONS

### REPLACEMENT LAMP TYPES

**CAUTION: REPLACE ONLY WITH ORIGINAL LAMPS OR FDA APPROVED EQUIVALENT**

### **10.2 Covering the Lamps (Filter Disks)**

The UV lamps are covered by a panel of 2.5 mm thick acrylic in the canopy and side tanner and by two panels in the bed, one 4 mm thick (corrugated) and one 5 mm thick. The acrylic glass panels are frosted on the side nearest the lamps (LIGHTGLASS) except for the corrugated acrylic panel in the bed and the GB area of the canopy panel.

The following filter disks cover the high-pressure lamps of the CAYENNE XTT unit:

High pressure lamps (3 lamps): 1 x 324 Interferenz filter disk on the side nearest the user, (manufacturer's part no. 02936) and 1 x transparent filter disk 316 on the side nearest the lamp (manufacturer's part no. 02932).

The high-pressure lamps are covered by a polished panel made of 2.5 mm thick acrylic.

A reflector made of mirror-finish rolled, electrolytically polished and anodized aluminum is fitted between the lamps and the canopy bracket and the bed.

## **11 CUSTOMER SERVICE ADDRESS**

PC MARKETING  
1040 WILT AVENUE  
RIDGEFIELD, NJ 07657

1-800-FAST TAN

PC MARKETING  
1040 WILT AVENUE  
RIDGEFIELD, NJ 07657

1-800-FAST TAN



MARKETING

ID.-NR. 268 108 / 11/2004