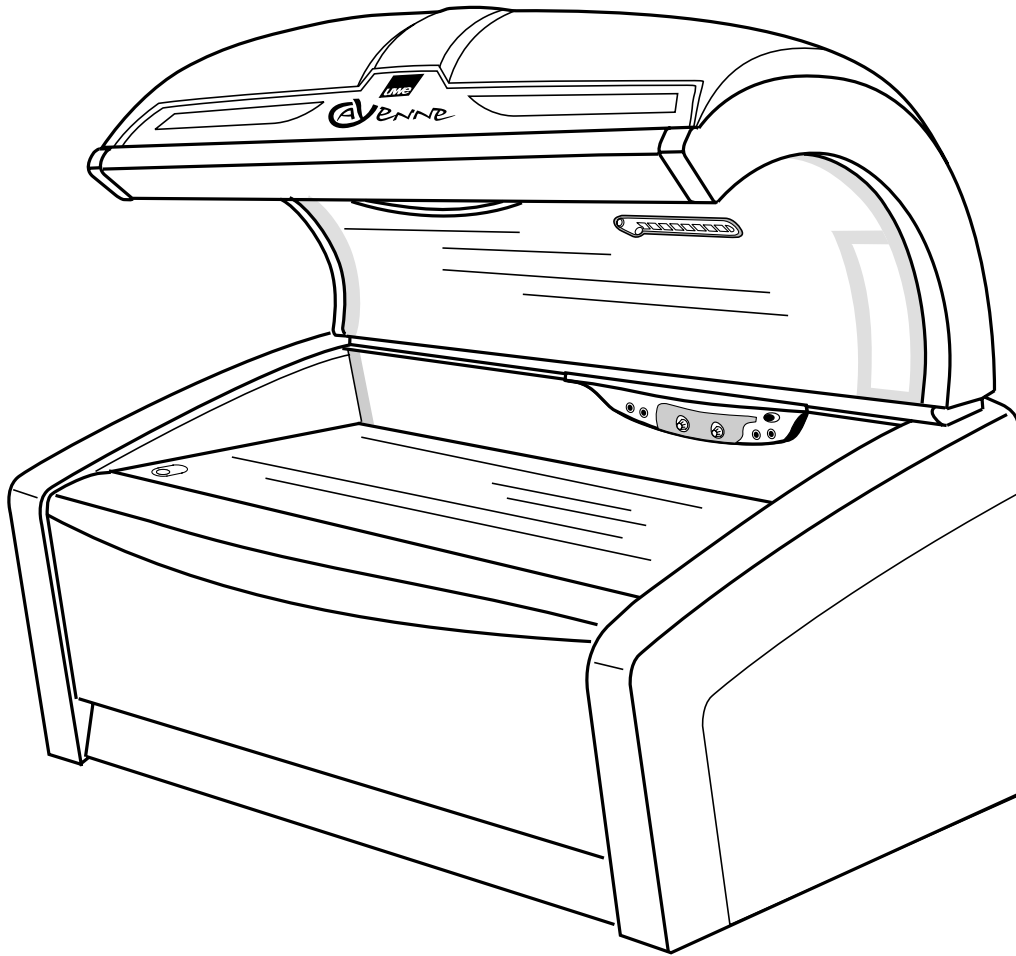


INDOOR TANNING EQUIPMENT CARE, USE AND INSTALLATION INSTRUCTIONS



Model:
CAYENNE XTT

**PC MARKETING
1040 WILT AVENUE
RIDGEFIELD, NJ 07657**

1-800-FAST TAN



Foreword

Your unit is built according to state-of-the-art technology and is safe to operate. The unit can be dangerous, however, if it is used by persons who have not been trained or shown how to use the unit, or if it is not used for the intended purpose. It is therefore essential that these operating instructions and in particular the notes on safety are read and understood by everyone involved in setting up, commissioning, operating, servicing, and repairing the unit. Allow you and your staff to be instructed by a specialist before using the unit for the first time. In the unlikely event of a technical fault please contact our Customer Service Department or your dealer.

CONTENTS

PAGE

1	NOTES ON SAFETY	4-6
1.1	Before Initial Operation	4
1.2	Using the Unit for the First Time	4
1.3	Safety Warning	4-5
1.4	Proper Use	5
1.5	Product Liability	6
1.6	What to do in an Emergency	6
1.7	Explanation of Danger Symbols	6
1.8	Position of the User	6

INFORMATION FOR THE TANNING SALON PERSONNEL

2	OPERATION	6-8
2.1	Equipment - New and Proven	6
2.1.1	Units with BREEZE Module (optinal)	6-7
2.2	Starting	7
2.3	On the Bed	7
2.3.1	Interior Control Panel	7-8
2.3.2	Interior Control Panel with BREEZE	8
2.4	Cleaning the Acrylic Panel	8

INFORMATION FOR THE OPERATOR

3	INITIAL OPERATION	8-9
3.1	Important information! Please read!	8-9
3.2	Before Initial Operation	9
3.3	Using the Unit for the First Time	9
4	CLEANING - IMPORTANT INFORMATION FOR THE OPERATOR	9-10
5	IMPORTANT INFORMATION FOR THE OPERATOR	10-13
5.1	Service Module (only for units with BREEZE)	10
5.1.1	Service Module (Operating Hours,	10
	Exclamation Marks on the Display in the base)	
5.1.2	Operating the Service Module	10-11
5.1.3	Subprograms of the Service Module	11-12
5.1.4	Overview of Possible Settings	12
5.2	Audio System	12-13

6	SERVICING AND MAINTENANCE	13-21
6.1	Exchanging the Acrylic Panel	14
6.1.1	Bed /Side Tanner Acrylic Panel	14-15
6.1.2	Canopy Acrylic Panel	15
6.2	Servicing the High-Pressure Lamps	15
6.2.1	Exchanging the High-Pressure Lamp in the Canopy	15-16
6.3	Exchanging the Lamps	16
6.3.1	Exchanging the Long Sunlamp	17
6.3.2	Exchanging the Illumination lamps	17-18
6.3.3	Canopy Effect Light	18
6.3.4	uwe Light Logo in the Center of the Canopy	18-19
6.4	Exchanging the Filter Mats	19
6.4.1	Filter Mats in Base Casing	19
6.4.2	Filter Mats in the Canopy	20
6.5	Stay in the Support Arms	20
6.6	Exchanging the BREEZE Module	20-21
7	TIPS FOR RECTIFYING SMALLER FAULTS	21
8	DISPOSAL	21

INFORMATION FOR THE ENGINEER AND uwe SPECIALIST

9	INSTALLATION OF THE PROFI UNIT	22-34
9.1	Place of Installation and State on Delivery	22
9.2	Assembly and Installation	22
9.2.1	Removing the Bed	22-23
9.2.2	Removing the Boards and Air Conditioning Unit	23
	(if installed)	
9.2.3	Removing the Side Tanner	24
9.2.4	Removing the Outgoing Air Unit	24
9.2.5	Removing the Casing	24
9.2.6	Removing the Canopy	25-26
9.2.7	Removing the Base	26
9.2.8	Installing the Outgoing Air Chimney	26
9.2.9	Fitting the Base	26
9.3	Fitting the Casing	27
9.3.1	Fitting the Boards and Air Conditioning Unit	27
9.3.2	Fitting the Canopy	28-29
9.3.3	Fitting the Side Tanner	29
9.3.4	Mounting the Covering Panels in the Canopy, Louvre	30
	and Outgoing Air Chimney	
9.3.5	Connecting the Plug Connections	30
9.3.6	Fitting the Bed	31
9.4	Connecting the Outgoing Air Unit	32
9.4.1	Accessories for Outgoing Air Duct Unit	32
	(Warm Air Recirculation, Outgoing Air Chimney)	
9.5	Electrical Connection	32
9.6	Coin Meter or Central Control	33
9.7	Retrofitting Air Conditioning (Accessory)	33-34
10	TECHNICAL SPECIFICATIONS	34-35
10.1	Technical Specifications, Dimensions and UV type*	34
10.2	Lamp Covers (Filter Disks)	35
11	Customer Service Address	35

1 – SAFETY INSTRUCTIONS:

1.1 Before installation and placing in operation, the Safety Instructions and Operating Instructions must be carefully read and observed.

1.2 Before the unit is placed in operation, the local Safety Regulations and the Safety Instructions must be complied with.

1.3 SAFETY / WARNING

DANGER – ULTRAVIOLET RADIATION

Follow instructions. Avoid overexposure. As with natural sunlight, overexposure can cause eye and skin injury and allergic reactions. Repeated exposure may cause premature aging of the skin and skin cancer. Consult physician before using sunlamp if you are using medication or have a history of skin problems or believe yourself especially sensitive to sunlight. If you do not tan in the sun, you are likely to tan from the use of this product. **WEAR PROTECTIVE EYEWEAR: FAILURE TO MAY RESULT IN SEVERE BURNS OR LONG – TERM INJURY TO THE EYES.**

Therefore, you must observe the following Safety Instructions:

The ultraviolet radiation is very intense. **DO NOT** look at the tanning lamps.

While tanning, close your eyes, and always use the protective eyewear that is supplied.

Before tanning, always remove jewelry.

DO NOT tan more frequent than once every two days.

For recommendations about exposure times and recommended frequencies, please see below **RECOMMENDED EXPOSURE SCHEDULE**, which is enclosed with every unit.

RECOMMENDED	Skin Type	WEEK 1 1 ST -3 RD Session	WEEK 2 4 TH -6 TH Session	WEEK 3 7 TH -10 TH Session	WEEK 11 TH -15 TH Session	WEEKLY Subsequent Session
EXPOSURE	II - Fair	2 min.	3 min.	6 min.	12 min.	12 min.
	III – Average	2 min.	4 min.	6 min.	12 min.	12 min.
	IV– Brown	2 min.	6 min.	8 min.	12 min.	12 min.
SCHEDULE	V – Dark Brown	2 min.	6 min.	8 min.	12 min.	12 min.

Tanning can begin on a regular basis (allowing 48 hours between sessions). An appearance of tanning normally occurs after a few exposures and maximizes after four (4) weeks of exposure following the recommended exposure schedule of two (2) weekly 10 minute sessions is recommended from the fifth week onward.

USE PROTECTIVE EYEWEAR WHENEVER THE EQUIPMENT IS ENERGIZED.

READ THE INSTRUCTION BOOKLET BEFORE USING THIS PRODUCT.

WARNING

If you have been diagnosed by a physician as being allergic to the sun or are currently taking photosensitive medications, consult your physician before using this product.

Children, persons with fair skin, elderly persons and persons who have a history of skin problems or believe yourself especially sensitive to sunlight, should avoid using this product. If you do not tan in the sun, you are likely to tan from this product.

Certain drugs – particularly those designed to enhance photosensitivity – maybe cause individuals under their influence to experience adverse effects and those people ought to avoid exposure to UV sources of all kinds. Doctors will advise persons taking these drugs of possible adverse effects.

It is recommended that only one person at a time use the tanning system. Use protective eyewear while tanning. One pair of protective eyewear is provided with each unit sold.

Occasionally, persons, using the tanning system will experience a slight reddening of the skin – usually in small patches – after the second or third session. This redness is often accompanied by an itching sensation. This is nothing more than a heat “rash” caused by heat from the lamps within the system. It is generally very limited. It will go away within approximately 24 hours and should not reappear. This rash can be lessened or prevented by applying moisturising lotion to the affected area after the tanning session is complete.

CAUTION:

WHILE THERE IS NO IMMEDIATE CLINICAL EVIDENCE REGARDING UV EXPOSURE AND ITS EFFECTS UPON EXPECTANT MOTHERS, IT IS STRONGLY ADVISED THAT EXPECTANT MOTHERS BE DISCOURAGED FROM USING THIS PRODUCT.

EXPOSURE TIMES AND FREQUENCIES

Melanin, the brownish pigment produced by special cells in the base layers of the skin determines the individual ability to tan. As the skin is exposed to ultraviolet rays, the melanin is activated and combines with protein cells that rise to the skin's surface, thus producing a tan. The amount of melanin in your bodies determining how quickly and darkly you can tan.

NOTE

THE TAN PRODUCED BY THIS UNIT IS A DEEP, RICH "COSMETIC" TAN, HOWEVER, REGARDLESS OF HOW MUCH AN INDIVIDUAL MAY TAN WITH THIS UNIT, IT WILL NOT PROVIDE ADEQUATE PROTECTION AGAINST OVEREXPOSURE TO NATURAL SUNLIGHT OR UVB TANNING SYSTEMS.

- SKIN TYPE II - THIS IS THE INDIVIDUAL THAT USUALLY BURNS EASILY AND SEVERELY. TANS MINIMALLY OR LIGHTLY AND PEELS.
- SKIN TYPE III - OFTEN REFERRED TO AS "AVERAGE" COMPLEXION. BURNS MODERATELY AND TANS ABOUT AVERAGE.
- SKIN TYPE IV - THIS INDIVIDUAL BURNS MINIMALLY, TANS EASILY AND ABOVE AVERAGE WITH EACH EXPOSURE.
- SKIN TYPE V - THIS INDIVIDUAL RARELY BURNS, TANS EASILY

RECOMMENDED EXPOSURE SCHEDULE

RECOMMENDED	Skin Type Session	WEEK 1	WEEK 2	WEEK 3	WEEK	WEEKLY
		1 ST -3 RD Session	4 TH -6 TH Session	7 TH -10 TH Session	11 TH -15 TH Session	Subsequent
EXPOSURE	II - Fair	2 min.	3 min.	6 min.	12 min.	12 min.
	III - Average	2 min.	4 min.	6 min.	12 min.	12 min.
	IV- Brown	2 min.	6 min.	8 min.	12 min.	12 min.
SCHEDULE	V - Dark Brown	2 min.	6 min.	8 min.	12 min.	12 min.

No two individual skin tones are the same. A tan to one person may be different to another, and session length may vary. It is recommended that, following a tanning session, a skin moisturiser be applied. This promotes a smoother more even looking tan. Equally important - many facial make-ups have oil bases and should be removed prior to each tanning session.

NOTE

SINCE THE BACK AND STOMACH AREAS OF THE BODY WILL RECEIVE THE MAJORITY OF THE TANNING RAYS, IT IS RECOMMENDED THAT INDIVIDUALS SPEND ONE HALF OF EACH SESSION LYING ON EACH SIDE OF THE BODY TO ACHIEVE A FULL-BODIED TAN.

WARNING

COMMERCIALY AVAILABLE CREAMS, LOTIONS AND OILS CONTAIN SUNSCREENS WHICH FORM A PHYSICAL BARRIER ON THE SKIN THAT PREVENTS THE UV RAYS FROM PENETRATING AND INDUCING A TAN. IT IS RECOMMENDED THAT YOU ONLY USE CREAMS, OILS OR LOTIONS THAT **DO NOT CONTAIN POLYTHENE/GLYCOL MONOLAURATE** AND ARE DESIGNED FOR USE WITH INDOOR TANNING EQUIPMENT. FAILURE TO COMPLY WITH RECOMMENDATIONS AND WARNINGS STATED ABOVE MAY VOID THE MANUFACTURER'S WARRANTY.

WARNING!

THIS UNIT **MUST NOT** BE USED IF THE TIMER IS FAULTY OR IF THE FILTER GLASS PLATE IS BROKEN.

1.4 Proper Use

All units are intended exclusively for indoor tanning of people and for commercial use. The unit must only be operated in areas free from the danger of explosions and in dry rooms. The rooms must be well ventilated. If operated in a tanning salon, the room and solarium itself must be kept clean and hygienic. Any additional use is not regarded as the intended proper use and the manufacturer accepts no liability for any damage that may arise as a result. All risk falls to the user.

Proper use includes observance of the operating, maintenance, and servicing conditions specified by the manufacturer. Servicing and repair work and the like may only be carried out by uwe Customer Service Department or persons commissioned by them.

The units may only be used by those who are familiar with them and who have been informed about the dangers. Appropriate accident prevention measures and other generally recognized rules regarding safety and industrial medicine must be observed. Unauthorized changes to the units exclude the liability of the manufacturer for any resulting injury. This applies in particular to injury resulting from the use of lamps and/or filter disks not authorized by uwe.

1.5 Product Liability

The attention of the user is drawn explicitly to the fact that the unit may only be used for the intended purpose. All responsibility and liability falls to the user if the unit is used other than for the intended purpose. The manufacturer no accepts any liability.

1.6 What to do in an Emergency

Remove the mains plug or switch off the power using the main switch or fuses and secure the unit against unauthorized re-initialization.



Warning

1.7 Explanation of Danger Symbols

Warning!

All sections in these operating instructions that relate to your safety are marked with this symbol.

Please also pass on the information regarding safety to other users.



Function

All sections in these operating instructions that contain information regarding the function of the unit are marked with this symbol. Please pay particular attention to this information to avoid damaging the unit.

NOTE

All information and notes in these operating instructions are marked with the word Note.

Pictures

Various figures and diagrams are referred to in the text. For example (30/2) refers to Figure 30, item 2.

1.8 Position of the User.

In front of the unit and on the bed.

INFORMATION FOR THE SALON PERSONNEL

2 OPERATION

2.1 Equipment - New and Proven



Function

Important information! Please read!
Please pass on all this information to the user.

AIR SHOWER

There is an air vent in the canopy, which allows cool air to pass directly over the upper body.

HEADPHONES SOCKET

You can plug a 3.5 mm headphone jack into the socket to enjoy music played on the central sound system.

SPEAKERS (Optional)

If you prefer you can equip your solarium with 2 speakers so that you can enjoy the music played on the central sound system while you tan.

FANS

The fans are set to continue running for approximately 6 minutes (factory setting) after the tanning session to allow the unit to cool.

BREAKSAFE

The transparent filter disks over the high-pressure lamps in the canopy are protected by a BREAKSAFE device. If one of these filter disks breaks, the power supply is interrupted and the unit cannot be restarted until the filter disk has been replaced with a new one. The XTT filter disks over the high-pressure lamps must be visually inspected.

2.1.1 Units with BREEZE Module (Optional)

If your unit is equipped with a BREEZE module then you can also select additional settings.

BREEZE

There are two nozzles in the canopy, which, if desired, spray a fine mist of distilled, germ-free water into the tanning area of the unit.

INTERACTIVE OPERATION

You can adjust the tanning and cooling intensity for the body and face areas separately using the interior control panel (2 knobs for each).

SERVICE MODULE

The service module makes it easier to maintain and check the wearing parts of the unit for aging.

2.2 Starting



Warning

Please refer to the table of recommended tanning times.

Do not exceed the tanning time recommended for your skin type. Avoid sunburn.

Never undergo ultraviolet exposure if you have sunburn.

Your final tan (when your skin does not tan any more) depends on your skin type. This cannot be changed by using a solarium but only maintained.

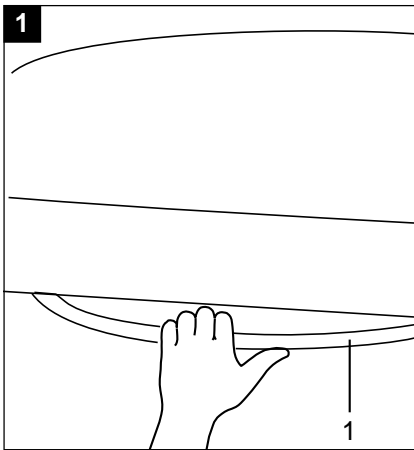
Close your eyes while tanning and always wear the protective goggles provided.

If you have undergone surgery to your eye lenses it is extremely important that you wear protective goggles while tanning.

Starting the Unit

1. Insert coins or tokens into the coin meter.

The unit switches on automatically after the pre-tanning time depending on the central desk operation or coin meter system used.



2.3 On the Bed

1. Lay down on the bed.



Warning

Keep your body away from the front edge of the bed. Danger of squashing!

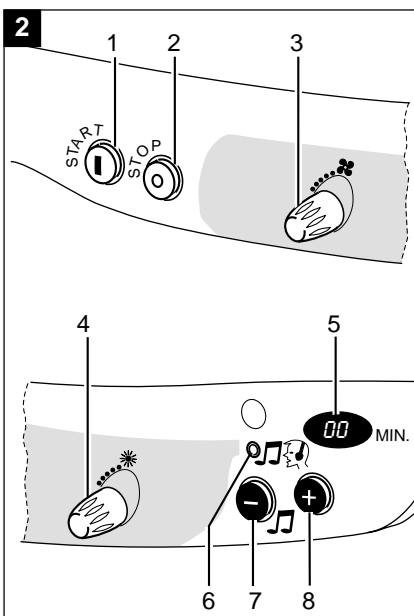
2. Pull down the canopy using the handle (1/1) you can reach with your left hand.

The distance between you and the lamps is determined by the design of the unit.

If the tanning session has not yet begun, the pre-tanning time is still active. The lamps switch on automatically after the pre-tanning time.

Ending the Pre-tanning Time Prematurely (Early Start or Remote Start)

1. Press the START button (2/1 or 3/1) on the interior control panel. The lamps switch on immediately (before the pre-tanning time is over).



2.3.1 Interior Control Panel



Warning

You can interrupt the tanning session at any time by pressing the STOP button (2/2 or 3/2)

• STOP and START Buttons

During the tanning session you can press the STOP button (2/2 or 3/2) to interrupt the tanning and the START button (2/1 or 3/1) to restart the tanning (Warning: the high-pressure lamps only re-ignite after a cooling time of approximately 4 minutes). The tanning time continues during this interruption, i.e. the display (2/5 or 3/9) continues to count the minutes of your tanning session that have elapsed.

• Knob for Cooling

Knob (2/3) controls the cool air inflow from the fan at the base of the unit and from the vent at the top of the canopy. The blue LED lamps light up according to the cooling level you have selected.

• Tanning Knob

Knob (2/4) controls the tanning intensity for the body and face tanning lamps. Lamps are turned on depending on the position of the knob. The red LED lamps light up according to the tanning level you choose.

- **Headphones Socket**

Plug your headphones into the socket (2/6 or 3/12) to listen to music played on the central sound system.

- **Volume Buttons**

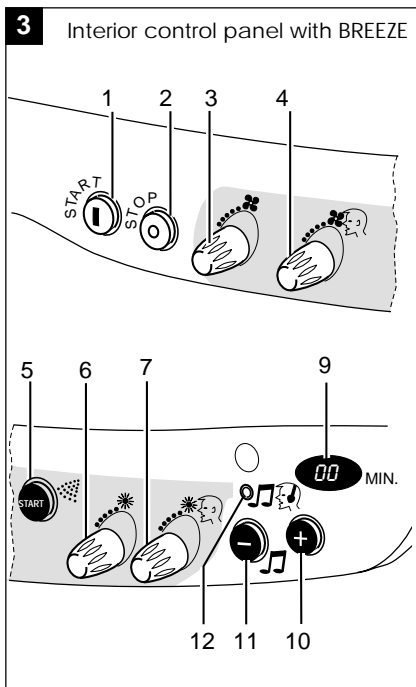
Buttons (2/7 or 3/11) and (2/8 or 3/10) allow you to control the volume of the music played on the central sound system.

- **LED Display**

The 2-segment LED display (2/5 or 3/9) counts the time of the tanning session in intervals of 1 minute once the sunlamps have switched on. Here you can see how many minutes of the tanning session have elapsed. The unit switches off when the tanning session is complete and the display shows 0.

If you do not make any selections the unit will automatically start with the default settings:

- Tanning level for body and face Level 5
- Air-conditioning level for body and face Level 3
- BREEZE (optional) OFF
- Volume Medium setting



2.3.2 Interior Control Panel, Units with BREEZE Module (Optional)

In addition to the button assignments listed in section 2.3.1, the following button assignments are added or changed for units equipped with a **BREEZE** module.

- **BREEZE Button (Optional)**

If you press the button (3/5) with the symbol for BREEZE, a fine mist of distilled water is sprayed over the upper body and face from two nozzles in the canopy. The area around the button glows red when the spray is activated. As soon as the spray cycle has ended (lock-out time approx. 2 minutes) the area around the button glows green and you can press the button again (ready).

- **Two Cooling Knobs**

You can control the air-conditioning separately using the two knobs. Knob (3/3) controls the cool air inflow from the fan at the base of the unit and knob (3/4) controls the cool air inflow from the vent at the top of the canopy. The blue LED lamps light up according to the air conditioning level you have selected.

- **Two Tanning Knobs**

Knobs (3/6) and (3/7) allow you to control the tanning intensity on your body and face separately. The lamps are switched on according to the position of the knob. The red LED lamps light up according to the tanning level you choose.

2.4 Cleaning the Acrylic Panel: Only use uwe cleaner



Warning

- Always pay attention to hygiene.
- The bed must be disinfected and cleaned after every tanning session.
- Keep uwe cleaner and other cleaning agents away from your eyes.
- Do not spray into naked flames.
- Do not drink.
- Keep out of the reach of children.
- Use cleaning agents as directed by the manufacturer and observe the acting time.
- Do not pour liquids onto the unit to ensure moisture does not seep under the covering panels into the electrics.

Cleaning the Acrylic Panel (bed panel)

1. Clean the acrylic panel after every tanning session with uwe "PICCOBELLO" cleaner or Paletti Hydro Vlies.
2. If using uwe "PICCOBELLO" cleaner, spray the cleaner onto the acrylic panel and leave for 1 minute.
3. Always dry the panel afterwards with a clean cloth.

INFORMATION FOR THE OPERATOR

3 Initial Operation

3.1 Important information! Please read!

Do not put defective units into operation.

Please send a copy of the inspection report in accordance with DIN VDE 0701 to the uwe Customer Service Department.

Observe the highest permissible room temperature (max. 35°C) or the unit may overheat.

Observe the requirements with regard to hygiene.

Provide protective goggles and ensure that they are worn.

Make users aware of the importance of observing the tanning time depending on their skin type.

Keep the assembly and operating instructions close by.

Post the notes on safety and the recommended tanning times in the solarium room where they can be seen easily.

Only operate the unit for longer periods of time with the canopy closed.

There is a sticker on the acrylic panel of the bed providing important information in 4 languages. Please read this information and then remove the sticker.

3.2 Before Initial Operation

The notes on safety and operating instructions must be read carefully and observed before the unit is set up and operated for the first time.

On units equipped with a BREEZE module, you can change the factory settings (e.g. after-running time) in the service module within certain limits to meet your individual requirements (refer to Section 5.1).

3.3 Using the Unit for the First Time

Observe the local safety specifications and notes on safety before using the unit for the first time. The unit cannot be started up until it is completely assembled, connected to the mains power supply and hooked up to the coin meter or central desk.

4 CLEANING - IMPORTANT INFORMATION FOR THE OPERATOR

Pay particular attention to hygiene on and around the unit. Dust reduces the tanning effect.

Keep cleaning agents away from eyes!

Do not spray into naked flames!

Do not drink! Keep out of the reach of children!

Do not pour liquids onto the unit to ensure moisture does not seep under the covering panels into the electrics.

Use cleaning agents as directed. Observe the acting time specified by the manufacturer.

There is no guarantee or warranty liability if another cleaning agent is used.

• Body

1. Clean the painted outer surfaces of the unit with a damp cloth. The water used to moisten the cloth may contain a little detergent.
2. Do not use scouring agents.
3. Remove stubborn dirt with a soft cloth and a biodegradable cleaning agent (e.g. a cleaning agent containing neutral soap).

• Acrylic Panel

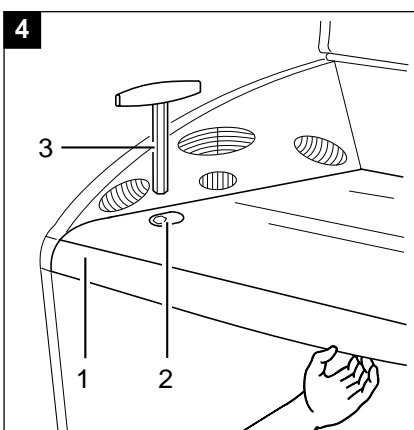
“PICCOBELLO” cleaning agent is particularly suitable for disinfecting, deodorizing and cleaning all kinds of surfaces, in particular tanning salons and fitness studios. “PICCOBELLO” is supplied by uwe as a concentrate and must be diluted in water to a solution suitable for use.

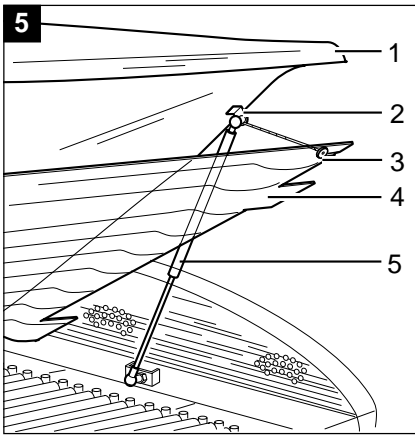
Mixing PICCOBELLO Ready for Use

1. Mix 15 ml of “PICCOBELLO” in 1 liter of water. This gives a 1.5% solution that requires an acting time of 1 minute.

Cleaning the Acrylic Bed Panels

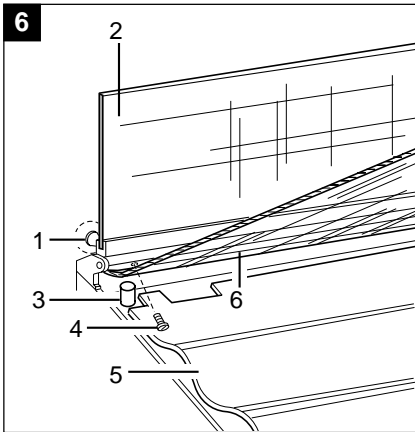
1. Only clean the acrylic panels with the original uwe “PICCOBELLO” cleaner or Paletti Hydro Vlies.
2. If using the uwe “PICCOBELLO” cleaner, spray the cleaning agent onto the acrylic bed panel (4/1) and leave to work for approximately 1 minute.
3. Always dry the panel afterwards with a clean cloth.
4. Occasionally clean the underside of the bed panel, the corrugated acrylic panel underneath the bed panel and the acrylic panel in the canopy and side tanner.





Lifting the Acrylic Bed Panels

1. Take the Allan key (4/3) provided.
2. Using the Allan key, turn the bolt (4/2) of the bed panel (4/1).
3. Do the same with the second bolt.
4. Hold the bed panel (4/1) at the front long side and lift the panel all the way up.
The gas pressure spring (5/5) holds the bed panel and corrugated acrylic panel (5/4) underneath it in this open position.
5. Detach the corrugated acrylic panel (5/4) from the fastening cords (5/3). The corrugated acrylic panel now lies freely on the bed and can be removed for cleaning.
6. Clean the underside of the bed panel and the lower corrugated acrylic panel with "PICCOBELLO" cleaner or Paletti Hydro Vlies.



Lowering the Acrylic Panels

1. Lay the corrugated acrylic panel on the bed so that the adjusting bolts (6/3) fit in the recesses.
2. Lift the corrugated acrylic panel and attach it in the fastening cords (5/3).
3. Hold the front long side of the bed panel (5/1) and lower it down onto the bed.
4. Turn back both bolts (4/2) using the Allan key so that the bed panel is secured in place.

• Reflector

1. When replacing lamps, wipe the reflectors with a cloth that has been soaked in alcohol.

• Stainless Steel Canopy

1. Clean the stainless steel canopy with a soft cloth. Add a few drops of olive oil to the cloth to make it easier to clean the canopy.

5 IMPORTANT INFORMATION FOR THE OPERATOR

5.1 Service Module – ONLY FOR UNITS WITH BREEZE MODULE (OPTIONAL)

5.1.1 Service Module (Operating Hours, Exclamation Marks on the display in base housing)

The service module has 3 subprograms, which can be called in succession on the display in the base housing.

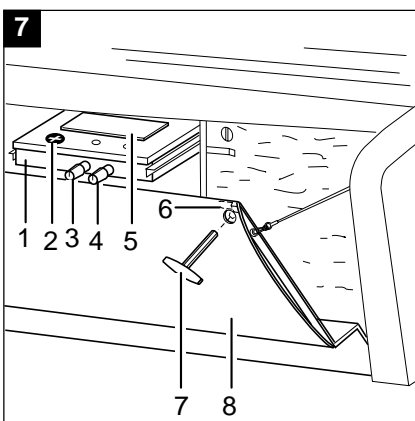
The service module makes it easier to maintain and inspect the most important wearing parts of the unit for aging.

The operating hours can be viewed on the display using the service module.

The display is on a drawer in the base housing. Lower the large cover of the base housing to view the display.

Lift the Bed Panel

1. Take the Allan key provided.
2. Using the Allan key, turn the bolt of the bed panel.
3. Do the same with the second bolt.
4. Hold the bed panel at the front long side and lift the panel all the way up.



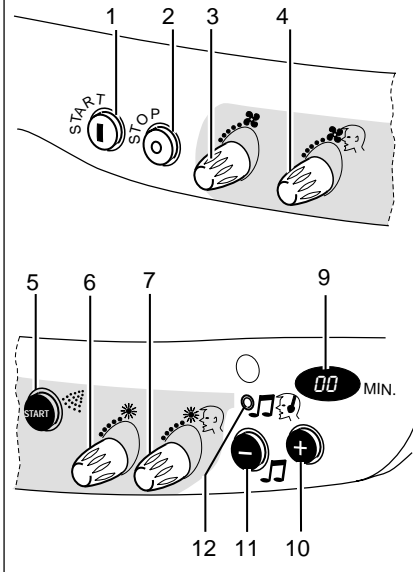
Lower the Large Cover in Front of the Base and Pull out the Drawer

1. Take the Allan key provided (7/7).
2. Using the Allan key, turn both hexagon socket bolts (7/6) of the large cover towards the center of the unit.
3. Lower the cover (7/8).
The cover is held at both sides by cords.
4. Slide out the drawer (7/1).
On the drawer you will see the display (7/5), two knobs (7/3, 7/4) and a button (7/2).

5.1.2 Operating the Service Module

1. Simultaneously press the 4 buttons on the interior control panel: START button (8/1), STOP button (8/2) and both buttons used to control the volume (8/10 and 8/11).
2. Press and hold this button combination for approximately 4 seconds.
The program menu appears on the display (7/5).
3. You can move the cursor through the menu using the two knobs (7/3, 7/4) on the drawer.
4. Move the cursor vertically using the left knob (7/3).

Interior control panel with BREEZE



5. Move the cursor horizontally using the right knob (7/4) and you can also select the settings with this knob. The settings you choose are saved when you move to a different line.
6. If you move the cursor down you reach Service Menu 1 and Service Menu 2.
7. Press the Print button (7/2) in Service Menu 1 to reset the settings. You should press the Print button, for example, if the filter mats have been exchanged and you need to reset the service time for the filter mats to 150 hours.
8. **If you unplug the unit within 5 minutes of leaving the service module the parameters you have changed will be saved and activated.**
If you change the parameters but then do not unplug the unit after leaving the service module all settings that were active before entering the service module will remain the same.
If you do not make any changes in the service module within approximately 4 minutes, the unit automatically leaves the service module and returns to the user guide (Text display "Hello and welcome...").

5.1.3 Sub-Programs of the Service Module Program Menu

1. In the program menu you can change the factory settings (e.g. after-running time) within certain limits to meet your own requirements (see Table 1.1 in Section 5.1.4).

Service Menu 1- Exclamation Marks on Display in Base Housing/Total Operating Hours.

1. If you see an exclamation mark in the bottom right-hand corner of the display (7/5), go to Service Menu 1 and replace the wearing part next to which there is also an exclamation mark.
2. In Service Menu 1 change the intervals after which the wearing parts should be exchanged (see Table 1.1 in Section 5.1.4).
3. Read off the total operating time.

Example: Filter mats (wearing part)

1. Set 150 operating hours for the interval after which the filter mats should be replaced. After this operating time has elapsed, an exclamation mark (!) appears in the bottom right-hand corner of the display (7/5).
2. Call up Service Menu 1.
3. Check which wearing part has exceeded its operating time (in this example it is the filter mats).
4. Exchange the filter mats.
5. In the "reset" line for filter mats press the Print button (7/2) to reset the time to 150 hours.
6. If you now unplug the unit from the mains within 5 minutes, the changed parameters are saved and activated.

Service Menu 2 Error Messages on the Display in the Base Housing

• Outgoing air

The temperatures of the outgoing air are monitored and displayed in Service Menu 2. These temperatures are compared to the maximum permissible temperatures.

If the outgoing air temperature exceeds the maximum permissible temperature "F1" appears in the bottom right-hand corner of the display.

1. Check the display.
2. Contact our Customer Service Department if necessary.

• Warm Air Recirculation



Warning

Warning!

The warm air recirculation unit can only be purchased as an accessory for the CAYENNE unit and is then controlled by an external thermostat (Section 9.4.1).

The possible settings (Section 5.1.4 Table 1.2) in Service Menu 2 do not, therefore, have any effect on the warm air recirculation. This function is not assigned.

• BREEZE (Optional)

If you exchange a component of the BREEZE module, such as the water canister, the number of spray cycles must be reset to 2,000 (Service Menu 1), the BREEZE system must be bled (Service Menu 2), and the unit must be unplugged from the mains power supply.

1. Please read exactly how to proceed in Section 6.6.

Other Possible Error Messages

- F1 Temperature too high (outgoing air temperature exceeds 60°C)
- F2 EEPROM error
- F3 Sensor short-circuit
- F4 Sensor broken

How to Proceed

1. Please contact our Customer Service Department.

5.1.4 Overview of Possible Settings

Service Menu 1	Factory settings	Possible settings by operator	
Language	German	Choice of 14 languages	
		Min. value	Max. value
After-running time	6 minutes	4 Minutes	6 Minutes
!!!BINGO time	Setting has no effect! See below		
Low-pressure lamps	500 operating hours (hrs)	350 hrs	700 hrs
High-pressure lamps	500 operating hours (hrs)	350 hrs	700 hrs
Filter mat	150 operating hours	100 hrs	300 hrs
Starter	1,000 operating hours	700 hrs	1400 hrs
BREEZE (optional)	2,000 spray cycles	Cannot be changed, the no. of spray cycles is counted down from 2,000 Warning! The BREEZE button is locked after it has been pressed 2,000 times	
!!!AROMA module	Setting has no effect! See below		

Table 1.1

Note

The time can be set in steps of 0.5 minutes for the after-running time and in steps of 50 hours for the other wearing parts such as the low-pressure lamps.

Service Menu 2

!!! Warm Air Recirculation		
Set by the operator	Position of outgoing air flap	Effects
Setting has no effect! See below!!!		

Table 1.2

!!! These possible settings indicated by three exclamation marks do not have any effect on the unit since these functions are not available on this unit.

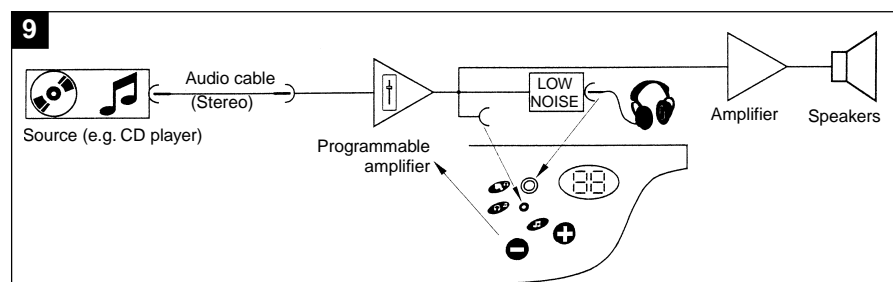
Reassembling the Unit

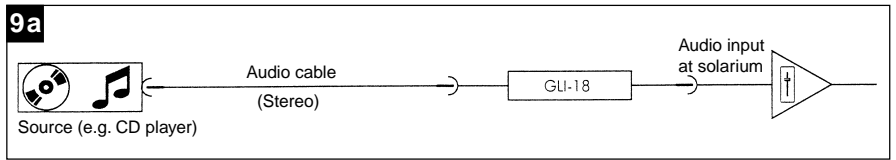
1. Mount the large cover in front of the base.
2. Install the bed panel.

5.2 Sound System (only applies to units equipped with speakers)

Audio input level

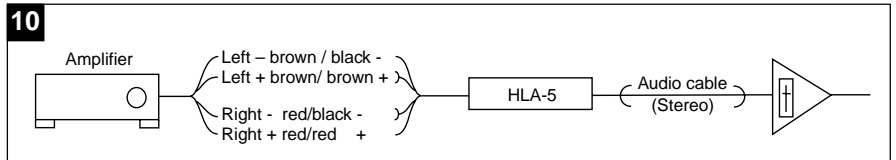
There are two audio sockets (44/5) for the two stereo channels on the front of the unit at the head end through which you can feed a non-amplified audio signal. Cassette recorders and CD players provide a suitable signal for this. An input voltage of 2 V_{eff} is required to achieve the full volume level. The maximum permissible upper limit for the input signal (overload limit) is 3 V_{eff}.





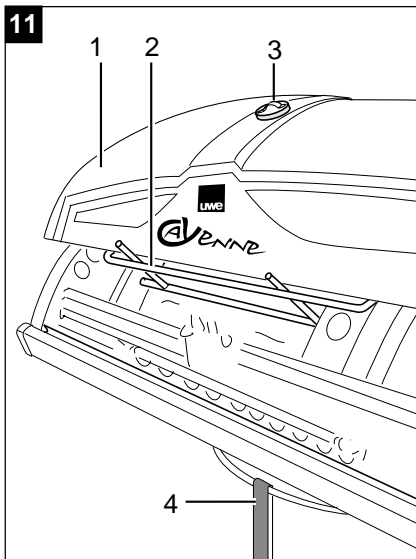
Eliminating Humming Noises

If you connect several solariums to one audio system in parallel, you may hear a constant humming sound with a frequency of 50 hertz (mains frequency) caused by the power installation on your premises. You can eliminate this problem by installing the transformer (GLI-18, ID. No. 249 920) which works as an electrical isolator between the audio ground and the protective conductor.



Operating the Audio System with Speaker Signals

If you previously used speakers in your studio rooms, which were supplied with a signal from an output amplifier, you will overload the audio input if you now connect the solarium to the existing signal. You will need to install a level adapter (HLA-5, ID. No. 249 938), which reduces the signal to a compatible level. The maximum load for the adapter is 20 watts for each channel.



6 SERVICING AND MAINTENANCE



Always unplug the unit from the mains!

Warning

The operator must ensure that the unit is always operated in perfect condition.

Ensure the technical equipment is serviced and checked regularly.

Additional measures such as preventing unauthorized access are required when repairing or restarting the unit after servicing.

Only authorized persons may work on the unit, please contact your specialist dealer or uwe.

Do not use work procedures, which impair the safety of the unit.

Always obtain original spare parts from your specialist dealer or uwe. No liability is assumed if other lamps or starters are installed other than original parts.

Do not operate the unit without the acrylic panels.

When working on the canopy the large covering panel (11/1) can be supported on a bar (11/2) so that you do not have to remove the covering panel completely.

When maintaining the unit, do not pull out the bed panel until you have unlocked the side tanner acrylic panel and placed it on the bed panel.

Always adjust the canopy to the lower position (unit closed) using the strap (11/4) before lifting the large cover (11/1) of the canopy. Otherwise the cover may become damaged.

Warning!

The canopy is secured by a stay.

6.1 Exchanging the Acrylic Panel

The acrylic panels are special panels with high UV permeability. Never replace the acrylic panels, therefore, with window glass or commercial Plexiglas because these partially or completely filter out the UV rays. Always obtain the original acrylic panels from your specialist dealer or the unit manufacturer. On delivery, the replacement acrylic panel is covered on both sides with protective laminate. Remove this protective laminate before use in the tanning unit. Do not operate the unit without the acrylic panels, this no longer ensures that the lamps are cooled.



The manufacturer assumes no liability for damage.

Warning

The acrylic panel of the canopy, side tanner and bed panel are frosted on one side (**LIGHT GLASS**).

1. During installation ensure that the frosted side of the acrylic panel always faces the lamps.
2. Do not polish the frosted side of the acrylic panel with polish.

6.1.1 Bed Acrylic Panel/Side Tanner Acrylic Panel

A rail connects the upper bed panel and the acrylic panel of the side tanner. There are 2 acrylic panels on top of one another in the bed – the corrugated lower acrylic panel and the upper bed panel.

Bed Panel

1. Take the Allan key (13/3) provided.
2. Using the Allan key, turn the bolt (13/2) of the bed panel (13/1).
3. Do the same with the second bolt.
4. Hold the bed panel (13/1) at the front long side and lift the panel all the way up. The gas pressure spring (14/5) holds the bed panel and corrugated acrylic panel underneath it in this open position. The corrugated acrylic panel now lies freely on the bed and can be removed.
6. **Loosen both gas pressure springs at the upper fixing point (14/2). Both gas pressure springs must be loosened otherwise the bed panel is under tension.**
7. Place the bed panel on the bed.

Side Tanner Acrylic Panel

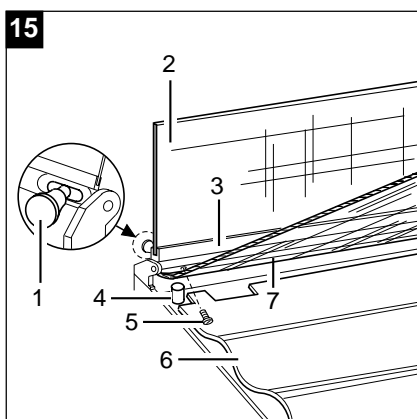
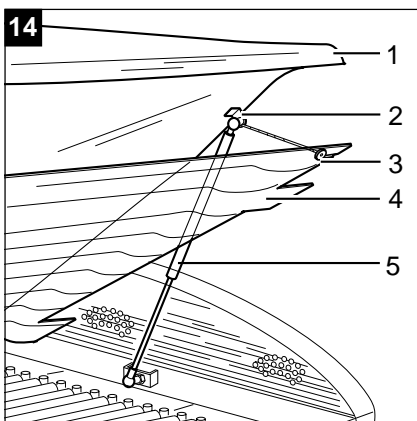
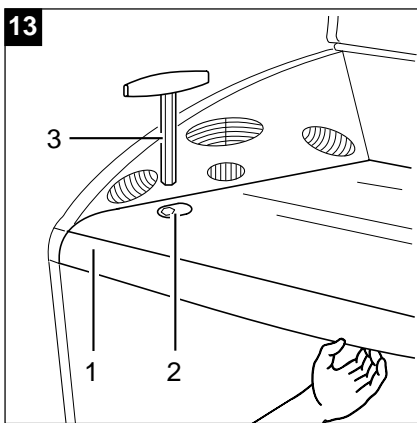
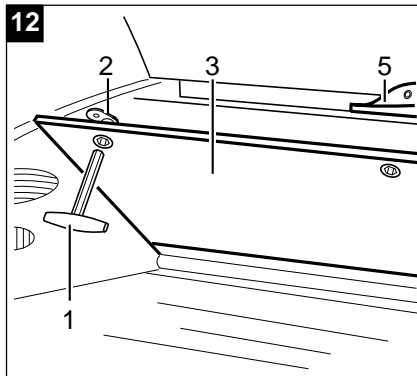
1. Lift the interior control panel (12/5) upwards.
The control panel snaps into place.
2. Take the Allan key (12/1) and turn the three bolts (12/2) to the left.
Warning! The acrylic panel is lowered. Place carefully on the bed panel.

Loosening the unit

1. Turn the bolt (15/1) at the back of the rail (15/3) and push the rail towards the center of the unit.
2. Remove the side tanner acrylic panel (15/2) and bed panel (15/7) together with the rail (15/3).
3. If you wish to separate the bed panel (15/7) from the rail, unscrew the three bolts 4 x 10 (15/5), which are screwed in from below.
The side tanner acrylic panel cannot be detached from the rail.

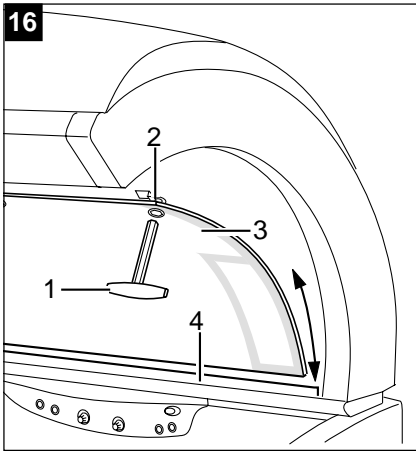
Installing the Acrylic Panels

1. Lay the corrugated bed panel (15/6) on the bed so that the adjusting bolts (15/4) fit in the recesses.
2. If you have detached the bed panel (15/7) from the rail, secure the bed panel by screwing in the three bolts (15/5).
3. Take the entire unit (bed panel, side tanner acrylic panel, rail) and fit it on the main tanning unit.
4. Guide the pins of the bolts (15/1) into the drill holes of the bed frame on both sides.
5. Lock the pins by pushing the bolts (15/1) towards the front part and tightening them.
6. Tilt the bed panel upwards and secure the gas pressure springs (14/5) on both sides to the bed panel (14/1) at the top fixing point (14/2).
7. Lift up the corrugated bed panel and hook the panel into the retaining cables (14/3).
8. Hold the bed panel (13/1) along the front long side and lower it onto the bed.
9. Turn both bolts (13/2) using the Allan key so that the bed panel is secured firmly in place.



Installing the Side Tanner Acrylic Panel

1. Lift up the control panel (12/5).
The control panel locks in position.
2. Lift the acrylic panel towards the side tanner until it touches.
3. Turn the 3 bolts (12/2) to the right using the Allan key (12/1).
6. Fold down the control panel (12/5).
The control panel locks in place.



6.1.2 Canopy Acrylic Panel

Removing the Acrylic Panel

1. Take the Allan key (16/1).
2. Turn the 3 hexagon socket bolts (16/2) using the Allan key (16/1).
3. Tilt the acrylic panel (16/3) forwards.
4. Lift the acrylic panel (16/3) out of the longitudinal groove (16/4).

Fitting the Acrylic Panel

1. Slide the acrylic panel into the longitudinal groove (16/4) according to the screen-printing.
XTT unit: the polished GB area of the acrylic panel is above the high-pressure lamp cassettes.
2. Tilt the acrylic panel (16/3) towards the canopy until it touches.
3. Turn back the 3 bolts (16/2) of the acrylic panel using the Allan key so that the acrylic panel is secured in place.

6.2 Servicing the High-Pressure Lamps

The high-pressure lamps in the canopy are fitted with a special filter glass configuration.

XTT Unit

An XTT filter disk and a transparent filter disk are installed in front of the three high-pressure lamps in the canopy.



Warning

The high-pressure lamps must only be used with the appropriate filter disk configuration for the particular unit you are using. The unit must not be operated if the disks are damaged or missing. Danger of burning! Danger of blinding! If the face tanner is switched on again straight away, depending on the model type, it will either not ignite immediately or will not produce full power as it requires a 4-minute cooling off phase. When replacing the high-pressure lamps, please contact the unit manufacturer or your specialist dealer. No liability is assumed if lamps other than new original lamps are installed.

CAYENNE XTT BREAKSAFE

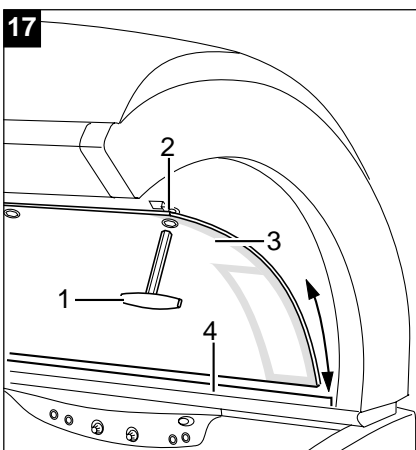
The transparent filter disks over the high-pressure lamps in the canopy are protected by a BREAKSAFE device. If one of the transparent filter disks breaks, the power supply is interrupted and the unit can only be restarted when the filter disk has been replaced with a new one. The XTT filter disks above the three high-pressure lamps must be visually inspected.

6.2.1 Exchanging the High-Pressure Lamps in the Canopy



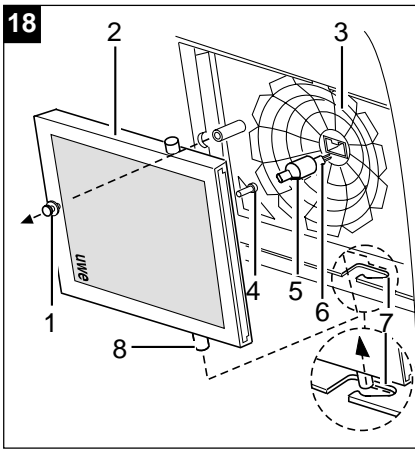
Warning

Warning!
Hold the high-pressure lamp by the rectangular base only. Never pull the high-pressure lamp by the glass bulb. Never touch the glass bulb of the high-pressure lamp with your fingers. If you touch the glass bulb by accident, wipe off the fingerprints with a clean cloth soaked in alcohol.



Removing the Acrylic Panel

1. Take the Allan key (17/1) provided.
2. Using the Allan key (17/1), turn the three hexagon bolts (17/2).
3. Tilt the acrylic panel forwards onto the long side.
4. Lift the acrylic panel out of the longitudinal groove (17/4).



Removing the High-Pressure Lamp

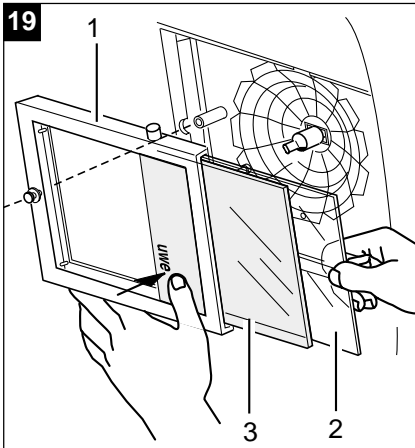
1. Pull the Tenax lock (18/1) of the appropriate lamp housing downwards.
Warning! The disk holder can be lowered around 15 degrees.
2. Hold the disk holder (18/2) with both hands and lift the disk holder a little towards the canopy.
The bolt (18/8) slides out of the fixing point (18/7) on both sides.
3. Pull off the disk holder from the front using both hands.
4. Hold the high-pressure lamp (18/5) by the rectangular base (18/6) and press it out of the socket.

Cleaning the Reflector

1. Clean the reflector (18/3) with a clean cloth soaked in alcohol.

Fitting the High-Pressure Lamp

1. Hold the new high-pressure lamp by the base (18/6).
2. Insert the lamp (18/5) into the holder.



Removing the Filter Disks

1. Take the disk holder (19/1).
2. Hold the disk holder with both hands. Use both thumbs to lift the filter disk over the relevant adjustment mechanism (rivet or angle bracket) and pull out the XTT filter disk (19/3) and transparent filter disk (19/2).

Cleaning the Filter Disks

1. Clean the filter disks with warm water. The water may contain a little detergent.
2. Dry the filter disks with a clean cloth.

Installing the Filter Disks

The canopy must not be used without the filter disks!

The coated side of the XTT filter disk must face the lamp.

It must be possible to read the uwe logo on the XTT filter disk from the bed.

Warning!

When installing the filter disks:

Install the transparent filter disk nearest the lamp and install the XTT filter disk nearest the user.

1. Install the two filter disks in the disk holder as shown in Fig. 19.
2. Push the filter disks over the relevant adjustment mechanism (rivet or angle bracket).
The filter disks clip into place.
3. Hook the complete disk holder (18/2) with cleaned filter disks into the lamp housing.
4. Move the disk holder towards the canopy until it touches the canopy.



The bolt of the micro switch (18/4) for the BREAKSAFE fuse is pressed back.

Function

5. Press the Tenax lock (18/1).
The disk holder locks in place in the lamp housing.

Fitting the Acrylic Glass Panel

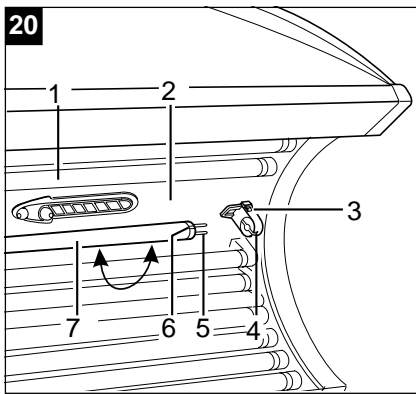
1. Position the acrylic panel (17/3) in the longitudinal groove (17/4) according to the screen printing.
2. Turn back the three bolts of the acrylic panel using the Allan key so that the acrylic panel is secured firmly in position.

6.3 Exchanging the Lamps

Burning-in the Lamps

NOTE

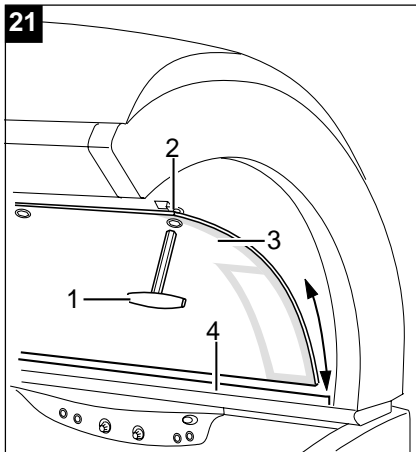
The lamps differ slightly in color to begin with. These differences in color disappear after a short time. The lamps are darker at the ends. This is a physical property and not a fault with the lamp.



6.3.1 Exchanging the Long Sunlamp

Exchanging the Lamp

1. Remove the appropriate acrylic panel (see Section 6.1).
 2. Turn the sunlamp (20/7) in either direction until the contact pins (20/5) can be seen in the groove (20/4) of the lamp holder.
 3. Remove the lamp.
 4. Clean the reflector (20/2) with a cloth soaked in alcohol.
 5. Hold the new sunlamp horizontally so that the contact pins (20/5) are vertically above one another.
 6. Press the sunlamp into the lamp holder in this position. Turn the sunlamp 90 degrees so that the notch (20/6) in the metal ring at the end of the lamp is at the top.
- If using a reflector lamp, the lighter reflector side of the lamp must face the unit and the stamp of the lamp must face the user.**
7. Fit the appropriate acrylic panel.



6.3.2 Exchanging the Illumination Lamps

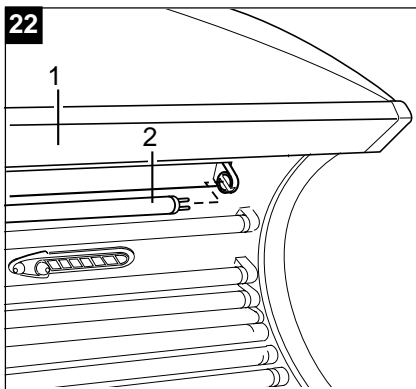
An illumination lamp installed both behind the front canopy bracket and below the front edge of the bed.

• Canopy Illumination Lamps (Standby Light)

The illumination lamps (22/2, 23/7) remain on for as long as the unit is connected to the mains power.

Removing the Acrylic Panel

1. Take the Allan key (21/1).
2. Turn the three hexagon socket bolts (21/2) using the Allan key.
3. Tilt the acrylic panel (21/3) forwards.
4. Lift the acrylic panel out of the rear longitudinal groove (21/4).



Exchanging the Lamp

1. Remove the sunlamp behind the front bracket (22/1).
- The illumination lamp (22/2) is installed below the sun lamps up to the nozzle.**
2. Exchange the illumination lamp (see Section 6.3.1).
3. Fit the sunlamps.

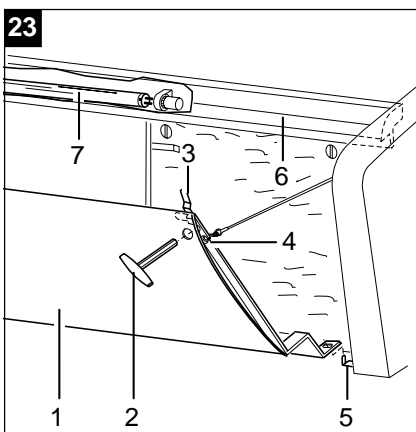
Fitting the Acrylic Panel

1. Slide the acrylic panel into the longitudinal groove (21/4) according to the screen printing.
XTT unit: the polished area of the acrylic panel should be above the high-pressure lamp cassettes.
2. Tilt the acrylic panel (21/3) towards the canopy until it touches.
3. Turn the three bolts (21/2) of the acrylic panel with the Allan key so that the acrylic panel is secured firmly in position.

• Bed Illumination Lamp (FLOORLIGHT)

Lifting the Bed Panel

1. Take the Allan key provided.
2. Using the Allan key, turn the bolt of the bed panel.
3. Do the same with the second bolt.
4. Hold the bed panel at the front long side and lift the bed panel all the way up.

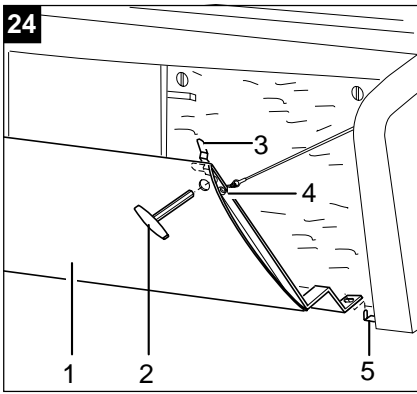


Removing large covering panel in front of the base.

1. Take the Allan key (23/2).
2. Use the Allan key to turn both hexagon bolts (23/3) of the large covering panel towards the center of the unit.
3. Move the covering panel (23/1) slightly forwards.
4. Detach both carabines (23/4) from the covering panel.
5. Lift the covering panel over both pins (23/5) of the base and carefully place it on the ground.

Exchanging the Lamp

1. Look under the front edge of the bed panel (23/6).
This is where the illumination lamp (23/7) is installed.
2. Exchange the illumination lamp (see Section 6.3.1).

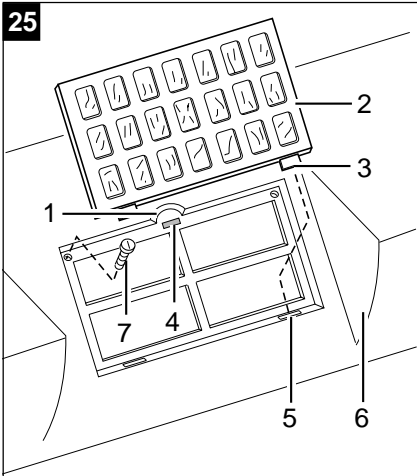


Fitting the Large Covering Panel in Front of the Base

1. Install the covering panel (24/1) with the pins (24/5) of the base in the elongated holes.
2. Tilt the covering panel towards the base.
3. Hook both carbiners (24/4) into the covering panel.
4. Move the large covering panel (31/7) towards the base until it touches the base.
5. Use the Allan key (24/2) to turn the two hexagon bolts (24/3) towards the sides of the base.

Lowering the Acrylic Panel

1. Hold the front long side of the bed panel and push it down onto the bed.
2. Turn back both bolts using the Allan key so that the bed panel is secured in place.



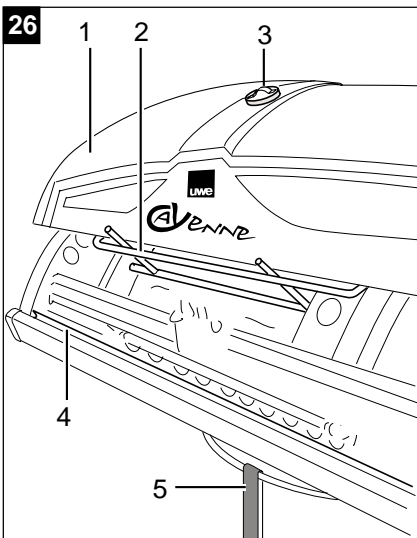
6.3.3 Canopy Effect Light

Removing the Small Canopy Covering Panel

1. Hold the recessed grip (25/1) above the small covering panel (25/2) and lift away the small covering panel.
The magnetic connection (25/4) is released.
2. Guide the tabs (25/3) of the small covering panel (25/2) out of the recesses (25/5) of the large covering panel (25/6).
3. Remove the small covering panel (25/2) from the top.
4. Unscrew the two bolts (25/7).

Lifting the Large Canopy Covering Panel

1. Remove the large covering panel in front of the base.
2. Press down the canopy and secure it in the lowest position using the retaining strap (26/5) (important).
3. Attach the sucker (26/3) to the covering panel (26/1).
4. Tilt the panel upwards until the long side slides out of the front longitudinal beam (26/4).
5. Secure the covering panel in its open position using the retaining clip (26/2).



Exchanging the Effect Light

Seven effect light lamps (27/5) are installed above the front longitudinal beam of the canopy.

1. Exchange the effect light lamp (27/5) (see Section 6.3.1).
2. Move the retaining clip to its rest position.
3. Lower the large covering panel and guide the long edge into the front longitudinal beam of the canopy (26/4).
4. Screw in both bolts (25/7).

Installing the Small Canopy Covering Panel

1. Guide the tabs (25/3) of the small covering panel into the recesses (25/5) of the large covering panel (25/6).
2. Lower the small covering panel (25/2) onto the large covering panel.
The magnetic connection (25/4) engages.

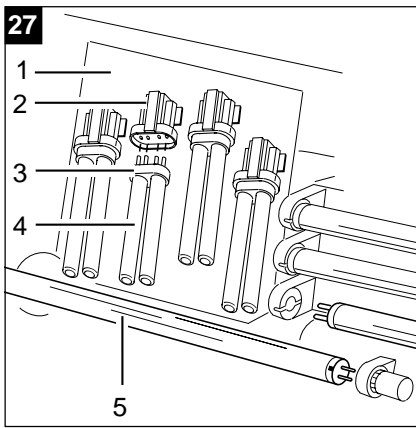
6.3.4 uwe Light Logo in the Center of the Canopy

Removing the Small Canopy Covering Panel

1. Hold the recessed grip (25/1) above the small covering panel (25/2) and lift away the small covering panel.
The magnetic connection (25/4) is released.
2. Guide the tabs (25/3) of the small covering panel (25/2) out of the recesses (25/5) of the large covering panel (25/6).
3. Remove the small covering panel (25/2) from the top.
4. Unscrew the two bolts (25/7).

Lifting the Large Canopy Covering Panel

1. Remove the large covering panel in front of the base.
2. Press down the canopy and secure it in the lowest position using the retaining strap (26/5) (important).
3. Attach the sucker (26/3) to the covering panel (26/1).
4. Tilt the panel upwards until the long side slides out of the front longitudinal beam (26/4).
5. Secure the covering panel in its open position using the retaining clip (26/2).

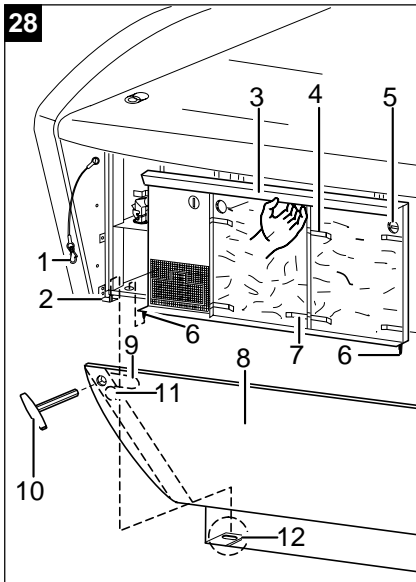


Exchanging the Lamp

1. Hold the defective lamp (27/4) by the base (27/3) only and pull it out of the holder (27/2).
2. Clean the reflector (27/1).
3. Fit the new lamp in the holder.
5. Move the retaining clip (26/2) to its rest position.
6. Lower the large covering panel (26/1) and guide the long edge into the front longitudinal beam of the canopy.
7. Screw in the two bolts (25/7).

Installing the Small Canopy Covering Panel

1. Guide the tabs (25/3) of the small covering panel into the recesses (25/5) of the large covering panel (25/6).
2. Lower the small covering panel (25/2) onto the large covering panel. The magnetic connection (25/4) engages.



6.4 Exchanging the Filter Mats

The air used to cool the unit is passed over micro-filter mats as it enters the unit. These mats filter out fluff, hair, dust particles, etc. to minimize the need for cleaning internal parts such as lamps. These filtered particles block the filter after long-term use and reduce the cooling effect of the unit. You should therefore renew the filter mats from time to time to prevent the unit from overheating. How frequently you should change the filter mats depends on the operating time and amount of dirt.



Only install original filter mats obtained from your specialist dealer or the unit manufacturer.

Function

1. Check the filters after every 200 operating hours.

6.4.1 Filter mats in the Base Casing

Lifting the Bed Panel

1. Take the Allan key provided.
2. Using the Allan key, turn the bolt of the bed panel.
3. Do the same with the second bolt.
4. Hold the bed panel at the front long side and lift the bed panel all the way up.

Removing large covering panel in front of the base.

1. Take the Allan key (28/10).
2. Use the Allan key to turn both hexagon bolts (28/9) of the large covering panel towards the center of the unit.
3. Move the covering panel (28/8) slightly forwards.
4. Detach both carbiners (28/1) from the covering panel.
5. Lift the covering panel over both pins (28/2) of the base and carefully place it on the ground.

Exchanging the Filter Mats

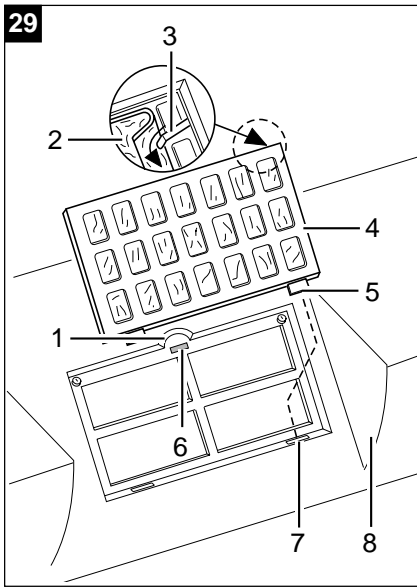
1. Lift the springs (28/4, 28/7) and pull out the filter mat.
2. Take the new filter mat and clamp it securely in place under the springs (28/4, 28/7).

Fitting the Large Covering Panel in Front of the Base

1. Install the covering panel (28/8) with the pins (28/2) of the base in the lower elongated holes (28/12).
2. Tilt the covering panel towards the base.
3. Hook both carbiners (28/1) into the covering panel.
4. Move the large covering panel towards the base until it touches the base.
5. Use the Allan key (28/10) to turn the two hexagon bolts (28/9) towards the sides of the base.

Lowering the Bed Panel

1. Hold the front long side of the bed panel and lower it down onto the bed.
2. Turn back both bolts using the Allan key so that the bed panel is secured in place.



6.4.2 Filter Mats in the Canopy

Removing the Small Canopy Covering Panel

1. Hold the recessed grip (29/1) above the small covering panel (29/4) and lift away the small covering panel.
The magnetic connection (29/6) is released.
2. Guide the tabs (29/5) of the small covering panel (29/4) out of the recesses (29/7) of the large covering panel (29/8).
3. Remove the small covering panel from the top.

Exchanging the Filter Mats

1. Lift the springs (29/3) and pull out the filter mat (29/3).
2. Take the new filter mat and clamp it securely in place under the springs (29/3).

Installing the Small Canopy Covering Panel

1. Guide the tabs (29/5) of the small covering panel (29/4) into the recesses (29/7) of the large covering panel.
2. Lower the small covering panel onto the large covering panel.
The magnetic connection (29/6) engages.

6.5 Stay in the Support Arms

The canopy cannot be lowered again if the stay is activated.



Please contact the uwe Customer Service Department if this happens.

Warning

6.6 Exchanging the BREEZE Module (Optional)

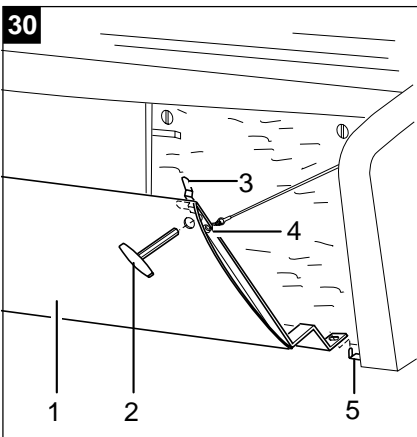
For health reasons, regular tap water or regular distilled water must not be used. Always use the water provided by uwe in the original water canister. This water has been distilled three times and is sterile.

Lifting the Bed Panel

1. Take the Allan key provided.
2. Using the Allan key, turn the bolt of the bed panel.
3. Do the same with the second bolt.
4. Hold the bed panel at the front long side and lift the bed panel all the way up.

Removing large covering panel in front of the base.

1. Take the Allan key (30/2).
2. Use the Allan key to turn both hexagon bolts (30/3) of the large covering panel towards the center of the unit.
3. Move the covering panel (30/1) forwards.
4. Detach both carabines (30/4) from the covering panel.
5. Lift the covering panel over both pins (30/5) of the base and carefully place it on the ground.



Changing the Water Canister

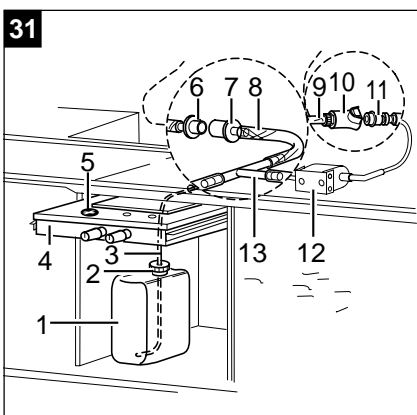
1. Pull the silicone hose (31/3) out of the empty canister (31/1).
2. Unscrew the lid of the full canister and screw the cover (31/2) with the hole and grommet from the empty canister onto the full one.
3. Push the hose (31/3) through the grommet of the new canister until it touches the bottom.
4. Place the canister back into its recess in the base.



Warning! You must now bleed the BREEZE system.

Warning

5. Pull out the drawer (31/4) above the BREEZE canister.
6. Go to Service Menu 2 (see procedure described in Section 5.1) to bleed the system.
7. In the "Bleed BREEZE" position, press the Print button (31/5) (max. 1 minute), until the nozzle produces a fine, cone-shaped spray of water.
Wait 1 minute before restarting the pump of the BREEZE system.



Fitting the Large Covering Panel in Front of the Base

1. Install the covering panel (30/1) with the pins (30/5) of the base in the lower elongated holes.
2. Lower the covering panel towards the base.
3. Hook both carabines (30/4) into the covering panel.
4. Move the large covering panel towards the base until it touches the base.
5. Use the Allan key (30/2) to turn the two hexagon bolts (30/3) towards the sides of the base.

Lowering the Bed Panel

1. Hold the front long side of the bed panel and push it down onto the bed.
2. Turn back both bolts using the Allan key so that the bed panel is secured in place.

7 TIPS FOR RECTIFYING SMALLER FAULTS



Warning

Always unplug the unit before you begin servicing and repair work. Repairs must only be carried out by uwe or authorized persons. Safety features must not be disassembled or put out of operation. The unit must be tested to DIN VDE 0701 and a report written (with carbon copy) after all repair work has been completed. The operator must keep a copy of the report and send a copy to uwe Customer Service Department.

- **Dark spots at the ends of the lamps**

Dark spots, which appear at the ends of the lamps when they are switched off, have no detrimental effect on the performance of the unit. Exchange the starter as a precautionary measure.

- **One or several lamps not lit (change starter)**

Changing the Starter

1. Remove the appropriate acrylic panel.
2. Check if the lamp is inserted correctly.
3. Check the starter is inserted correctly.
4. Remove the starter of the lamp (see Table 2) that does not light by turning it counterclockwise and then reinsert by turning clockwise.
5. If the lamp still does not light up, try inserting the starter of an intact lamp.
6. If this does not work, you must check the lamp.
7. Insert the lamp which does not light into a lamp holder where another lamp functions properly. If the lamp does not light, the lamp is faulty and must be exchanged. If it does light up, however, there is an electrical fault with the unit.



Inspection by uwe or an inspection center named by uwe.

Function

	Starter position	Action
Canopy	At lamp holder	Remove acrylic panel
Side tanner	At lamp holder	Remove acrylic panel
Bed Illumination lamp	At head-end lamp holder At lamp holder	Remove acrylic panel

Table 2

- **The tanning canopy or tanning bed becomes too hot**

1. Check if the air filters (filter mats) are blocked.
2. With direct air return, ensure that the warmed cooling air is carried away properly. The air must not be trapped in the hose or ventilation duct since this can cause the unit to overheat. The outgoing air hose must be laid without kinks.

Information about effective ventilation and air conditioning can be found in the "AIR CONDITIONING TIPS" catalogue available either from us or your specialist dealer.



Inspection by uwe or an inspection center named by uwe.

Function

8 DISPOSAL

Lamps

Fluorescent lamps, high-pressure lamps, and illumination lamps are hazardous waste. They cannot be disposed of with other domestic waste. Local authorities provide information on the disposal of these lamps.

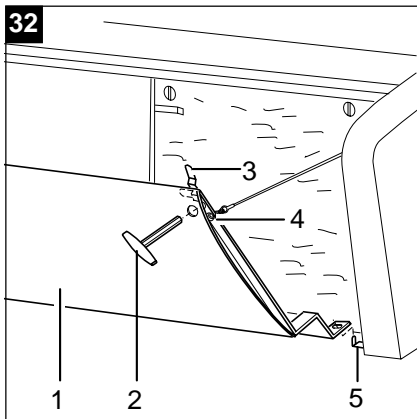
Unit

Faulty units should be disposed of according to local regulations.

INFORMATION FOR THE ENGINEER AND UWE SPECIALIST

9 INSTALLATION OF THE PROFI UNIT

The unit may only be set up by uwe personnel or authorized persons. At least two people are required to set up the unit. The rooms for setting up and operating the unit must be well ventilated or there is a danger of the unit overheating.



9.1 Place of Installation and State on Delivery

The unit is transported and delivered pre-assembled on a pallet. The unit is firmly secured on the pallet with straps and wrapped in protective wrap. The pallet must be unloaded on-site using a hydraulic ramp or fork-lift truck. The unit must be dismantled on the pallet and then transferred to and reassembled at the installation site. All units are intended solely for tanning indoors. The unit must only be operated in areas free from the danger of explosions and in dry rooms. The rooms must be well-ventilated.

9.2 Assembly and Installation

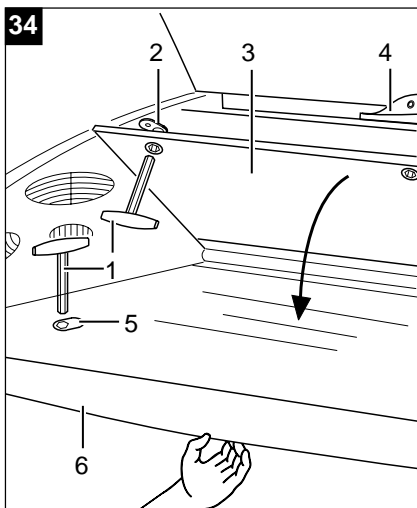
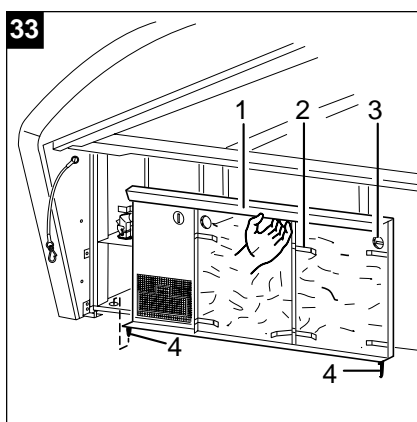
1. Remove the straps and packaging wrap.

9.2.1 Removing the Bed

Removing the Bed Panel /Side Tanner Acrylic Panel

Bed Panel

1. Push up the canopy and remove the head cushioning and other individual removable parts.
2. Take the Allan key (34/1) provided.
3. Using the Allan key, turn the bolt (34/5) of the bed panel (34/6).
4. Do the same with the second bolt.
4. Hold the bed panel (35/1) at the front long side and lift the bed panel all the way up. The gas pressure spring (35/5) holds the bed panel and the corrugated acrylic panel (35/4) below it in this open position.
5. Detach the corrugated bed panel (35/4) from the retaining cables (35/3). The corrugated acrylic panel is now free on the bed and can be removed if necessary to reduce the weight of the unit.
6. **Loosen both gas pressure springs at the top fixing point (35/2). Both gas pressure springs must be loosened otherwise the bed panel is under tension.**
7. Place the bed panel on the bed.



Side Tanner Acrylic Panel

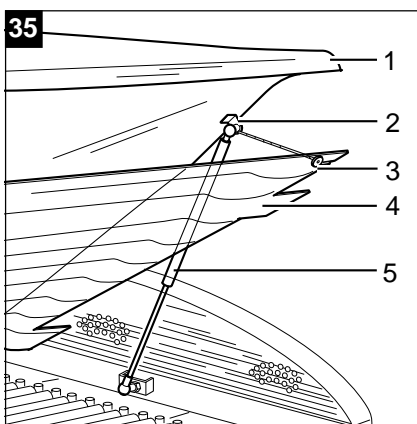
1. Lift the interior control panel (34/4).
The control panel locks in position.
2. Turn the 3 bolts (34/2) to the left using the Allan key (34/1).
Warning! The control panel is lowered. Carefully place on the bed.

Detaching the unit

1. Turn the bolts (36/3) on the back of the rail (36/4) and push the bolts towards the center of the unit.
2. Remove the complete unit with the side tanner acrylic panel (36/1), bed panel (36/8) and rail (36/4).

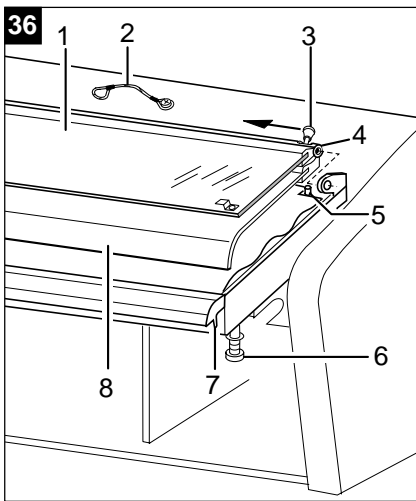
Removing large covering panel in front of the base.

1. Take the Allan key (32/2).
2. Use the Allan key (32/2) to turn both hexagon bolts (32/3) of the large covering panel (32/1) towards the center of the unit.
3. Lower the covering panel (32/1) forwards slightly.
4. Detach both carabines (32/4) from the covering panel.
5. Lift the covering panel over both pins (32/5) of the base and carefully carry it to the place of installation.



Removing both Filter Frames

1. Turn the slots of the bolts (33/3) so that they are horizontal.
2. Hold the filter frame by the handle (33/1).
3. Lift the filter frame with its pilot pins (33/4) out of the drilled holes
4. Place the filter frame with its pilot pins on the floor.
5. Guide the filter frame downwards and out.
6. Remove the second filter frame in the same way.
7. Take both filter frames to the installation site.



Pull out the Bed



Warning:

The side tanner acrylic panel must be released and folded down onto the bed panel or disassembled as a unit before you pull out the bed.

Warning

1. Unscrew the two bolts 6 x 16 (36/6) slightly on the underside of the bed.
2. Pull out the bed as far as it will go using the front shaped edge of the bed panel (36/7).
3. Loosen the retaining cord (36/2) on one side on the back of the bed.
Warning! Do not pull on the illumination lamp (FLOORLIGHT) by mistake.
4. Pull out the bed further and lift up the bed with the help of a second person.
5. Carry the bed to the installation site.

9.2.2 Removing Boards and Air Conditioning Unit (if installed)

Separating the Plug-In Connections

1. Remove the bracket (37/3) and holder (37/4) that secures the cable.
2. Unscrew the bolts (38/4) at all three cable brackets (38/3).
3. Remove the cable brackets (38/3) together with the connectors (38/5).
4. Pull the three connectors (38/5) out of the three sockets (38/6).
5. Pull the connectors (38/15) out of the sockets (38/16) that are fixed to the control board.
Do not disconnect the power cable from the control board (38/1).
6. Separate all other plug connection connections between the unit and boards (see Table 3, Section 9.3.5).
7. Remove the cable connector (see Table 3.1 Section 9.3.5) from the main processor board (38/18).

Removing the Boards and Air Conditioning Unit (if installed)

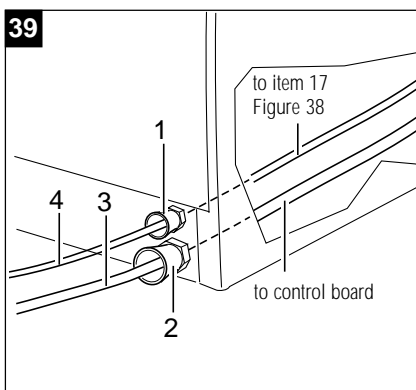
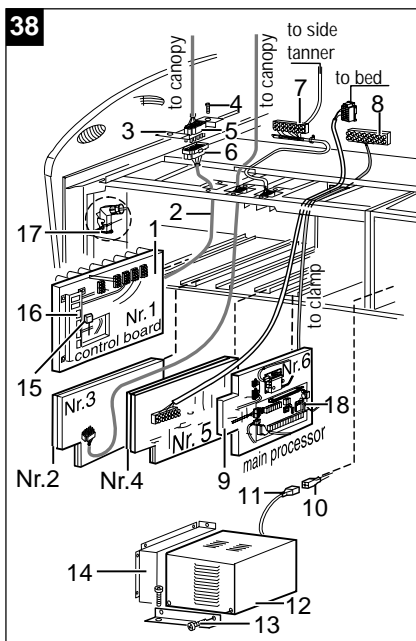
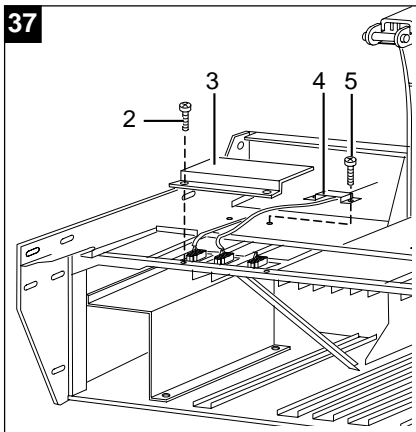
1. Remove the retaining frame (38/13) and sealing plate (38/14) in front of the air conditioning unit.
2. Pull out the air conditioning unit (38/12) slightly.
3. Disconnect the 3-pin coupling (38/11) of the air-conditioning unit from the coupling (38/10) coming from the clamp in the right side of the base.
4. Pull the 4 boards (nos. 2-5) and the board with the main computer board No. 6 (38/9) out of the slots.

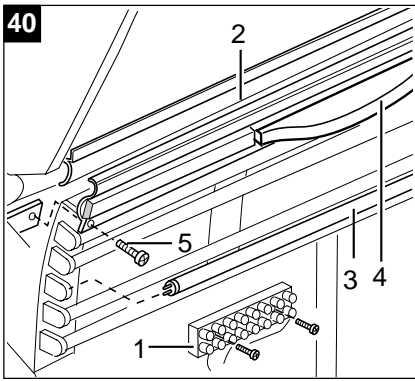


The mains cable (39/3) is guided out of the back of the base by means of a pressure screw.

Function

5. Slacken the retaining clip of the large pressure screw (39/2) on the back of the unit.
6. Thread the mains cable (39/3) into the unit.
7. Remove the control board (38/1) and mains cable.
8. Slacken the retaining clip on the small pressure screw (39/1).
9. Pull the coding cable (39/6) through into the unit.

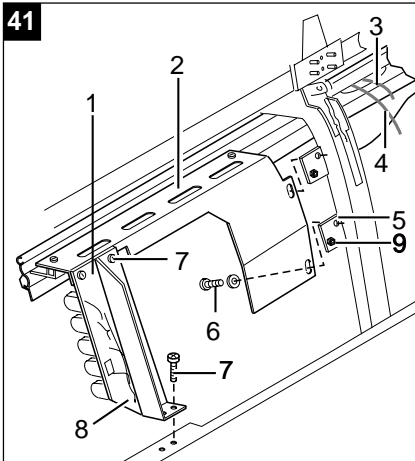




9.2.3 Removing the Side Tanner

Removing the Side Tanner

1. Remove the lamps (40/3) of the side tanner.
2. Detach the clamp (40/1) mounted on the left-hand side of the back of the base casing by unscrewing the two bolts.
3. Detach the lamp holder carriers (41/1, 42/5) on both sides by unscrewing the bolts (41/7, 42/6).
4. Place both lamp holder carriers (41/1, 42/5) on the base with the cable on the inside.
5. Unscrew the countersunk bolts (40/5) on both sides that are screwed through the channel of the side tanner in the side base cover panels.
6. Unscrew the 2 bolts (41/6, 42/1) 8 x 15 with washers on each side from the inside of the unit that secure the holders (41/2, 42/3) in the brackets of the moving mechanism.
You do not need to remove the threaded pin bolts also screwed into these brackets from the back. These bolts are only required for adjustment during assembly.
7. Carefully guide out the channel (42/4) with the interior control panel and cable (41/3, 41/4) and holders (41/2, 42/3) between the side parts and carry this unit to the installation site.



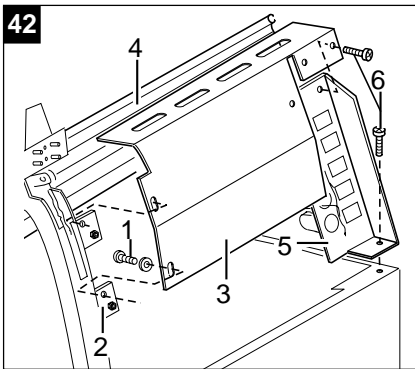
9.2.4 Removing the Outgoing Air Unit

Loosening the Expansion Bellows

1. Loosen the spring clips (43/2) secured to the lower side of the expansion bellows.
2. Push the expansion bellows upwards.

Removing the Air Duct

1. Loosen the 3 accessible bolts (43/3).
2. Remove the air duct (43/4).



Removing the Outgoing Air Duct

1. Unscrew the bolts (43/7) from the outgoing air duct.
2. Carry the outgoing air duct (43/5) to the installation site.

Remove the cover plate and guide plates at the rear of the unit

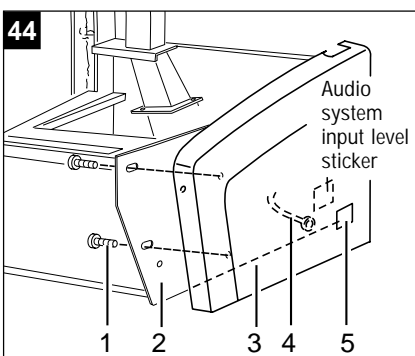
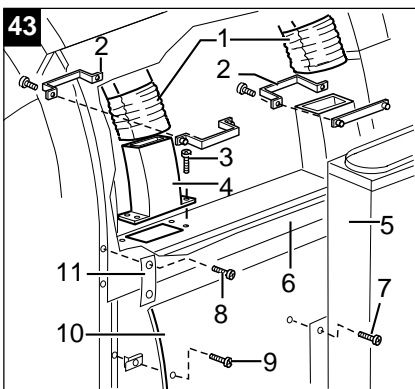
1. Unscrew the bolts (43/8).
2. Carry the cover plate (43/10) to the installation site.
3. Remove the two guide plates (43/11) for the louvre.

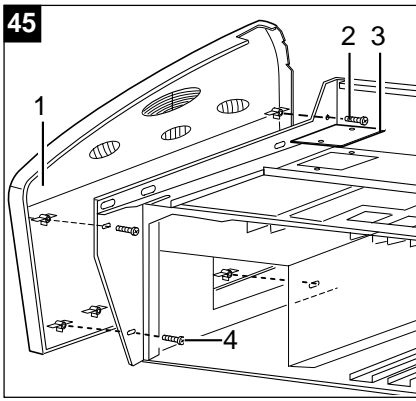
9.2.5 Removing the Casing

All the plastic casing parts of the base are fastened to the base by metric bolts 6 x 20.

Removing the Base Casing

1. Unscrew the 6 bolts (44/1) from the base and remove the complete side section (44/3).
2. Leave the speaker cables (44/4) attached to the side casing and pull the cable through with the side casing.
3. Remove the covering panel (45/3) at the foot-end of the unit.
4. Reach through the opening and unscrew the 8 bolts (44/2, 44/4) from the base and remove the left side section (45/1) completely.





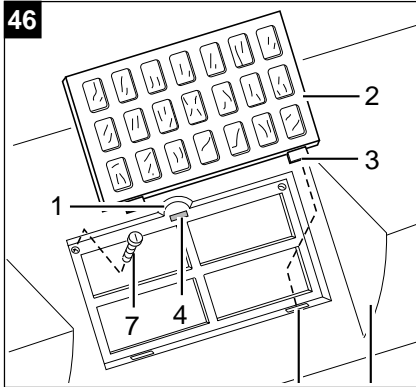
9.2.6 Removing the Canopy

Removing the Small Canopy Covering Panel

1. Hold the recessed grip (46/1) above the small covering panel and lift away the small covering panel.
The magnetic connection (46/4) is released.
2. Guide the tabs (46/3) of the small covering panel (46/2) out of the recesses (46/5) of the large covering panel (46/6).
3. Remove the small covering panel from the top.
4. Unscrew the bolts (46/5).

Lifting the Large Canopy Covering Panel

1. Attach the sucker (47/3) to the covering panel (47/1).
2. Lift the covering panel upwards until the long side slides out of the front longitudinal beam of the canopy (47/4).
3. Remove the covering panel.
4. Remove the louvre (43/6) together with its mounting rail (6 bolts).



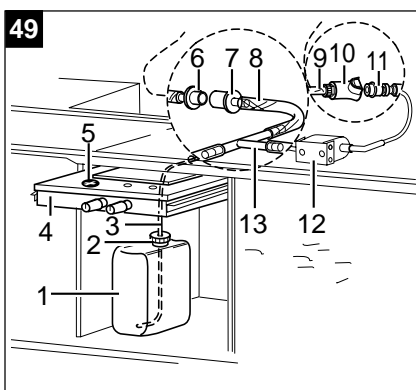
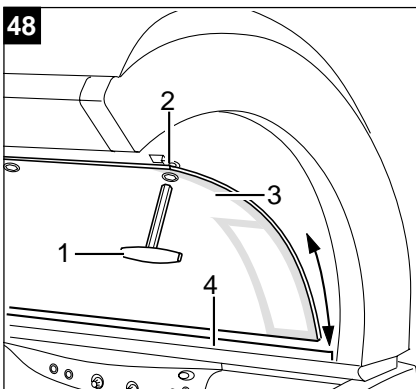
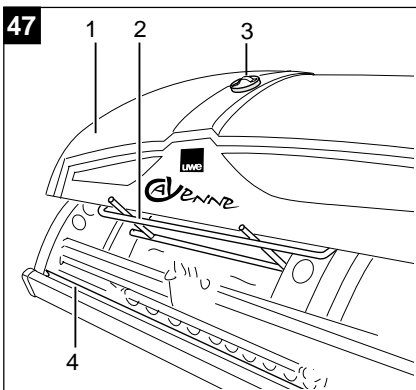
Removing the Acrylic Panel

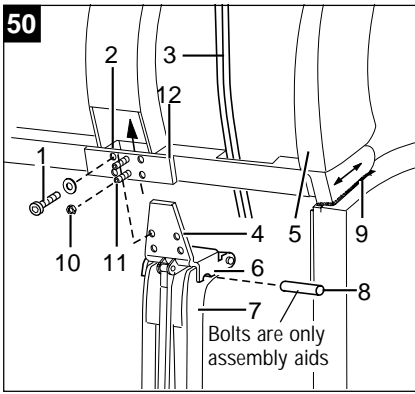
1. Take the Allan key.
2. Turn the three hexagon socket bolts (48/2) using the Allan key (48/1).
3. Tilt the acrylic panel forwards.
4. Lift the acrylic panel out of the rear longitudinal groove (48/4).

Disconnecting the BREEZE Lines (if BREEZE module is installed)

The BREEZE unit in the base is connected to the pump in the canopy by a black PA line (49/9) and to the nozzle in the canopy by a light silicone line (49/8).

1. Press the silver-colored slider of the coupler (49/10).
2. Pull out the connector (49/11).
3. Pull apart the two parts (49/6, 49/7) of the hose connection.





Removing the Canopy

Some tips for easier canopy removal:

1. Press down the canopy.
2. Push a 7 mm diameter pin (50/8, ID No. 260 551) through the slot in the mechanism (50/6) on each retaining bracket.



The 2 pins are assembly aids only and must be removed once the canopy is assembled.

Function

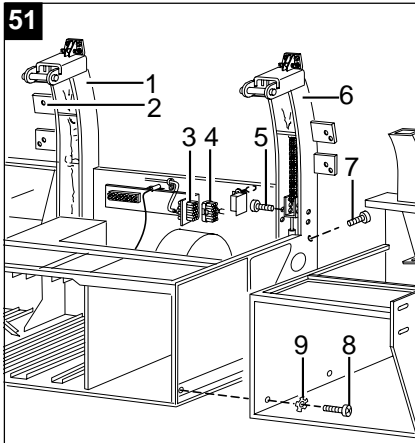
Next steps

3. Remove the nuts (50/10) on both sides and unscrew the threaded pin (50/11) until the tip no longer protrudes over the inner side of the bracket (50/12).
4. Unscrew the 8 pan head bolts 8 x 20 (50/1) and washers.
5. Lift up the canopy over the retaining brackets (50/7).
6. Take the canopy to the installation site.



Take care not to damage the aluminum panel (40/2) when placing the canopy on the floor.

Function



9.2.7 Removing the Base

Separating the Base Sections

The base housing consists of 2 sections, which are held together by bolts.

1. Separate the plug connection (51/3, 51/4) between the right and left sections of the base.
2. Remove the 6 bolts 6.3 x 16 (51/8) with their lock washers (51/9).
3. Carry the 2 base sections to the place of installation.

Removing the Retaining Brackets

(if necessary due to the shape of the building)

1. Remove the bolts (51/5, 51/7) that are screwed into the retaining arms at the side and rear.
2. Remove the retaining brackets by lifting upwards.

9.2.8 Installing the Outgoing Air Duct

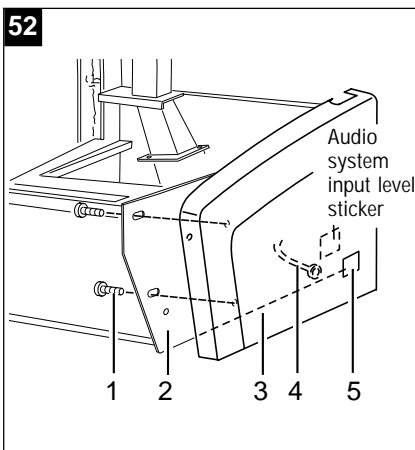
Installing the Outgoing Air Duct

1. Install the outgoing air duct (43/5) in the center and at the back of the tanning room.

9.2.9 Fitting the Base

Fitting the Base

1. Arrange both parts of the base in the tanning room as shown in Figure 51.
2. Connect the parts of the base using the 6 bolts 6.3 x 16 (51/8) and lock washers (51/9).
3. Connect the plug connection (51/3, 51/4) between the right and left parts of the base.



Fitting the Retaining Brackets (if removed previously)

1. Guide the retaining brackets (51/1, 51/6) from above into the appropriate slots of the base.

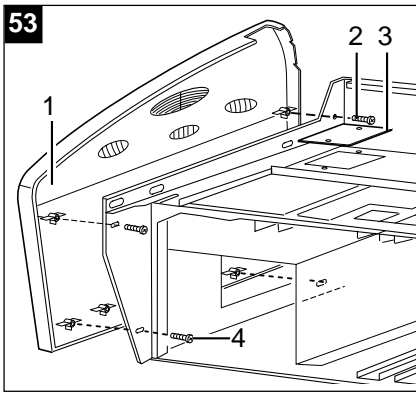
The retaining brackets (51/2) for the side tanner should face outwards.

2. Secure the retaining brackets from behind using 3 bolts M 10 x 16 (51/7) and from the side using 4 bolts M 10 x 10 (51/5).



Ensure that you screw in the short bolts from the side so that the movement of the mechanism is not limited

Warning



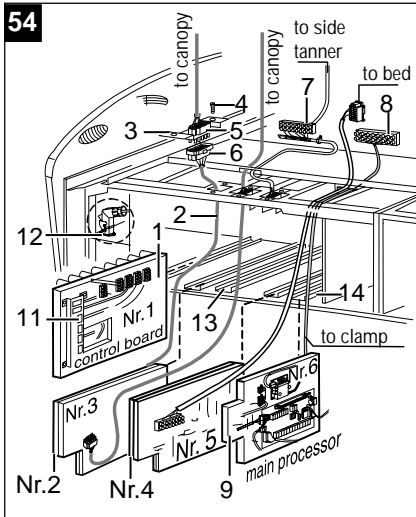
9.3 Fitting the Casing



The plastic casing sections around the base are secured by metric bolts 6 x 20 which are screwed in from inside the base. Ensure that you insert the bolts vertically and screw them in vertically.

Function

1. Pull the 5-pin white speaker cable (52/4) in through the grommet of the right base casing wall and pull the connector through to the right slot (54/14).
2. Position the head-end side section (52/3) flush with the base and screw in the six bolts (52/1) from inside the base.
3. Position the foot-end side section (53/1) flush with the base and screw in the 8 bolts (53/4) from inside the base or through the slot of the covering panel.
4. Fit the covering panel (53/3).



9.3.1 Fitting the Boards and Air Conditioning Unit

Inserting the Boards

The control board (54/1) has components on both sides.

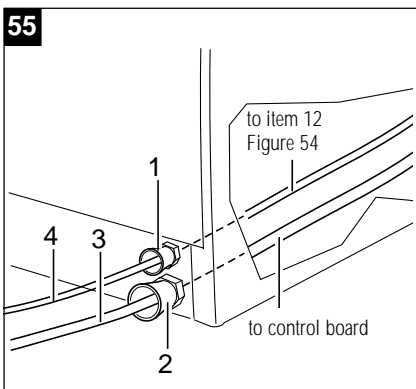
1. Insert the control board in the left-hand slot. The capacitors point to the left.
2. Thread the mains cable (55/3) from the control board through the large pressure screw (55/2) to the outside of the unit.
3. Tighten the clip on the pressure screw (55/2).
4. Check that the coding cable (55/4) is threaded through the small pressure screw (55/1), that the clamp of the pressure screw is tightened, and that the coding plug (54/12) is inserted and locked in the socket.
5. Insert the boards numbered 2 - 5 into the slots according to the numbering from left to right (Figure 54).

The recesses in boards 2 - 5 must always be at the front lower corner.

The slot (54/13) in the center remains free.

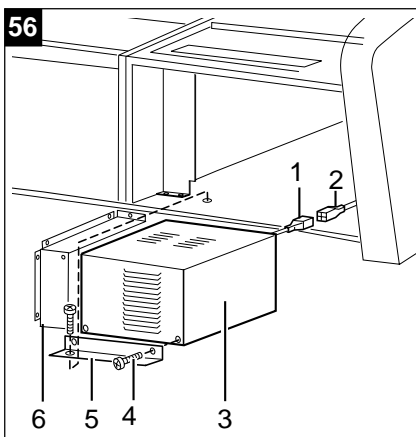
6. Insert the board (54/9) with the main processor board in the slot furthest to the right.
7. Pull the 29-pin connector X14 of the clamp (54/8) at the rear center of the base forwards through the square opening and plug the connector into the socket that is attached to the left side of the board (54/9).

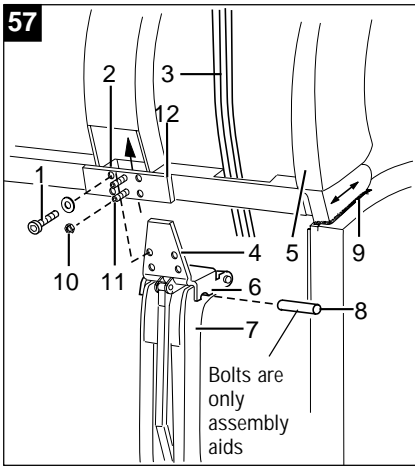
The main processor printed circuit board is installed on the right-hand side of the main processor board.



Inserting the Air Conditioning Unit (if available as an accessory)

1. Connect the 3-pin coupling (56/1) of the air-conditioning unit (56/3) to the coupling (56/2) from the clamp in the right hand part of the base.
2. Push the air-conditioning unit all the way back into the recess and to the right until it touches the rubber seal of the black covering panel.
3. Adjust the position of the air conditioning unit with the sealing plate (56/6) and mounting bracket (56/5).





9.3.2 Fitting the Canopy

Fitting the Canopy

1. Lift the canopy.
2. Hold the canopy above the retaining brackets (57/7).
3. Insert the lugs (57/4) on the retaining brackets into the holes (57/2) of the canopy.



Take care not to damage the aluminum rail (64/2)!

Function

4. Screw in the four bolts 8 x 20 (57/1) on each side with washers.



Ensure that the bolts are tight.

Warning

5. Check the alignment of the canopy in relation to the side casing of the base. The black brush seal (57/9) of the base side casing must gently touch the casing of the canopy (on both sides).

If this is not the case, please adjust the canopy on the appropriate side.

6. Unscrew the bolts (57/1) a little to do this.
7. Using a wrench, screw in both threaded bolts M 8 x 25 (57/11) to move the canopy towards the back of the unit.
Unscrew both threaded bolts M 8 x 25 (57/11) to move the canopy towards the front of the unit.
8. Screw the hexagon nuts M 8 (57/10) onto the threaded bolts (57/11) and tighten.
9. Tighten the 4 fixing bolts (57/1).



Ensure that the bolts are tight.

Warning

If you followed the previous mounting suggestion:

1. Press down the canopy.



Remove the 2 pins (57/8) that you pushed through the holes in the retaining brackets.

Function

Next steps

Fitting the Air Duct

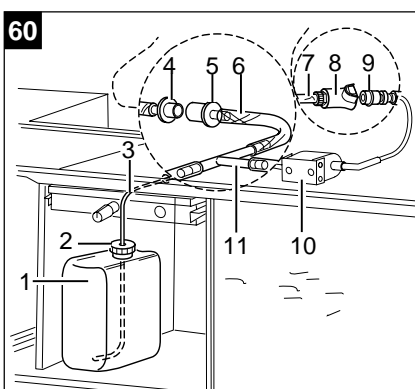
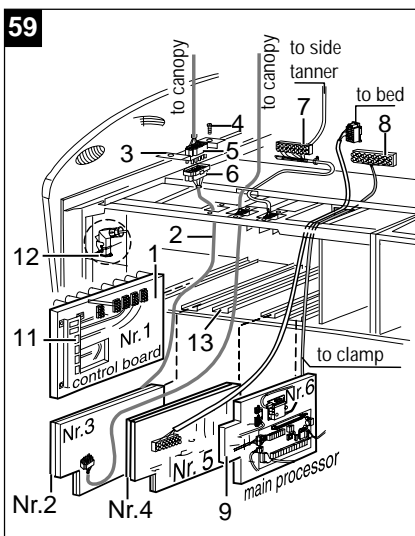
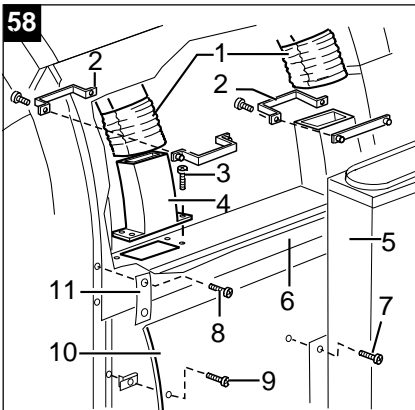
1. Fit the air duct (58/4).
2. Screw in the 3 accessible bolts (58/3).

Fitting the Bellows

1. Pull the bellows down (58/1).
2. Fasten the bellows to the air ducts using the appropriate spring clips (58/2).

Pulling the Cables Through

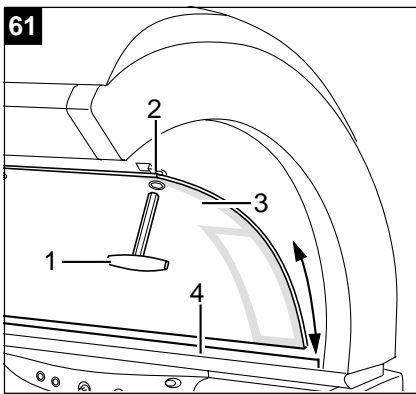
1. Pull the two canopy cables (57/3) through and down.
2. Attach the two holders (59/3) with the connectors X10 and X11 in the base using 2 screws each (59/4) according to the numbering in the holes.



BREEZE (if the BREEZE Option is available)

The BREEZE unit in the base is connected to the pump in the canopy by a black line (59/7) and to the nozzle in the canopy by a light silicone line (59/6).

1. Connect the coupler (60/8) and connector (60/9). The coupler and plug must audibly engage.
2. Connect the plug connection (60/4, 60/5) of the light silicone line.
3. Stand the canister in the designated place in the base.
4. Unscrew the lid of the full canister and screw the cover with the hole and grommet (60/2) onto the full canister.
5. Push the hose (60/3) through the grommet of the canister until it touches the bottom of the canister.

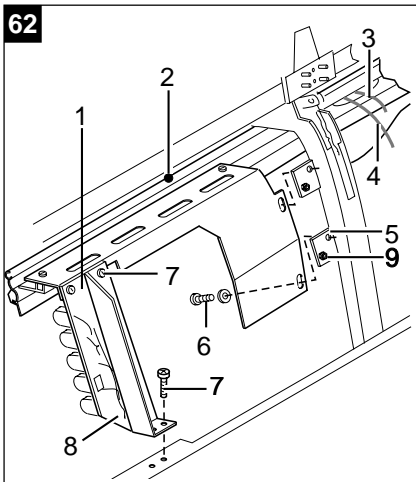


Fitting the Acrylic Panel

1. Slide the acrylic panel into the longitudinal groove (61/4) according to the screen printing.
XTT unit: the polished area of the acrylic panel should be above the high-pressure lamp cassettes.
2. Tilt the acrylic panel (61/3) towards the canopy until it touches.
3. Turn the three bolts (61/2) of the acrylic panel with the Allan key (61/1) so that the acrylic panel is secured firmly in position.

9.3.3 Fitting the Side Tanner

Mounting the Side Tanner



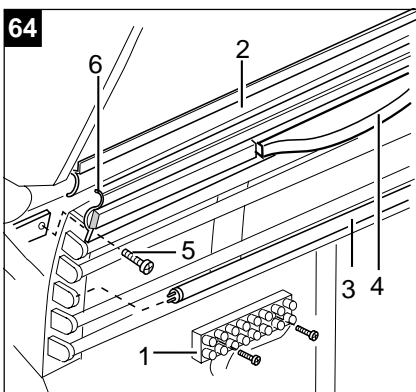
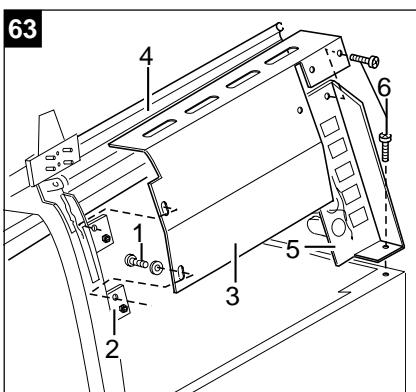
1. Lift the channel (62/2) and interior control panel with cable (62/3, 62/4) and brackets (62/1, 63/3) with the help of a second person and line up the two holes of the frame with the holes of the two brackets of the mechanism.
2. Screw in the 4 bolts 8 x 15 (62/6, 63/1) with washers (thick washers) from the inside of the tanning area.

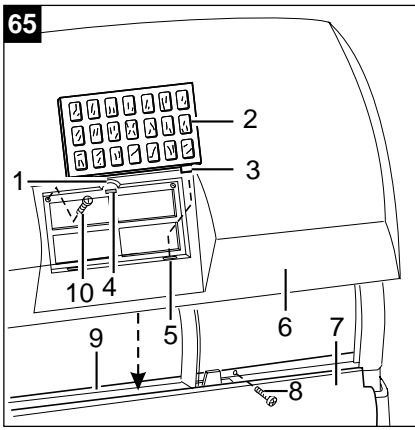
Ensure that the bolts are tight.

3. Secure the two lamp holder carriers (62/8, 63/5) with the wiring harness using the bolts (62/7, 63/6).
4. Install the clamp (64/1) in the designated holes in the left base.
5. Screw in a bolt (64/5) on each side through the channel of the side tanner into the side casing of the base.
6. Pull the cable with connector X12 from the clamp (64/1) further forwards.
7. Secure the bracket (67/7) with the connector X12 in the appropriate slots in the base using 2 screws for each.
8. Pull the 2 cables (62/3, 62/4) of the interior control panel through the round opening in the base and plug them into the corresponding sockets of the main processor board (Figure 67).
9. Adjust the position of the side tanner so that the light gasket (64/6) of the side tanner channel presses gently against the aluminum panel of the canopy (seals) and that these two parts are installed parallel to one another.
10. Unscrew the two bolts (62/6, 63/1) slightly to do this and tighten the relevant threaded pin bolts (62/9, 63/7).

Make sure that the bolts (62/6, 63/1) are tight again after adjusting the position of the side tanner.

11. Lift the interior control panel and install the lamps.
12. Install the bracket (67/9) over the plug connections.
13. Fasten both cables of the canopy and the side tanner cable to the base using the bracket (67/8).





9.3.4 Mounting the Covering Panels in the Canopy, Louvre and Outgoing Air Chimney

1. Secure the louvre (65/7) with its mounting rail (65/9) to the frame of the canopy from the back using six bolts (65/8).

Mounting the Covering Plate

1. Secure the covering plate (66/10) to the side casing using 2 bolts (66/9) and to the base at the bottom using 4 bolts.
2. Secure both guide brackets (66/11) for the louvre using the bolts (66/8).

Mounting the Outgoing Air Chimney (66/5)

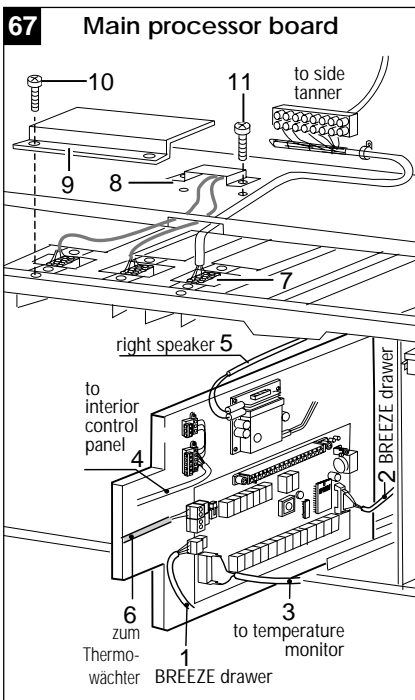
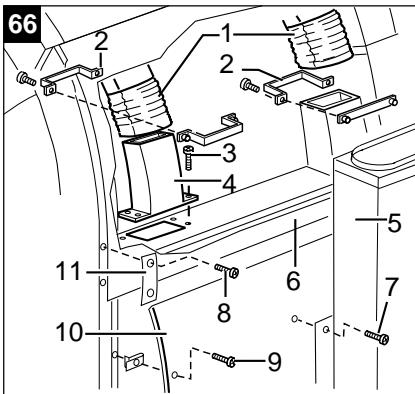
1. Mount the outgoing air chimney (66/5) using the bolts (66/7).

Mounting the Large Canopy Covering Panel

1. Stand in front of the unit and press the canopy down.
2. Guide the covering panel (65/6) with the rear long side of the covering panel into the longitudinal groove of the mounting rail (65/9).
3. Press back the covering panel and insert the front longitudinal edge into the front longitudinal beam of the canopy.
4. Place the covering panel on the canopy.
5. Screw in the bolts (65/10).

Fitting the Small Canopy Covering Panel

1. Clip the tabs (65/3) of the small covering panel into the recesses (65/5) of the large covering panel (65/6).
2. Lower the small covering panel onto the large covering panel.
The magnetic connection (65/4) engages.
4. Screw in the bolts (65/10).



9.3.5 Connecting the Plug-In Connections

1. Connect all plug connections except the bed – bed board X9 plug connection.
2. The plug connections can be found in Table 3 and 3.1
3. As you connect the plug connections, pull the plug connections along the front slots of the boards.

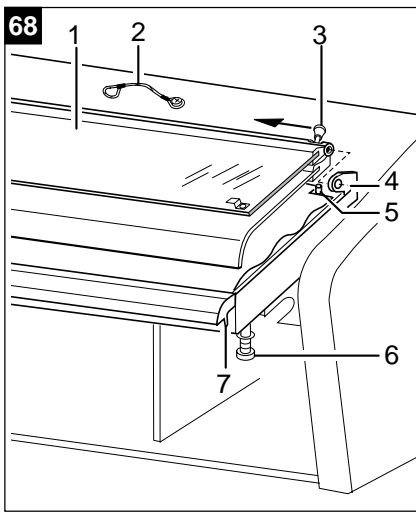
	Control board	Canopy board	Canopy board	Side tanner board	Bed board	Main processor board
	No. 1	No.2	No.3	No.4	No.5	No. 6
Canopy		X10, 29-pin	X11, 29-pin			
Side tanner			X12, 29-pin			
Bed					X9, 29-pin	
Control board Left slot		X2, 18-pin	X3, 18-pin	X4, 18-pin	X6, 9-pin	X1, 29-pin
Board No. 4			X13, 9-pin			
Board No. 3				X13, 9-pin		
Clamp Rear base center						X14, 29-pin
Base, far left above small fan	X7, 29-pin					

Table 3

Plug connections to main processor circuit board on main processor board

	Main processor circuit board	No. In Figure 67
Drawer above BREEZE	3-pin black cable	1
Drawer above BREEZE	multi-pin white cable	2
Interior control panel	multi-pin white cable	3
Interior control panel	6-pin gray cable	4
Base speaker Right side casing	5-pin white cable	5
Rear center base temperature monitor	3-pin gray cable	6

Table 3.1



9.3.6 Fitting the Bed

Inserting the Bed

1. Pull the cable with socket X9 of the bed board (no. 5) backwards through the square opening into the base.
2. Position the bed so that the back third of the bed is resting on the base.

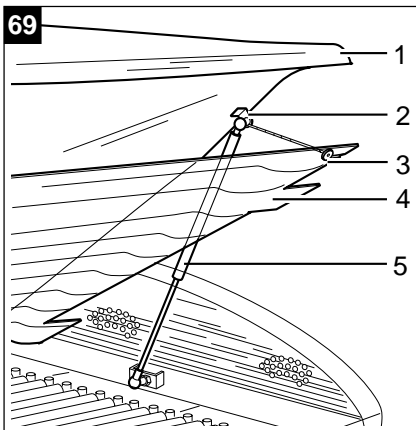


Warning:

Take care not to trap the bed cable. The cable must drop into the base.

Warning Carefully push in the bed. Do not damage the ventilation grill of the vertical casing section at the foot of the bed.

3. Using the front edge of the bed (68/7), push the whole bed back a little as if you were pushing in a drawer.
4. Attach the retaining cord (68/2) to the back of the bed.
5. Plug the 29-pin cable and connector of the bed into the 29-pin socket X9 of the bed board.
6. Push the bed back as far as it will go.
7. Tighten down the bolt 6 x 16 (68/6) on each side in the elongated hole.
8. Check that all plug-in modules are pushed all the way back and that all plug connections are connected.

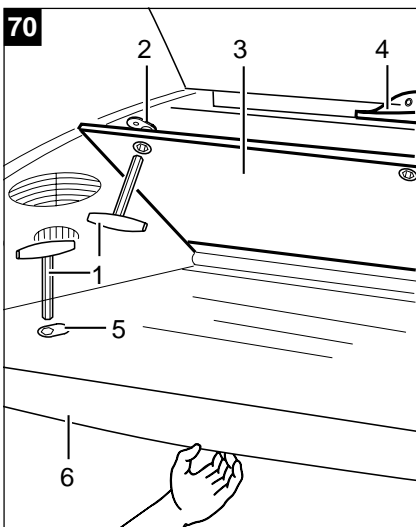


Inserting the Filter Frame

1. Hold the small filter frame by the handle (71/1).
2. Move the handle under the front edge of the bed.
3. Insert the filter frame with pilot pins (71/4) into the drilled holes in the base.
4. Move the filter frame towards the base using the handle.
5. Turn the slot of the bolts (70/2) to the vertical position.
6. Mount the second larger filter frame in the same way on the left in front of the base.

Fitting the Large Covering Panel in Front of the Base

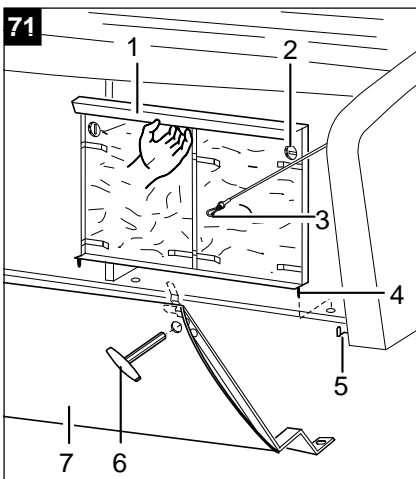
1. Insert the covering panel (71/7) with the pins (71/5) in the lower elongated holes.
2. Raise the covering panel slightly.
3. Hook both carabines (71/3) into the covering panel.
4. Lift the covering panel towards the base until it touches.
5. Use the Allan key (71/6) to turn both hexagon socket bolts towards the side parts of the base.



Fitting the Bed Panel

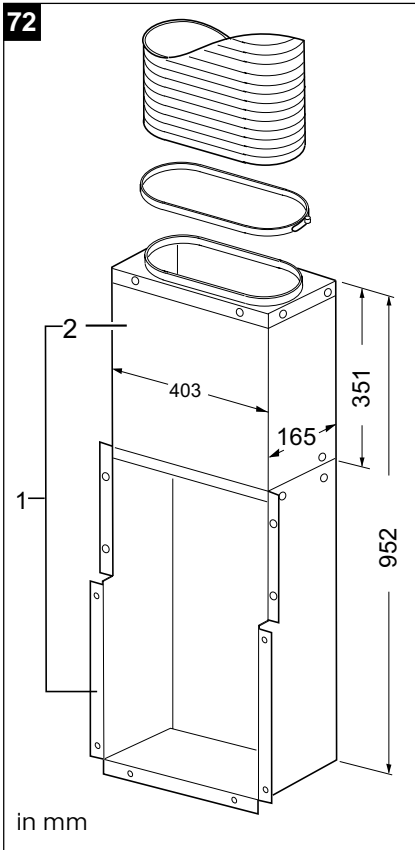
Fitting the Acrylic Panels

1. Position the corrugated bed panel on the bed so that the adjusting bolts (68/5) fit in the recesses.
2. Take the entire unit (bed panel, side tanner acrylic panel, rail) and mount on the tanning unit so that it has a positive fit.
3. Guide the pins of the bolt (68/3) into the holes (68/4) on both sides of the bed frame.
4. Lock the pins by pushing the bolt (68/3) towards the front part and tightening them.
5. Lift the bed panel (69/1) and secure the gas pressure springs (69/5) on both sides to the bed panel (69/1) at the top fixing point (69/2).
6. Lift the corrugated bed panel and hook it into the retaining cables (69/3).
7. Hold the bed panel along the front long side (70/6) and lower it onto the bed.
8. Turn back both bolts (70/5) using the Allan key so that the bed panel is secured in place.



Installing Side Tanner Acrylic Panel

1. Lift up the control panel (70/4).
The control panel locks in position.
2. Tilt the acrylic panel (70/3) towards the side tanner until it touches.
3. Turn the 3 bolts (70/2) to the right using the Allan key (70/1).
6. Fold down the control panel (70/4).
The control panel locks in place.



9.4 Connecting the Outgoing Air Unit



Warning

Warning! Important information!

The heated cooling air must be extracted from the outgoing air duct (72/1) of the unit via a direct air outlet (central outgoing air duct). You should therefore always connect an outgoing air hose to the hose adapter that can be used to guide outgoing air outside. uwe recommends using a special outgoing air chimney for this purpose as a standard addition to your unit, which you can order as an accessory.

Further information about effective ventilation can be found in the "AIR CONDITIONING TIPS" catalogue available either from us or your specialist dealer.

Warning, Important Information! Please Read, Danger of Overheating!

If the outgoing air is discharged to the atmosphere via a ventilation shaft, ensure minimum flow resistance inside the shaft. Fit a booster fan if necessary. In this case please consult an air-conditioning/ventilation specialist.

The discharge airflow is approx. 2,500 m³/hour. The same amount of fresh air must be introduced into the tanning room, and you should therefore ensure that there are fresh air vents in the tanning room wall providing a total opening cross section of at least 2,500 cm².

9.4.1 Accessories for Outgoing Air Duct Unit (Warm Air Recirculation, Outgoing Air Chimney)

- Warm Air Recirculation (only available as original equipment)

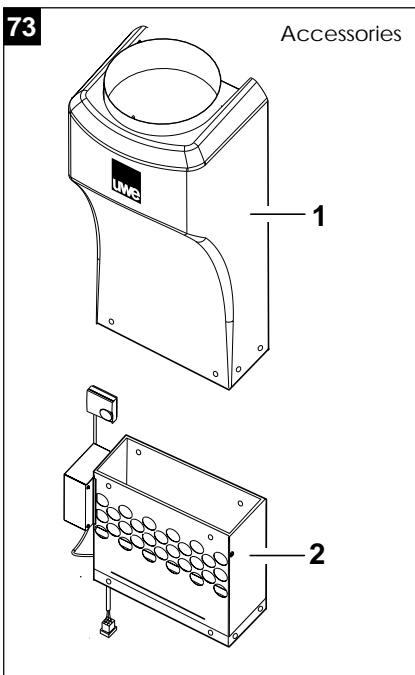
You can replace the top part (72/2) of the outgoing air duct of the unit with a warm air recirculation unit (73/2). The warm air recirculation unit is supplied with a room thermostat for mounting on the wall. Set the room thermostat to the desired room temperature.

Please contact us if you would like to find out more about this accessory.

- Outgoing Air Chimney

The air can be taken directly from the outgoing air duct of the unit by a special outgoing air chimney (Figure 73/1), which is available from uwe.

Please contact us if you would like to find out more about this accessory.



9.5 Electrical Connection



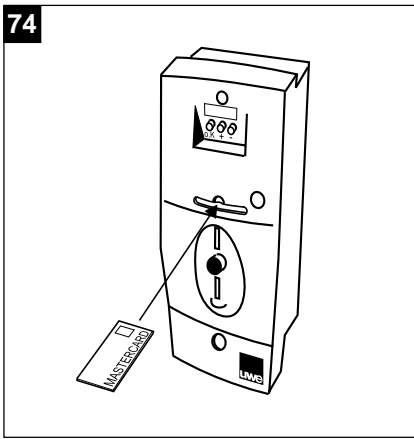
Warning

Warning:

Electrical connections must be carried out by a qualified electrician in accordance with the valid DIN, VDE and UVV specifications. The persons setting up the unit must test the unit and write a report (with carbon copy) in accordance with DIN VDE 0701. The operator must keep a copy of the report and send a copy to uwe Customer Service Department.

The unit is delivered fitted with a 5-core mains cable for connection to three-phase current 400 V 3 N ~ 50 Hz, neutral and earth conductors. The relevant wiring diagram is supplied with every unit.

1. Install a disconnecting device in the electric installation, which allows the unit to be completely separated from the mains with a contact gap of at least 3 mm at each pin.



9.6 Coin Meter or Central Desk Operation

The unit may only be connected by a qualified electrician in accordance with DIN VDE 0100.

Fitting the Coin Meter (Figure 74)

1. Open the unit.
2. Separate the cable connection between the door and housing.
3. Remove the main door and coin container.
4. Push out the holes you require in the housing for the power cable.
5. Screw the cable glands provided into the openings.
6. Mount the unit with 3 screws and dowel plugs.



The unit must be fitted vertically to a solid, vibration-free wall.

Function

7. Pull the mains cable and control wires through the cable glands.
8. Connect the cables to the labeled connections.



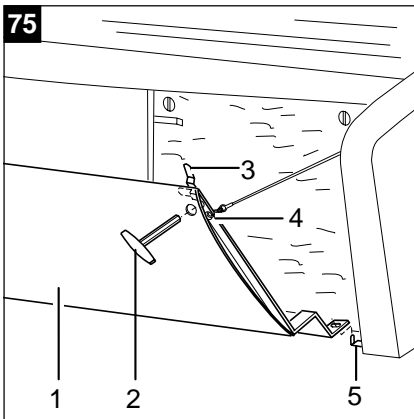
You must ensure that the coin meter can be separated from the mains (contact gap 3 mm) and the unit must be earthed.

Warning

9. Connect the cable connections between the power supply unit, the main board and the earth.
10. Insert the coin/token container and the main door.
11. Close the unit.

Information on operating and setting the unit can be found in the coin meter operating instructions.

For safety reasons, ensure that the maximum tanning session with this unit is limited to 30 minutes.



9.7 Retrofitting Air Conditioning (Accessory)



If you order an air-conditioning unit at a later stage, the tanning unit must be converted.

Warning

Removing large covering panel in front of the base.

1. Take the Allan key (75/2).
2. Use the Allan key to turn both hexagon bolts (75/3) of the large covering panel towards the center of the unit.
3. Move the covering panel (75/1) slightly forwards.
4. Detach both carbiner hooks (75/4) from the covering panel.
5. Lift the covering panel over both pins (75/5) of the base and remove.

Installing the Air-Conditioning Unit

1. Unscrew the 5 bolts (76/1) and remove the shielding bracket (76/2).
2. Position the air conditioning unit at the front of the base.
3. Connect the 3-pin connector of the air conditioning unit (76/5) to the 3-pin coupling (76/4) in the base.
4. Check that the rubber seal (76/3) is installed on the right and around the edge. If not, this seal must be installed properly.
6. Push the air-conditioning unit (76/6) all the way back into the recess and to the right until it touches the rubber seal.
8. Secure the air conditioning unit using the 3 bolts (76/7) through the mounting bracket (76/8).
9. Mount the sealing plate (76/10) using the 5 bolts.

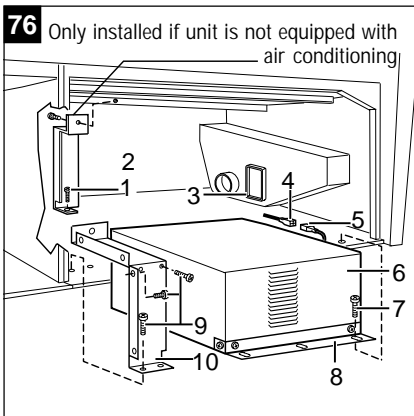


If the unit is operated without the air conditioning unit, the shielding bracket (76/2) must be reinstalled.

Warning

Fitting the Large Covering Panel in Front of the Base

1. Insert the covering panel with the pins (75/5) in the lower elongated holes.
2. Raise the covering panel slightly.
3. Hook both carbiner hooks (75/4) into the covering panel.
4. Move the covering panel upwards towards the base until it touches.
5. Use the Allan key (75/2) to turn both hexagon socket bolts (75/4) towards the side parts of the base.

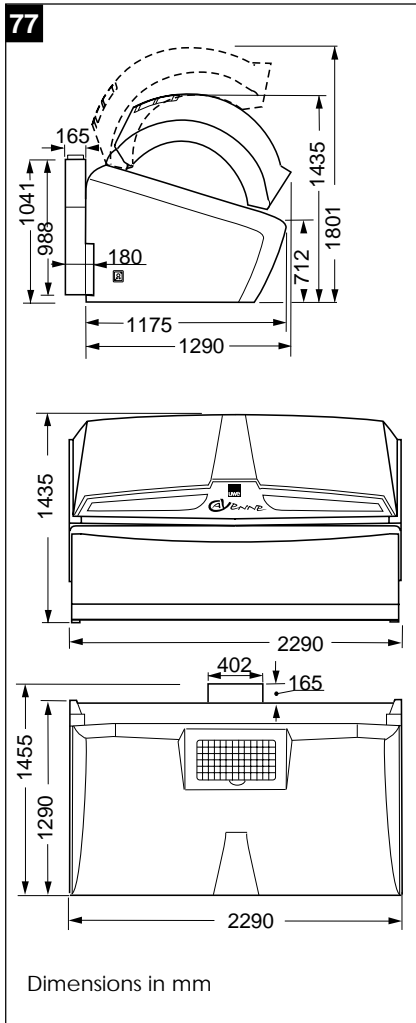


Function of Air Conditioning Unit

1. Check that the air conditioning unit is functioning correctly.

Parts list for retrofitting an air conditioning unit (ID No. 264 931)

Part	ID. No.	Illustration No.	Item in Figure 76
Air conditioning unit	262337		6
Mounting bracket	262332	-07x015-0499/002	8
Left front partition wall	264673	-07x011-0403	10
Pan-head tapping screw DIN 7981 F 4.2 x 9.5	35573		1, 7, 9



10 TECHNICAL SPECIFICATIONS

10.1 Technical Specifications, Dimensions and UV-Type *

		CAYENNE XTT USA
Unit model		7019/100 HD XTT USA
Power (including air conditioning (kW))		13.4 kW
Operating voltage (V)		220 V 3 ~ PE 60 Hz
Fuse protection (A)		3 x 32 A (K32)
Weight (kg)		approx. 800 kg
Dimensions		
Length (mm)		2290
width (mm)		1455
Height (mm)		1801
(canopy open)		
Recommended minimum dimension cabin L x D (mm)		2500 x 2400
Noise emission ≤ 70 dB (A)		
Room temperature for operation max. 35° C		
The installation site must have a loading capacity of at least 500 kg/m ² and must be flat.		

*We reserve the right to make technical modifications.

	Skin type II	Skin type III	Skin type IV
Maximum number of tanning sessions per year	60 (\triangleq 15 kJ/m ²)	43 (\triangleq 15 kJ/m ²)	33 (\triangleq 15 kJ/m ²)

CAYENNE XTT USA	Lamps	UV-TYPE to EN 60335-2-27
Canopy, face	3 x 1 kW BQ 1176 Z4	2
Canopy, body	17 x COSMOLUX 160 W VHR	4
	5 x COSMOLUX VHR 200 180 W	
Canopy back- ground -lighting	1 x TLD 18 W/18 blue	
Canopy, uwe Logo	4 x PL-S 7 W	
Canopy lighting, illuminated display	7 x L 30 W / 21-840 Plus	
Side tanner	5 x COSMOLUX VHR 200 180 W	
Bed	20 x COSMOLUX 160 W VHR	4
Bed lighting (FLOORLIGHT)	1 x TL-D 36 W/18 blue	

! Turn off the power to the unit before changing lamps.

**RELAMPING INSTRUCTIONS
REPLACEMENT LAMP TYPES**

**CAUTION: REPLACE ONLY WITH ORIGINAL LAMPS OR FDA
APPROVED
EQUIVALENT**

10.2 Covering the Lamps (Filter Disks)

The UV lamps are covered by a panel of 2.5 mm thick acrylic in the canopy and side tanner and by two panels in the bed, one 4 mm thick (corrugated) and one 5 mm thick. The acrylic glass panels are frosted on the side nearest the lamps (LIGHTGLASS) except for the corrugated acrylic panel in the bed and the GB area of the canopy panel.

The following filter disks cover the high-pressure lamps of the CAYENNE XTT unit:

High pressure lamps (3 lamps): 1 x 324 Interferenz filter disk on the side nearest the user, (manufacturer's part no. 02936) and 1 x transparent filter disk 316 on the side nearest the lamp (manufacturer's part no. 02932).

The high-pressure lamps are covered by a polished panel made of 2.5 mm thick acrylic.

A reflector made of mirror-finish rolled, electrolytically polished and anodized aluminum is fitted between the lamps and the canopy bracket and the bed.

11 CUSTOMER SERVICE ADDRESS

PC MARKETING
1040 WILT AVENUE
RIDGEFIELD, NJ 07657

1-800-FAST TAN

PC MARKETING
1040 WILT AVENUE
RIDGEFIELD, NJ 07657

1-800-FAST TAN



ID.-NR. 265 016 / 01/2003