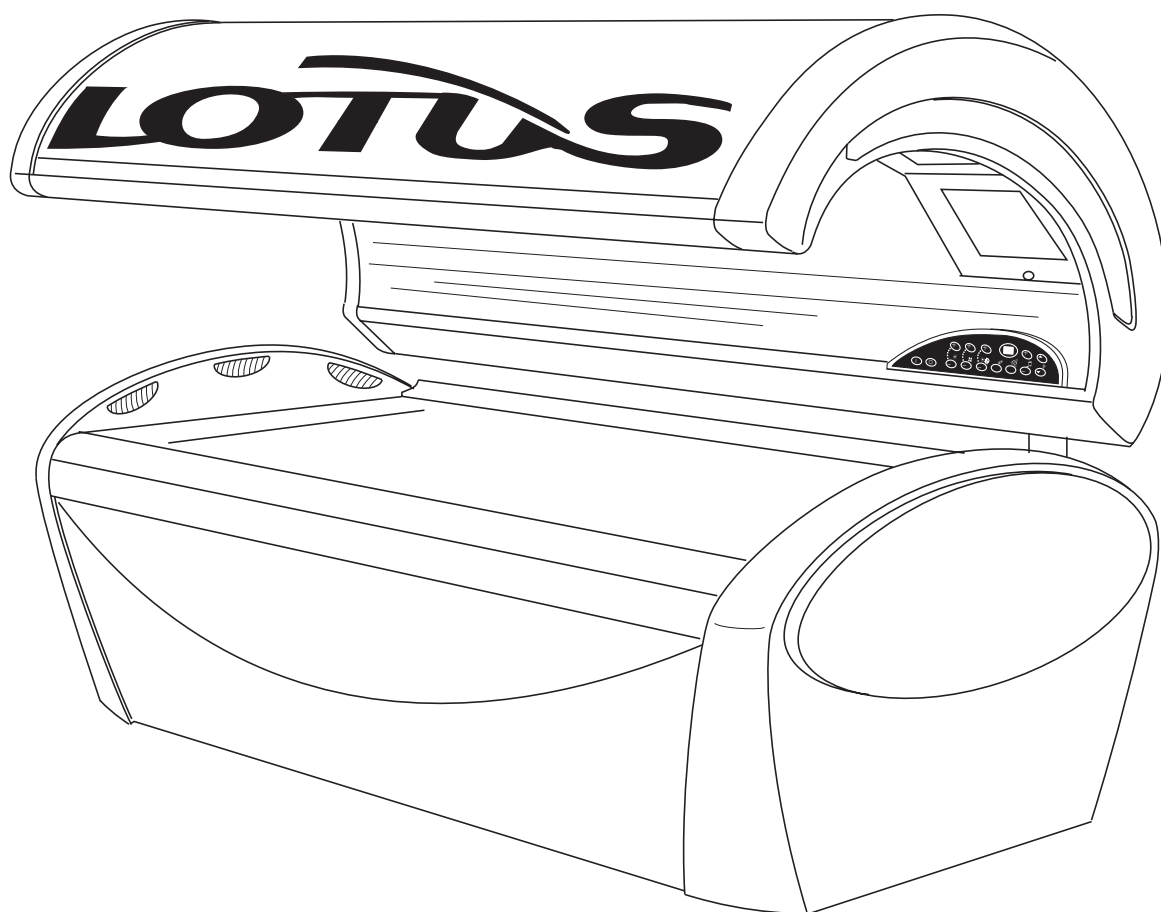


INDOOR TANNING EQUIPMENT CARE, USE AND INSTALLATION INSTRUCTIONS



**Model:
LOTUS
PC MARKETING
1040 WILT AVENUE
RIDGEFIELD, NJ 07657**



1-800-FAST TAN

Foreword

Your LOTUS is built according to state-of-the-art technology and is safe to operate. However, the unit can be dangerous if used by persons who have not been trained or shown how to use the unit or if it is not used for the intended purpose. It is therefore essential that these operating instructions and in particular the notes on safety are read and understood by everyone involved with setting up, commissioning, operating, servicing and repairing the unit. Allow you and your staff to be instructed by a specialist before using the unit for the first time. In the unlikely event of a technical fault please contact our Customer Services or your dealer.

CONTENTS		PAGE
1	NOTES ON SAFETY	4-6
1.1	Before Initial Operation	4
1.2	Using the Unit for the First Time	4-6
1.3	Safety Warning	6
1.4	Proper Use	6
1.5	Product Liability	6
1.6	What to do in an Emergency	6
1.7	Explanation of Danger Symbols	6
1.8	Position of the User	6
INFORMATION FOR THE SALON PERSONNEL		
2	OPERATION	7-9
2.1	Equipment - New and Proven	7
2.2	Starting	7
2.3	On the Bed	8
2.3.1	Operating Panel	8-9
2.4	Cleaning the Bed Panel	9
INFORMATION FOR THE OPERATOR		
3	INITIAL OPERATION	9
3.1	Important information! Please read!	9
3.2	Before Initial Operation	9
3.3	Using the Unit for the First Time	9
4	CLEANING - IMPORTANT INFORMATION FOR THE OPERATOR	10
5	IMPORTANT INFORMATION FOR THE OPERATOR	11-13
5.1	Service Module (operating hours, error message)	11
5.1.1	Service Module	11
5.1.2	Operating the Service Module	11
5.1.3	Programs of the Service Module	11-12
	The service module at a glance	
5.2	Audio System	13
	Connection of the Audio System	13

CONTENTS	PAGE
6	SERVICING AND MAINTENANCE 13-18
6.1	Exchanging the Acrylic Panel 14
6.1.1	Bed Acrylic Panels 14
6.1.2	Acrylic Panel of Canopy 14-15
6.2	Servicing the High-Pressure Lamp 15
6.2.1	Changing the High-Pressure Lamp 15-16
6.3	Exchanging the Lamps 16
6.3.1	Exchanging the Long Sunlamp 16
6.3.2	Exchanging the Illumination Lamps 16-17
6.3.3	Bed Illumination Lamp (FLOORLIGHT) 17
6.4	Exchanging the Filter Mats 17
6.4.1	Filter Mats in the Base Casing 17-18
6.4.2	Filter Mats in the Canopy 18
6.4.3	Filter Mats in the bed (only unit Type 7019/132 without an air cond. unit) 18
7	TIPS FOR RECTIFYING SMALLER FAULTS 19
8	DISPOSAL 19
INFORMATION FOR ENGINEERS AND uwe SPECIALISTS	
9	INSTALLATION OF THE PROFI UNIT 20-25
9.1	Place of Installation and State on Delivery 20
9.2	Assembly and Installation 20
9.2.1	Disassembling the Canopy Frame 20
9.2.2	Disassembling the Bed 20
9.2.3	Dismantling the Board and Air Conditioning Unit (if fitted) 20-21
9.2.4	Disassembling the Canopy 21
9.2.5	Disassembling the Casing 21
9.2.6	Disassembling the Kinematics Holder 21
9.2.7	Assembling the Base 22
9.2.8	Assembling the Canopy 22
9.2.9	Assembling the Casing 22
9.3	Assembling the Boards and Air Conditioning Unit 23
9.3.1	Assembling the Bed 24
9.3.2	Assembling the Canopy Frame 24
9.4	Connecting the Exhaust 24
9.4.1	Air extraction duct (picture 22) 24
9.5	Electrical Connection 24-25
9.6	Coin Meter or Central Desk Operation 25
9.7	T-Max Timer 25
10	TECHNICAL DATA 26
10.1	Technical Specifications and Dimensions 26
10.2	Sunlamp Covering (Filter Discs) 26
11	CUSTOMER SERVICE ADDRESS 26
	Figures 27-39

1 – SAFETY INSTRUCTIONS

1.1 Before installation and placing in operation, the Safety Instructions and Operating Instructions must be carefully read and observed.

1.2 Before the unit is placed in operation, the local Safety Regulations and the Safety Instructions must be complied with.

1.3 SAFETY / WARNING

DANGER – ULTRAVIOLET RADIATION

Follow instructions. Avoid overexposure. As with natural sunlight, overexposure can cause eye and skin injury and allergic reactions. Repeated exposure may cause premature aging of the skin and skin cancer. Consult physician before using sunlamp if you are using medication or have a history of skin problems or believe yourself especially sensitive to sunlight. If you do not tan in the sun, you are likely to tan from the use of this product. **WEAR PROTECTIVE EYEWEAR: FAILURE TO MAY RESULT IN SEVERE BURNS OR LONG – TERM INJURY TO THE EYES.**

Therefore, you must observe the following Safety Instructions:

The ultraviolet and visible radiation is very intense. **DO NOT** stare at the tanning lamps. While tanning, close your eyes, and always use the protective eyewear that is supplied. Before tanning, always remove jewelry.

DO NOT tan more frequent than once every two days.

For recommendations about exposure times and recommended frequencies, please see below **RECOMMENDED EXPOSURE SCHEDULE**, which is enclosed with every unit.

SCHEDULE FOR LAMPS TYPE: HERAEUS NOBLELIGHT 400 W BQ 471 Z4 NO. 44005 COSMEDICO-COSMOLUX VHR 160 W (COS-NO. 16180)

RECOMMENDED	Skin Type Session	WEEK 1 1 ST -3 RD Session	WEEK 2 4 TH -6 TH Session	WEEK 3 7 TH -10 TH Session	WEEK 4 11 TH -15 TH Session	WEEKLY Subsequent
EXPOSURE	II - Fair	2 min.	3 min.	6 min.	12 min.	12 min.
	III – Average	2 min.	4 min.	6 min.	12 min.	12 min.
	IV– Brown	2 min.	6 min.	8 min.	12 min.	12 min.
SCHEDULE	V – Dark Brown	2 min.	6 min.	8 min.	12 min.	12 min.

SCHEDULE FOR LAMPS TYPE: HERAEUS NOBLELIGHT 400 W BQ 471 Z4 NO. 44005 COSMEDICO-COSMOLUX VHO 160 W (COS-NO. 16161)

RECOMMENDED	Skin Type Session	WEEK 1 1 ST -3 RD Session	WEEK 2 4 TH -6 TH Session	WEEK 3 7 TH -10 TH Session	WEEK 4 11 TH -15 TH Session	WEEKLY Subsequent
EXPOSURE	II - Fair	3 min.	5 min.	9 min.	15 min.	15 min.
	III – Average	5 min.	6 min.	9 min.	15 min.	15 min.
	IV– Brown	5 min.	8 min.	11 min.	15 min.	15 min.
SCHEDULE	V – Dark Brown	5 min.	8 min.	11 min.	15 min.	15 min.

SCHEDULE FOR LAMPS TYPE: HERAEUS NOBLELIGHT 400 W BQ 471 Z4 NO. 44005 WOLFF SYSTEM – ETERNAL SUN F 71 100 W (WOLFF NO. 21182)

RECOMMENDED	Skin Type Session	WEEK 1 1 ST -3 RD Session	WEEK 2 4 TH -6 TH Session	WEEK 3 7 TH -10 TH Session	WEEK 4 11 TH -15 TH Session	WEEKLY Subsequent
EXPOSURE	II - Fair	4 min.	8 min.	12 min.	20 min.	20 min.
	III – Average	4 min.	8 min.	14 min.	20 min.	20 min.
	IV– Brown	5 min.	10 min.	16 min.	20 min.	20 min.
SCHEDULE	V – Dark Brown	5 min.	10 min.	18 min.	20 min.	20 min.

Tanning can begin on a regular basis (allowing 48 hours between sessions). An appearance of tanning normally occurs after a few exposures and maximizes after four (4) weeks of exposure following the recommended exposure schedule of two (2) weekly 10 minute sessions is recommended from the fifth week onward.

USE PROTECTIVE EYEWEAR WHENEVER THE EQUIPMENT IS ENERGIZED.

READ THE INSTRUCTION BOOKLET BEFORE USING THIS PRODUCT.

WARNING

If you have been diagnosed by a physician as being allergic to the sun or are currently taking photosensitive medications, consult your physician before using this product. Children, persons with fair skin, elderly persons and persons who have a history of skin problems or believe yourself especially sensitive to sunlight, should avoid using this product. If you do not tan in the sun, you are likely to tan from this product.

Certain drugs – particularly those designed to enhance photosensitivity – maybe cause individuals under their influence to experience adverse effects and those people ought

to avoid exposure to UV sources of all kinds. Doctors will advise persons taking these drugs of possible adverse effects.

It is recommended that only one person at a time use the tanning system. Use protective eyewear while tanning. One pair of protective eyewear is provided with each unit sold. Occasionally, persons, using the tanning system will experience a slight reddening of the skin – usually in small patches – after the second or third session. This redness is often accompanied by an itching sensation. This is nothing more than a heat "rash" caused by heat from the lamps within the system. It is generally very limited. It will go away within approximately 24 hours and should not reappear. This rash can be lessened or prevented by applying moisturising lotion to the affected area after the tanning session is complete.

CAUTION

WHILE THERE IS NO IMMEDIATE CLINICAL EVIDENCE REGARDING UV EXPOSURE AND ITS EFFECTS UPON EXPECTANT MOTHERS, IT IS STRONGLY ADVISED THAT EXPECTANT MOTHERS BE DISCOURAGED FROM USING THIS PRODUCT.

EXPOSURE TIMES AND FREQUENCIES

Melanin, the brownish pigment produced by special cells in the base layers of the skin determines the individual ability to tan. As the skin is exposed to ultraviolet rays, the melanin is activated and combines with protein cells that rise to the skin's surface, thus producing a tan. The amount of melanin in your bodies determining how quickly and darkly you can tan.

NOTE

THE TAN PRODUCED BY THIS UNIT IS A DEEP, RICH "COSMETIC" TAN, HOWEVER, REGARDLESS OF HOW MUCH AN INDIVIDUAL MAY TAN WITH THIS UNIT, IT WILL NOT PROVIDE ADEQUATE PROTECTION AGAINST OVEREXPOSURE TO NATURAL SUNLIGHT OR UVB TANNING SYSTEMS.

SKIN TYPE II - THIS IS THE INDIVIDUAL THAT USUALLY BURNS EASILY AND SEVERELY. TANS MINIMALLY OR LIGHTLY AND PEELS.

SKIN TYPE III - OFTEN REFERRED TO AS "AVERAGE" COMPLEXION. BURNS MODERATELY AND TANS ABOUT AVERAGE.

SKIN TYPE IV - THIS INDIVIDUAL BURNS MINIMALLY, TANS EASILY AND ABOVE AVERAGE WITH EACH EXPOSURE.

SKIN TYPE V - THIS INDIVIDUAL RARELY BURNS, TANS EASILY

RECOMMENDED EXPOSURE SCHEDULE

**SCHEDULE FOR LAMPS TYPE: HERAEUS NOBLELIGHT 400 W BQ 471 Z4 NO. 44005
COSMEDICO-COSMOLUX VHR 160 W (COS-NO. 16180)**

RECOMMENDED	Skin Type Session	WEEK 1 1 ST -3 RD Session	WEEK 2 4 TH -6 TH Session	WEEK 3 7 TH -10 TH Session	WEEK 4 11 TH -15 TH Session	WEEKLY Subsequent
EXPOSURE	II - Fair	2 min.	3 min.	6 min.	12 min.	12 min.
	III - Average	2 min.	4 min.	6 min.	12 min.	12 min.
	IV- Brown	2 min.	6 min.	8 min.	12 min.	12 min.
SCHEDULE	V - Dark Brown	2 min.	6 min.	8 min.	12 min.	12 min.

**SCHEDULE FOR LAMPS TYPE: HERAEUS NOBLELIGHT 400 W BQ 471 Z4 NO. 44005
COSMEDICO-COSMOLUX VHO 160 W (COS-NO. 16161)**

RECOMMENDED	Skin Type	WEEK 1 1 ST -3 RD Session	WEEK 2 4 TH -6 TH Session	WEEK 3 7 TH -10 TH Session	WEEK 4 11 TH -15 TH Session	WEEKLY Subsequent Session
EXPOSURE	II - Fair	3 min.	5 min.	9 min.	15 min.	15 min.
	III - Average	5 min.	6 min.	9 min.	15 min.	15 min.
	IV- Brown	5 min.	8 min.	11 min.	15 min.	15 min.
SCHEDULE	V - Dark Brown	5 min.	8 min.	11 min.	15 min.	15 min.

**SCHEDULE FOR LAMPS TYPE: HERAEUS NOBLELIGHT 400 W BQ 471 Z4 NO. 44005
WOLFF SYSTEM - ETERNAL SUN F 71 100 W
(WOLFF NO. 21182)**

RECOMMENDED	Skin Type Session	WEEK 1 1 ST -3 RD Session	WEEK 2 4 TH -6 TH Session	WEEK 3 7 TH -10 TH Session	WEEK 4 11 TH -15 TH Session	WEEKLY Subsequent
EXPOSURE	II - Fair	4 min.	8 min.	12 min.	20 min.	20 min.
	III - Average	4 min.	8 min.	14 min.	20 min.	20 min.
	IV- Brown	5 min.	10 min.	16 min.	20 min.	20 min.
SCHEDULE	V - Dark Brown	5 min.	10 min.	18 min.	20 min.	20 min.

No two individual skin tones are the same. A tan to one person may be different to another, and session length may vary. It is recommended that, following a tanning session, a skin moisturiser be applied. This promotes a smoother more even looking tan. Equally important – many facial make-ups have oil bases and should be removed prior to each tanning session.

NOTE

SINCE THE BACK AND STOMACH AREAS OF THE BODY WILL RECEIVE THE MAJORITY OF THE TANNING RAYS, IT IS RECOMMENDED THAT INDIVIDUALS SPEND ONE HALF OF EACH SESSION LYING ON EACH SIDE OF THE BODY TO ACHIEVE A FULL-BODIED TAN.

WARNING

COMMERCIALY AVAILABLE CREAMS, LOTIONS AND OILS CONTAIN SUNSCREENS WHICH FORM A PHYSICAL BARRIER ON THE SKIN THAT PREVENTS THE UV RAYS FROM PENETRATING AND INDUCING A TAN. IT IS RECOMMENDED THAT YOU ONLY USE CREAMS, OILS OR LOTIONS THAT **DO NOT CONTAIN POLYTHENE/GLYCOL MONOLAURATE** AND ARE DESIGNED FOR USE WITH INDOOR TANNING EQUIPMENT. FAILURE TO COMPLY WITH RECOMMENDATIONS AND WARNINGS STATED ABOVE MAY VOID THE MANUFACTURER'S WARRANTY.

WARNING

THIS UNIT **MUST NOT** BE USED IF THE TIMER IS FAULTY OR IF THE FILTER GLASS PLATE IS BROKEN.

1.4 Proper Use

All units are intended exclusively for indoor tanning of people and for commercial use. The unit must only be operated in areas free from the danger of explosions and in dry rooms. The rooms must be well ventilated. If operated in a tanning salon, the room and solarium itself must be kept clean and hygienic. Any additional use is not regarded as the intended proper use and the manufacturer accepts no liability for any damage that may arise as a result. All risk falls to the user.

Proper use includes observance of the operating, maintenance, and servicing conditions specified by the manufacturer. Servicing and repair work and the like may only be carried out by uwe Customer Service Department or persons commissioned by them. The units may only be used by those who are familiar with them and who have been informed about the dangers. Appropriate accident prevention measures and other generally recognized rules regarding safety and industrial medicine must be observed. Unauthorized changes to the units exclude the liability of the manufacturer for any resulting injury. This applies in particular to injury resulting from the use of lamps and/or filter disks not authorized by uwe.

1.5 Product Liability

The attention of the user is drawn explicitly to the fact that the unit may only be used for the intended purpose. All responsibility and liability falls to the user if the unit is used other than for the intended purpose. The manufacturer no accepts any liability.

1.6 What to do in an Emergency

Remove the mains plug or switch off the power using the main switch or fuses and secure the unit against unauthorized re-initialization.

1.7 Explanation of Danger Symbols



Warning

Warning!

All sections in these operating instructions that relate to your safety are marked with this symbol.

Please also pass on the information regarding safety to other users.



Function

All sections in these operating instructions that contain information regarding the function of the unit are marked with this symbol. Please pay particular attention to this information to avoid damaging the unit.

Note. All information and notes in these operating instructions are marked with the word **Note**.

Various figures and diagrams are referred to in the text. For example (30/2) refers to Figure 30, item 2.

1.8 Position of the User.

In front of the unit and on the bed.

INFORMATION FOR THE SALON PERSONNEL

2 OPERATION

2.1 Equipment - New and Proven



Important Information! Please read!

Please pass on all this information to the user.

Warning

FANS

The fans are factory-set to continue running for approx. 6 minutes after the tanning session to allow the unit to cool.

BREAKSAFE

The XTT filter discs above the high pressure lamps are protected by a BREAKSAFE device. If one of these filter discs breaks, the power supply is interrupted and the unit can only be restarted when the filter disc has been replaced with a new one.

SERVICE MODULE

In the Service Module you can have the operating hours shown separately as operating hours solarium, operating hours ND lamps and operating hours HD lamps. Temperatures are monitored and error messages displayed in the Service module.

AUDIO SYSTEM

The unit can be connected to an external audio system.

2.2 Starting the Unit



Warning

Please refer to the table of recommended tanning times.

Do not exceed the tanning time recommended for your skin type. Important! Avoid sunburn.

Never undergo ultraviolet exposure if you have sunburn.

Your final tan (when your skin does not tan any more) depends on your skin type. This cannot be changed by using a solarium but only maintained.

Close your eyes while tanning and always wear the protective goggles provided.

If you have undergone surgery to your eye lenses it is extremely important that you wear protective goggles while tanning.

Starting the Unit in Coin Operation

1. Insert coins or tokens into the coin meter.
The unit switches on automatically after the pre-tanning time depending on the central desk operation or coin meter used.
2. Press the START button (early start) if you want to activate the unit before the pre-tanning time ends.
3. If you would like to turn the unit off before the set time, press on the STOP button which is located next to the START button.
The tanning time continues during the interruption, i.e. the display continues to count the minutes elapsed.

Starting in Private Use

1. Press the START button on the control panel.
2. Increase the tanning time in steps of one minute by pressing the START button or correct down by pressing the STOP button.
The desired tanning time must be set within 20 seconds.
Tanning starts 5 seconds after pressing the START button for the first time.
3. If you would like to turn the unit off before the set time, press on the STOP button which is located next to the START button.
The tanning time is halted.
The minute display flashes during the break to show that there is some time remaining.
4. Tanning continues from the current time on pressing the START button again.
The unit switches to standby if tanning does not continue after 60 minutes at the latest.
5. Tanning is completely interrupted and the minute display reset to zero by pressing the STOP button again.

2.3 On the Bed

1. Lay down on the bed.



Keep your body away from the front edge of the bed. Danger of squashing!

Warning

2. Lower the canopy using the handle.
The distance between your body and the lamps is determined by the design of the unit.

Coin-operated mode

If the tanning session has not yet begun, the pre-tanning time is still active. The lamps switch on automatically after the pre-tanning time. Press the START button (early start) if you want to activate the unit before the pre-tanning time ends.

2.3.1 Operating Panel



You can interrupt the tanning session at any time by pressing the STOP button (1/2).

Warning

- **START button (1/1)**

Coin-operated Mode

Tanning can be restarted with the START button (1/1) if it has been interrupted with the STOP button (1/2). The unit can be activated before the pretanning time ends with the START button (early start).

Private Use

Tap in the desired tanning time in minutes with the START button (1/1, within 20 seconds). Tanning starts.

Tanning can be restarted with the START button (1/1) if it has been interrupted with the STOP button.

- **STOP button (1/2)**

You can interrupt tanning with the STOP button (1/2) at any time.

Coin-operated Mode

You can switch off the unit with the STOP button (1/2) before the set time. Tanning time continues running during this pause.

Private Use

You can switch off the unit with the STOP button (1/2) before the set time. The tanning time is halted.

Tanning is completely interrupted and the minute display (1/9) reset to zero by pressing the STOP button again.

- **Fan Stage Buttons (1/4, 1/5)**

The buttons control the cool air stream over the body. The intensity of the cooling air increases when you tap the Plus button (1/4) or decreases when you tap the Minus button (1/5). You can choose between 3 stages. The red LED lamps (1/3) light up according to the level you choose. On level 1, LED 1, on level 2 LED 1, 2 and 3 and level 3 LED 1, 2, 3, 4 and 5 are on.

Press the Minus button (1/5) on level 1 for 3 seconds if you want to switch off the body cooling completely.

The previously set level is retained when you restart tanning, if the body cooling was switched off, the unit restarts on level 2.

- **Face Tanning Buttons (1/6, 1/8)**

The buttons control the intensity of the face tanner (IGB). The intensity of tanning increases when you tap the Plus button (1/8) or decreases when you tap the Minus button (1/6). You can choose between 3 stages. The red LED lamps (1/7) light up according to the level you choose. On level 1, LED 1, on level 2 LED 1, 2 and 3 and level 3 LED 1, 2, 3, 4 and 5 are on.

Press the Minus button (1/6) on level 1 for 3 seconds if you want to switch off the face tanner.

The previously set level is retained when you restart tanning, if the face tanner was switched off, the unit restarts on level 3 (highest level).

If tanning is switched off and then back on within 2 minutes, the active LEDs flash for 2 minutes, i.e. the high pressure lamps require up to 2 minutes reigniting.

When tanning time ends (Off coin meter or Off in private use), the face tanners are shut down in stages.

- **Display (1/9)**

Coin-operated Mode

The two-digit display (1/9) counts up the time from the active coin meter signal in steps of one minute. On the display, you can read how many minutes of the tanning session have elapsed.

The time display flashes if the tanning time is interrupted.

After the tanning session is complete the unit switches off and the display shows zero.

Private Use

The two-digit display (1/9) counts down the time from start of tanning to zero in steps of 1 minute.

The halted time display flashes if the tanning time is interrupted.

- **Audio System Volume Buttons (1/10)**

The two buttons (1/10) allow you to control the volume of the music played on the central sound system. The volume increases when you tap the Plus button or decreases when you tap the Minus button.

- **Audio System Program Selection Buttons (1/11)**

Select one of the entertainment programs with the Plus and Minus buttons (1/11).

2.4 Cleaning the Bed Panel: Use uwe cleaner only!



Warning

Always pay attention to hygiene.

The bed must be disinfected and cleaned after every tanning session.

Keep uwe cleaner and other cleaning agents away from your eyes. Do not spray into naked flames!

Do not drink.

Keep out of the reach of children.

Use cleaning agents as directed by the manufacturer and observe the acting time.

Do not pour liquids onto the unit to ensure moisture does not seep under the covering panels into the electrics.

Cleaning the bed panel

1. Clean the bed panel after every tanning session with the uwe "PICCOBELLO" cleaner or with Paletti Hydro Cloth.
2. If you are using the uwe "PICCOBELLO" cleaner, spray it onto the bed panel and let it work there for about 1 minute.
3. Always dry the panel afterwards with a clean cloth.

INFORMATION FOR THE OPERATOR

3 Initial Operation

3.1 Important information! Please read!

Do not put defective units into operation.

Observe the highest permissible room temperature max. 95°F (max. 35°C) or the unit may overheat.

Observe the requirements with regard to hygiene.

Provide protective goggles and ensure they are worn.

Make users aware of the importance of observing the tanning time depending on their skin type.

Keep the assembly and operating instructions close by.

Post the notes on safety and the recommended tanning times in the solarium room where they can be seen easily.

Only operate the unit for longer periods of time with the canopy closed.

There is a sticker on the acrylic panel of the bed providing important information in 4 languages. Please read this information and then remove the sticker.

3.2 Before Initial Operation

The notes on safety and operating instructions must be read carefully and observed before the unit is set up and operated for the first time.

You can call the operating hours in the Service Module (see chap. 5.1).

3.3 Using the Unit for the First Time

Observe the local safety specifications and notes on safety before using the unit for the first time. The unit cannot be started up until it is completely assembled, connected to the mains power supply and hooked up to the coin meter or central desk.

4 CLEANING - IMPORTANT INFORMATION FOR THE OPERATOR

Pay particular attention to hygiene on and around the unit. Dust reduces the tanning effect.

Keep cleaning agents away from eyes!

Do not spray into naked flames!

Do not drink! Keep out of the reach of children!

Do not pour liquids onto the unit to ensure moisture does not seep under the covering panel into the electrics.

Use cleaning agents as directed. Observe the acting time given by the manufacturer. There is no guarantee or warranty liability if another cleaning agent is used.

- **Body**

1. Clean the painted outer surface of the unit with a damp cloth. The water used to moisten the cloth may contain a little detergent.
2. Do not use scouring agents.
3. Remove stubborn dirt with a soft cloth and a biodegradable cleaning agent (e.g. a cleaning agent containing neutral soap).

- **Acrylic Panel**

PICCOBELLO cleaning agent is particularly suitable for disinfecting, deodorising and cleaning all kinds of surfaces, in particular in tanning salons and fitness studios. "PICCOBELLO" is supplied by PC MARKETING as a concentrate and must be diluted in water to a solution suitable for use.

Mixing PICCOBELLO ready for use

1. Mix 15 ml "PICCOBELLO" in 1 litre of water. This gives a 1.5% solution that requires an acting time of 1 minute.

Cleaning the Acrylic Panels

1. Only clean the acrylic panels with the original PC MARKETING "PICCOBELLO" cleaner or Paletti Hydro Vlies.
2. If using the PC MARKETING "PICCOBELLO" cleaner, spray the cleaning agent onto the acrylic bed panel and leave to work for approximately 1 minute.
3. Always dry the panel afterwards with a clean cloth.
4. Clean the underside of the bed panel, the flat acrylic panel in the bed and the acrylic panel in the canopy frame from time to time.

Bed Acrylic Panels

Lifting up the Bed Panel

1. Turn the slots in the bolts (3/7) to a vertical position with a coin.
2. Lift up the bed panel (3/1) at the front.
3. Take both support rods (3/2) out of their rests and support the bed panel (3/1) with the rods.
4. Clean the underside of the bed panel.

Cleaning the Flat Acrylic Panel in the Bed

1. Clean the surface of the flat acrylic panel (3/10).
2. Remove the two set U-bars (3/5) out of the recesses in the flat acrylic panel.
3. Lift up the flat acrylic panel using the gripping hole (3/4).
4. Clean the underside of the flat acrylic panel.

Installing the Acrylic Bed Panels

1. Place the flat acrylic panel with the gripping hole (3/4) at the front between the limiting screws (3/8) of the lamp cover (3/6).
1. Thread in the two U-bars (3/5) under the flat bed panel (3/10) and set them upright.
2. Adjust the two support rods (3/2) in their rests and lower the bed panel (3/1) until it is resting on the bed.
3. Turn the slots in the bolts (3/7) to the horizontal position.

Acrylic Panel of Canopy

Lower the canopy frame with acrylic panel

1. Clean the accessible side of the acrylic panel canopy.
2. Take the Allen key.
3. Turn the three hexagon socket head bolts (2/2) with the Allen key.
4. Tilt the canopy frame (2/3) with the acrylic panel with the front long side down until the frame is lying on the bed.
Please do this carefully!
5. Clean the inside of the acrylic panel canopy (2/5).
6. Lift the canopy frame (2/3) up and turn the bolts (2/2) round.

- **Reflector**

1. Wipe the reflectors with a cloth soaked in alcohol when you change the lamps.

5 IMPORTANT INFORMATION FOR THE OPERATOR

5.1 Service Module (operating hours, error message)

5.1.1 Service Module

The Service Module includes three programs (Program menu, Service menu 1, Service menu 2) which can be called on the display (1/9).

In these programs, you can call the operating hours, read temperatures, read error messages etc.

5.1.2 Operating the Service Module (see the service diagram page 12)

1. Press the START (1/1) and STOP buttons (1/2) simultaneously for about 4 seconds. The Program menu appears on the display.
2. Pressing the START button moves back and forth between the three programs: Program menu, Service menu 1, Service menu 2.
3. You jump into the Program when you press the STOP button.
4. If you press the START button in a selected menu you go through the individual parameters.
5. If you press the STOP button on a certain parameter, the parameter (e.g. the operating hours) is displayed.
Two values are displayed alternately. The individual number that is displayed is the tens of thousands digit. The two numbers that are displayed are the thousands and hundreds digits.
6. Press and hold down the START button to read the tens and units digits.
7. When you press the START (1/1) and STOP (1/2) buttons simultaneously for about 4 seconds, you can reset the time counted up till now to zero (RESET), after changing a lamp for example.
8. If you press the START (1/1) and STOP buttons (1/2) again simultaneously for about 4 seconds in the top program level Pr, you quit the service module.
9. **The changed parameters are saved and activated if you disconnect the unit from the mains within 5 minutes after quitting the service module.**
If you change the parameters but then do not unplug the unit after leaving the service module all settings that were active before entering the service module will remain the same.
If you do not make any changes in the service module within approximately 4 minutes, the unit automatically leaves the service module and goes into standby mode.

See the diagram on page 9 for exactly how to operate the service module.

5.1.3 Programs of the Service Module

- Program menu Pr

1. Read the operating hours in the Program menu.
PrP1: operating hours solarium
PrP2: operating hours body lamps
PrP3: operating hours face lamps
2. If, for example, you are in the Program menu at P2, you can read the currently elapsed operating hours of the body lamps by pressing the STOP button.
3. Read off the operating hours.
Two values are displayed alternately. The individual number that is displayed is the tens of thousands digit. The two numbers that are displayed are the thousands and hundreds digits.
4. Press and hold down the START button to read the tens and units digits.
5. When you press the START and STOP buttons simultaneously for about 4 seconds, you can reset the time counted up till now to zero (RESET), after changing a lamp for example.
6. When an operating hours counter reaches its limit, the left hand point of the 7-segment display lights up.
7. **The changed parameters are saved and activated if you disconnect the unit from the mains within 5 minutes.**

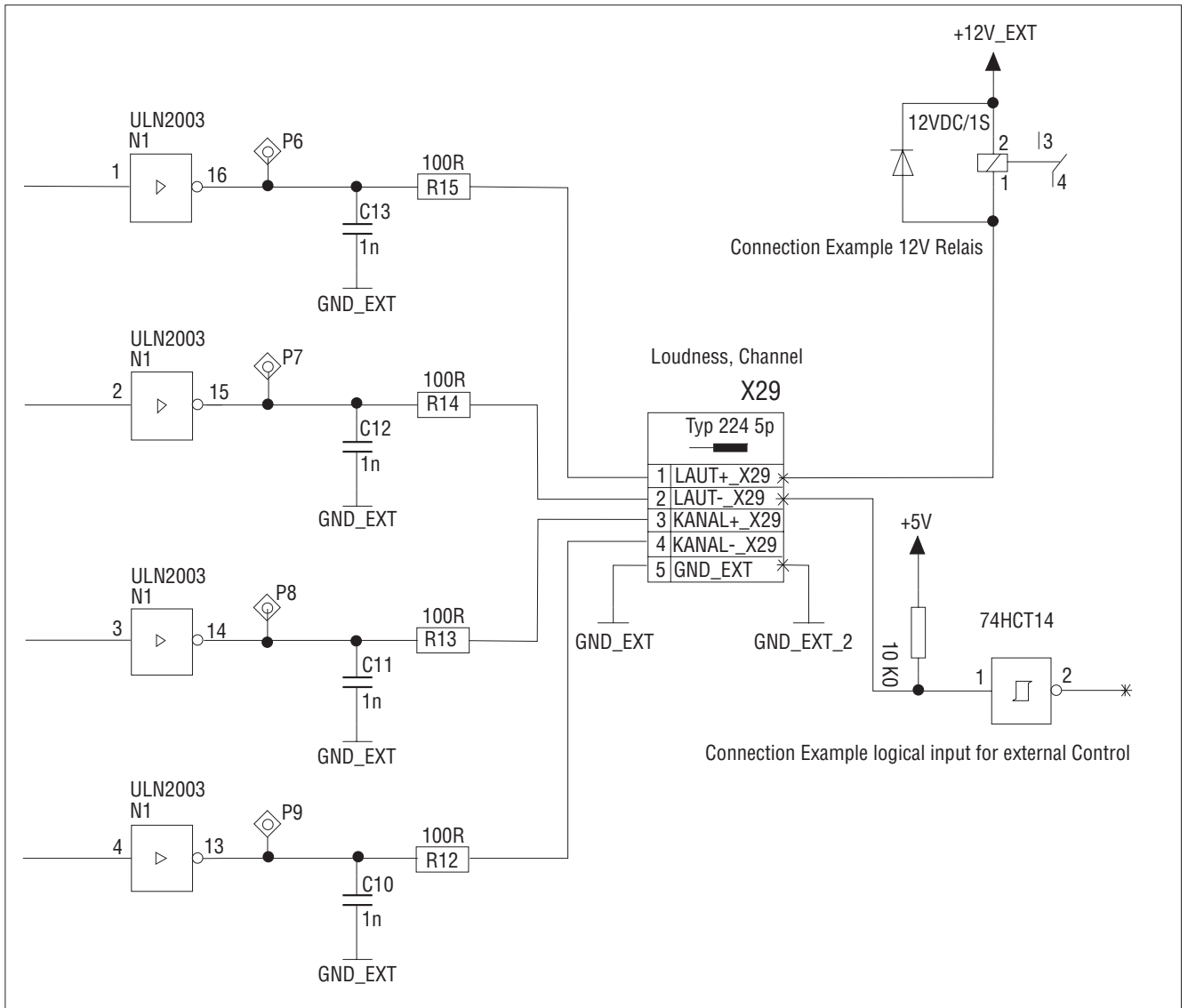
5.2 Audio System

Audio System

The unit have two Audio System Volume buttons (1/10) and two Audio System Selection buttons. The connection of these buttons must be carried out by your external PC-Studio control supplier or your external Audio System supplier (control desk). The connection must be carried out according to the following connection example.

Connection of the Audio System

Connection example for an external relay or logic input of external electronics.



6 SERVICING AND MAINTENANCE



Always unplug the unit from the mains!

Warning

The operator must ensure that the unit is always operated in perfect condition. Ensure the technical equipment is serviced and checked regularly.

Additional measures such as preventing unauthorised access are required when repairing or restarting the unit after servicing.

Only authorised persons may work on the unit, please contact your specialist dealer or PC MARKETING.

Do not use work procedures which impair the safety of the unit.

Always obtain original spare parts from your specialist dealer or PC MARKETING. There cannot assume liability if other lamps, High Pressure lamps, starters or springs are installed other than original parts.

Do not operate the unit without the acrylic panels.

6.1 Exchanging the Acrylic Panel

The acrylic panels are special panels with high UV permeability. Therefore never replace the acrylic panels with window glass or commercial Plexiglas because these partially or completely filter out the UV rays. Always obtain the original acrylic panels from your specialist dealer or the unit manufacturer. On delivery, the replacement acrylic panel is covered on both sides with protective laminate. Remove this laminate before use in the tanning units. Do not operate the unit without the acrylic panels, this no longer ensures that the lamps are cooled.



The manufacturer assumes no liability for damage.

Warning

LIGHTGLASS

1. During installation, ensure that the frosted side of the acrylic panel is always faces the lamps side.
2. Do not polish the frosted side of the acrylic panel with polish.

6.1.1 Acrylic Bed Panel

Changing the bed panel

1. Turn the slots of the catches (12/5) to a vertical position with a coin.
2. Two persons should stand one at either end of the bed panel.
3. Tip the bed panel up at the front and at the same time lift up the bed panel at the rear aluminium profile (12/3) until the aluminium profile slips out of the guide.
4. Lift out the acrylic panel.
Handle with care! Do not scratch the ventilation hoods when lifting out.
5. Place the acrylic panel on an underlay.
6. Remove the side covers (12/2) from the aluminium profile and pull the acrylic panel out of the rail (12/3).
7. Push the long side of the new acrylic glass panel (12/4) completely into the rail (12/3) and fix it with the slide covers (12/2).

Changing the flat panel

1. Remove the two set U-bars (3/5) from the flat acrylic panel (3/10).
2. Lift out the flat acrylic panel using the gripping whole (3/4).
3. Take the flat acrylic panel and place it with the gripping hole facing forward between the limiting screws (3/8) of the lamp cover (3/6).
4. Thread in the two U-bars (3/5) under the flat bed panel and set them upright.

Mounting the bed panel

1. Two people, one at either end, should lift up the bed panel (12/4) and hold it over the bed so that its front long side is lifted up.
2. Insert the rear aluminium profile (12/6) of the bed panel in the longitudinal aluminium profile of the base casing.
3. Tilt the bed panel down at the front until it is lying on the bed.
4. Turn the slots in the bolts (12/5) to the horizontal position.

6.1.2 Acrylic Panel of Canopy

Lower the canopy frame with acrylic panel

1. Take the Allen key.
2. Turn the three hexagon socket head bolts (2/2) with the Allen key.
3. Tilt the frame with the acrylic panel with the front long side down until the frame is lying on the bed.
Please do this carefully!
4. Pull out the plug (2/6) on the inside operating panel.
Warning! The plug is interlocked. Press the button on the plug.
5. Lift the frame with the acrylic panel with both holders (2/7) out of the rear longitudinal canopy profile and place the canopy frame on an underlay.

Removing the acrylic panel

1. Unscrew the 3 screws with which the inside operating panel (2/6) is fixed.
2. Unscrew the 4 EJOT screws (13/2) with round buffer (13/1) at both ends.
3. Push the front and rear long sides of the acrylic panel (12/4) out of the longitudinal aluminium profiles of the canopy frame.
4. Take the new acrylic panel of the canopy and push it into the two aluminium profiles on the long sides.
5. Turn in the 4 screws (13/2) with round buffer (13/1) at both ends so that the acrylic panel is firmly held in place.
6. Fix the inside operating panel (2/6) to the acrylic panel.

Hanging in the canopy frame

1. Hang the canopy frame with holders (13/3) in the rear longitudinal canopy profile and tilt it with the front long side onto the bed.
Please do this carefully!
2. Plug the plug into the inside operating panel (2/6).
3. Tilt the canopy frame (2/3) against the canopy and turn the three hexagon socket head bolts (2/2) with the Allen key.
The canopy frame is fixed.

6.2 Servicing the High Pressure Lamps

The high pressure lamps in the canopy are equipped with a very specific filter glass configuration.

There is an XTT filter disc in front of the three high pressure lamps in the canopy.



Warning

The high-pressure lamps must only be used with the appropriate filter disk configuration for the particular unit you are using. The unit must not be operated if the disks are damaged or missing. Danger of burning! Danger of blinding! If the face tanner is switched on again straight away, depending on the model type, it will either not ignite immediately or will not produce full power as it requires a 4-minute cooling off phase. When replacing the high-pressure lamps, please contact the unit manufacturer or your specialist dealer. No liability is assumed if lamps other than new original lamps are installed.

BREAKSAFE

Every XTT filter disc above the high pressure lamp in the canopy is protected by a BREAKSAFE device. If one of these filter discs breaks, the power supply is interrupted and the unit can only be restarted when the filter disc has been replaced with a new one.

6.2.1 Changing the High Pressure Lamp



Warning

Warning!

Hold the high-pressure lamp by the rectangular base only.

Never pull the high-pressure lamp by the glass bulb.

Never touch the glass bulb of the high-pressure lamp with your fingers.

If you touch the glass bulb by accident, wipe off the fingerprints with a clean cloth soaked in alcohol.

Lower the canopy frame with acrylic panel

1. Take the Allen key.
2. Turn the three hexagon socket head bolts (2/2) with the Allen key.
3. Tilt the frame (2/3) with the acrylic panel with the front long side down until the frame is lying on the bed.

Please do this carefully!

Removing the Filter Disc

1. Pull the two catches on the panel (14/3) and take it off.
2. Take the XTT filter disc (14/4) and push this from the top towards the centre of the unit and fold it down as soon as the panel slips over the two fastening brackets (14/9) at the top.
3. Remove the XTT filter disc.

Removing the High-Pressure Lamp

1. Hold the high-pressure lamp by the rectangular base (14/5).
2. Push the burner longitudinally into the socket (14/6) until the other side becomes free.
3. Remove the lamp.

Cleaning the Reflector

1. Wipe the reflector (14/7) with a clean cloth soaked in alcohol.

Fitting the High-Pressure Lamp

1. Hold the new high-pressure burner by the base (14/5).
2. Insert the lamp in the holder (14/6).
3. Press back the holder.
4. Insert the lamp.

Cleaning the Filter Disc

1. Clean the filter disc (14/4) with warm water. The water may contain a little detergent.
2. Dry the filter disc with a clean cloth.

Fitting the Filter Disc

The canopy must not be used without the filter discs!

The coated side of the XTT filter disc (14/4) faces the lamp side.

It must be possible to read the uwe Logo on the XTT filter disc from the bed.

Warning!

When assembling

1. Push the XTT filter disc (14/4) from the centre of the face tanner casing over the two holders (14/9) at the top and fold the XTT filter disc against the face tanner casing.
2. Push the XTT filter disc over the other two holders.
Make sure that the XTT filter disc is adjusted exactly above the four holders.
When mounting the XTT filter disc the bolt of the micro-switch (14/8) is pressed back for the BREAKSAFE fuse.
3. Mount the panel (14/3) by pressing the catches.

Mounting the canopy frame with acrylic panel

1. Fold the frame (2/3) against the canopy until they are touching.
2. Turn the three hexagon socket head bolts (2/2) with the Allen key.

6.3 Exchanging the Lamps

Burning-in the Lamps

The lamps differ slightly in colour to begin with. These differences in colour disappear after a short time. The lamps are darker at the ends. This is a physical property and not a fault with the lamp.

6.3.1 Exchanging the Long Sunlamp

Exchanging the Lamp

1. Remove the appropriate acrylic panel (see Chapter 6.1).
2. Turn the sunlamp (15/3) in either direction until the contact pins can be seen in the groove of the lamp holder.
3. Remove the lamp.
4. Clean the reflector (15/6) with a clean cloth soaked in alcohol.
5. Hold the new sunlamp (15/3) horizontally so that the contact pins are vertically above one another.
6. Press the sunlamp into the lamp holder (15/4) in this position. Turn the sunlamp 90 degrees so that the notch in the metal ring at the end of the lamp is at the top.
If using a reflector lamp, the lighter reflector side of the lamp must face the unit and the stamp of the lamp must face the user.
7. Fit the appropriate acrylic panel.

6.3.2 Exchanging the Illumination Lamps behind the uwe Logo on the Canopy

There are two illumination lamps (16/3) behind the uwe logo in the canopy.

The uwe logo lights up as long as the unit is electrically connected.

Lower the canopy frame with acrylic panel

1. Take the Allen key.
2. Turn the three hexagon socket head bolts (2/2) with the Allen key.
3. Tilt the canopy frame (2/3) with the acrylic panel with the front long side down until the frame is lying on the bed.
Please do this carefully!

Removing the Canopy Covers

1. Remove the cover (8/3) with the hose at the back of the unit.
2. Unscrew the 3 screws 60 x 14 (16/5) on each side from inside the canopy.
3. Take off both side covers (16/6).
4. Pull the two cover plates (16/7) out of the longitudinal grooves and put the covers to one side.
5. Push the large covering panel (16/1) up out of the front longitudinal groove.
Warning! The covering panel is under voltage, work cautiously!
6. Pull the cover out of the rear longitudinal groove and put the cover to one side.

Exchanging the Lamp

1. Remove the uwe-Logo (16/4).
2. Only hold the defective lamp by the base (16/3) and pull it out of the holder (16/2).
3. Clean the lamp reflector.
4. Fit the new lamp into the holder.
5. Fix the uwe-Logo (16/4).

Fitting the Covering Panel

1. Insert the two cover plates (16/7, see picture 16) with their long edges in the groove of the longitudinal holders (canopy).
2. Insert the covering panel (16/1) with the long edge with the slotted recesses in the groove of the rear longitudinal holder.
2. Lower the large covering panel carefully and insert its front long edge into the groove in the front longitudinal holder.
3. Push the covering panels (16/6) over the longitudinal holders on both sides and fix them with three screws 60 x 14 (16/5) each.
4. Assemble the cover (8/3) with the hose of the connection channel (8/1) at the back of the unit.

Mounting the Canopy Frame with Acrylic Panel

1. Fold the canopy frame (2/3) with acrylic panel against the canopy until they are touching.
2. Turn the three hexagon socket head bolts (2/2) with the Allen key.
The frame is fixed in place.

6.3.3 Bed Illumination Lamp (FLOORLIGHT)

Removing the Large Covering Panel in Front of the Base

1. Lift the cover (4/5) slightly off the base and pull it off towards the front.

Exchanging the Lamp

1. Unscrew the 4 screws 2,9 x 9,5 (17/2).
2. Remove the acrylic cover (17/4) with the lamp.
3. Turn the sunlamp (17/3) in any direction until the contact pins are visible in the groove of the socket.
4. Remove the lamp.
5. Hold the new sunlamp horizontally so that the contact pins are laying one behind the other.
6. Press the sunlamp into the lamp holder in this position.
7. Turn the sunlamp 90 degrees so that the notch in the metal ring at the end of the lamp is at the top.
8. Fit the acrylic cover (17/4) with the lamp.

Fitting the Large Covering Panel in Front of the Base

1. Push the large covering panel (4/5) onto the base casing from the front parallel to the base casing.
2. First hang the bottom hooks (4/1) of the covering panel over the holders (4/2) of the base and tilt the covering panel fully against the base at the top.
The top elongated holes (4/3) in the covering panel snap into the lugs (4/4) of the base.

6.4 Exchanging the Filter Mats

The air used to cool the unit is passed over micro-filter mats as it enters the unit. These mats filter out fluff, hair, dust particles etc. to minimize the need for cleaning internal parts such as lamps. These filtered particles block the filter after long-term use and reduce the cooling effect of the unit. Therefore, you should renew the filter mats from time to time to prevent the unit from overheating. How frequently you should change the filter mats depends on the operating time and amount of dirt.



Only install original filter mats obtained from your specialist dealer or unit manufacturer.

Warning

1. Check the filters after every 200 operating hours.

6.4.1 Filter Mats in the Base Casing

Removing the Large Covering Panel in Front of the Base

1. Lift the cover (4/5) slightly off the base and pull it off towards the front.

Exchanging the Filter Mats

1. Pull out the long filter mat strips (18/1, 18/2) and the rectangular filter mat section (18/3, only in units with an air conditioning unit).
2. Fit the new clean filter mat sections into the groove (for example 18/4 and 18/5) of the appropriate mounting position.

Fitting the Large Covering Panel in Front of the Base

1. Push the large covering panel (4/5) onto the base casing from the front parallel to the base casing.
2. First hang the bottom hooks (4/1) of the covering panel over the holders (4/2) of the base and tilt the covering panel fully against the base at the top.
The top elongated holes (4/3) in the covering panel snap into the lugs (4/4) of the base.

6.4.2 Filter Mats in the Canopy

Lowering the Canopy Frame with Acrylic Panel

1. Take the Allen key.
2. Turn the three hexagon socket head bolts (19/4) with the Allen key.
3. Tilt the frame (19/3) with the acrylic panel with the front long side down until the frame is lying on the bed.

Please do this carefully!

Exchanging the Filter Mats

1. Pull off the filter mats (19/1) from the outside of the canopy frame (19/3).
2. Insert the new filter mat tightly in the frame.
3. Insert the fixing pins (19/2) into the round recesses of the filter mat (19/1).

Mounting the Canopy Frame with Acrylic Panel

1. Fold the frame (19/3) with acrylic panel against the canopy until they are touching.
2. Turn the three hexagon socket head bolts (19/4) with the Allen key.
The frame is fixed in place.

6.4.3 Filter Mats in the bed

(only unit Type 7019/132 HD without an air conditioning unit)

Lifting up the Bed Panel

1. Turn the slots in the bolts (3/7) to a vertical position with a coin.
2. Lift up the bed panel (3/1) at the front.
3. Take both support rods (3/2) out of their rests and support the bed panel (3/1) with the rods.

Exchanging the Filter Mats

1. Pull out the filter mat of the lamp cover bracket on the head side.
2. Fit the new clean filter mat into the lamp cover bracket.
The filter mat must be under the three screws of the lamp cover bracket.

Installing the Acrylic Bed Panels

1. Adjust the two support rods (3/2) in their rests and lower the bed panel (3/1) until it is resting on the bed.
2. Turn the slots in the bolts (3/7) to the horizontal position.

7 TIPS FOR RECTIFYING SMALLER FAULTS



Always unplug the unit before you begin servicing and repair work.

Repairs must only be carried out by authorised persons.

Safety features must not be disassembled or put out of operation.

Warning The unit must be tested to DIN VDE.

- **Dark spots at the ends of the lamps**

Dark spots which appear at the ends of the lamps when they are switched off have no detrimental effect on the performance of the unit. Exchange the starter as a precautionary measure.

- **One or several lamps not lit (change starter)**

Changing the Starter

1. Remove the appropriate acrylic panel.
2. Check if the lamp is inserted correctly.
3. Check the starter is inserted correctly.
4. Remove the starter of the lamp (see table 2) that does not light by turning it counterclockwise and then reinsert by turning clockwise.
5. If the lamp still does not light, try inserting the starter of an intact lamp.
6. If this does not work, you must check the lamp.
7. Insert the lamp which does not light into a lamp holder where another lamp functions properly. If the lamp does not light, the lamp is faulty and must be exchanged. If it does light up however there is an electric fault with the unit.



Inspection by PC MARKETING or an inspection centre named by PC MARKETING.

Function

	Starter position	Action
Canopy	On base lamp holders	Lower canopy frame
Bed	On base lamp holders	Lift up bed panel, remove flat acrylic panel
Illumination lamp	at appropriate lamp holder	

- **The tanning canopy or tanning bed becomes too hot**

1. Check if the air filters (filter mats) are blocked.
2. With direct air return, ensure that the warmed cooling air is carried away properly. The air must not be trapped in the hose or ventilation duct since this can cause the unit to overheat. The outgoing air hose must be laid without knicks.

Further information about effective ventilation and air conditioning can be found in the "Ventilation Tips" catalogue available either from us or from your specialist dealer.



Inspection by PC MARKETING or an inspection centre named by PC MARKETING.

Function

8 DISPOSAL

Lamp

Fluorescent lamps, high pressure lamps and illumination lamps are hazardous waste. They cannot be disposed of with other domestic waste. Local authorities provide information on the disposal of these lamps.

Unit

Faulty units should be disposed of according to local regulations.

INFORMATION FOR ENGINEERS AND UWE SPECIALISTS

9 INSTALLATION OF THE PROFI UNIT

The unit may only be set up by PC MARKETING personnel or authorised persons. At least two people are required to set up the unit. The rooms for setting up and operating the unit must be well ventilated or there is danger of the unit overheating.

9.1 Place of Installation and State on Delivery

The unit is transported and delivered pre-assembled on a pallet. The unit is firmly secured on the pallet with straps and wrapped in protective wrap. The pallet must be unloaded on-site using a hydraulic ramp or fork-lift truck. The unit must be dismantled on the pallet and then transferred to and reassembled at the installation site. All units are intended solely for tanning indoors. The unit must only be operated in areas free from the danger of explosions and in dry rooms. The rooms must be well-ventilated.

9.2 Assembly and Installation

1. Remove the straps and packaging wrap.

9.2.1 Disassembling the Canopy Frame

Disassembling the Canopy Frame with Acrylic Panel

1. Push up the canopy and remove the head cushion and various small parts.
2. Take the Allen key.
3. Turn the three hexagon socket head bolts (2/2) on the canopy frame with the Allen key.
4. Tilt the canopy frame (2/3, complete with acrylic panel) with the front long side down until the frame is lying on the bed.
Please do this carefully!
5. Pull out the plug on the internal operating panel (2/6).
Warning! The plug is secured. Press the button on the plug.
6. Lift up the canopy frame slightly at the front long side and lift the canopy frame with both its holders (2/7) out of the rear longitudinal canopy profile.
7. Take the canopy frame (2/3) to the place of installation.

9.2.2 Disassembling the Bed

Disassembling the Bed Panel

1. Turn the slots of the catches (3/7) to a vertical position with a coin.
2. Two persons should stand one at either end of the bed panel.
3. Tip the bed panel up at the front long side and at the same time lift up the bed panel at the rear aluminium profile (3/9) until the aluminium profile slips out of the guide.
4. Lift out the bed panel (3/1).
Handle with care! Do not scratch the ventilation hoods when lifting out.
5. **Take the bed panel to the place of installation.**

Further Disassembly

1. Remove the two set U-bars (3/5) from the flat acrylic panel (3/10).
2. Lift out the flat acrylic panel using the gripping hole (3/4).
3. Remove the lamp cover brackets (3/6) on either side.

9.2.3 Disassembling the Boards and Air Conditioning Unit

Removing the Large Covering Panel in Front of the Base

1. Lift the cover (4/5) slightly off the base and then pull it off towards the front.

Disassembling the Boards

1. Loosen the two hexagon socket head screws M 4 x 12 (5/1) with the Allen key and fold down the left covering panel (5/2, control panel).
2. Turn the bolt (7/1) on the right covering panel and unhook the covering panel (7/2, only in units with air conditioning panel).
3. Pull out all plug connections on the control panel (5/2) and take the control panel to the place of installation.
Please pull out the yellowgreen earth conductor from the terminal number 10 on the control panel.
4. Disconnect all connections between the unit and the three boards (6/3, 6/4, 6/5).
5. Disassemble the long front rail (5/3).
6. Pull the three boards: canopy (6/5), canopy IGB (6/4) and bed (6/3) forward in the guide rail and take them to the place of installation.

Removing the Air Conditioning Unit (Unit Type 7019/132 HD is without Air Conditioning Unit)

1. Remove the fixing bracket (7/3) in front of the air conditioning unit.
2. Check whether the cable of the air conditioning unit is unplugged.
3. Pull the air conditioning unit (7/4) forward carefully.
4. Take the air conditioning unit to the place of installation.

9.2.4 Disassembling the Canopy

1. Loosen the cable clips Ø 16 mm on the three canopy cables from the inside of the base casing.
Loosen the yellowgreen earth conductor comes from the Canopy from the left hand wall of the base casing.
2. Unplug the inside operating cable from the left hand wall (7/5) of the base casing.
3. Disassemble the cover (8/3) of the connection channel at the back of the unit (4 screws).
4. Disassemble the connection channel (8/1, 6 screws) and pull up the canopy cables through the chimney.
5. Loosen the hose clip (8/4) from the hose from its connection inside the cover (8/3).
6. Take the connection channel (8/1) and the cover (8/3) to the place of installation.
7. Roll up the canopy cables behind the hose and fix them.
8. Pull up the canopy slightly and support the canopy at the front long side.
9. Loosen the gas pressure springs (9/5) at their top attachment (9/6).
10. Turn out the safety clip and pull out the whole attachment (9/6).
11. Loosens the nut M10 (9/1) and washer with a size 17 open-end wrench whilst holding the bolt (8/2) with a size 19 open-end wrench.
12. Lift up the canopy past the suspension (9/3) and take it to the place of installation.

9.2.5 Dismantling the Casing

Disassembling the Ventilation Hoods

1. Unscrew the two EJOT screws 60 x 14 (10/6) at the front and back of every ventilation hood (10/5).
2. Pull the head and base side ventilation hood complete with support rod towards the centre of the unit.
The snap catch (10/4) releases and the ventilation hoods can be removed.

Disassembling the Base Casing

1. Start with one cover and unscrew the screw 4.8 x 9.5 (10/2) from the holder.
2. Over this unscrew the screw (10/3) which is screwed in the cover.
3. Unscrew the screws 60 x 14 (10/7) which is screwed through the fastening bracket (10/8) into the cover panel.
4. Loosen the other nuts of two screws DIN 933 M 6 x 12 (10/9), through the fixing bracket into the aluminium profile slightly and push the bracket towards the middle of the unit.
5. Pull away the cover (10/1) carefully.
The recesses of the cover (10/1) slip over the longitudinal aluminium profiles of the base.
6. Do the same with the second cover.
7. Roll up all cables in the base and fix them.

9.2.6 Disassembling the Kinematics Holder (if necessary due to shape of building)

Disassembling the Kinematics Holder

1. Unscrew the four slotted cylinder head screws 6 x 20 (11/3) with washers from the kinematics holders (11/1).
2. Slightly loosen the M 6 nut of the screw (11/6) which has its shank inserted in the slotted recess (11/4) of the holder.
3. Lift up the base (11/9) slightly and remove the kinematics holder (11/1) from the bottom.
4. Do the same with the second kinematics holder.
5. Also disassemble the upper part of the chimney (8/8) if necessary.
6. Make sure you fix the long front rail (5/3) in front of the base and take the base complete with frame to the place of installation.
The front rail (5/3) must be mounted when carrying!

9.2.7 Assembling the Base

Assembling the Base and Kinematics

1. Install the base (11/9) in the solarium room according to the geometrical conditions.
2. If you have disassembled the two kinematics holders (11/1) of the base beforehand, these must be disassembled.
3. Lift up the base slightly at the rear and insert the kinematics holder (11/1) with foot into the base from below.
Warning! There is a right and a left kinematic holder.
4. Push the head of the screw DIN 933 M 6 x 20 (11/6) in the groove (11/5) towards the centre of the unit until the shank of the screw is sitting in the slotted recess (11/4) in the holder.
5. Secure the bolt (11/6) with a nut and washer.
6. Screw in the 4 slotted cylinder head screws 6 x 20 (11/3) with one washer each to fix the kinematics holder.
Make sure they are tightened.
7. Mount the second kinematics holder in the same way.
8. Adjust the five feet (11/2) according to floor conditions.
The base must be horizontal.
Minimum spacing base frame – floor 20 mm.
9. Tighten the feet against the base with an M 10 nut (11/8) and washer.
10. Check whether the shielding panel (21/2) in the intermediate wall of the base is mounted when the Unit Type is 7019/132 HD (**The Unit Type 7019/132 HD is operated without an air conditioning unit**).
11. Mount the upper part of the chimney (8/8) with six screws 4.2 x 9.5 if you have dismantled it beforehand.

9.2.8 Assembling the Canopy

Assembling the canopy

1. Take the canopy and hang it in the kinematics holder (9/3) with its bolts (see picture 9).
The Kinematic carrier (9/3) must be hung in between the bolt (9/2) and the washer on the one side and the washer with nut M10 (9/1) on the other side.
2. Tighten the nut M10 (9/1) with a size 17 open-end wrench against the size 19 bolt (9/2).
Make sure they are tightened!
3. Pull up the canopy slightly and mount the gas pressure springs.
4. Push the bolt of the attachment (9/6) through the gas pressure spring and canopy, and turn in the safety clip.
5. Take the three canopy cables and the internal operating cable and pull these through the the cover (8/3) of the connection channel (8/1).
6. Pull the hose (8/7) over the connecting union of the cover and fix it with the hose clip (8/4).
7. Take the three canopy cables, the internal operating cable and the yellowgreen earth conductor and pull these through the connection channel (8/1) and the rectangular recess (8/6) of the rear base casing panel in to the inside of the base casing.
8. Assemble the connection channel (8/1).
9. Assemble the cover (8/3) with hose on the connection channel (8/1).
10. You should now mount the air extraction duct (picture 22) on the chimney (8/8).
11. Fix the three canopy cables with the Ø 16 mm cable clips from the inside of the base casing.
12. Plug the inside operating cable into the left hand wall (7/5) of the base casing.

9.2.9 Assembling the Casing

Assembling the Casing

1. Insert the coding plug in the socket (11/7) and locked it with the clip.
2. Pull the coding cable according the hard side of the base to the way back.
3. Take a hard end (10/1) of the base and push it over the ends of the two longitudinal aluminium profiles of the base.
4. Line up the hole (10/2) in the front bottom end holder with the hole in the base (10/11) and screw in the screw 4.8 x 9.5 (10/2) from the front.
5. Over this screw the screw (10/3) in the cover.
6. Push the fixing bracket flush (10/8) onto the end part and screw in the screw 60 x 14 (10/7) into the end part.
7. Tighten the nuts of the two screws DIN 933 M 6 x 12 (10/9) to the fixing bracket.
8. Do the same with the other end side.
9. Insert the ventilation grille cover (10/5) with support rod in the end part from the inside until it snaps (10/4) tight and screw in the EJOT screws 60 x 14 (10/6) at the front and rear for fastening.
Warning! The rubber buffer of the support rod must show back.
10. Do the same with the second ventilation grille cover.

9.3 Assembling the Boards and Air Conditioning Unit (Unit Type 7019/132 HD is without Air Conditioning Unit)

Inserting the Air Conditioning Unit

1. Remove the long front rail (5/3) from the base frame.
2. Take the air conditioning unit (7/4) and push it into the recess of the base frame up to the stop at the back and to the partition wall of the base frame on the left.
The cable of the air conditioning unit should be in front of the air conditioning unit.
3. Adjust the air conditioning unit with the mounting bracket (7/3).

Inserting the Boards

1. First pushes the canopy board (6/5) then the canopy face tanner board (6/4) and finally the bed board (6/3) into the guide rail (6/2) up to the back stop in the base frame.
2. Mount the long front rail (5/3) in front of the base frame.
3. Place the control board (5/2) in front of the mounting boards with the electrical components facing upwards.

The mains cable is guided out of the base through a pressure screw (11/10).

The unit is not delivered with a main cable.

4. Feed the mains cable (installed by a licensed electrician) through the pressure screw (11/10) inside to the control board and tighten the clip of the pressure screw.
5. Connect the main cable on the control board (see chapter 9.5).
6. Pull the cable of the air conditioning from the control board through the recess of the base partition wall (20/5) to the right and plug the plug of the air conditioning unit to the control board cable (unit Type 7019/132 HD is without Air Conditioning Unit).
7. The unit is not delivered with a outgoing cable of the air conditioning. Feed the outgoing cable of the air conditioning (installed by a licensed electrician) through the pressure screw (11/11) inside to the control board and connect it (Wiring diagram).
8. Plug together all connectors (6/1) between the unit, the mounting boards and the control board.

Remove all the connections of the following table.

Please fasten the yellowgreen earth conductor in the terminal number 11 (X52) on the control panel.

Fasten the yellowgreen earth conductor of the canopy at the left hand wall of the base casing.

Ensure that the cables of the base are in the holder specified for the cables and not on the ballasts.

9. Place the control board (5/2) in the U-shaped groove of the long front rail (5/3) and fold the cover against the base frame.

The electrical components are on the inside and no longer accessible.

10. Screw the two hexagon socket head screws M 4 x 12 (5/1) through the control board into the base frame with an Allen key.
11. Place the cover plate (7/2, in front of the air conditioning unit) in the U-shaped groove of the long front rail and fold the cover plate against the base frame.
12. Turn the bolt (7/1).

Overview of connections

	Board No. 1 Control	Board No. 2 Bed	Board No. 3 Canopy face tanner	Boar No. 4 Canopy
Board No. 2 Bed	X1, 18-pin			
Board No. 3 Canopy face tanner	X4, 18-pin			
Board No. 4 Canopy	X7, 18-pin			
Base	X10, 18-pin			
Warm air recirculation (accessories)	X14, 9-pin			
Air conditioning unit (option)	X12			
Bed		X2, 18-pin		
Bed		X3, 18-pin		
Canopy			X5, 18-pin	
Canopy				X8, 18-pin
Canopy				X9, 18-pin

Fitting the Large Covering Panel in Front of the Base

1. Push the large covering panel (4/5) onto the base casing from the front parallel to the base casing.
2. First hang the bottom hooks (4/1) of the covering panel over the holders (4/2) of the base and tilt the covering panel fully against the base at the top. The top elongated holes (4/3) in the covering panel snap into the lugs (4/4) of the base.

9.3.1 Assembling the Bed

Assembling the Bed

1. Place both lamp covers (3/6) on the holder.
The heads of the M 6 x 10 screws of the holder plate fit into the holes (diameter 12 mm) of the lamp cover (3/6).
Unit Type 7019/132 HD without an air conditioning unit: Place the lamp cover with the filter mat at the head side.
2. Place the flat acrylic panel (3/10) with the gripping hole at the front between the limiting screws (3/8) of the lamp cover.
3. Thread in the two U-bars (3/5) under the flat bed panel and set them upright.
Warning! Don't forget the U-Bars.
4. Two people, one at either end, should lift up the bed panel (3/1) and hold it over the bed so that its front long side is lifted up.
5. Insert the rear aluminium profile (3/9) of the bed panel in the longitudinal aluminium profile of the bed.
6. Tilt the bed panel down at the front until it is lying on the bed.
7. Turn the slots in the bolts (3/7) to the horizontal position.

9.3.2 Assembling the Canopy Frame

Hanging in the Canopy Frame

1. Hang the canopy frame (2/3) with holders (2/7) in the rear longitudinal canopy profile and tilt it with the front long side onto the bed.
2. Plug the plug into the inside operating panel (2/6).
3. Tilt the canopy frame against the canopy and turn both hexagon socket head bolts (2/2) with the Allen key.
The canopy frame is fixed.

9.4 Connecting the Exhaust



Warning

Warning! Important Information!

Only feed the heated cooling air through a direct air outlet (central exhaust) from the exhaust air channel of the unit (picture 22).

Therefore it is essential to connect the air extraction duct to the exhaust air channel of the unit with which you can feed out the exhaust air.

Warning, Important Information! Please Read, Danger of Overheating!

If the exhaust air is discharged to the atmosphere via a ventilation shaft, ensure minimum flow resistance inside the shaft. Fit a booster fan if required. In this case please consult an air-conditioning / ventilation engineer.

The discharge airflow is approx. 1.500 cfm/hour. The same amount of fresh air must be aspirated into the cabin of the unit. You must therefore install fresh air vents in the cabin wall with an open cross section of at least 1500 cm².

9.4.1 Air extraction duct (picture 22)

- Air extraction duct

The air must be taken directly from the exhaust duct of the unit by a special air extraction duct.

9.5 Electrical Connection



Warning

Warning:

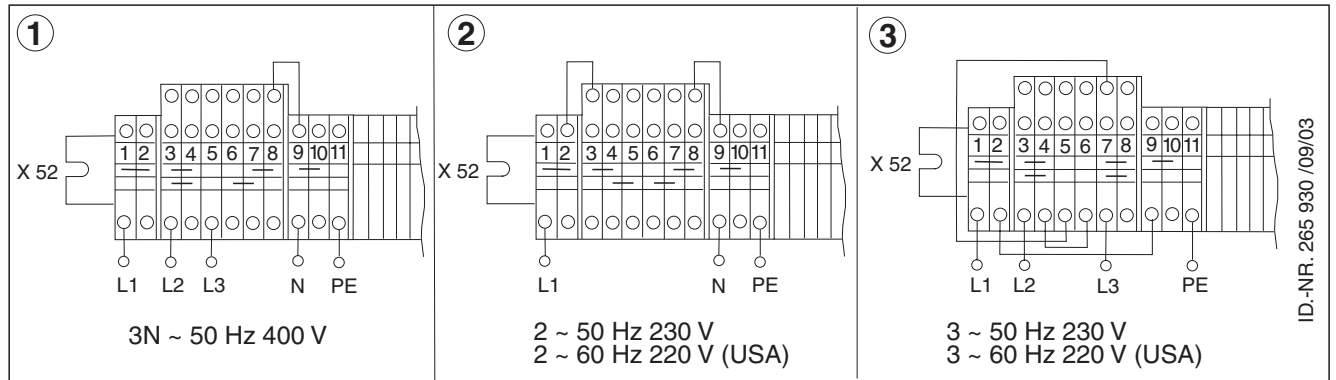
Electrical connections must be carried out by a qualified electrician in accordance with the valid DIN, VDE and UVV specifications. The persons setting up the unit must test the unit and write a report in accordance with an adequate national norm, The maximum power system impedance must be limited to (0,33 + j 0,207) ohm.

The unit is not delivered with a power cable for connection. The three-phase current cable must be installed by a licensed electrician.

The appropriate wiring diagram is supplied with every unit.

1. Install a separation device in the permanently fixed electrical installation to separate the mains power with a contact opening of at least 3 mm on each pole.

Power Connection



9.6 Coin Meter or Central Desk Operation

The unit may only be connected by a qualified electrician in accordance with the appropriate national norm.

Unplug the unit.

Fitting the Coin Meter

1. Open the unit.
2. Separate the cable connection between the door and housing.
3. Remove the main door and coin container.
4. Push out the holes you require in the housing for the power cable.
5. Screw the cable glands supplied into the openings.
6. Mount the unit with 3 plugged screws.

The unit must be fitted vertically to a solid, vibration-free wall.

7. Pull the mains cable and control wires through the cable glands.
8. Connect the cables to the labelled connections.

It is essential to provide an all-pole mains disconnecter (contact opening 3 mm) between the coin timer and power supply and an earth connection.

9. Connect the cable connections between the mains supply circuit and the main board and earth.
10. Insert the coin container and the main door.
11. Close the unit.

Information on operating and setting the unit can be found in the coin meter operating instructions.

For safety reasons, ensure that the maximum tanning session with these units is limited:

to 20 minutes by Unit Type 7019/132 HD (lamps ETERNAL SUN)

to 15 minutes by Unit Type 7019/131 HD (lamps COSMEDICO COSMOLUX VHO 160 W)

to 12 minutes by Unit Type 7019/130 HD (lamps COSMEDICO COSMOLUX VHR 160 W)

9.7 T-Max Timer

The unit may only be connected by a qualified electrician in accordance with the appropriate national norm.

Unplug the unit.

By using an external coin box, disconnect the wiring to T-Max Adapter. Separate the electric connections between the No. 13/14, (24/1) No. 15/16, No. 17/18 and No. 19/20 of the terminal X56 at the left hand wall of the base casing (see picture 24).

The T-Max cable (26/2, 10 metres long) is supplied with every unit. Plug the plug (26/3) of the T-Max cable into the T-Max Adapter (26/4) of the control board (26/5). Feed the cable through the recess (11/12) of the base outside and connect the cable at the T-Max Timer (26/1). Remove the connections of the table in picture 26.

The wiring diagram of the T-Max Timer see picture 25.

Information about assembling and other important facts draw from the T-Max guide, which is supplied every T-Max Timer.

10 TECHNICAL DATA

10.1 Technical Specifications and Dimensions

	LOTUS	LOTUS	LOTUS
Unit Type	7019/130 HD	7019/131 HD	7019/132 HD
	With Air Conditioning Unit	With Air Conditioning Unit	Without Air Conditioning Unit
Power [kW]	10	10	6,8
Operating voltage [V]	220 3~/2~ 60 Hz	220 3~/ 60 Hz	220 3~/ 60 Hz
Amperage [A]	40/63	40/63	25/40
Weight [kg]	450-500	450-500	450-500
Dimensions:			
Length [inch]	90	90	90
Depth [inch]	49,2	49,2	49,2
Height with exhaust channel [inch]	72,7	72,7	72,7
Cabin L X W [inch]	95 x 87	95 x 87	95 x 87
Noise emission ≤ 70 dB (A)			
The installation site must have a floor loading capacity of at least 110 lbs and must be even.			

*Subject to technical alterations.

	Skin type II	Skin type III	Skin type IV
Maximum number of tanning sessions per year	60 (≤ 15 kJ/m ²)	43 (≤ 15 kJ/m ²)	33 (≤ 15 kJ/m ²)

Lamp configuration

Unit	LOTUS 7019/130 HD	LOTUS 7019/131 HD	LOTUS 7019/132 HD
Canopy face	3 x BQ 471 Z 400 W	3 x BQ 471 Z 4 4 400 W	3 x BQ 471 Z 4 4 400 W
Canopy body	22 x COSMEDICO COSMOLUX VHR 160 W (COS-NO. 16180)	22 x COSMEDICO COSMOLUX VHO 160 W (COS-NO. 16161)	22 x WOLFF-SYSTEM – ETERNAL SUN F 71 100 W (WOLFF NO. 21182)
Canopy uwe logo illumination	2 x PL-S 7 W/840 2 P. Sock. 23	2 x PL-S 7 W/840 2 P. Sock. 23	2 x PL-S 7 W/840 2 P. Sock. 23
Bed	18 x COSMEDICO COSMOLUX VHR 160 W (COS-NO. 16180)	18 x COSMEDICO COSMOLUX VHO 160 W (COS-NO. 16161)	18 x WOLFF-SYSTEM – ETERNAL SUN F 71 100 W (WOLFF NO. 21182)
FLOORLIGHT	1 x 18 W	1 x 18 W	1 x 18 W
Filter disc	one filter disc Type 322 interference (product identification 02935)	one filter disc Type 324 interference (product identification 02936)	one filter disc Type 324 interference (product identification 02936)

Turn off the power to the unit before changing lamps.

RELAMPING INSTRUCTIONS

REPLACING LAMP TYPES

CAUTION: REPLACE ONLY WITH ORIGINAL LAMPS OR FDA APPROVES EQUIVALENT

10.2 Sunlamp Covering (Filter Discs)

The sources of UV-light are covered in the canopy by a panel of 3 mm thick acrylic glass and in the bed by a panel of acrylic glass 5 mm thick and by a panel of acrylic glass 3 mm thick.

The acrylic panel and the bed panel can be ordered as LIGHTGLASS (frosted on one side) if required.

The high pressure lamps of the LOTUS unit are covered with the following filter discs:

Three High pressure lamps: one filter disc each (see table in the top).

The high pressure lamps are covered by a 3 mm thick polished acrylic panel.

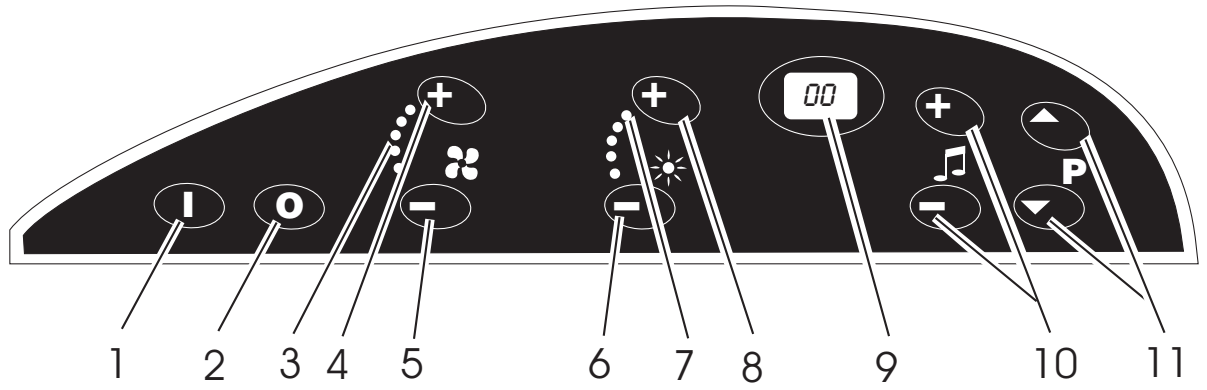
A reflector made of mirror-finish rolled; electrolytically polished and anodized aluminum is fitted between the lamps and the canopy and bed support.

11 Customer Service Address

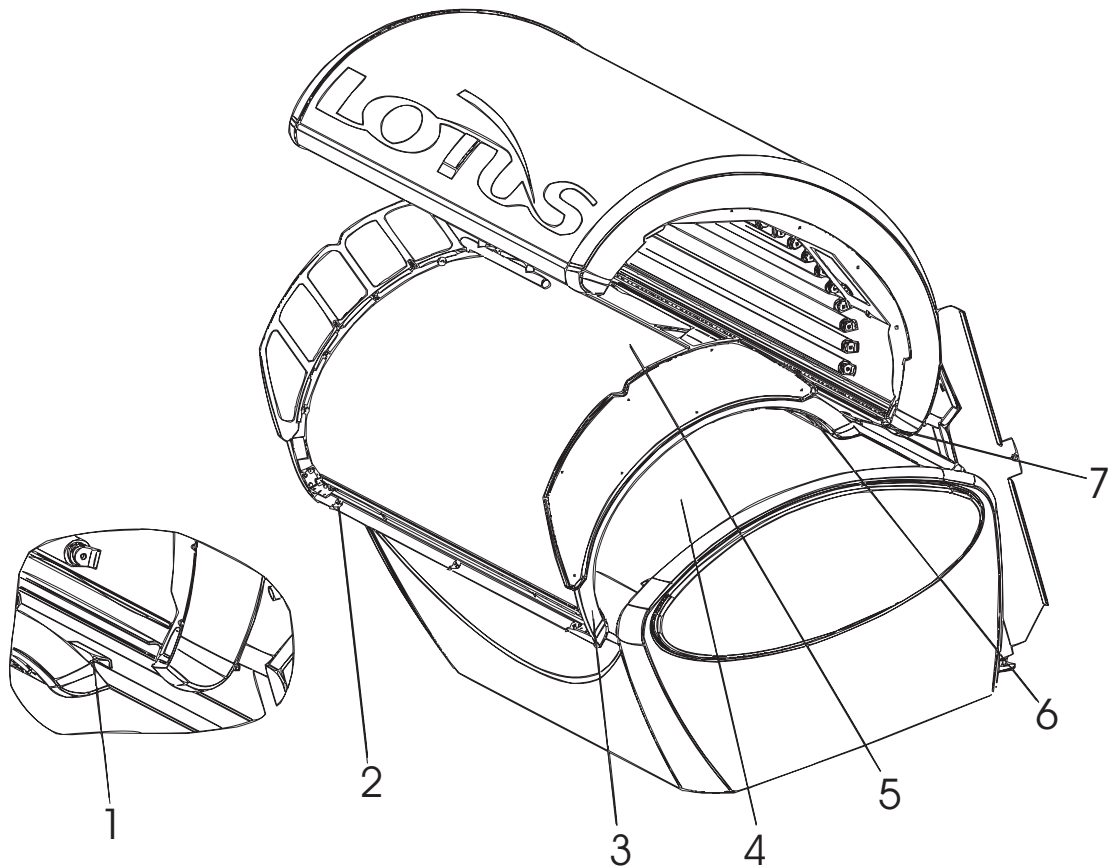
PC MARKETING
1040 WILT AVENUE
RIDGFIELD, NJ 07657

1-800-FAST TAN

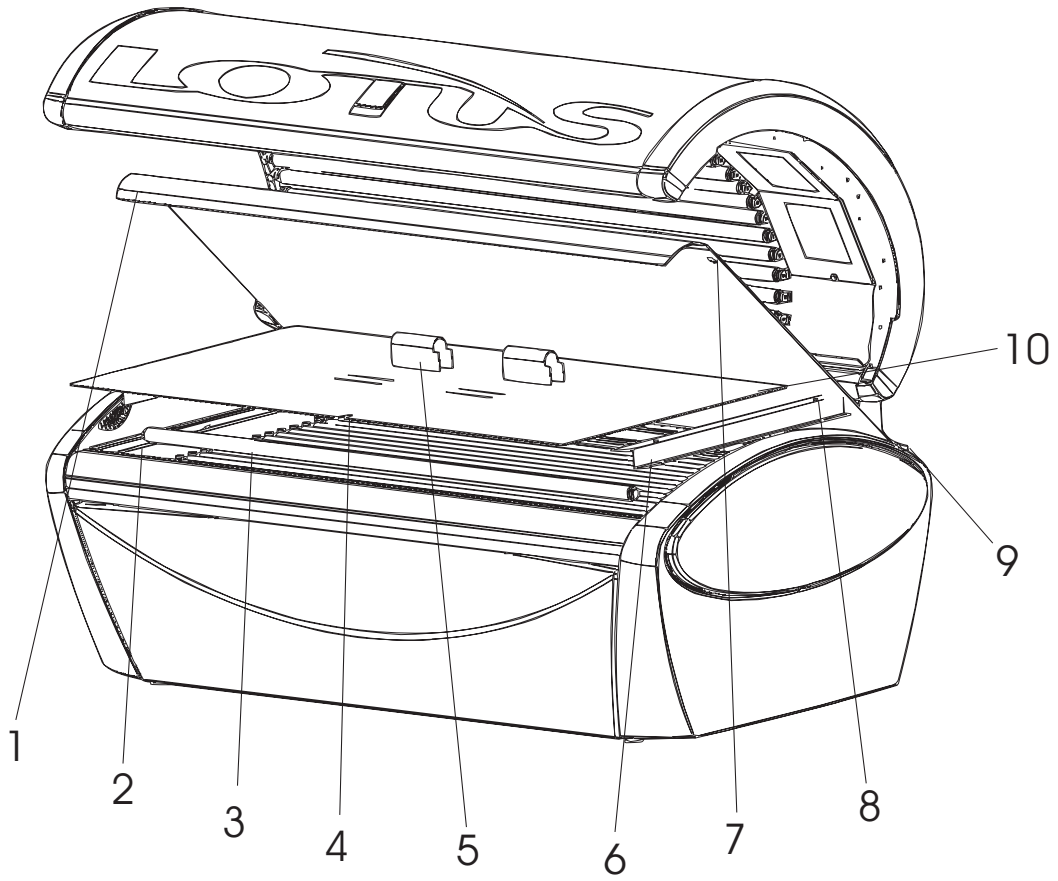
1



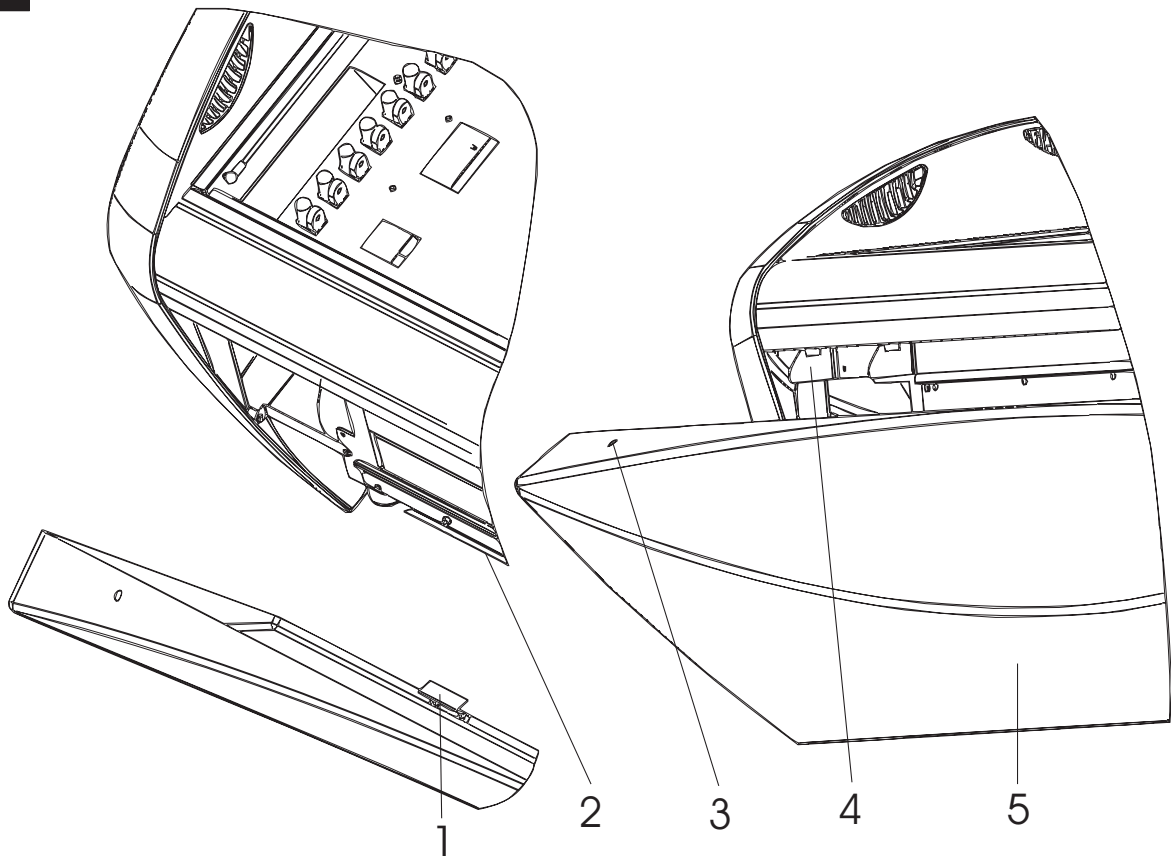
2



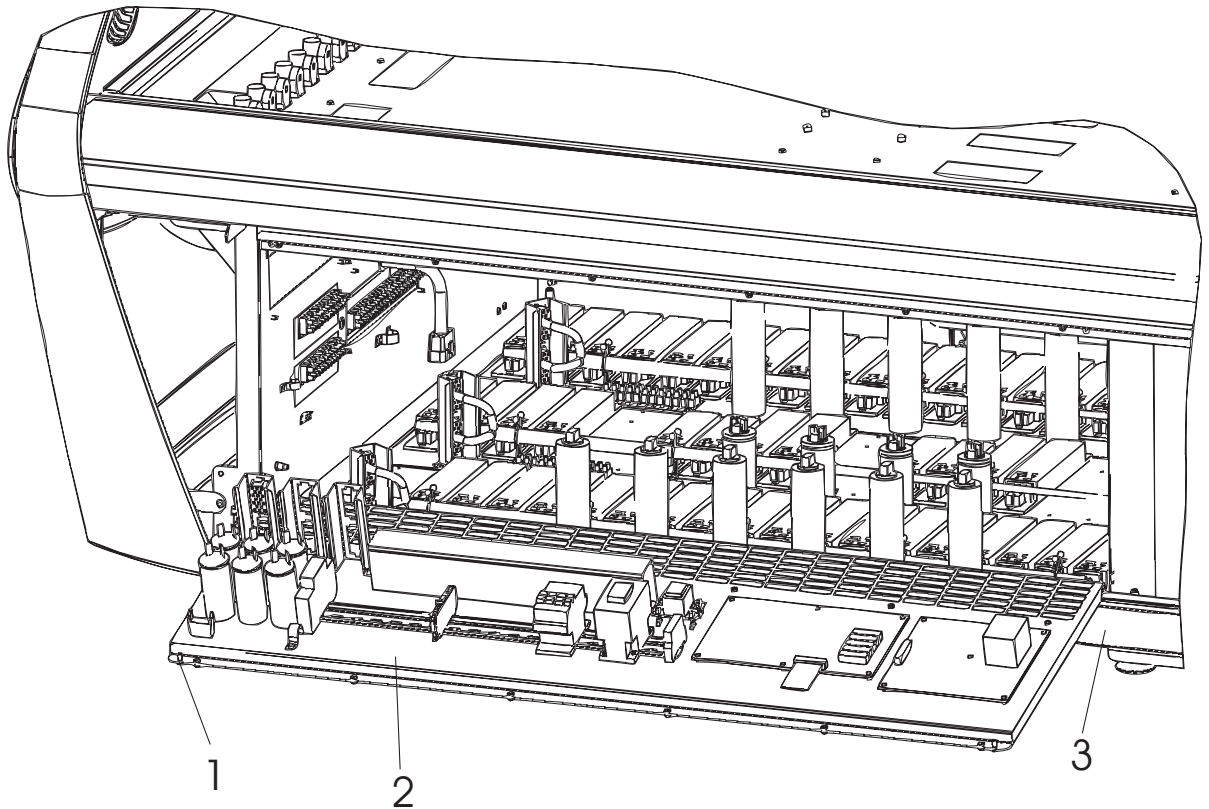
3



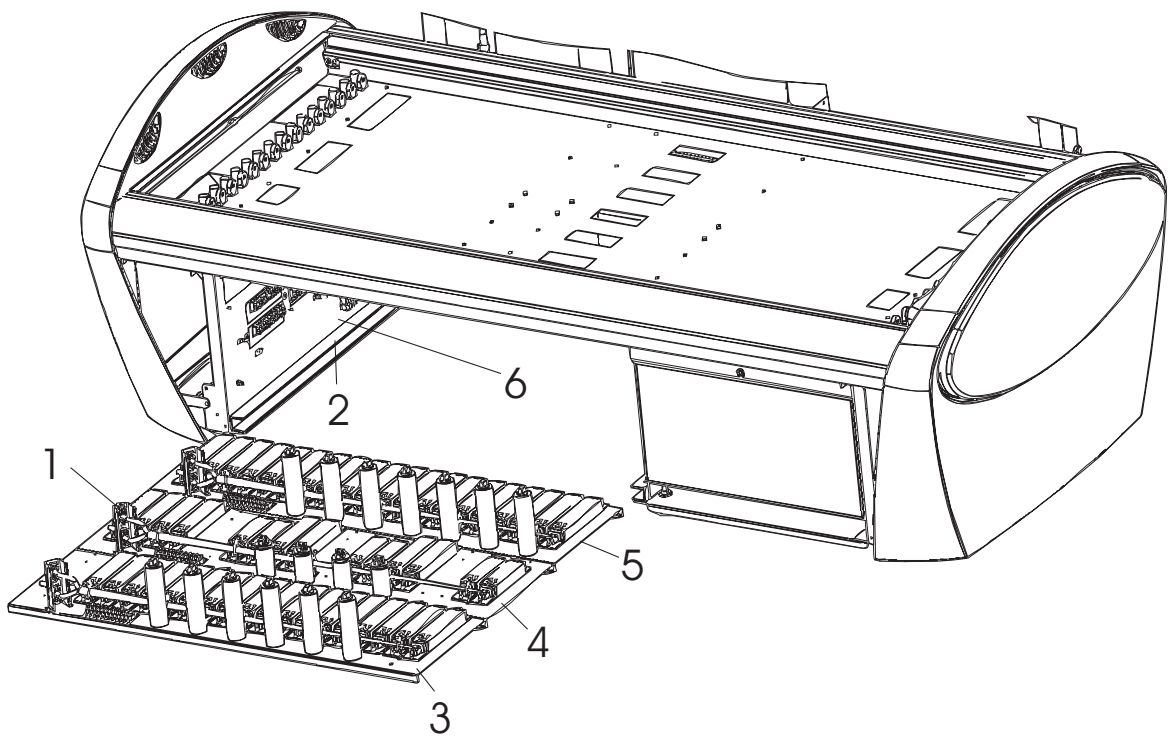
4



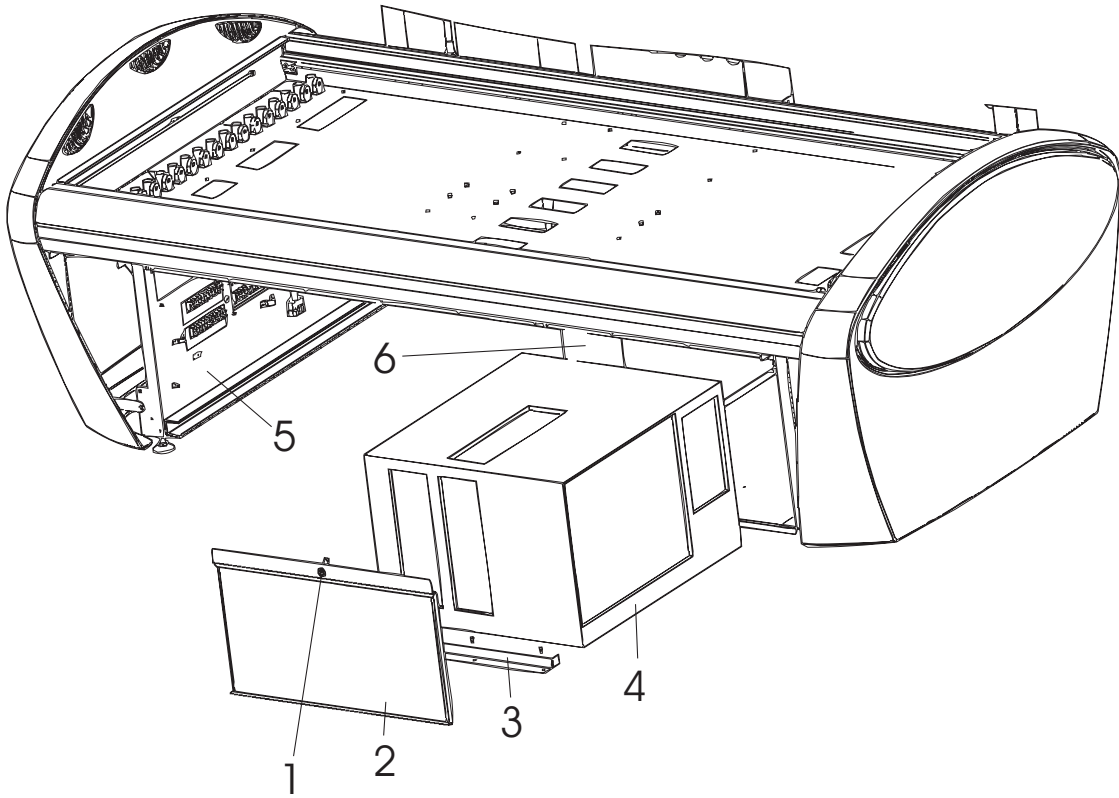
5



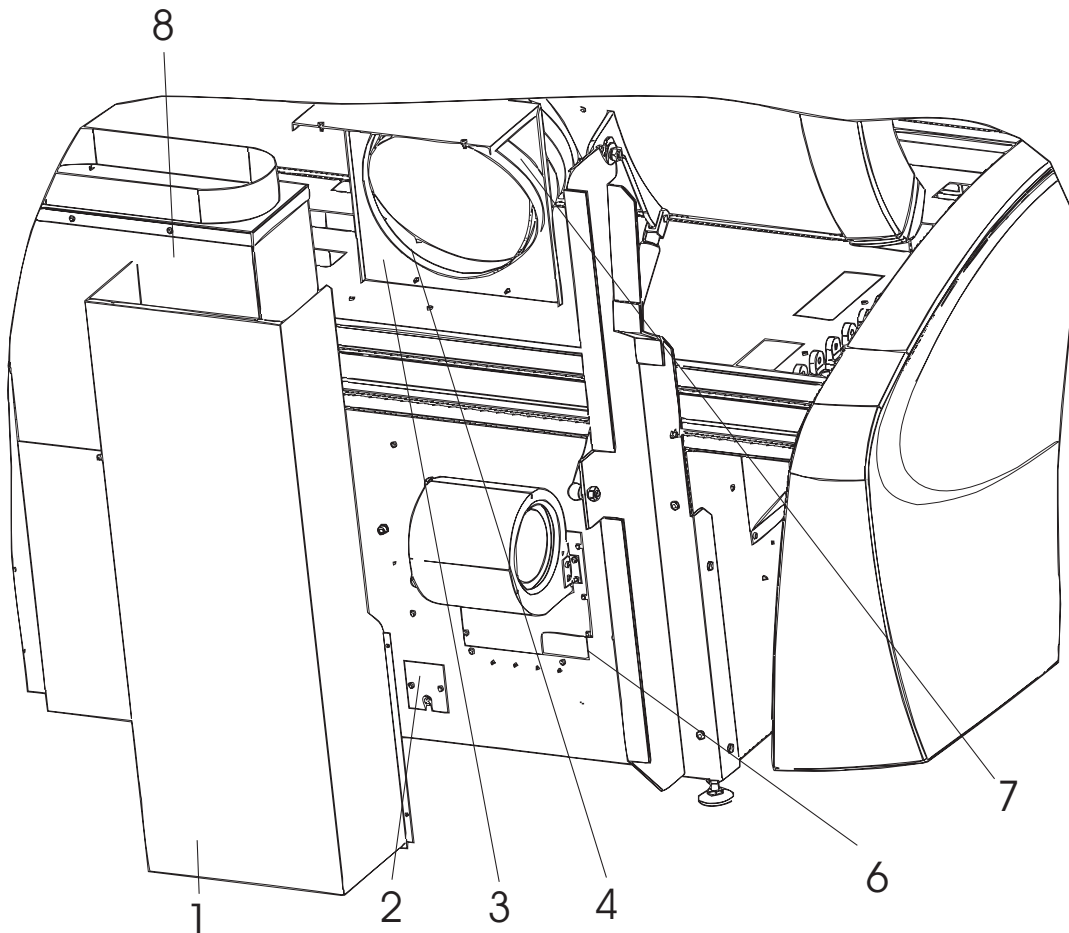
6



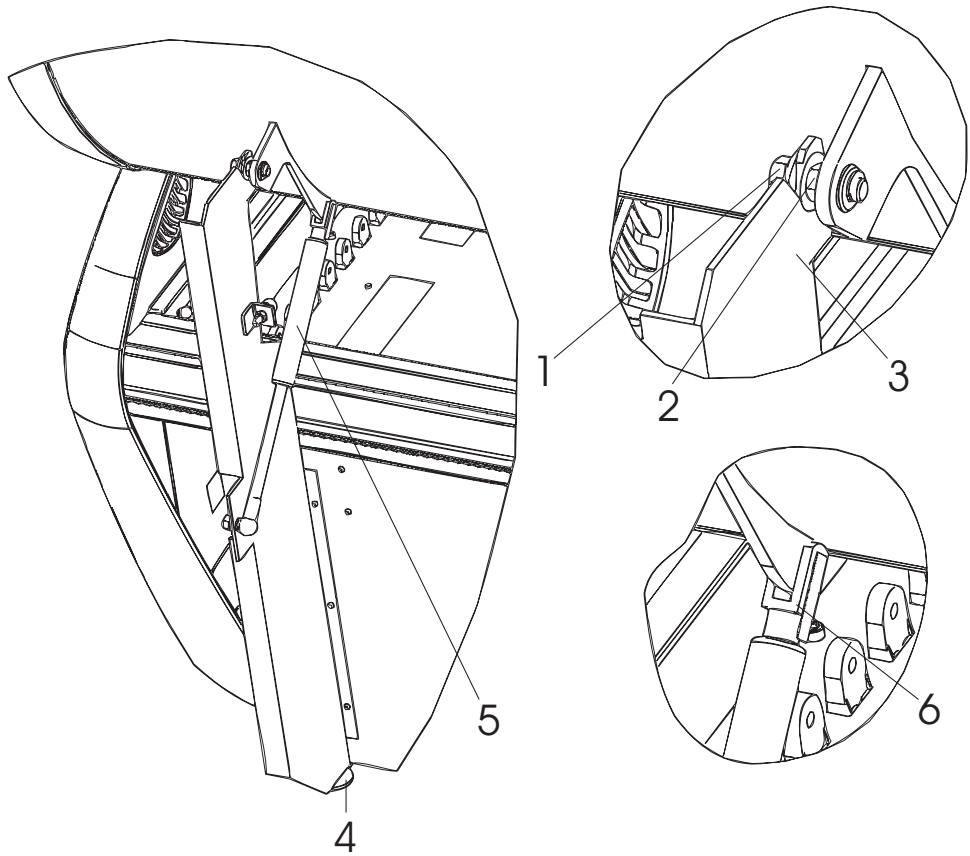
7



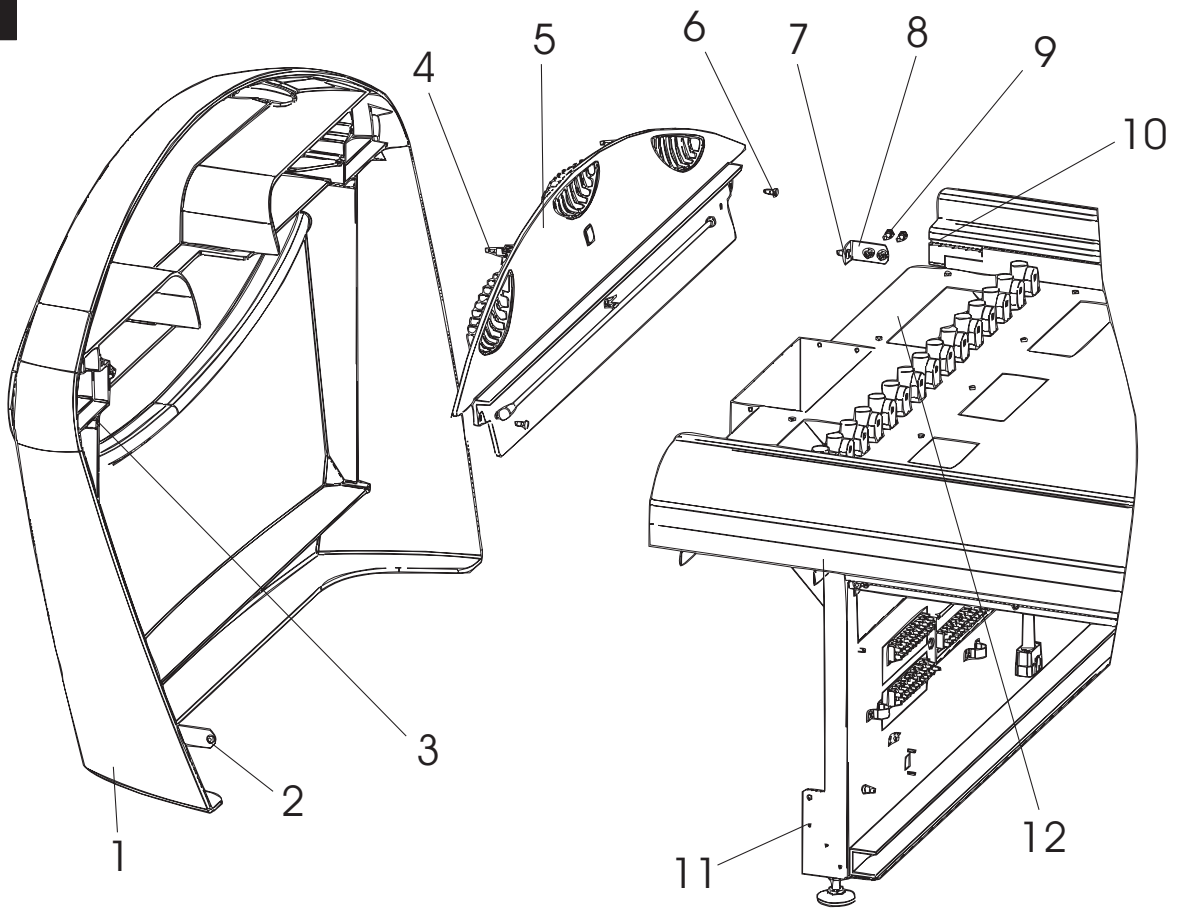
8



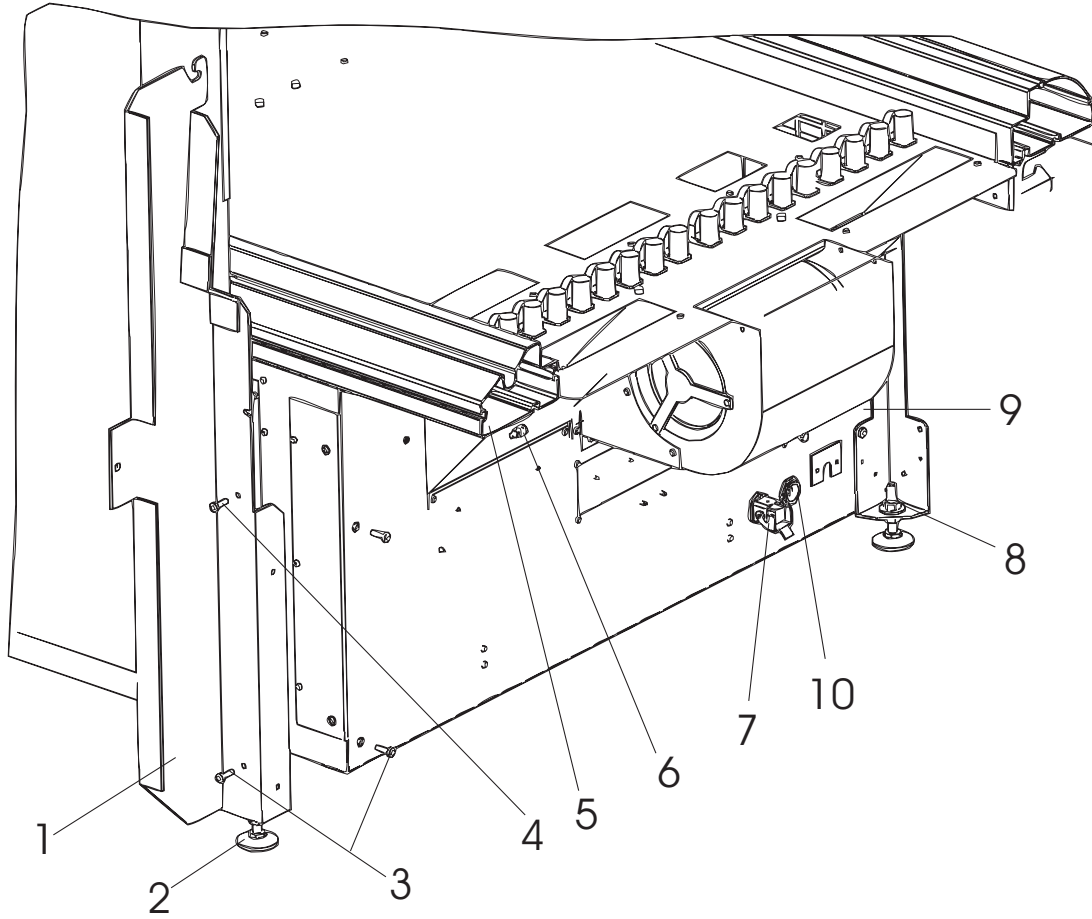
9



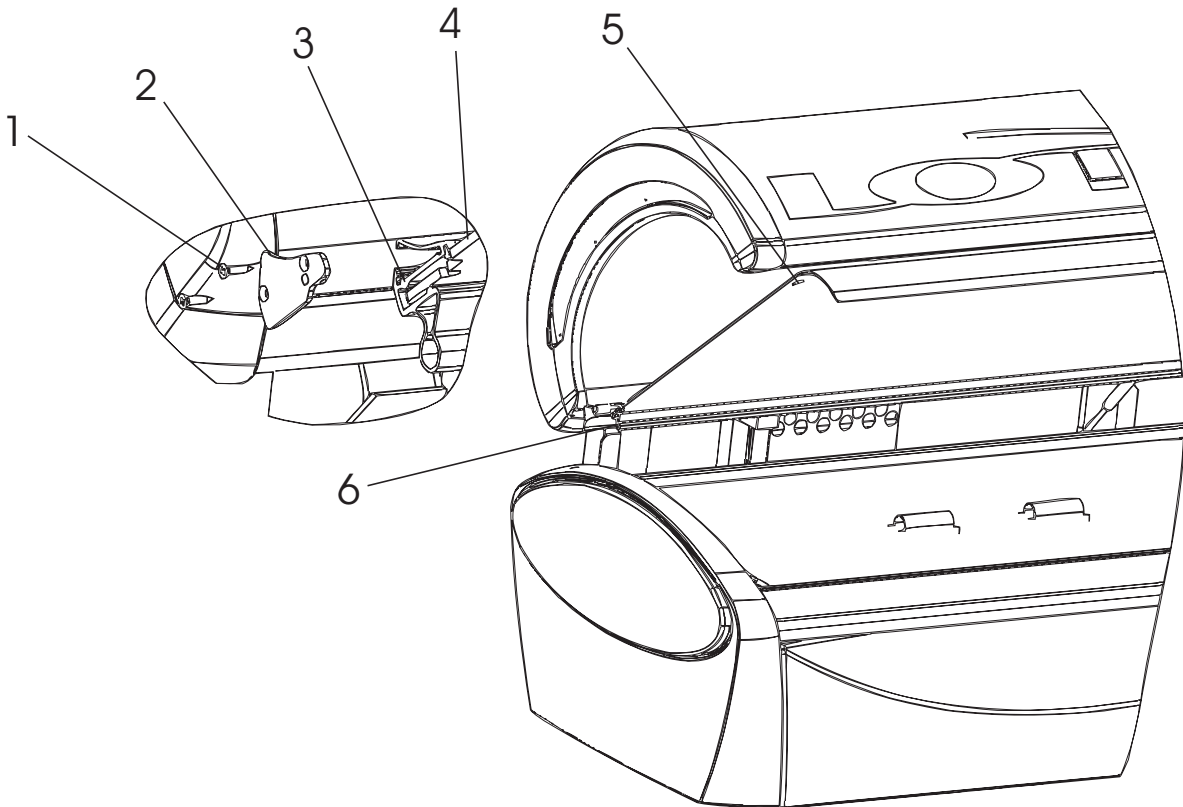
10



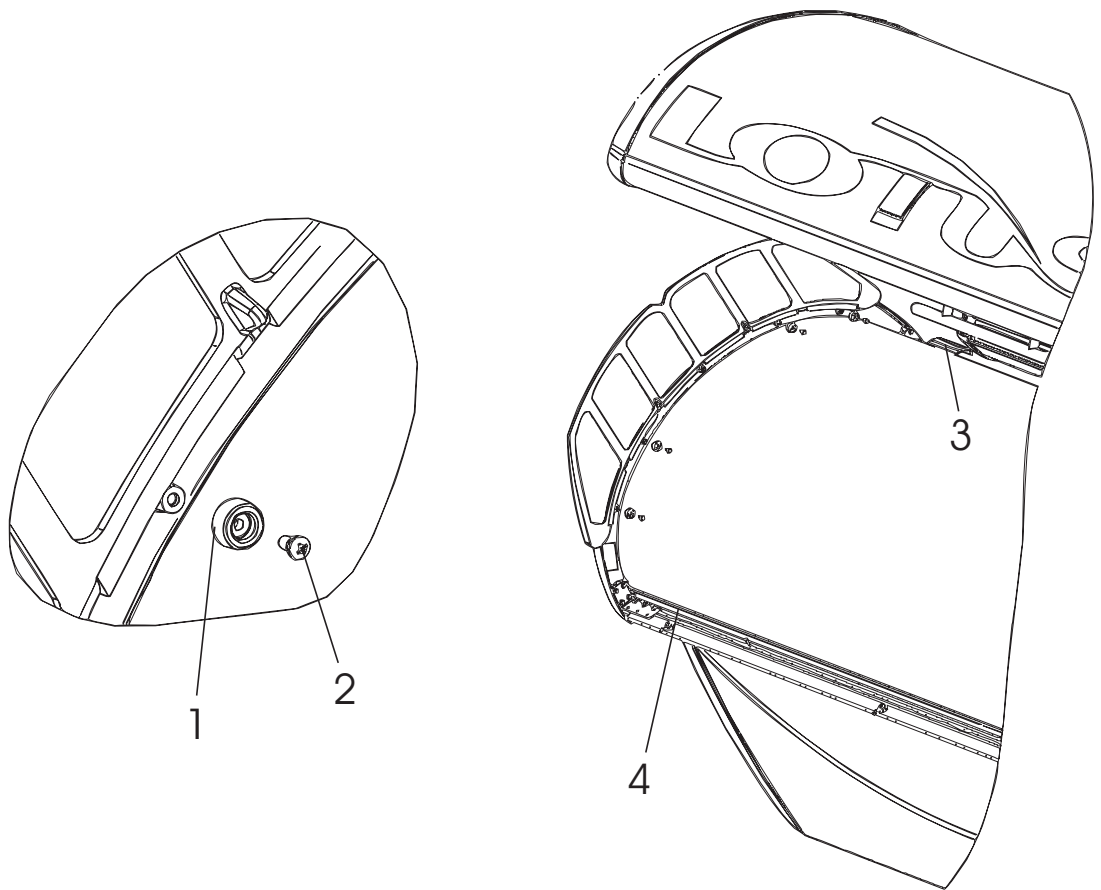
11



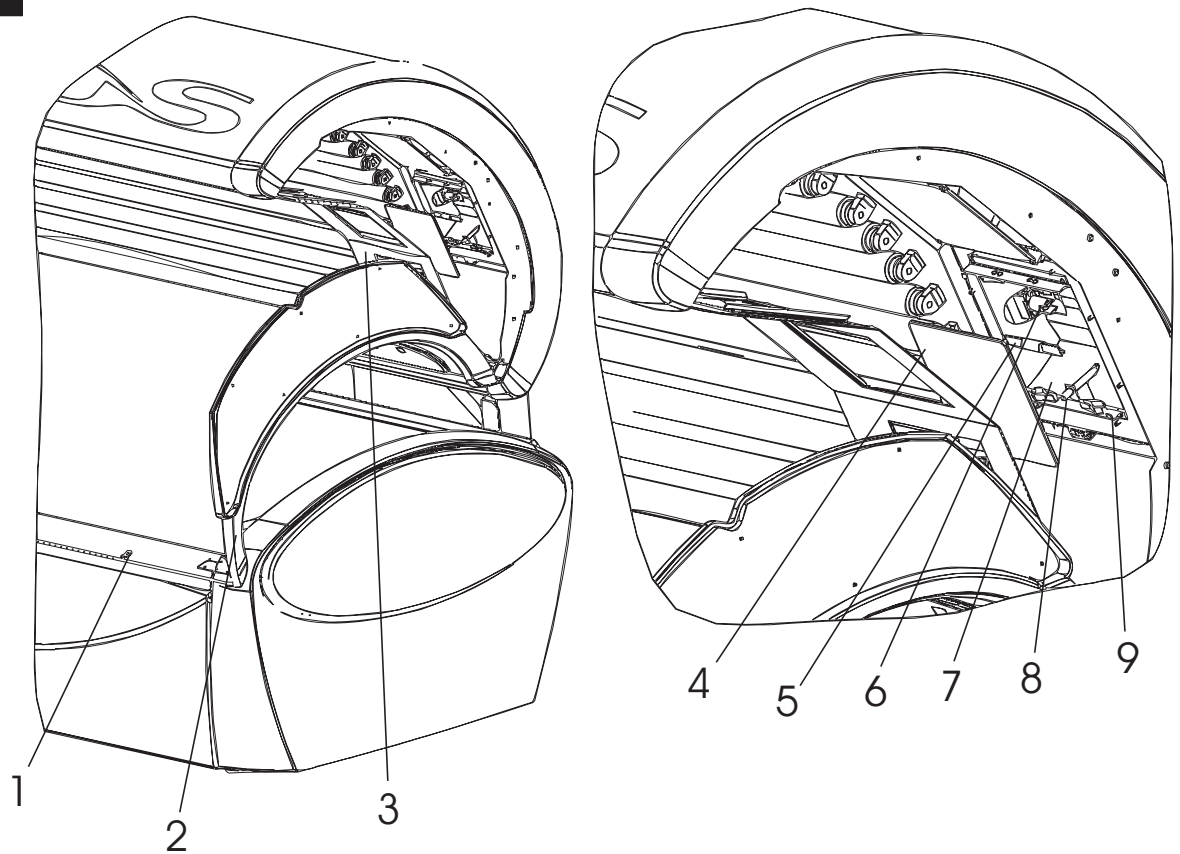
12



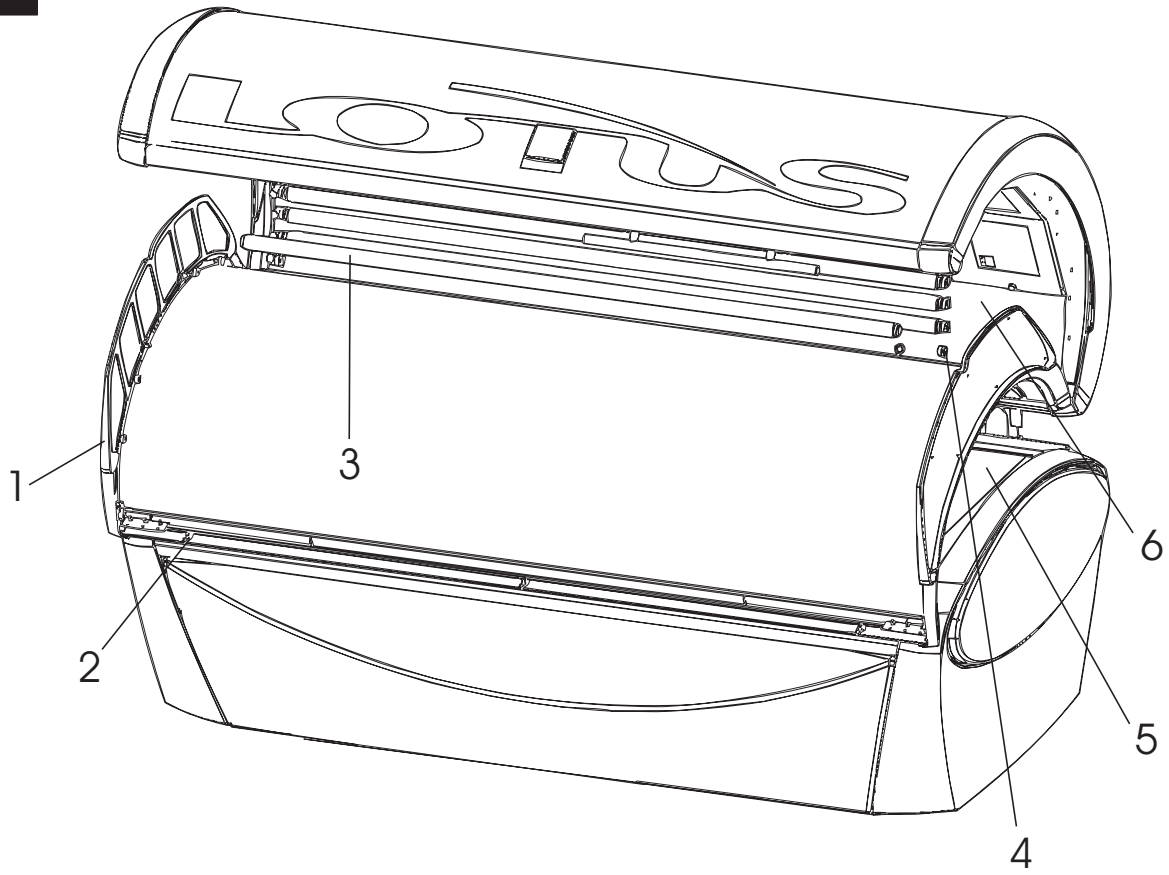
13



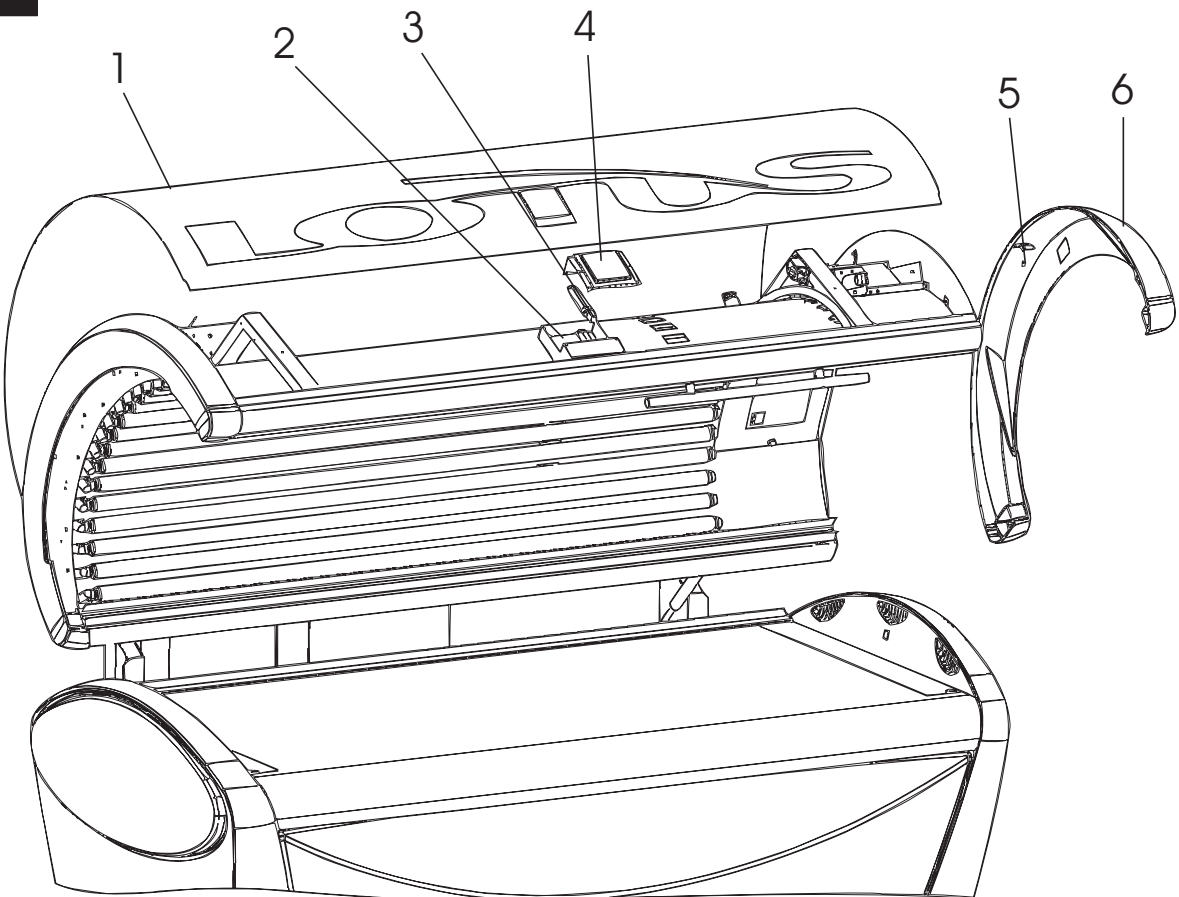
14



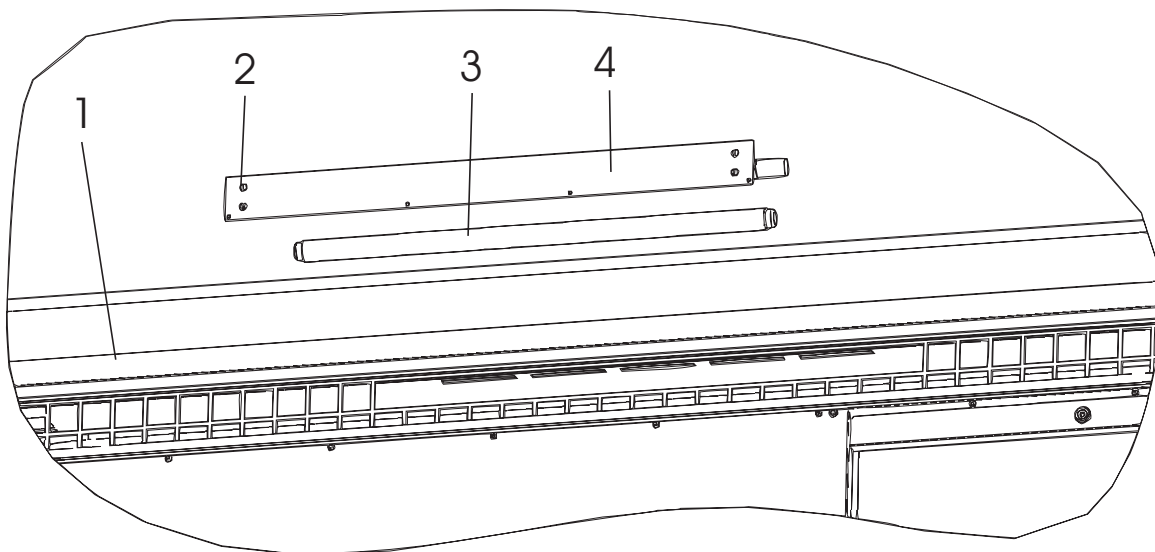
15



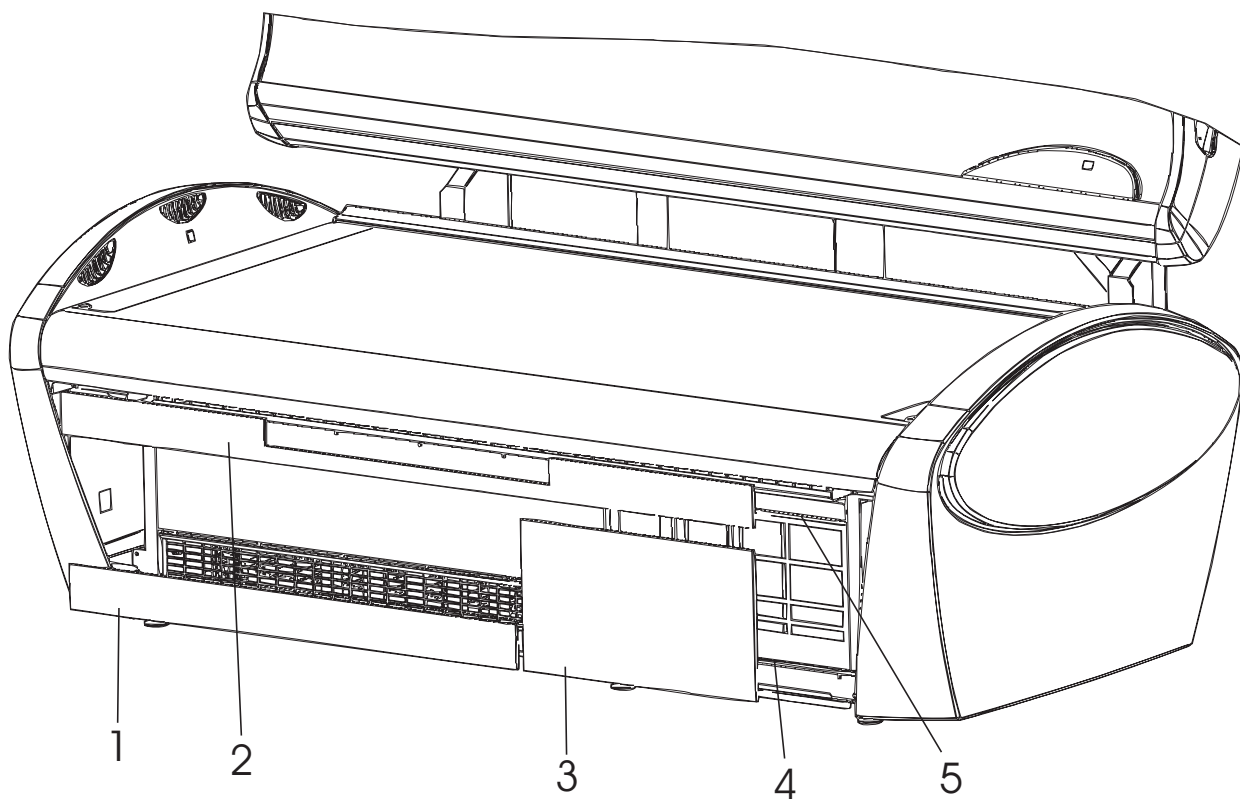
16



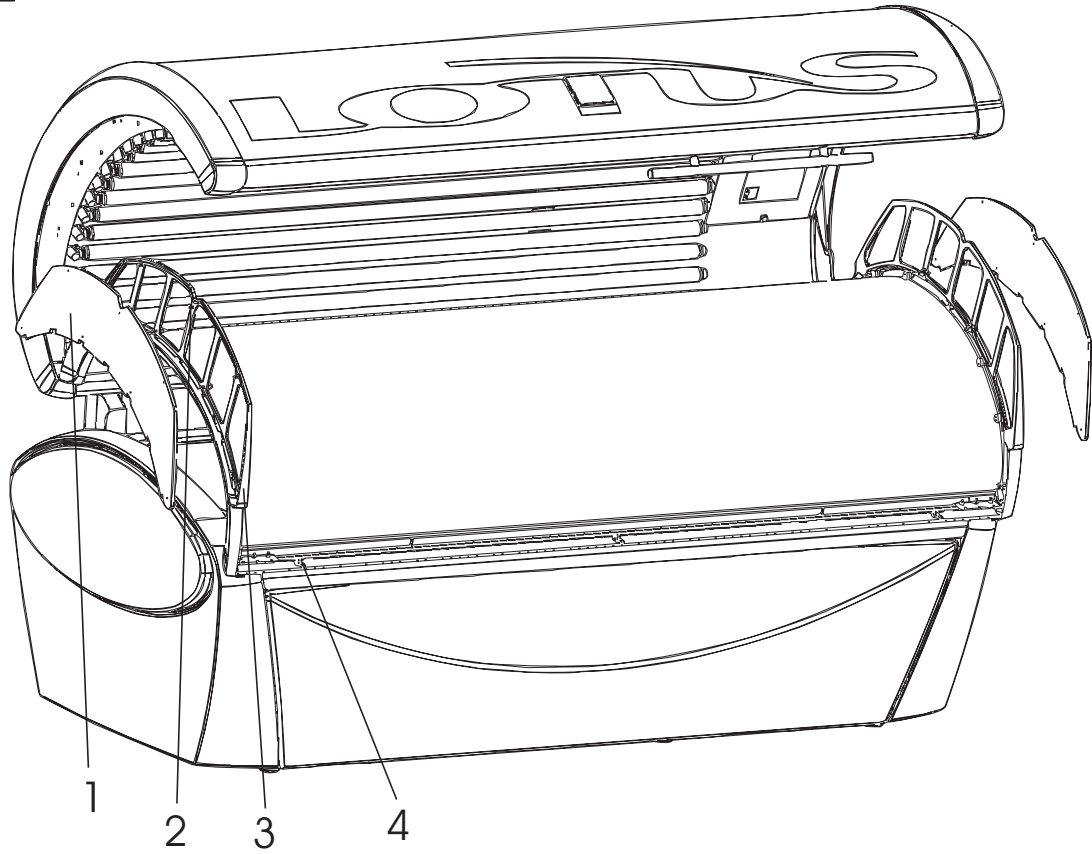
17



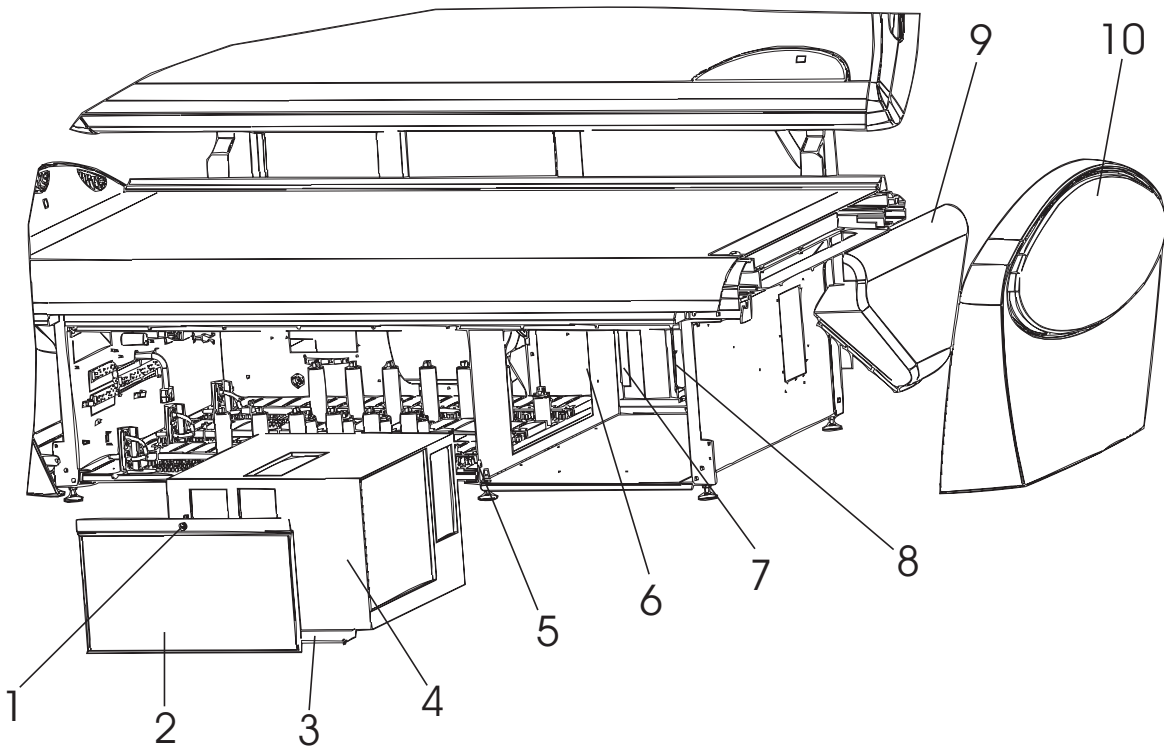
18



19

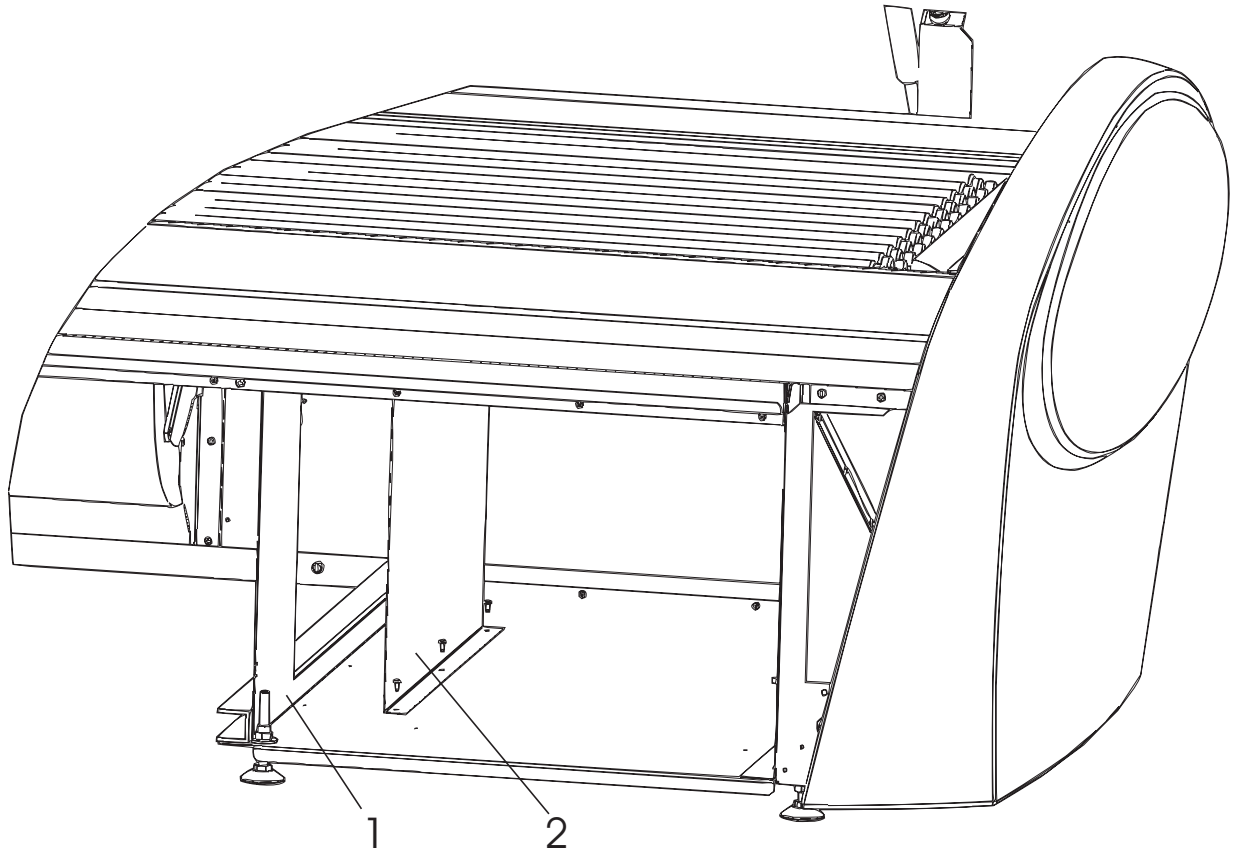


20



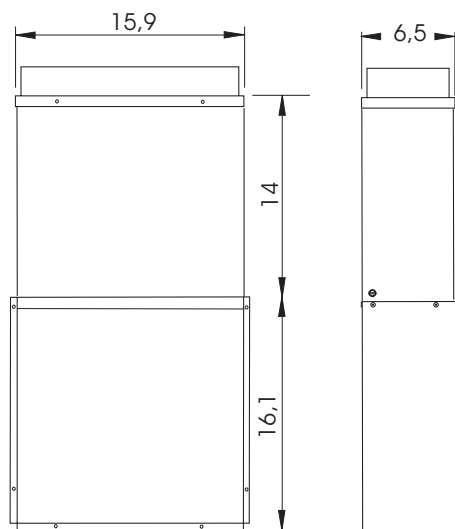
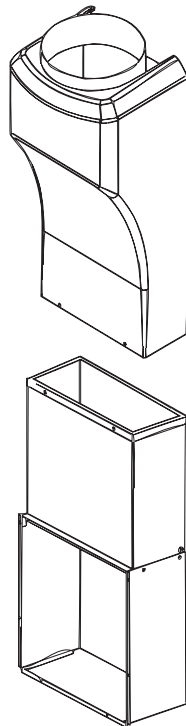
21

Only unit Type 7019/132 without an air conditioning unit



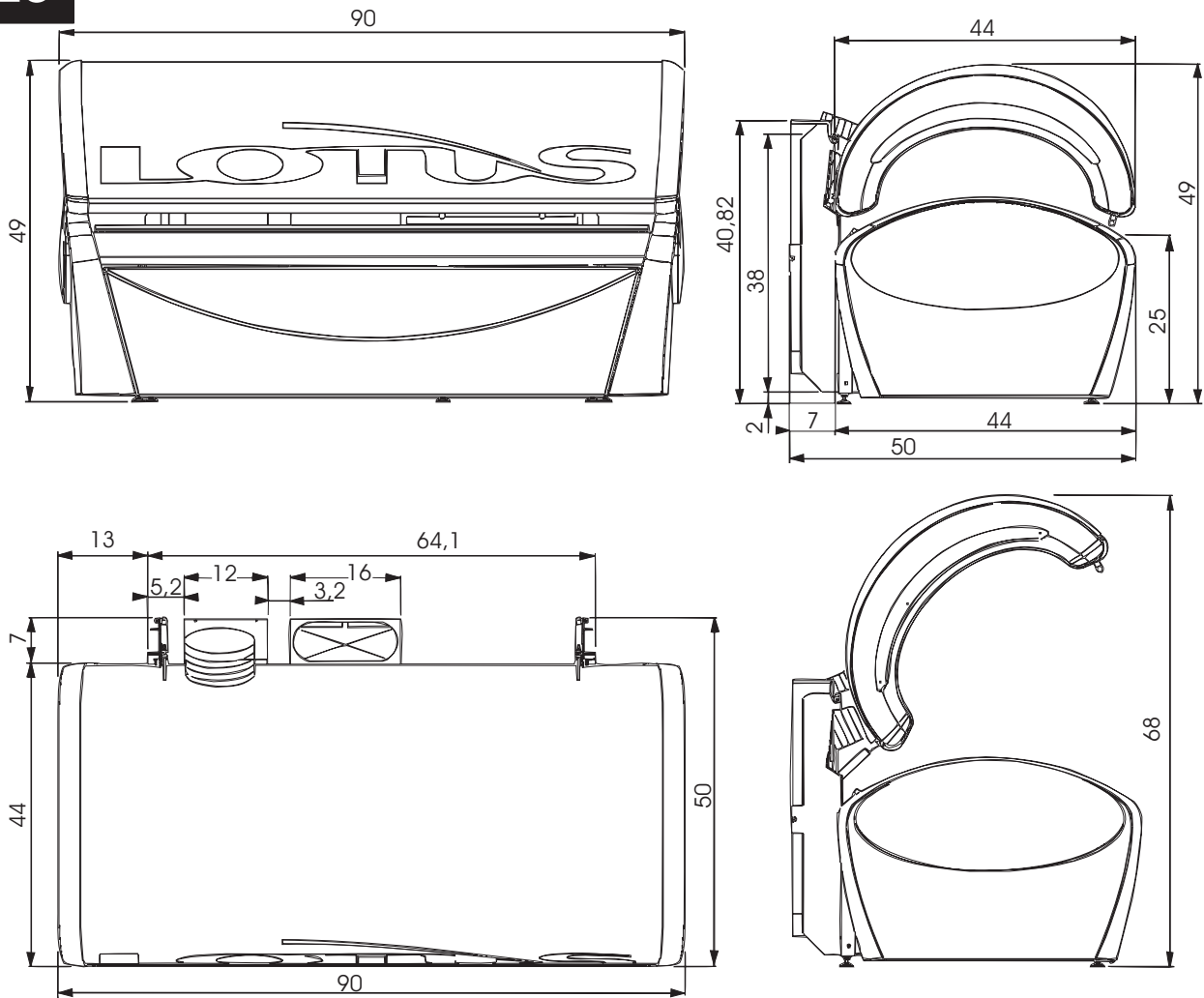
22

air extraction duct



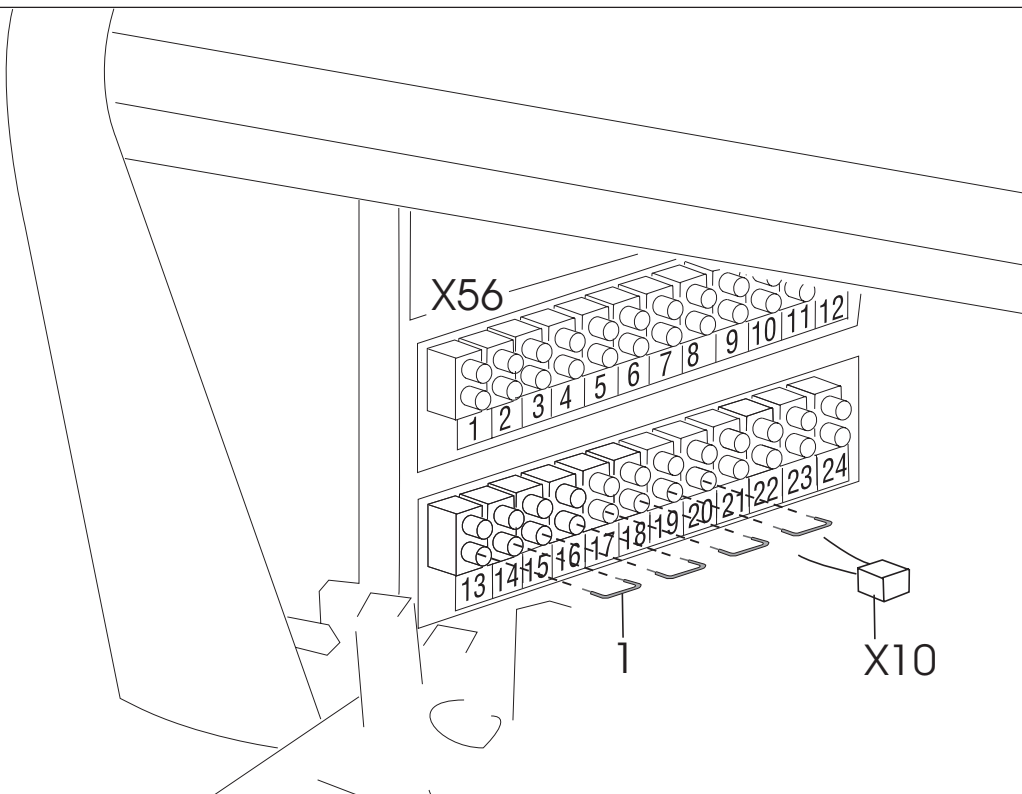
Dimensions in inch

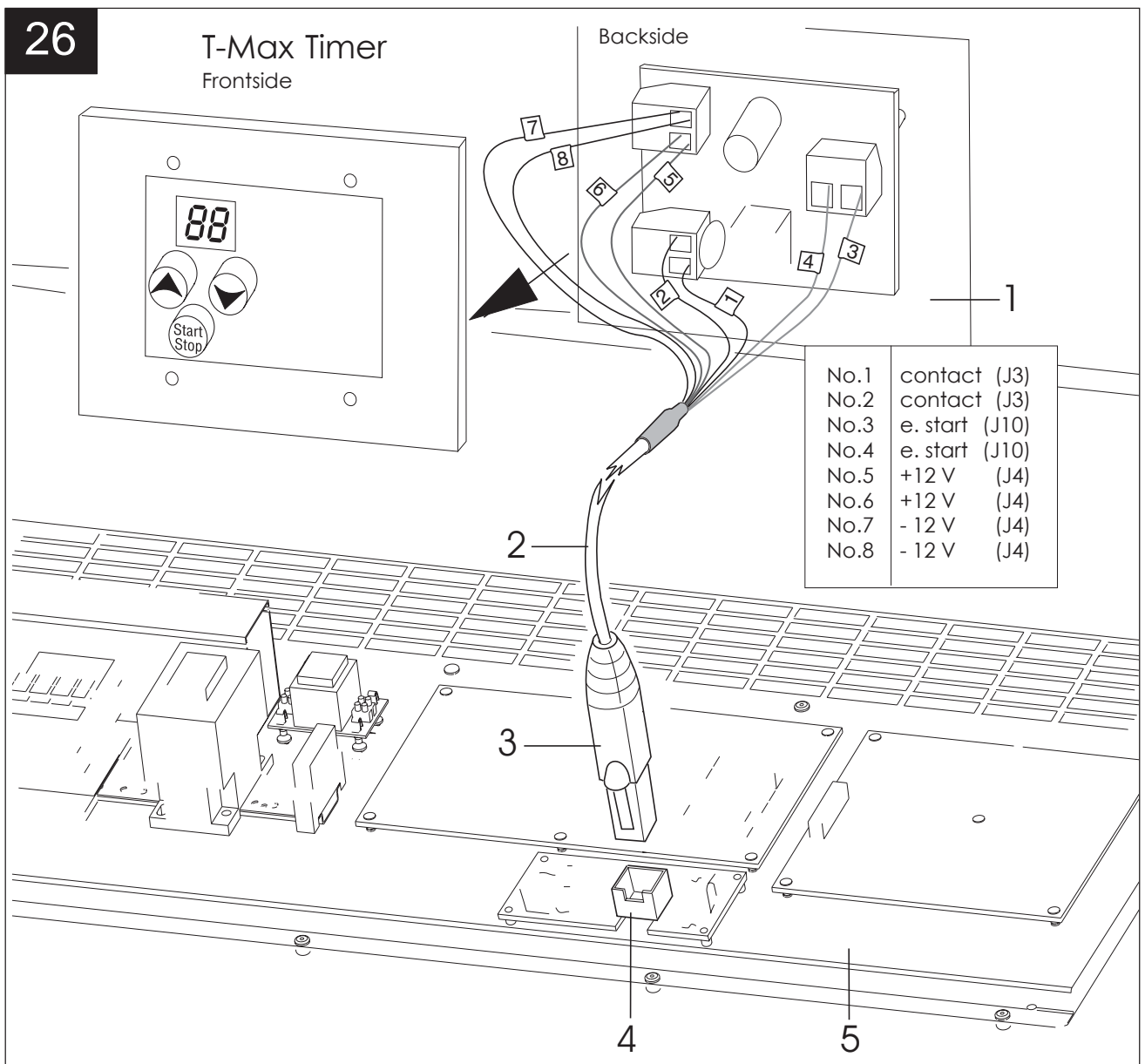
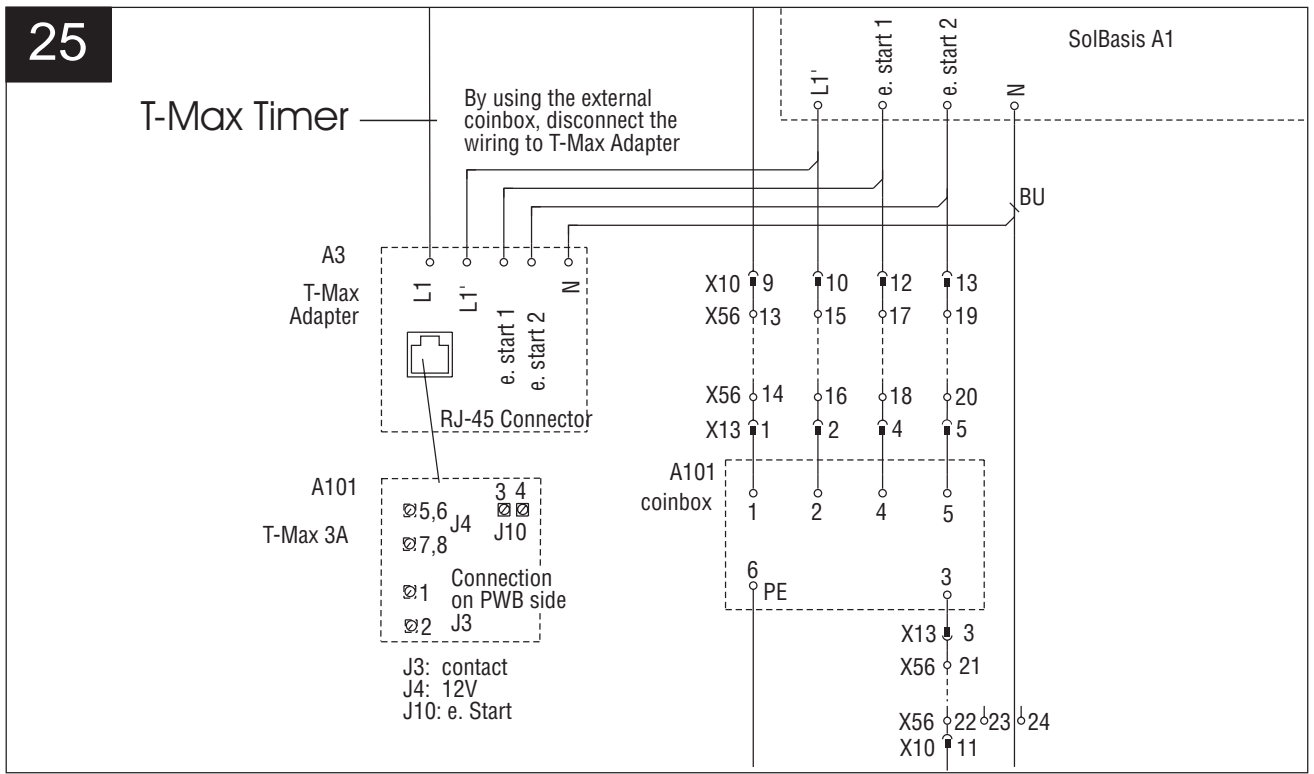
23



Dimensions in inch

24







MARKETING

ID.-NR. 266 179 / 02/04