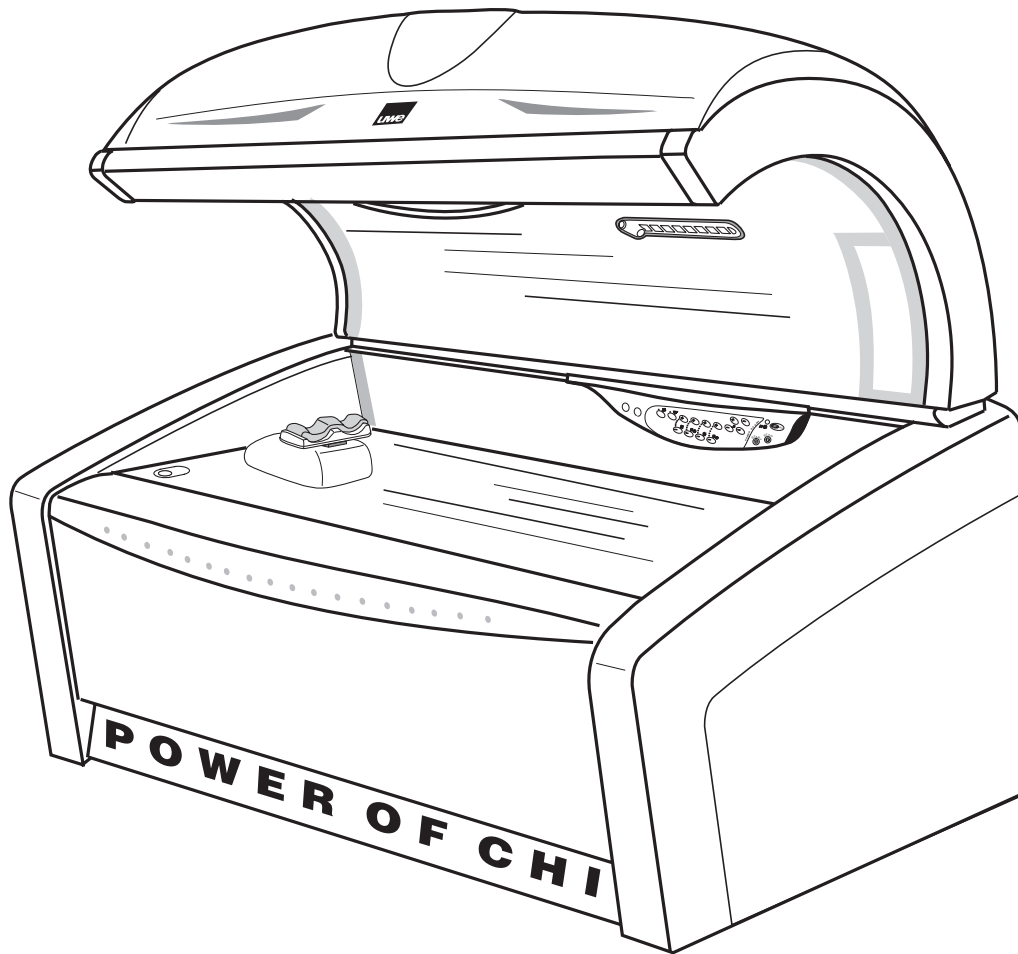


USER MANUAL AND INSTALLATION INSTRUCTIONS



Model:
POWER OF CHI

PC MARKETING
1040 WILT AVENUE
RIDGEFIELD, NJ 07657

1-800-FASTTAN



Preface

Your tanning unit is designed to the latest technical and safety standards. However, there is a risk of danger if the unit is operated by people who have not been instructed or trained in its use or if it is used in a way other than that which was intended. Therefore all persons concerned with the assembly, start-up, operation, maintenance and repair of the unit must first read and understand the operating instructions and especially the safety instructions. Allow you and your staff to be instructed by a specialist before using the unit for the first time. In the unlikely event of a technical fault please contact our Customer Services or your dealer.

TABLE OF CONTENTS PAGE

1	NOTES ON SAFETY	4-6
1.1	Before Initial Operation	4
1.2	Using the Unit for the First Time	4
1.3	Safety Warning	4-6
1.4	Proper Use	6
1.5	Product Liability	6
1.6	What to do in an Emergency	6
1.7	Explanation of Danger Symbols	6
1.8	Position of the User	6

INFORMATION FOR THE SALON PERSONNEL

2	OPERATION	7-10
2.1	Equipment - New and Proven	7
2.2	Starting	7
2.3	On the Bed	7-8
2.3.1	Interior Control Panel	8-10
2.3.2	CHI machine	10
2.4	Cleaning the acrylic panels	10

INFORMATION FOR THE USER

3	INITIAL OPERATION	11
3.1	Important Information! Please read!	11
3.2	Before Initial Operation	11
3.3	Using the Unit for the First Time	11
4	CLEANING - IMPORTANT INFORMATION FOR THE OPERATOR	11-12
4.1	Clean Acrylic Panel	11
4.1.1	Mixing PICCOBELLO ready for use	11
4.1.2	Cleaning Acrylic Bed Panel	12
4.1.3	Removing CHI Machine	12
4.1.4	Cleaning Corrugated Acrylic Panel	12
4.2	Foot rest CHI Machine	12
4.3	CHI Machine	12
4.4	Reflectors	12
5	KNOW HOW FOR THE OPERATOR	12-16
5.1	Service-Module	12
	(Operating hours, lighting spot, error messages)	
5.1.1	Service-Module	12
5.1.2	Operating the Service Module	13
5.1.3	Programs of the Service-Module	13-14
5.2	Sound system	15
5.3	Sequence of AROMA phases	15-16

6	SERVICING AND MAINTENANCE	16-26
6.1	Exchanging the Acrylic Panel	16
6.1.1	Acrylic Panel Bed/Side tanner	16-17
6.1.2	Acrylic glass top for CHI Machine	18
6.1.3	Acrylic Panel Canopy	18
6.2	Servicing of High-Pressure Lamps	18
	(only for unit model POWER OF CHI XTT)	
6.2.1	Replacing High Pressure Lamp in Canopy	19
6.3	Exchanging the Lamps	20
6.3.1	Exchanging the Long Sunlamp	20
6.3.2	Exchanging the Illumination Lamps	20-21
6.3.3	Canopy Effect Light	21-22
6.3.4	uwe logo light in the Center of the Canopy	22
6.4	Exchanging the Filter Mats	22
6.4.1	Filter Mats in Base	22-23
6.4.2	Filter Mats in Canopy	23
6.5	Stay in the Retaining Brackets	23
6.6	Exchange of AROMA Bottles	23-24
6.7	Replacing the BREEZE Canister	24-25
6.8	Maintenance of CHI Machine	25-26
7	TIPS FOR RECTIFYING SMALLER FAULTS	26
8	DISPOSAL	26

INFORMATION FOR THE ENGINEER AND DEALER SPECIALIST

9	INSTALLATION OF THE PROFI UNIT	27-38
9.1	Place of Installation and State on Delivery	27
9.2	Installation and Assembly	27
9.2.1	Dismantling Bed	27-28
9.2.2	Dismantling the Boards and Air Conditioning Unit	28
9.2.3	Dismantling the Air Extraction Unit	28
9.2.4	Dismantling the Side Tanner	28-29
9.2.5	Disassembling Cover Parts	29
9.2.6	Disassembling the Canopy	29-30
9.2.7	Dismantling the Base Unit	30
9.2.8	Assembling the Air Extraction Duct	30
9.2.9	Assembling the Base	30
9.3	Assembling the Cover Parts	31
9.3.1	Assembling the Boards and Air Conditioning Unit	31
9.3.2	Assembly of Canopy	32-33
9.3.3	Assembling the Side Tanner	33
9.3.4	Assembling the Covers in Canopy, Louvre and Air Extraction Flue	34
9.3.5	Connecting the Plug Connections	34-35
9.3.6	Assembling the Bed	35-36
9.4	Connecting the Exhaust	36
9.4.1	Information to air extraction unit	36-37
9.5	Electrical Connection	37
9.6	Coin Meter or Central Control	37
9.7	T-Max Timer	38
10	TECHNICAL SPECIFICATIONS	38-39
10.1	Technical Specifications and Dimensions	38-39
10.2	Lamp Covers (Filter Disks)	39
11	CUSTOMER SERVICE ADDRESS	39

SAFETY INSTRUCTIONS

1.1 Before installation and placing in operation, the Safety Instructions and Operating Instructions must be carefully read and observed.

1.2 Before the unit is placed in operation, the local Safety Regulations and the Safety Instructions must be complied with.

1.3 SAFETY / WARNING

DANGER – ULTRAVIOLET RADIATION

Follow instructions. Avoid overexposure. As with natural sunlight, overexposure can cause eye and skin injury and allergic reactions. Repeated exposure may cause premature aging of the skin and skin cancer. Consult physician before using sunlamp if you are using medication or have a history of skin problems or believe yourself especially sensitive to sunlight. If you do not tan in the sun, you are likely to tan from the use of this product. **WEAR PROTECTIVE EYEWEAR: FAILURE TO MAY RESULT IN SEVERE BURNS OR LONG – TERM INJURY TO THE EYES.**

Therefore, you must observe the following Safety Instructions:

The ultraviolet and visible radiation is very intense. **DO NOT** stare at the tanning lamps.

While tanning, close your eyes, and always use the protective eyewear that is supplied.

Before tanning, always remove jewelry.

DO NOT tan more frequent than once every two days.

For recommendations about exposure times and recommended frequencies, please see below **RECOMMENDED EXPOSURE SCHEDULE**, which is enclosed with every unit.

SCHEDULE FOR LAMPS TYPE: HERAEUS NOBLELIGHT 1 kW BQ 1176 Z 4
COSMEDICO COSMOLUX 160 W VHR
COSMEDICO COSMOLUX VHR 200 180 W

RECOMMEDED	Skin Type	WEEK 1 1 ST -3 RD Session	WEEK 2 4 TH -6 TH Session	WEEK 3 7 TH -10 TH Session	WEEK 11 TH -15 TH Session	WEEKLY Subsequent Session
EXPOSURE	II - Fair	2 min.	3 min.	6 min.	12 min.	12 min.
	III – Average	2 min.	4 min.	6 min.	12 min.	12 min.
	IV– Brown	2 min.	6 min.	8 min.	12 min.	12 min.
SCHEDULE	V – Dark Brown	2 min.	6 min.	8 min.	12 min.	12 min.

Tanning can begin on a regular basis (allowing 48 hours between sessions). An appearance of tanning normally occurs after a few exposures and maximizes after four (4) weeks of exposure following the recommended exposure schedule of two (2) weekly 10 minute sessions is recommended from the fifth week onward.

USE PROTECTIVE EYEWEAR WHENEVER THE EQUIPMENT IS ENERGIZED.

READ THE INSTRUCTION BOOKLET BEFORE USING THIS PRODUCT.

WARNING

EXPOSURE TIMES AND FREQUENCIES

If you have been diagnosed by a physician as being allergic to the sun or are currently taking photosensitive medications, consult your physician before using this product.

Children, persons with fair skin, elderly persons and persons who have a history of skin problems or believe yourself especially sensitive to sunlight, should avoid using this product. If you do not tan in the sun, you are likely to tan from this product.

Certain drugs – particularly those designed to enhance photosensitivity – maybe cause individuals under their influence to experience adverse effects and those people ought to avoid exposure to UV sources of all kinds. Doctors will advise persons taking these drugs of possible adverse effects. It is recommended that only one person at a time use the tanning system. Use protective eyewear while tanning. One pair of protective eyewear is provided with each unit sold. Occasionally, persons, using the tanning system will experience a slight reddening of the skin – usually in small patches – after the second or third session. This redness is often accompanied by an itching sensation. This is nothing more than a heat "rash" caused by heat from the lamps within the system. It is generally very limited. It will go away within approximately 24 hours and should not reappear. This rash can be lessened or prevented by applying moisturising lotion to the affected area after the tanning session is complete.

CAUTION:

WHILE THERE IS NO IMMEDIATE CLINICAL EVIDENCE REGARDING UV EXPOSURE AND ITS EFFECTS UPON EXPECTANT MOTHERS, IT IS STRONGLY ADVISED THAT EXPECTANT MOTHERS BE DISCOURAGED FROM USING THIS PRODUCT.

EXPOSURE TIMES AND FREQUENCIES

Melanin, the brownish pigment produced by special cells in the base layers of the skin determines the individual ability to tan. As the skin is exposed to ultraviolet rays, the melanin is activated and combines with protein cells that rise to the skin's surface, thus producing a tan. The amount of melanin in your bodies determining how quickly and darkly you can tan.

NOTE

THE TAN PRODUCED BY THIS UNIT IS A DEEP, RICH "COSMETIC" TAN, HOWEVER, REGARDLESS OF HOW MUCH AN INDIVIDUAL MAY TAN WITH THIS UNIT, IT WILL NOT PROVIDE ADEQUATE PROTECTION AGAINST OVEREXPOSURE TO NATURAL SUNLIGHT OR UVB TANNING SYSTEMS.

SKIN TYPE II - THIS IS THE INDIVIDUAL THAT USUALLY BURNS EASILY AND SEVERELY. TANS MINIMALLY OR LIGHTLY AND PEELS.

SKIN TYPE III - OFTEN REFERRED TO AS "AVERAGE" COMPLEXION. BURNS MODERATELY AND TANS ABOUT AVERAGE.

SKIN TYPE IV - THIS INDIVIDUAL BURNS MINIMALLY, TANS EASILY AND ABOVE AVERAGE WITH EACH EXPOSURE.

SKIN TYPE V - THIS INDIVIDUAL RARELY BURNS, TANS EASILY

RECOMMENDED EXPOSURE SCHEDULE

SCHEDULE FOR LAMPS TYPE: HERAEUS NOBLELIGHT 1 kW BQ 1176 Z 4
COSMEDICO COSMOLUX 160 W VHR
COSMEDICO COSMOLUX VHR 200 180 W

RECOMMENDED	Skin Type	WEEK 1 1 ST -3 RD Session	WEEK 2 4 TH -6 TH Session	WEEK 3 7 TH -10 TH Session	WEEK 11 TH -15 TH Session	WEEKLY Subsequent Session
EXPOSURE	II - Fair	2 min.	3 min.	6 min.	12 min.	12 min.
	III - Average	2 min.	4 min.	6 min.	12 min.	12 min.
	IV - Brown	2 min.	6 min.	8 min.	12 min.	12 min.
SCHEDULE	V - Dark Brown	2 min.	6 min.	8 min.	12 min.	12 min.

No two individual skin tones are the same. A tan to one person may be different to another, and session length may vary. It is recommended that, following a tanning session, a skin moisturiser be applied. This promotes a smoother more even looking tan. Equally important - many facial make-ups have oil bases and should be removed prior to each tanning session.

NOTE

SINCE THE BACK AND STOMACH AREAS OF THE BODY WILL RECEIVE THE MAJORITY OF THE TANNING RAYS, IT IS RECOMMENDED THAT INDIVIDUALS SPEND ONE HALF OF EACH SESSION LYING ON EACH SIDE OF THE BODY TO ACHIEVE A FULL-BODIED TAN.

WARNING

COMMERCIALY AVAILABLE CREAMS, LOTIONS AND OILS CONTAIN SUNSCREENS WHICH FORM A PHYSICAL BARRIER ON THE SKIN THAT PREVENTS THE UV RAYS FROM PENETRATING AND INDUCING A TAN. IT IS RECOMMENDED THAT YOU ONLY USE CREAMS, OILS OR LOTIONS THAT **DO NOT CONTAIN POLYTHENE/GLYCOL MONOLAURATE** AND ARE DESIGNED FOR USE WITH INDOOR TANNING EQUIPMENT. FAILURE TO COMPLY WITH RECOMMENDATIONS AND WARNINGS STATED ABOVE MAY VOID THE MANUFACTURER'S WARRANTY.

WARNING!

THIS UNIT **MUST NOT** BE USED IF THE TIMER IS FAULTY OR IF THE FILTER GLASS PLATE IS BROKEN.

The POWER OF CHI unit is equipped with a CHI machine.

This results in the following important notes on safety, which must be observed:

Do not use the CHI machine during pregnancy or in case of severe heart or cardio-vascular disorders.

Do not use the CHI machine in case of serious infections or bleeding injuries.

Do not use the CHI machine in case of epilepsy or thrombosis.

Do not use the CHI machine in case of malignant ulcer.

Before using the machine, please consult your doctor if you have back or intervertebral disc problems.

Consult your doctor before using the machine after surgery or fracture.

In case of heavy pain during the session, please leave the machine and consult your doctor.

Do not use the machine after a meal or after consumption of alcohol.

In case of headaches during the session, please reduce the time of use and drink more water.

1.4 Proper Use

All units are intended exclusively for indoor tanning of people and for commercial use. The unit must only be operated in areas free from the danger of explosions and in dry rooms. The rooms must be well ventilated. If operated in a tanning salon, the room and solarium itself must be kept clean and hygienic. Any additional use is not regarded as the intended proper use and the manufacturer accepts no liability for any damage that may arise as a result. All risk falls to the user. Proper use includes observance of the operating, maintenance, and servicing conditions specified by the manufacturer. Servicing and repair work and the like may only be carried out by Customer Service Department or persons commissioned by them. The units may only be used by those who are familiar with them and who have been informed about the dangers. Appropriate accident prevention measures and other generally recognized rules regarding safety and industrial medicine must be observed. Unauthorized changes to the units exclude the liability of the manufacturer for any resulting injury. This applies in particular to injury resulting from the use of lamps and/or filter disks not authorized by your dealer.

1.5 Product Liability

The attention of the user is drawn explicitly to the fact that the unit may only be used for the intended purpose. All responsibility and liability falls to the user if the unit is used other than for the intended purpose. The manufacturer no accepts any liability.

1.6 What to do in an Emergency

Remove the mains plug or switch off the power using the main switch or fuses and secure the unit against unauthorized re-initialization.

1.7 Explanation of Danger Symbols



Warning

Warning!

All sections in these operating instructions that relate to your safety are marked with this symbol.

Please also pass on the information regarding safety to other users.



Function

All sections in these operating instructions that contain information regarding the function of the unit are marked with this symbol. Please pay particular attention to this information to avoid damaging the unit.

NOTE

All information and notes in these operating instructions are marked with the word Note.

Pictures

Various figures and diagrams are referred to in the text. For example (30/2) refers to Figure 30, item 2.

1.8 Position of the User

In front of the unit and on the bed.

INFORMATION FOR THE SALON PERSONNEL

2 OPERATION

2.1 Equipment - New and Proven



Important Information! Please read!
Please pass on all this information to the user.

Function

CHI Machine

The POWER OF CHI unit in the area of the feet is equipped with a CHI Machine (2/1). The vibrations produced by the CHI machine reproduce from the feet to the spine and up to the head thus making you experience a full body massage for your integral well-being.

AIR JET

An air vent is provided in the canopy, which allows cool air to be directed over the upper part of the body.

VENTILATOR

The ventilators continue to run for about 6 minutes (factory setting) after switching off of the unit to cool it down.

BREAKSAFE (POWER OF CHI XTT)

The transparent filter disks above the high pressure lamps in the canopy are equipped with a BREAKSAFE device. If one of these filter disks breaks, the circuit is cut and the unit can only be taken into operation again after the filter disk has been exchanged. The XTT filter disks on the three high pressure lamps must be visually inspected.

BREEZE

There are two nozzles in the canopy from which a fine atomised spray of distilled, sterilised water can be sprayed into the tanning area on demand.

AROMA

There is an aroma module in the base of the unit. At start of tanning a fragrance is sprayed into the tanning area together with the body cooling air.

HEADPHONES SOCKET

Headphones can be plugged into the 3.5 mm diameter socket, allowing you to listen to the music provided centrally.

INTERACTIVE OPERATION

The intensity of tanning and cooling can be adjusted separately for the body and face.

SERVICE MODULE

The service module facilitates maintenance and inspection of expendable parts for wear (Sect. 5).

LOUDSPEAKERS (Optional)

The sunbed can be equipped with two loudspeakers on demand to listen to music provided centrally while tanning.

2.2 Starting



Warning

Observe the timetable.

Do not exceed the tanning time recommended for your skin type. Avoid sunburn.

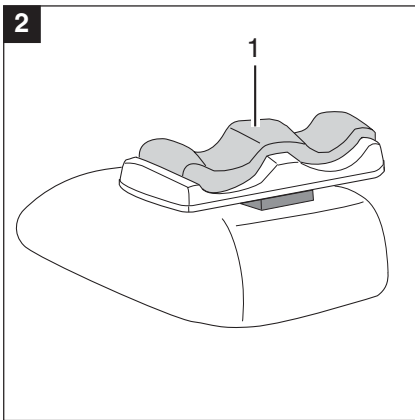
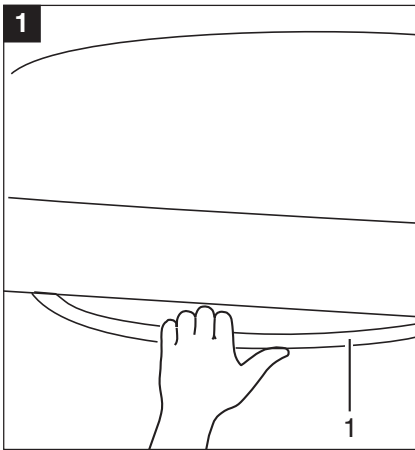
Never undergo ultraviolet exposure if you have a sunburn.

Your final tan (when your skin does not tan any more) depends on your skin type. This cannot be changed by using a solarium but only preserved.

Close your eyes while tanning and always wear the protective goggles provided.

People who have undergone surgery to their eye lenses must wear protective goggles.

Please observe the safety instructions for the CHI Machine (2/1, Sec. 1.3).



Starting for coin operation

1. Insert coins or chips in the coin meter. The unit automatically starts after the warming-up period, depending on whether central control desk or coin timer is used.
2. If you want to start the unit before the end of the warming-up period, press the START button (3/17, early start).
3. If you want to stop the unit before the end of the tanning time set, press the STOP button (3/18) beside the START button.

Tanning time continues during this interruption, i. e. the flashing display (3/20) continues counting.

Starting for private use

1. Press the START button (3/17) on the control panel.
2. Pressing the START button several times sets the tanning time in intervals of one minute or pressing the STOP button corrects the time.

The tanning time must be set within 20 seconds.

Tanning starts 5 seconds after actuating the START button for the first time.

3. You can interrupt the tanning session by pressing the STOP button (3/18) beside the START button.

The display rests on the current tanning time.

The display lights up and shows a remaining tanning time.

4. If you press the START button (3/18) again, the tanning session is continued. **If the tanning session is not continued after a time of maximum 60 minutes, the unit changes to standby mode.**
5. If you press the STOP button again, the tanning session is interrupted completely and the display (3/20) shows 0.

2.3 On the bed

1. Lie on the bed.



Do not rest any part of the body on the edge of the bed to avoid bruising!

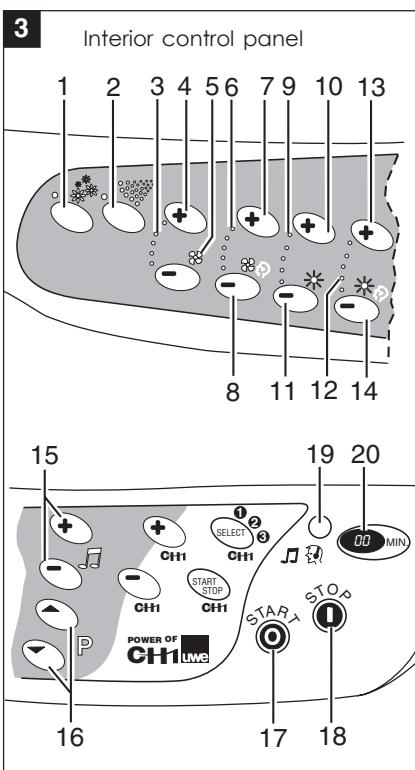
Warning

2. Pull down the canopy using the hand rail which is in easy reach of your left hand (1/1).
The tanning distance depends on the type of sunbed.

Unit coin-operated

If the tanning session does not start immediately after having inserted coins or chips in the coin-operated timer it is due to the warming-up time. The lamps will turn on automatically at the end of the warming-up period.

If you want to start the unit before the end of the warming-up period, press the START button (3/18, early start).



2.3.1 Interior Control Panel

- **START button (3/17)**

Unit coin-operated

If you have interrupted the tanning session by pressing the STOP button (3/18) you can restart the tanning session by pressing the START button (3/17).

With the START button you can start the unit before the end of the warming-up period (early start).

Unit for private use

By pressing the START button (3/17) over and over again, you can set the time on the display (3/20) to the tanning time you want in steps of one minute. This has to be carried out within a period of 20 seconds.

Tanning starts 5 seconds after actuating the START button for the first time.

If you have interrupted tanning with the STOP button (3/18), you can restart tanning again with the START button (3/17).

- **STOP button (3/18)**

You can interrupt the tanning session any time by pressing the STOP button (3/18).

Unit coin-operated

You can switch off the sunlamps before the end of the tanning session by pressing the STOP button (3/18).

Tanning time continues during this interruption, i. e. the display (3/20) continues to count.

Unit in private use

You can switch off the sunlamps before the end of the tanning session by pressing the STOP button (3/18).

The display shows the tanning time elapsed.

The display lights up and shows a remaining tanning time.

If you press the STOP button (3/18) again, the tanning session is interrupted completely and the display shows 0.

- **Ventilator buttons**

The buttons (3/4, 3/5) control the cooling air supply from the fan at the base of the unit.

The buttons (3/7, 3/8) control the cooling air supply from the air vent in the upper canopy area.

Press the Plus button (3/4 or 3/7) to increase the intensity of the corresponding cooling air supply and press the Minus button (3/5 or 3/8) to decrease the intensity. You can choose from 3 different levels. The small red LED's (3/3 or 3/6) light up to indicate the cooling level chosen. For level 1 LED 1 is switched on, for level 2 LED 1, 2, and 3 and for level 3 LED 1, 2, 3, 4, and 5. If you want to switch off ventilation completely, press the Minus button (3/5 or 3/8) at level 1 for 3 seconds. When the tanning is restarted, the ventilation level chosen is retained. If ventilation had been switched off, the unit starts with level 2.

- **Tanning buttons**

The buttons (3/10, 3/11) control the intensity of the tanning of the body.

The buttons (3/13, 3/14) control the intensity of the tanning of the face. For a unit model HD XTT these are the three high-pressure lamps, for a unit model CPS these are the U.P.P lamps for the face.

Press the Plus button (3/10 or 3/13) to increase the intensity for the corresponding tanning area and press the Minus button (3/11 or 3/14) to decrease the intensity. You can choose from 3 different levels. The red LED's (3/9 or 3/12) light up to indicate the level chosen. For level 1 LED 1 is switched on, for level 2 LED 1, 2, and 3 and for level 3 LED 1, 2, 3, 4, and 5. If you want to switch off tanning of the body completely, press the Minus button (3/11) at level 1 for 3 seconds. If you want to switch off tanning of the face completely, press the Minus button (3/14) at level 1 for 3 seconds.

If tanning of the face is switched off via the Minus button (3/14) and switched on again within 2 minutes, the active LED's (3/12) light up for 2 minutes, i.e. the high pressure lamps need up to 2 minutes to relight.

When tanning is restarted, the level chosen before is retained.

If the face tanners have been switched off, the unit will restart tanning on level 3 (highest level). When the tanning time is expired (Off coin-operated or OFF private use), the face tanners are gradually turned off.

- **Display (3/20)**

Unit coin-operated

The two-digit display (3/20) counts the time from the active coin meter signal in steps of one minute. It shows how much tanning time has elapsed.

If the tanning time is interrupted by pressing the STOP button (3/18), the display (3/20) continues to count the tanning time.

At the end of the tanning session the unit switches off and the display shows 0.

Unit in private use

The two-digit display (3/20) counts the time from beginning of tanning in steps of one minute down to 0. If the tanning time is interrupted via the STOP button (3/18), the display lights up and shows the currently elapsed tanning time.

- **Volume control buttons (3/15 see Sec. 5.2)**

Adjust the volume of the music using both buttons. By pressing the Plus button the volume is raised, by pressing the Minus button, the volume is reduced.

- **Audio System Program Selection Buttons (3/16, see Sec. 5.2)**

Select one of the entertainment programs with the arrow-buttons (3/16) beside the letter "P".

- **AROMA button (3/1)**

The AROMA program starts automatically when tanning starts, you need not press any button. You can stop the AROMA program by pressing the AROMA button (3/1), and restart it by pressing it again. The red LED lights up during the AROMA program run. During the AROMA program, the cooling of the body is on the lowest level of ventilation, cooling of the face is switched on correspondingly.

- **BREEZE button (3/2)**

If you press the button with the BREEZE symbol (3/2), a fine atomised spray of distilled water is sprayed from two nozzles in the canopy area onto the body and face.

During the spraying cycle (time out about 2 minutes), the LED lights up red and the BREEZE button cannot be activated during this time.

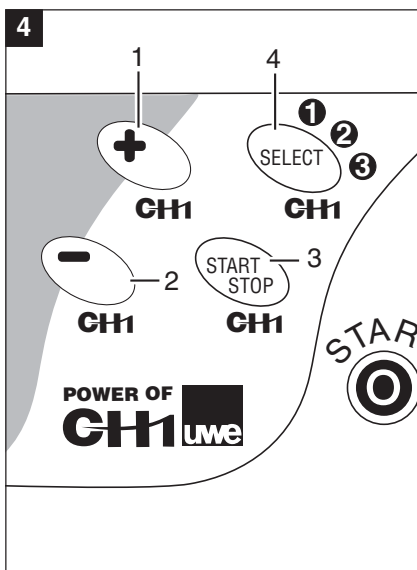
- **CHI Machine buttons (Fig. 4)**

Use the four buttons to control the intensity of the CHI Machine. Please read Sec. 2.3.2.

2.3.2 CHI Machine

Important News!

1. If you want to use the CHI Machine during tanning, please drink a glass of low mineral water first.
2. If you want to use the CHI Machine, put your feet in the foot rest (2/1) of the CHI Machine.
3. Rest your arms beside your body.
If you do not want to use the CHI Machine, either put your feet into the foot rest of the CHI Machine and switch CHI Machine off or put your feet to the right and the left of the CHI machine on to the bed.



Starting!

Using the CHI Machine is only possible during tanning (Unit coin-operated).

When the tanning cycle begins, the CHI Machine starts simultaneously in the slowest speed setting. The CHI motion can be interrupted by pressing the START/STOP button (4/4). Pressing this button again will restore the previous setting. Every change in operation mode will be shown in the display (4/20) for some seconds.

Two different operation modes are provided: "Manual" and "Automatic". In the manual mode a constant velocity of the CHI motion can be set by pressing the CHI+ (4/1) or CHI- (4/2) button. In the automatic mode you can select one of three different cycles by pressing the SELECT Button (4/3) several times. In this mode, CHI speed will be varied automatically within 10 minutes.

Stop

After the end of the CHI treatment please rest for one more moment. This is when you experience the pleasant energy flow: you often will experience a tingling of the body (e.g. legs) or of certain other areas. Relax.

Rise only when you feel like it. While you get up, take a deep breath and stretch your arms and legs.

Then drink another glass of low mineral water.

2.4 Cleaning the acrylic panel

Do only use dealer cleaning agent „PICCOBELLO“!



Warning

Always pay great attention to hygiene.

The surface and the foot rest of the CHI Machine must be disinfected and cleaned after each tanning session.

Keep dealer cleaning agent or other cleaning agents out of your eyes. Do not spray near an open flame.

Do not drink.

Keep out of reach of children.

Follow the manufacturer's instructions for the cleaning agent and observe the specified activation time.

Do not pour liquids onto the unit.

Cleaning the acrylic panel (5/1) and the foot rest (2/1)

1. Clean the acrylic panel bedplate and the foot rest (2/1) of the CHI machine after every tanning session using dealer „PICCOBELLO“ cleaning agent or Paletti hydro fleece.
2. When using dealer „PICCOBELLO“ cleaning agent, spray onto the acrylic panel and the foot rest and let it sink in for one minute.
3. Dry it off using a clean cloth.

INFORMATION FOR THE USER

3 INITIAL OPERATION

3.1 Important Information! Please read!

Never switch on a defective sunbed.

Ensure the maximum permissible room temperature (max. 95°F) is not exceeded, otherwise the unit may overheat.

Observe the requirements with regard to hygiene.

Provide protective goggles and ensure they are worn.

Point out that the permitted tanning time is dependent on the type of skin.

Point out the correct use of the CHI Machine.

Make sure the assembly and operating instructions are always available.

Be sure the safety instructions and timetable are clearly visible in the tanning cubicle.

Use the unit only in the closed state for a longer period of time.

3.2 Before Initial Operation

Safety and operating instructions must be read carefully and observed before installation and start-up.

3.3 Using the unit for the First Time

Before each initial operation all local safety regulations and notes on safety must be observed. Once the unit has been fully assembled, connected to the electricity supply and the coin-operated timer or the central control unit, it can be switched on.

4 CLEANING – IMPORTANT INFORMATION FOR THE OPERATOR

Observe the utmost hygiene for the sunbed and its surroundings. Dust deposits reduce the tanning effect.

Keep cleaning agents away from the eyes!

Do not spray cleaning agent near a naked flame!

Do not drink! Keep out of reach of children!

Do not pour liquids onto the unit to avoid moisture getting inside and affecting the electrical equipment.

Follow the manufacturer's instructions for the cleaning agent. Observe the specified activation time of the manufacturer.

There is no liability or warranty if other cleaning agents are used.

• Housing

1. Clean the coated outer surfaces of the unit with a damp cloth, with a little washing liquid to the water.
2. Do not use scouring agents.
3. Remove persistent dirt using a soft cloth and a bio-degradable cleaning agent (e.g. neutral soap).

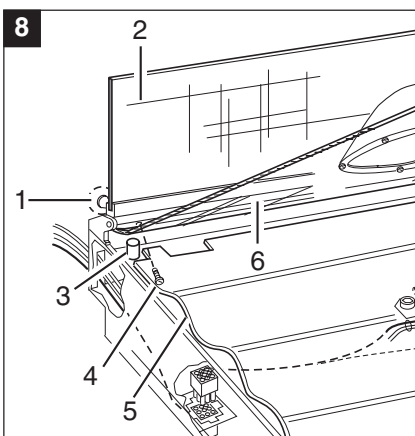
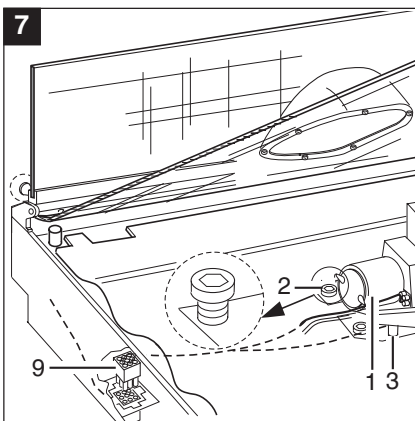
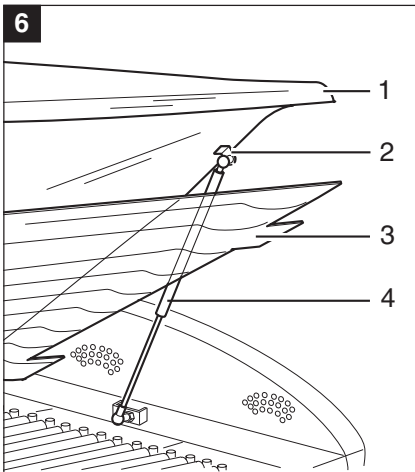
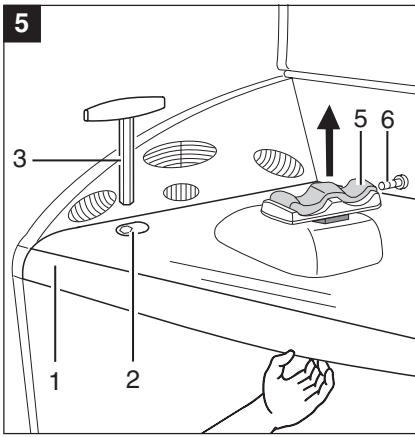
4.1 Clean acrylic panel

„PICCOBELLO“ is particularly suitable for disinfection, deodorisation and daily cleaning of all kinds of surfaces, especially in tanning studios and gyms.

„PICCOBELLO“ is supplied by dealer in concentrated form which has to be diluted with water before use.

4.1.1 Mixing PICCOBELLO ready for use

1. Mix 15 ml „PICCOBELLO“ in 1 liter of water. This produces a 1.5 % solution that requires an activation time of 1 minute.



4.1.2 Cleaning acrylic bed panel

1. Only use the dealer „PICCOBELLO“ cleaning agent or the Paletti hydro fleece on the acrylic panel.
2. When using dealer „PICCOBELLO“ cleaning agent, spray onto the acrylic panel (5/1) and allow it to sink in for one minute.
3. Dry it off using a clean cloth.
4. From time to time clean the under side of the bed panel, the corrugated acrylic panel below the bed top and the acrylic panel in the canopy and side tanner.

Opening up acrylic panel top of the bed

1. Take the Allen key provided and unscrew the screw (5/6).
2. Lift the foot rest (5/5) to the top.
3. Take the Allen key provided (5/3).
4. Unscrew the bolt (5/2) of the bed panel (5/1) with the key.
5. Repeat for the second bolt.
6. Hold on to the bed panel (5/1) at the front long side and open up the bed panel as far as it will go. The gas pressure spring (6/4) will keep the bed top (6/1) in the open position.

4.1.3 Removing CHI Machine

1. Pull the plug (7/9) of the CHI Machine out of the socket.
2. Unscrew the four hexagon screws (7/12) and pull them out of the retaining bolts.
3. Remove the CHI machine (7/1) to the top.

4.1.4 Cleaning Corrugated Acrylic Panel

1. Clean the corrugated acrylic panel (6/3).
The corrugated acrylic panel now rests on the bed and can be removed for cleaning.
2. Now also clean the underside of the bed panel (6/1) using „PICCOBELLO“ or Paletti hydro fleece.

Closing the acrylic panel

1. Place the corrugated acrylic panel top on the bed so that the slots are in line with the set screws (8/3).
2. Put the CHI machine (7/1) on its mounting place by using the two set screws (7/3).
3. Screw in the four hexagon screws (7/2).
4. Insert the plug of the CHI machine into the socket.
5. Hold the bed panel (6/1) at the front long side and put it onto the bed.
6. Turn both bolts (5/2) with the Allen key until the bed panel is secured firmly in place.
7. Attach the footrest (5/5) to the holder of the CHI machine.
Attention: The narrow longitudinal side of the foot rest must show to the upper side of the unit.
8. Screw the screw (5/6) into the foot rest (5/5).

4.2 Foot rest CHI Machine

1. Only use the dealer „PICCOBELLO“ cleaning agent or Paletti hydro fleece.
2. When using dealer „PICCOBELLO“ cleaning agent, spray onto the foot rest (5/5) and allow it to sink in for one minute.
3. Dry it off using a clean cloth.

4.3 CHI Machine (7/1)

Always first unplug the machine from the power supply!

Do not pour liquid onto the CHI machine.

1. Clean the CHI machine with a damp cloth (not too wet!) and please observe that the machine may be reinstalled only in dry condition.
2. Do not use scouring agents.

4.4 Reflectors

1. When replacing lamps, wipe the reflectors with a cloth soaked with alcohol.

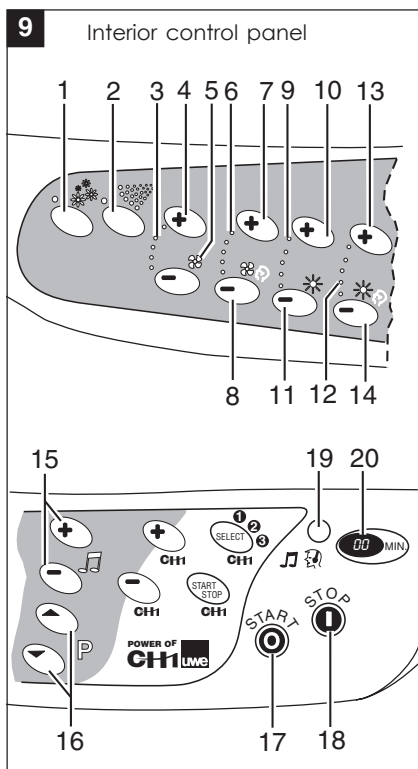
5 KNOW HOW FOR THE OPERATOR

5.1 Service-Module

(operating hours, lighting spot on the decimal display, error messages)

5.1.1 Service-Module

The Service-Module comprises three programs (program menu Pr, service menu S1, service menu S2), which can be called at the display (9/20). With these programs you can call operating hours, temperatures, error messages etc.



5.1.2 Operating the Service-Module (see operating diagram page 14)

1. Press the START button (9/18) and the STOP button (9/17) simultaneously for about 4 seconds. The program menu will appear on the display (9/20).
2. By pressing the START button, you can change between the three programs: Program menu, service menu 1, service menu 3. By pressing the STOP button while a program is running, you jump into the program.
4. If you press the START button in a menu, you will run through the individual parameters.
5. If you press the STOP button for a parameter, the parameter (e.g. the operating hours) is displayed. Two alternating values are displayed. The single digit shown indicates the ten thousands. The two digits displayed are the thousands and hundreds.
6. Pressing and holding the START button displays the tens and the ones.
7. Pressing the START (9/18) and STOP (9/17) buttons simultaneously for about 4 seconds enables the elapsed time to be set to 0 (RESET), e.g. after replacing lamps.
8. To quit the service module, press the START and STOP button again simultaneously for about 4 seconds on program level Pr.
9. **If you unplug the unit from the power supply within 5 minutes of leaving the service module, the parameters you have changed will be saved and activated.**

If parameters are changed but you do not unplug the unit after leaving the service module to confirm your changes, then the previous settings remain unchanged.

If you are in the service module but do not make any changes within a period of about 4 minutes, the system automatically exits the service module and returns to standby mode.

For operating the service module see diagram page 14.

5.1.3 Programs of the Service-Module

- Program menu Pr

1. Read the operating hours in the program menu.
PrP1: Operating hours solarium
PrP2: Operating hours body tanners
PrP3: Operating hours face tanners
PrP4: BREEZE sprayings (see Sec. 6.6)
PrP5: Bleed BREEZE (BREEZE see Sec. 6.7)
PrP6: Operating hours AROMA
2. In the program menu, e.g. for P2, press the STOP button to read the currently elapsed operating time of the body tanners.
3. Read the operating hours.
Two alternating values are displayed. The single digit shown indicates the ten thousands. The two digits shown are the thousands and the hundreds.
4. Pressing and holding the START button displays the tens and the ones.
5. Pressing the START and STOP buttons simultaneously for about 4 seconds enables the elapsed time to be set to 0 (RESET), e.g. after replacing lamps.
The left dot on the 7 segment display lights up.
6. When the operating hours counter has reached its limit value, the left dot of the 7 segment display lights up. Go to the program menu and replace the lamps for which the operating time has expired. Then reset operating hours to 0 (RESET).
7. Disconnect equipment within 5 minutes to save and activate the modified parameters again.
The right dot of the decimal display lights up.
If the right dot of the decimal display lights up, either the BREEZE canister or the AROMA bottles must be replaced.
Go to the program menu PrP4 or PrP6.

BREEZE

Read the number of BREEZE sprayings at PrP4. The right dot of the decimal display lights up when the limit value of 1900 sprayings has been achieved. The right decimal point and the LED lamp below the BREEZE button light up as soon as 2000 sprayings are completed, the BREEZE button then cannot be used any more.

You must replace the BREEZE canister.

If you replace a BREEZE module component, such as the reservoir, the number of sprayings has to be reset to 0 (PrP4), the BREEZE system has to be bled and the unit unplugged from the mains.

1. For more information on this procedure see Sec. 6.7.

OR

AROMA

Read the AROMA operating hours in PrP6. The right dot of the decimal display lights up when the limit value of 300 operating hours has been reached. You must replace the AROMA bottles.

If you replace both AROMA bottles, the number of AROMA operating hours has to be reset to 0 (PrP6).

1. For more information on this procedure see Sec. 6.6.
2. For further information on AROMA see Sec. 5.3.

• **Service Menu S1 and Service Menu S2**

1. The service Menu 1 shows:
 - S1P1: Ventilation overrun time can be set between 0 and 10 minutes.
 - S1P2: Temperature 1 supply air, reading
 - S1P3: Temperature 2 supply air, reading
 - S1P4: Limit value to be set for operating hours of ND lamps. If this is reached, the left dot in the 7 segment display lights up.
 - S1P5: Limit value to be set for operating hours of HD lamps. If this is reached, the left dot in the 7 segment display lights up.
2. **Disconnect equipment within 5 minutes to save and activate the modified parameters again.**

• **Service Menu S2**

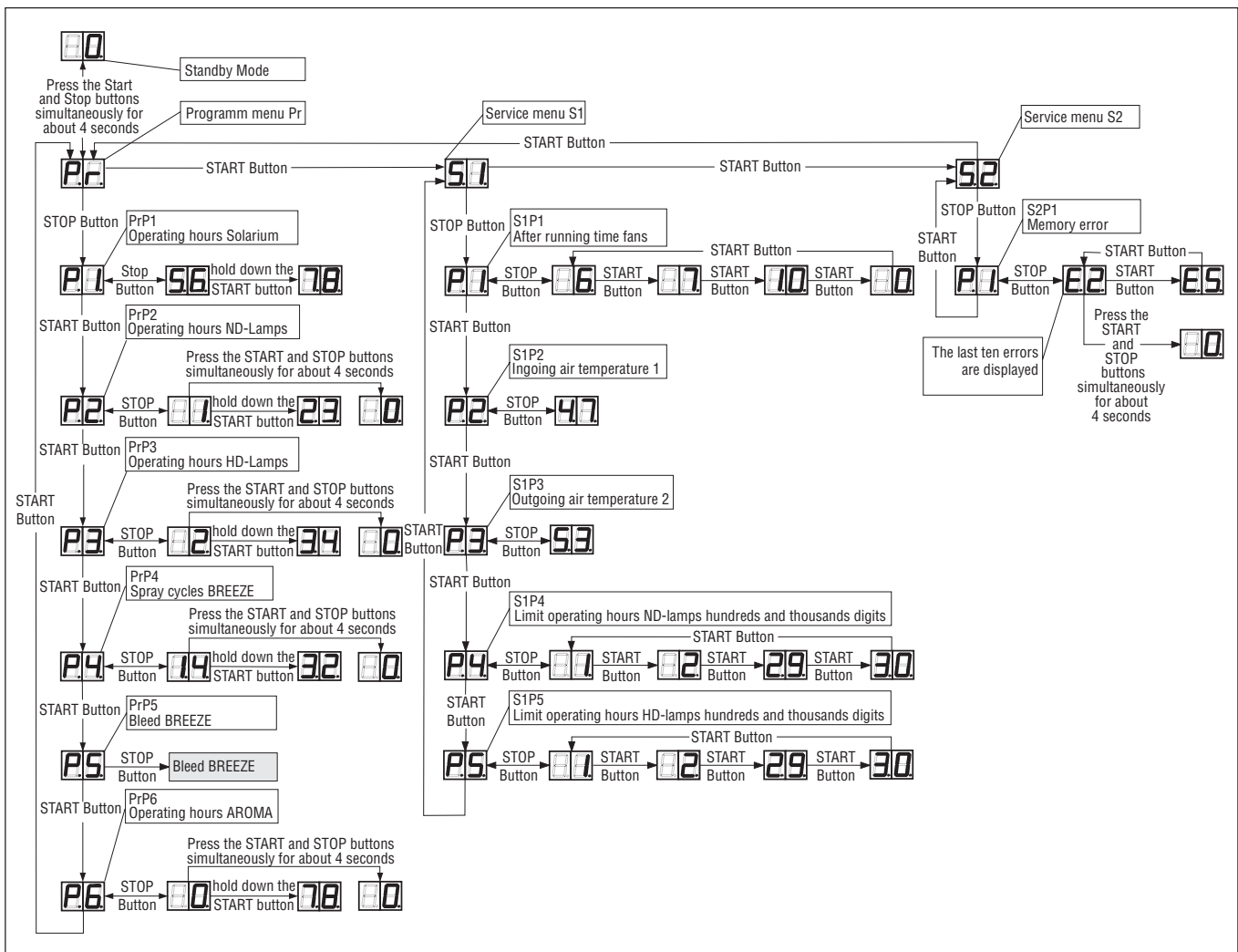
1. In Service Menu 2 read the error messages with an E at the left position and an error number at the right position.
2. In case of an error message, press the START button (9/18) in Service menu 2 to display the last ten errors.



In case of an error message on your display please contact your authorized dealer or the Customer Service.

Warning

Overview of the Service Module:



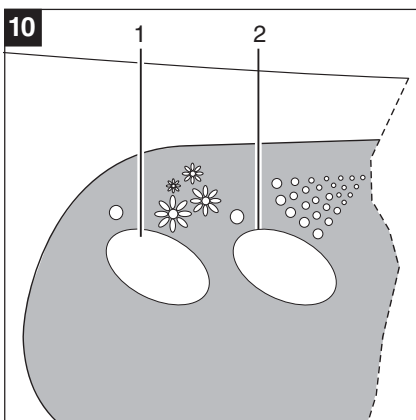
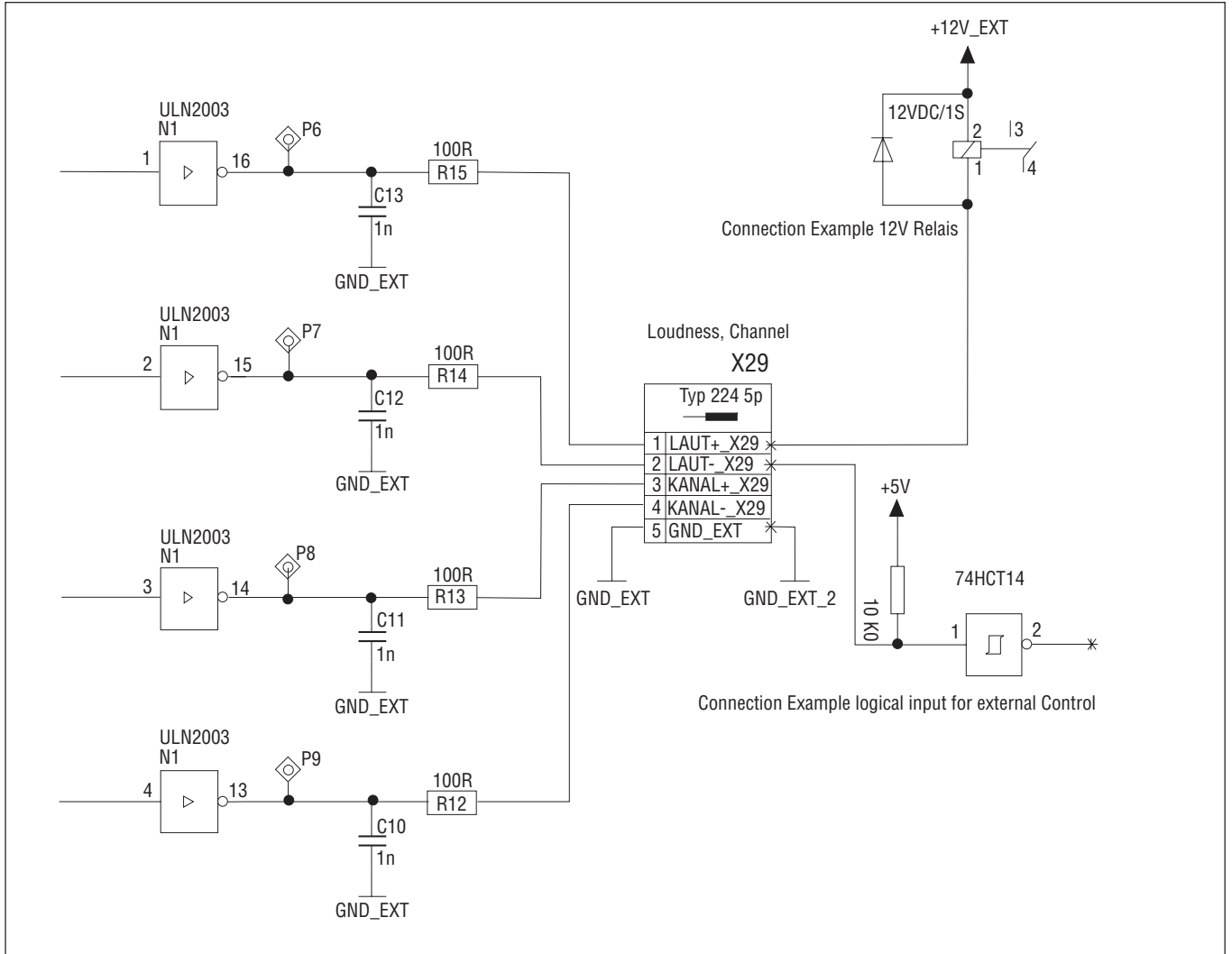
5.2 Sound system

Sound system

The unit is equipped with two buttons for volume control (9/15) and with two buttons for programm select (9/16). As a factory setting these buttons are connected to your studio PC provider or your sound system provider (central control). The connection is carried out according to the following connecting example.

Connection of sound system

Connecting example for an external relay or logic input of an external electronics assembly.



5.3 Sequence of AROMA phases

The AROMA module in the base consists of 2 fragrances, which from the beginning of the tanning period are conducted in turn into the tanning cabinet via the air ventilation of the body air vent (subdivided in four phases). This means that the AROMA module **automatically** starts with phase 1 when the tanning lamps start (you need not activate a button). The LED lamp at the AROMA button (10/1) lights up red.

If the AROMA button (10/1) is not activated during the tanning session, the AROMA program proceeds in the following way:

Phase 1

From start until 2 minutes after start of tanning, every 30 seconds a spraying of 5 seconds is conducted from aroma bottle 1 into the air stream of the body air vent.

Phase 2

From the third minute until the end of the tanning period, every 60 seconds a spraying of 10 seconds is conducted from aroma bottle 2 into the air stream of the body air vent.

Phase 3

From the end of the tanning period until the end of the overrun time, every 30 seconds a spraying of 7 seconds is conducted from aroma bottle 1 into the air stream of the body air vent.

Phase 4

Then a spraying of 10 seconds is conducted from aroma bottle 2 into the air stream of the body air vent (for a period of 15 minutes) every 3 minutes.

Attention!

If you stop the AROMA program with the AROMA button, the program continues to run in the background, but the outlets are closed.

If you stop tanning during AROMA phase 1 and 2, the air vent overrun time is started immediately together with AROMA phase 3. If you restart tanning during AROMA phase 4, the AROMA phase 4 is interrupted and AROMA phase 1 is started with the start of the tanning period.

6 SERVICING AND MAINTENANCE



Always first unplug the unit from the power supply!

Warning

The operator must ensure that the equipment is only used when it is in perfect condition.

Be sure that technical equipment is inspected and serviced regularly.

During repair or start-up additional measures need to be taken to prevent unauthorised access to the safety enclosure.

Only authorised persons may work on the equipment, contact your authorised dealer or the Customer Service for further information.

Do not do anything, which could impair the safety of the equipment.

Always purchase original spare parts from your authorised dealer. No liability can be accepted if other lamps, tubes or starters are installed other than those originally supplied.

Do not use the unit without the acrylic panels.

Check the CHI Machine every 1000 operating hours.

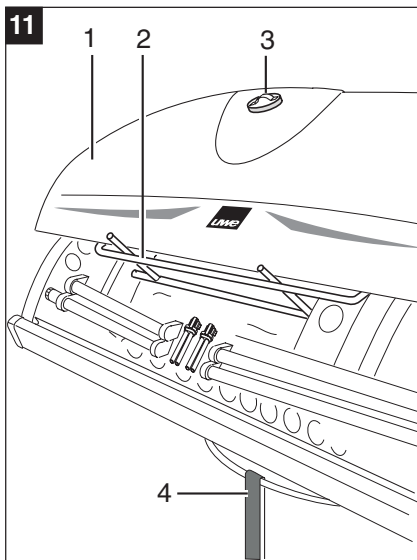
When working on the canopy, the large cover (11/1) can be supported by a bracket (11/2), so that the cover doesn't need to be completely removed.

Only pull out the bed for maintenance after you have released the acrylic panel of the side tanner and laid it on to the bed top.

Before lifting up the large cover (11/1) of the canopy, first adjust the canopy with the supporting strap (11/4) in the lowest position (unit closed). Otherwise the cover may be damaged.

Attention!

The canopy is secured by a mechanical safety device.



6.1 Exchanging the Acrylic Panel

The acrylic panels are made of special material with high UV permeability. Therefore never use window glass or Plexiglas to replace them as they will either completely or partially filter out the UV rays. Always purchase original acrylic panels from your authorised dealer or equipment supplier. On delivery, the acrylic panel is covered by a protective sheet on each side. Pull off these sheets before inserting the panel in the sunbed. Do not use the unit without the acrylic panels as adequate cooling of the lamps will then no longer be guaranteed.



The manufacturer will not be liable in case of damage.

Warning

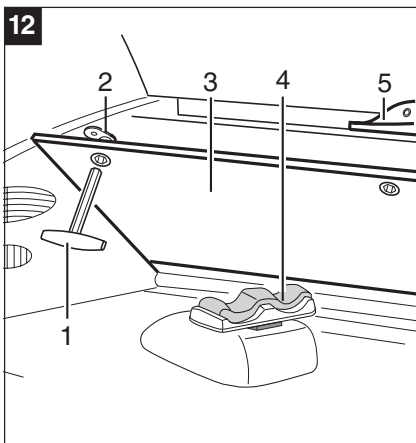
The acrylic panels of the canopy, side tanner and bed top are frosted on one side (**LIGHTGLASS**).

1. When installing the acrylic panel ensure that the frosted side of the acrylic panel is always towards the lamps.
2. Do not polish the frosted side of the acrylic panel with polishing paste.

6.1.1 Acrylic Panel Bed /Side tanner

The upper surface of the bed and the acrylic panel of the side tanners are joined to each other by a rail.

Two acrylic panels are positioned one above the other in the bed, the corrugated one below and the bed panel for lying on above.



Fold up acrylic panel

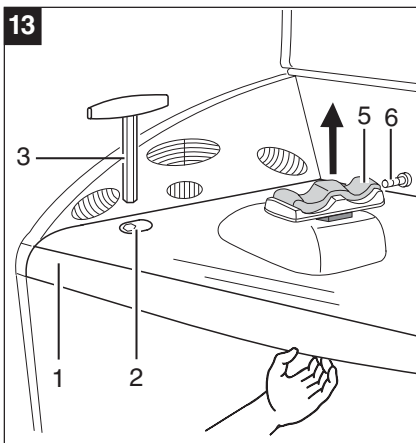
1. Take the Allen key provided and unscrew the screw (13/6).
2. Lift the foot rest (13/5) to the top.
3. Take the Allen key provided (13/3).
4. Unscrew the bolt (13/2) of the bed panel (13/1) with the key.
5. Repeat for the second bolt.
6. Hold on to the bed panel (13/1) at the front long side in the middle and open up the bed panel as far as it will go. The gas pressure spring (14/4) will keep the bed top in the open position.

Remove CHI unit

1. Pull the plug (15/9) of the CHI Machine out of the socket.
2. Unscrew the four hexagon screws (15/8).
3. Remove the CHI Machine (15/10) to the top.

Further disassembling

1. The corrugated acrylic panel now rests on the bed and can be taken out.
2. **Release both gas pressure springs at the bottom fixture (14/2) as otherwise the bed panel remains under tension.**
3. Put the bed panel (14/1) on the bed.

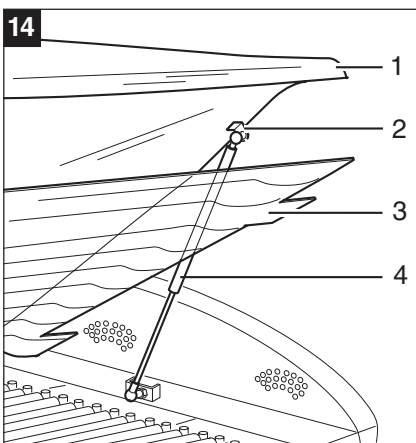


Acrylic side tanner panel

1. Lift up the interior control panel (12/5).
The control panel snaps into place.
2. Take the Allen key (12/1) and turn the three bolts (12/2) to the left.
Attention! The acrylic panel closes down. Please lay it carefully onto the bed panel.

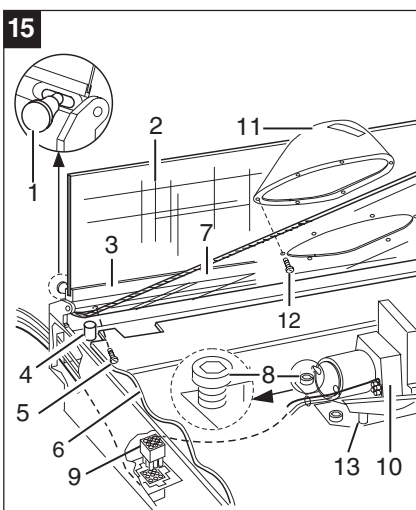
Release unit

1. Turn the bolts (15/1) at the back of the rail (15/3) and push them towards the center of the unit.
2. Remove the acrylic side tanner panel (15/2) and the bed panel (15/7) completely together with the rail (15/3).
3. If you want to separate the bed panel (15/7) from the rail, unscrew the five screws 4 x 10 (15/5) screwed in from the bottom.
The acrylic side tanner panel cannot be detached from arming try.



Mounting the acrylic panels

1. Place the corrugated acrylic panel top (15/6) onto the bed so that the slots are in line with the adjusting bolts (15/4).
2. Put the CHI machine (15/10) on its mounting place by using the two set screws (15/13).
3. Screw the four hexagon screws (15/8) into the adjusting bolts.
4. Insert the plug of the CHI machine into the socket.
5. If you have removed the bed panel (15/7) from the rail, reattach it by tightening the five screws (15/5).
6. Take the complete unit (bed panel, acrylic side tanner panel and the rail) and place them carefully on the corrugated acrylic panel. Handle with care. Do not scratch the side parts.
7. Insert the bolt pins (15/1) into the bed frame holes on both sides.
8. Secure the pins by pushing the bolts (15/1) towards the front face and screw them tight.
9. Open up the bed panel and attach the gas pressure springs (14/4) on both sides at their top ends (14/2) to the bed panel (14/1).
10. Hold on to the bed panel (13/1) at the front long side and put it onto the bed.
11. Turn both bolts (13/2) with the Allen key until the bed plate is secured firmly in place.



Fitting the acrylic side tanner panel

1. Lift up the interior control panel (12/5).
The control panel snaps into place.
2. Tilt the acrylic panel towards the side tanner until it touches.
3. Turn the three bolts (12/2) to the right using the Allen key (12/1).
4. Swing the control panel (12/5) down.
The control panel snaps into place.
5. Attach the foot rest (13/5) to the holder of the CHI machine.
6. Screw the screw (13/6) into the foot rest.

6.1.2 Acrylic glass top for CHI Machine

The acrylic glass top (15/11) for the CHI Machine can be replaced separately of the bed panel.

Open up bed panel

1. Take the Allen key provided and unscrew the screw (13/6).
2. Lift the foot rest (13/5) to the top.
3. Take the Allen key provided (13/3).
4. Unscrew the bolt (13/2) of the bed panel (13/1) with the key.
5. Repeat for the second bolt.
6. Hold on to the bed panel (13/1) at the front long side in the middle and open up the bed panel as far as it will go. The gas pressure spring (14/4) will keep the bed top in the open position.

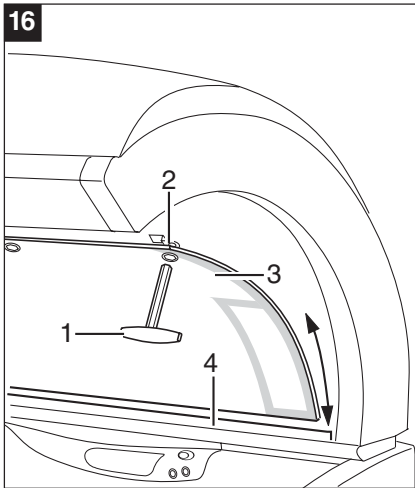
Detach acrylic glass top for CHI unit

1. Unscrew the six screws (15/12) from the under side of the bed panel.
2. Lift up the acrylic glass top (15/11).
3. Tighten the new acrylic glass top with the six screws.

Ensure that the rubber seal is correctly installed in the enclosing part of the acrylic glass top.

Close down bed panel

1. Hold on to the bed panel (13/1) at the front long side in the middle and put it onto the bed.
2. Turn both bolts (13/2) with the Allen key until the bed plate is secured firmly in place.
3. Attach the foot rest (13/5) to the holder of the CHI machine.
4. Screw the screw (13/6) into the foot rest (13/5).



6.1.3 Acrylic Panel Canopy

Removing the acrylic panel

1. Take the Allen key (16/1).
2. Turn the three hexagonal bolts (16/2) using the Allen key (16/1).
3. Tilt the acrylic panel with its side wall to the front.
4. Lift the acrylic panel (16/3) out of the rear longitudinal groove (16/4)..

Mounting the acrylic panel

1. Fit the acrylic panel in the longitudinal slot (16/4) as shown by the printing. XTT Unit: The polished GB area of the acrylic panel lies above the high pressure lamp compartments.
2. Swing the acrylic panel (16/3) towards the canopy until it fits closely.

Attention! Face ventilator!

3. Turn the three hexagonal bolts (16/2) with the Allen key so that the acrylic panel is secured firmly in place.

6.2 Servicing of High-Pressure Lamps (only POWER OF CHI XTT unit)

The high pressure lamps in the canopy are equipped with a specific filter glass configuration.

XTT Unit

In front of each of the three high pressure lamps in the canopy there is an XTT filter disk and a transparent filter.

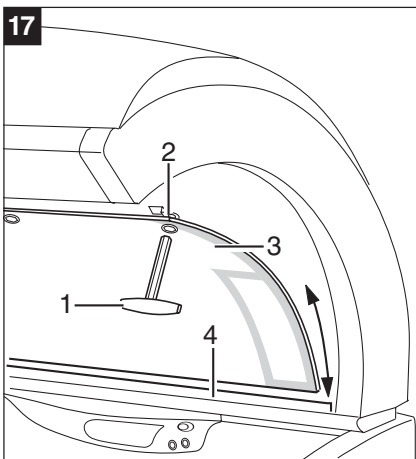


Warning

The high pressure lamps must only be operated with this special filter configuration specific to the equipment. If filter disks are damaged or missing, the unit may not be used under any circumstances. Danger of burning! Danger of permanent damage to the eyes! Depending on the model, the face tanner will not switch on if restarted immediately or it will only switch on with reduced power as a cooling period of about 4 minutes is required. To replace a high pressure lamp, please contact the manufacturer or an authorised dealer. No liability will be taken if tubes other than those originally supplied are used.

POWER OF CHI XTT BREAKSAFE

The transparent filter disks above the high pressure lamps in the canopy are equipped with a BREAKSAFE device. If one of these filter disks breaks, the circuit is cut and the unit can only be taken into operation again after the filter disk has been exchanged. The XTT filter disks on the three high pressure lamps must be visually inspected.



6.2.1 Replacing High Pressure Lamp in canopy

Attention!



Warning

Hold the high pressure lamp by the rectangular cap only.
 Never pull on the glass bulb of the high pressure lamp.
 Never touch the glass bulb of the high pressure lamp with your fingers.
 If this does happen by mistake: wipe off the finger prints with a clean cloth moistened with alcohol.

Removing the acrylic panel (17/3)

1. Take the Allen key (17/1).
2. Turn the three hexagonal bolts (17/2) with the Allen key (17/1).
3. Tilt the acrylic panel with its side wall to the front.
4. Lift the acrylic panel out of the longitudinal groove at the back (17/4).

Removing the high pressure lamp

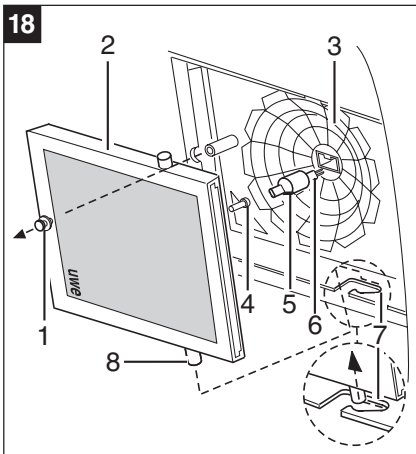
1. Pull down the lock (18/1) on the appropriate disk holder.
Attention! The disk fixture moves down about 15 degrees.
2. Take the disk fixture (18/2) with both hands and lift it a little towards the canopy.
The bolt on both sides (18/8) slide out of the fixture (18/7).
3. Pull the disk fixture off with both hands towards the front.
4. Hold the high pressure lamp (18/5) by the rectangular cap (18/6) and pull it out of the socket.

Clean reflector

1. Clean the reflector (18/3) using a clean cloth moistened with alcohol.

Mounting a high pressure lamp

1. Hold the new high pressure lamp by the cap (18/6).
2. Insert the tube (18/5) in the socket.



Removing the filter discs

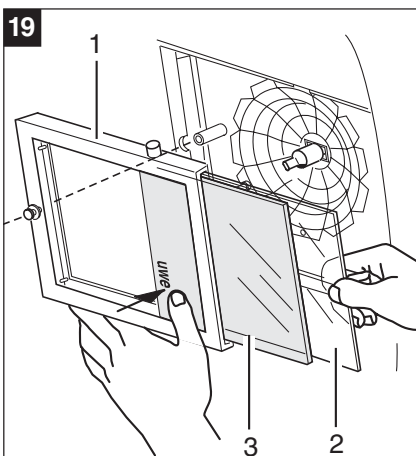
1. Take hold of the disk holder (19/1).
2. Take the disk fixture (18/2) with both hands and lift the filter disk with both thumbs over the particular adjusting device (rivet or bracket) and pull out the XTT filter (19/3) and the transparent filter disk (19/2).

Cleaning filter disks

1. Clean the filter disks with warm water containing a little detergent if required.
2. Dry the filter disks with a clean cloth.

Mounting filter disks

The canopy must not be operated without filter disks!
The coated side of the XTT filter must be towards the lamp.
The uwe Logo on the XTT filter disk must be readable from the bed.



Attention!

During assembly

Mount the transparent filter disk on the lamp side and the XTT filter on the user's side!

1. Mount the disk fixture as shown in Fig. 19.
2. Push the filter disks onto the correspondent adjusting device (rivet or angle bracket).
The filter disks snap into place.
3. Insert the completely mounted disk fixture (18/2) with the cleaned filter disks into the GB housing.
4. Swivel the disk fixture towards the canopy until it fits closely.



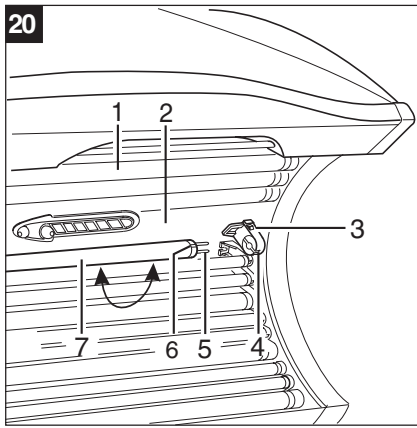
Warning

The bolt of the micro switch (18/4) for the BREAKSAFE fuse is pushed back.

5. Press the lock (18/1).
The disk fixture is tightly secured to the housing.

Mounting the acrylic panel

1. Position the acrylic panel (17/3) in the longitudinal slot (17/4) as shown by the printing.
2. Screw in the three bolts of the acrylic panel using the Allen key to fix it tightly.



6.3 Exchanging the Lamps

Burning in of lamps

At the beginning the colour of the light is slightly different but this changes after a short time. The lamps appear darker at the ends. This is due to physical reasons and does not mean the lamp is defective.

6.3.1 Exchanging the Long Sunlamp

• Exchanging the lamp

1. Remove the appropriate acrylic panel (see Sec. 6.1).
2. Rotate the sunlamp (20/7) in either direction until the contact pins (20/5) are visible in the socket groove (20/4).
3. Pull out the lamp.
4. Clean the reflector (20/2) using a clean cloth dampened with alcohol.
5. Hold the new lamp horizontally so that the contact pins (20/5) are one above the other.
6. In this position push the lamp into the socket. Rotate the lamp through 90 degrees until the notch (20/6) in the metal ring at the end of the lamp is on top.

For a reflector lamp, the lighter reflector side of the lamp should point towards the unit and the printing on the lamp towards the user.

7. Reinstall the appropriate acrylic panel.

• Exchanging the Long Sunlamps under the CHI Machine



Attention!

Handle with care! Pay attention to the order of the lamps (see arrow numbers in Fig. 20a). **Pay attention to the arrow way.**

Warning

1. Rotate the first sunlamp (see Fig. 20a sunlamp No. 1) in either direction until the contact pins are visible in the socket groove.
2. Pull out the lamp towards the head side section of the base.

Handle with care!

Do not scratch the head side section.

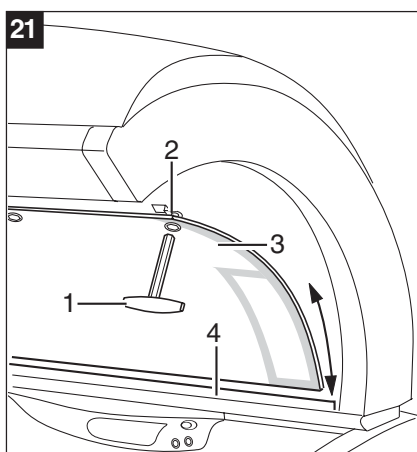
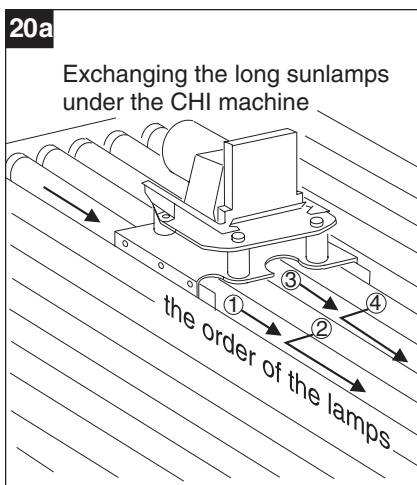
3. Lift the lamp up over the head side section.
4. Rotate the second sunlamp (see Fig. 20a sunlamp No. 2) just as the sunlamp No. 1.
5. Lift this sunlamp to the previous mounting place of the sunlamp No. 1 and also pull out the lamp towards the head side section of the base (like the arrow No. 2 in Fig. 20a).
6. Repeat for the sunlamp No. 3 and No. 4.

Pay attention to the order of the lamps.

Pay attention to the arrow way in Figure 20a.

7. Install the new sunlamps in inverse order.

Handle with care.



6.3.2 Exchanging the Illumination Lamps

One lamp each is located behind the front support of the canopy and underneath the front edge of the bed. The illumination lamps (22/2, 23/7) shine as long as the unit is connected to the power supply.

• Illuminating lamp canopy (Standby light)

Removing the acrylic panel

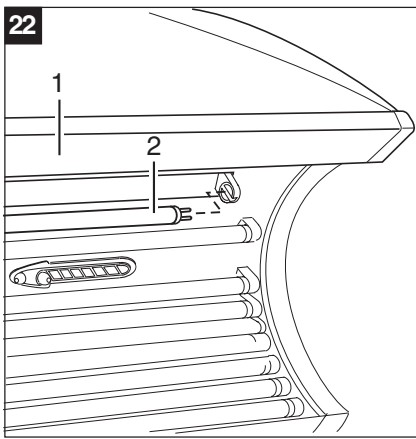
1. Take the Allen key (21/1).
2. Turn the three hexagonal bolts (21/2) with the Allen key. Tilt the acrylic panel (21/3) with its side wall to the front.
4. Lift the acrylic panel out of the rear longitudinal groove (21/4).

Replacing lamp

1. Dismount the sunlamp behind the long front support.
The illumination lamp (22/2) is located behind the sunlamps near the nozzle.
2. Replace the illumination lamp (see Sec. 6.3.1).
3. Put back the sunlamps.

Mounting the acrylic panel

1. Position the acrylic panel in the longitudinal slot (21/4) as shown by the printing. **POWER OF CHI XTT unit:** The polished GB area of the acrylic panel lies above the high pressure lamp compartments.
2. Swing the acrylic panel (21/3) towards the canopy until it fits closely.
Attention! Face ventilator!
3. Turn the three hexagonal bolts (21/2) with the Allen key so that the acrylic panel is secured firmly in place.



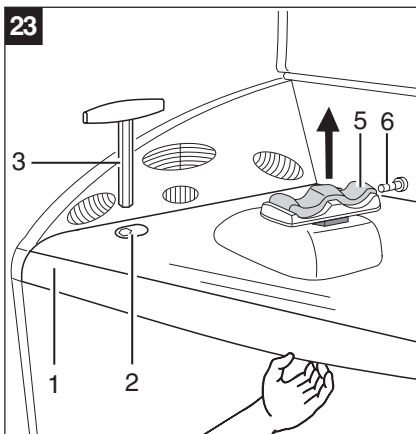
• Illuminating Light Bed (FLOORLIGHT)

Opening up the bed panel

1. Take the Allen key provided and unscrew the screw (23/6).
2. Lift up the foot rest (23/5).
3. Take the Allen key provided (23/3).
4. Unscrew the bolt (23/2) of the bed panel (23/1) with the key.
5. Repeat for the second bolt.
6. Hold on to the bed panel (23/1) at the front long side and open up the bed panel as far as it will go. The gas pressure spring will keep the bed top in the open position.

Removing the large cover in front of the base

1. Take the Allen key (24/2).
2. Unscrew the two hexagonal socket bolts (24/3) of the large cover with the Allen key towards the equipment center.
3. Open up the cover (24/1) a little to the front.
4. Disconnect both connectors (24/4) from the cover.
5. Lift the cover up over the two location pins (24/5) of the base and place it carefully on the ground.

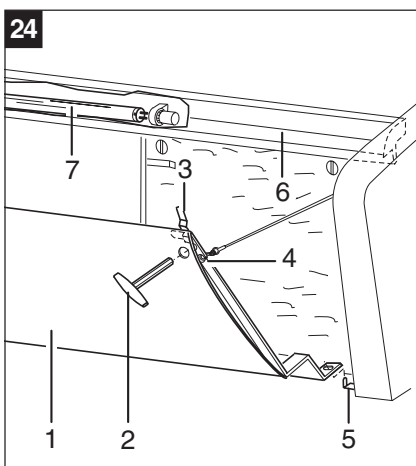


Replacing lamps

1. Look under the front edge of bed panel (24/6), where the illumination lamps (24/7) are located.
2. Replace the illumination lamp (24/7) (see Sec. 6.3.1).

Removing the large cover in front of the base

1. Insert the cover (24/1) with the bottom slots into the locating pins (24/5) of the base.
2. Tilt the cover a little towards the base.
3. Attach both connectors (24/4) to the cover.
4. Swing the cover at the top towards the base until it fits closely.
5. Screw in the two hexagonal socket bolts (24/3) using the Allen key (24/2) towards the side of the base.



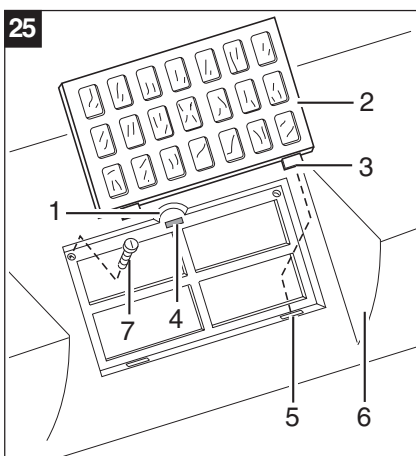
Close down bed panel

1. Hold on to the bed panel (23/1) at the front long side and put it onto the bed.
2. Turn both bolts (23/2) with the Allen key (23/3) so that the acrylic panel is secured firmly in place.
3. Attach the footrest (23/5) to the holder of the CHI machine.
Attention! The narrow longitudinal side of the footrest must show to the upper side of the unit.
4. Screw the screw (23/6) into the foot rest.

6.3.3 Canopy Effect Light

Removing the small cover of the canopy

1. Get hold of the recessed grip (25/1) above the small cover (25/2) and pull the small cover off.
The magnetic connection (25/4) detaches.
2. Pull the latches (25/3) of the small cover (25/2) out of the grooves (25/5) in the large cover (25/6).
3. Remove the small cover (25/2) to the top.
4. Unscrew both screws (25/7).



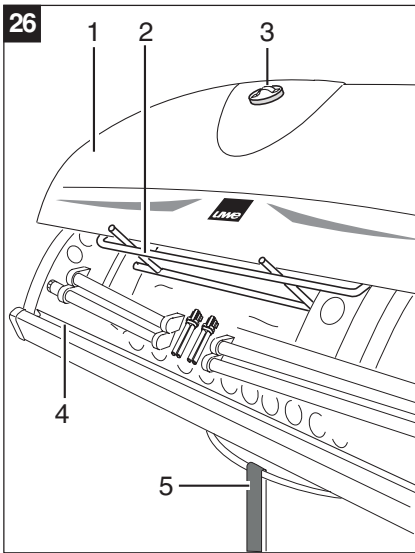
Opening up the large cover of the canopy

1. Remove the large cover (24/1) in front of the base.
2. Pull the supporting strap out of the base.
3. Press down the canopy and adjust it with the supporting strap (26/5) in the bottom position (important).
4. Fasten the sucker (26/3) on the cover (26/1).
4. Open up the cover until its longitudinal edge slides out of the front longitudinal rail (26/4).
5. Adjust the cover with the supporting strap (26/2) in open up position.

Replacing the effect light

The four long effect light lamps (27/5) are located above the front longitudinal rail of the canopy.

1. Replace the effect light lamp (27/5) (see Sec. 6.3.1).
2. Adjust the supporting strap in its rest position.
3. Lower the large cover and insert its front longitudinal edge into the front longitudinal rail of the canopy (26/4).
4. Screw in the two screws (25/7).



Fitting the small cover of the canopy

1. Pull the latches (25/3) of the small cover out of the grooves (25/5) in the large cover (25/6).
2. Tilt the small cover (25/2) against the large cover.
The magnetic connection (25/4) tightens.

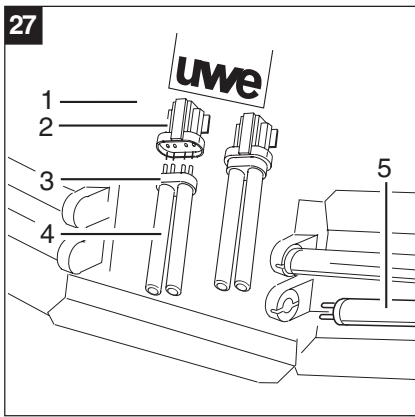
6.3.4 uwe Logo light in the Center of the Canopy

Removing the small cover of the canopy

1. Get hold of the recessed grip (25/1) above the small cover (25/2) and pull the small cover off.
The magnetic connection (25/4) detaches.
2. Pull the latches (25/3) of the small cover (25/2) out of the grooves (25/5) in the large cover (25/6).
3. Remove the small cover to the top.
4. Unscrew both screws (25/7).

Opening up the large cover of the canopy

1. Remove the large cover (24/1) in front of the base.
2. Pull the supporting strap out of the base.
3. Press down the canopy and adjust it with the supporting strap (26/5) in the bottom position (important).
4. Fasten the sucker (26/3) on the cover (26/1).
5. Open up the cover until its longitudinal edge slides out of the front longitudinal rail (26/4).
6. Adjust the cover with the supporting strap (26/2) in open up position.



Replacing lamp

1. Touch the defect lamp (27/4) only at the cap (27/3) and pull it out of the socket (27/2).
2. Clean the reflector (27/1).
3. Plug the new lamp into the socket.
Only hold the high pressure lamp by the rectangular cap.
4. Adjust the supporting strap (26/2) in its rest position.
5. Turn down the large cover (26/1) and insert its front longitudinal edge into the front longitudinal rail (26/4) of the canopy.
6. Screw in the two screws (25/7).

Fitting the small cover of the canopy

1. Insert the latches (25/3) of the small cover into the slots (25/5) of the large cover (25/6).
2. Tilt the small cover (25/2) against the large cover.
The magnetic connection (25/4) tightens.

6.4 Exchanging the Filter Mats

The air for cooling the unit passes through micro filter mats at the unit inlet. Fluff, hair, dust particles, etc. are filtered out so that components inside the unit like lamps only have to be cleaned intermittently. After a longer period of time, particles filtered out may clog the filters thus impairing the cooling of the unit. Therefore the filter mats have to be replaced from time to time to avoid an overheating of the equipment. The replacement interval depends on the hours of use and on the amount of dirt in the air.



Purchase original filter mats only from your authorised dealer or equipment manufacturer.

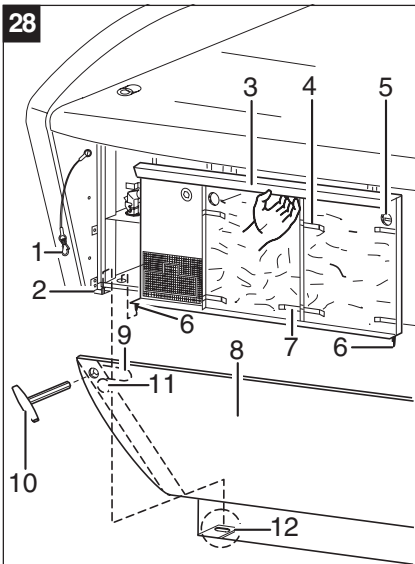
Function

1. Always check the filters at least every 200 operating hours.

6.4.1 Filter Mats in Base

Open up bed panel

1. Take the Allen key provided and unscrew the screw (23/6).
2. Lift up the foot rest (23/5).
3. Take the Allen key provided (23/3).
4. Unscrew the bolt (23/2) of the bed panel (23/1) with the key.
5. Repeat for the second bolt.
6. Hold on to the bed panel (23/1) at the front long side in the middle and open up the bed panel as far as it will go. The gas pressure spring will keep the bed top in the open position.



Removing the large cover in front of the base

1. Take the Allen key (28/10).
2. Unscrew the two hexagonal socket bolts (28/9) of the large cover with the Allen key towards the equipment center.
3. Open up the cover (28/8) a little to the front.
4. Disconnect both connectors (28/1) from the cover.
5. Lift the cover up over the two location pins (28/2) of the base and place it carefully on the ground.

Replacing filter mats

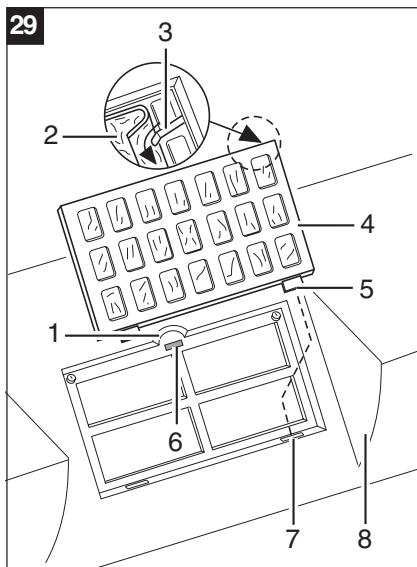
1. Lift up the springs (28/4, 28/7) and pull out the three filter mats.
2. Take the new filter mats and squeeze them tightly under the springs (28/4, 28/7).

Mounting the large cover in front of the base

1. Insert the cover (28/8) with the bottom slots (28/12) into the base.
2. Tilt the cover a little towards the base.
3. Attach both connectors (28/1) to the cover.
4. Swing the cover at the bottom towards the base until it fits closely.
5. Screw in the two hexagon socket bolts (28/9) using the Allen key (28/10) towards the side of the base.

Closing down bed panel

1. Hold on to the bed panel (23/1) at the front long side in the middle and put it onto the bed.
2. Turn both bolts (23/2) with the Allen key until the bed plate is secured firmly in place.
3. Attach the footrest (23/5) to the holder of the CHI machine.
Attention! The narrow longitudinal side of the footrest must show to the upper side of the unit.
4. Screw the screw (23/6) into the foot rest.



6.4.2 Filter Mats in Canopy

Removing the small cover of the canopy

1. Get hold of the recessed grip (29/1) above the small cover (29/4) and pull the small cover off.
The magnetic connection (29/6) detaches.
2. Pull the latches (29/5) of the small cover out of the grooves (29/7) in the large cover (29/8).
3. Remove the small cover to the top.

Replacing filter mats

1. Lift up the springs (29/3) and pull out the filter mat (29/2).
2. Take the new filter mat and squeeze it tightly under the springs (29/3).

Fitting the small cover of the canopy

1. Insert the latches (29/5) of the small cover (29/4) into the slots (29/7) of the large cover.
2. Tilt the small cover against the large cover.
The magnetic connection (29/6) tightens.

6.5 Stay in the Retaining Brackets

If the mechanical fall arrester is released, the canopy cannot be moved downward any more.



Please contact the Customer Service.

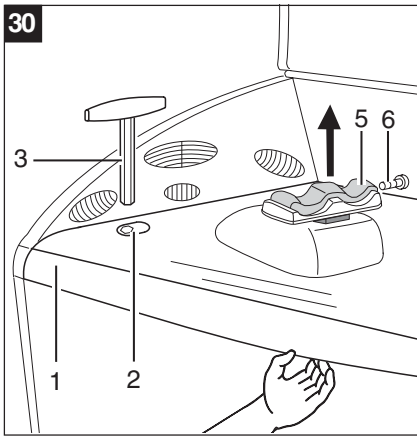
Function

6.6 Exchange of AROMA Bottles



Unplug the unit from the power supply before exchange of bottles.
Make sure to wear gloves when working on the AROMA module.
Pay attention to the edges of the housing. Work carefully!

Warning Each AROMA bottle contains 250 ml.

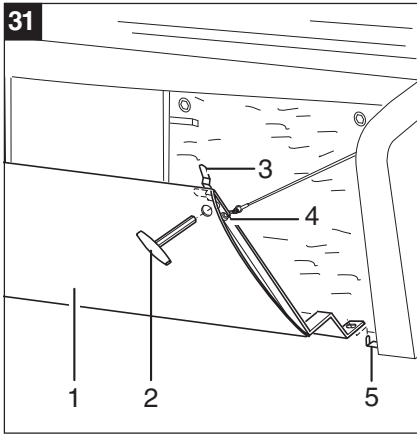


Opening up bed panel

1. Take the Allen key provided and unscrew the screw (30/6).
2. Lift the foot rest (30/5) to the top.
3. Take the Allen key provided.
4. Unscrew the bolt (30/2) of the bed panel with the key.
5. Repeat for the second bolt.
6. Hold on to the bed panel (30/1) at the front long side in the middle and open up the bed panel as far as it will go.
The gas pressure spring will keep the bed top in the open position.

Removing the large cover in front of the base

1. Take the Allen key (31/2).
2. Unscrew the two hexagonal socket bolts (31/3) of the large cover with the Allen key towards the equipment center.
3. Open up the cover (31/1) a little to the front.
4. Disconnect both connectors (31/4) from the cover.
5. Lift the cover up over the two location pins (31/5) of the base and place it carefully on the groundfloor.
6. Unhinge the cover grid (32/4).



Exchanging AROMA bottles

1. Twist off the aroma bottle (32/1) anti-clockwise.
2. Repeat for the second bottle.
3. Take the new aroma bottle and press it on the level controller (32/2).
4. Twist the bottle to the level controller clockwise. Ensure that the bottle is firmly secured.



Attention! Observe the order of the bottles!

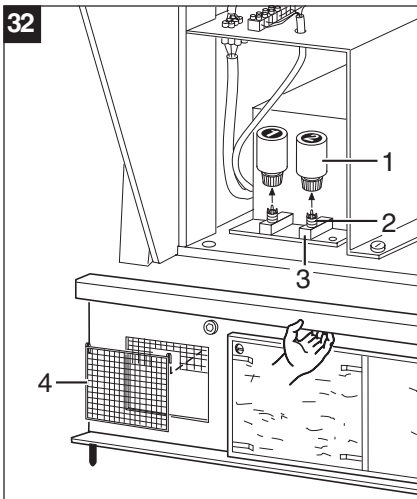
Arrange bottle no. 1 and bottle no. 2 from left to right.

The AROMA set consists of:

Bottle no. 1: Fragrance 1

Bottle no. 2: Fragrance 2

Warning



Removing the large cover in front of the base

1. Insert the cover grid (32/4).
2. Insert the cover (31/1) with the bottom slots into the location pins (31/5) of the base.
3. Tilt the cover a little towards the base.
4. Attach both connectors (31/4) to the cover.
5. Swing the cover at the bottom towards the base until it fits closely.
6. Screw in the two hexagon socket bolts (31/3) using the Allen key (31/2) towards the side of the base.

Closing down bed panel

1. Hold on to the bed panel (30/1) at the front long side in the middle and put it onto the bed.
2. Turn both bolts (30/2) with the Allen key (30/3) so that the acrylic panel is secured firmly in place.
3. Attach the footrest (30/5) to the holder of the CHI machine.
Attention! The narrow longitudinal side of the footrest must show to the upper side of the unit.
4. Screw the screw (30/6) into the foot rest.

Reset AROMA operating hours counter to 0.

The AROMA operating hours count the operating-time of the AROMA pump.

Attention! Reset AROMA operating hours counter to 0 in the program menu!

1. Enter program menu PrP6.
2. Press the STOP button in the program menu and then press START and STOP button simultaneously for 4 seconds.
The AROMA operating hours expired so far, are set to 0.
3. Disconnect equipment within 5 minutes to save and activate the modified parameters again.
See also Sec. 5.1 and the operating diagram page 14.

6.7 Replacing the BREEZE Canister



Unplug the unit from the power supply before exchange of canister.

Warning

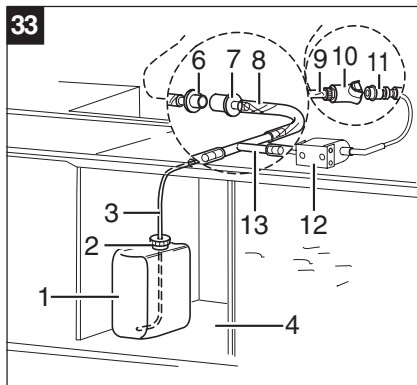
For health reasons never use normal tap water or ordinary distilled water. Only use the water in the original canister supplied by the dealer which has been distilled three times and is germ-free.

Opening up bed panel

1. Take the Allen key provided and unscrew the screw (30/6).
2. Lift up the foot rest (30/5).
3. Take the Allen key provided.
4. Unscrew the bolt (30/2) of the bed panel with the key.
5. Repeat for the second bolt.
6. Hold on to the bed panel at the front long side and open up the bed panel as far as it will go.
The gas pressure spring will keep the bed top in the open position.

Removing the large cover in front of the base

1. Take the Allen key (31/2).
2. Unscrew the two hexagonal socket bolts (31/3) of the large cover with the Allen key towards the equipment center.
3. Open up the cover (31/1) a little to the front.
4. Disconnect both connectors (31/4) from the cover.
5. Lift the cover up over the two location pins (31/5) of the base and place it carefully on the ground.



Replacing the water canister

1. Pull the silicone tube (33/3) from the empty canister (33/1).
2. Unscrew the closed cover from the full canister and screw on the cap (31/2) with the hole and nozzle of the empty canister.
3. Insert the tube (33/3) into the nozzle and push it until it touches the bottom.
4. Place the canister into the space (33/4) in the base.

Removing the large cover in front of the base

1. Insert the cover (31/1) with the bottom slots into the location pins (31/5) of the base.
2. Tilt the cover a little towards the base.
3. Attach both connectors (31/4) to the cover.
4. Swing the cover at the bottom towards the base until it fits closely.
5. Screw in the two hexagon socket bolts (31/3) using the Allen key (31/2) towards the side of the base.

Closing down bed panel

1. Hold on to the bed panel (30/1) at the front long side and put it onto the bed.
2. Turn both bolts (30/2) with the Allen key until the bed plate is secured firmly in place.
3. Attach the footrest (30/5) to the holder of the CHI machine.
Attention! The narrow longitudinal side of the footrest must show to the upper side of the unit.
4. Screw the screw (30/6) into the foot rest.

Reset number of sprayings to 0.



**Attention! Reset number of sprayings to 0 in the program menu!
Attention! The air must be bled out of the BREEZE system!**

Warning

1. Enter program menu PrP4.
2. Press the STOP button in the program menu PrP4 and then press START and STOP button simultaneously for 4 seconds.
3. The number of sprayings is set to 0.
4. Go into Program Menu PrP5 to bleed the air from the system.
5. In position PrP5 (Bleed BREEZE) press the STOP button for max. 1 minute until the spray nozzle shows a light spraying cone.
6. Disconnect equipment within 5 minutes to save and activate the modified parameters again.
Wait 1 minute before reactivating the pump of the BREEZE system.
See also Sec. 5.1 and the operating diagram page 14.

6.8 Maintenance of CHI Machine



Always first unplug the unit from the power supply!

Warning

Check the CHI machine every 1000 operating hours. Exchange the carbon of the d.c. motor.

Opening up bed panel

1. Take the Allen key provided and unscrew the screw (30/6).
2. Lift up the foot rest (30/5).
3. Take the Allen key provided.
4. Unscrew the bolt (30/2) of the bed panel with the key.
5. Repeat for the second bolt.
6. Hold on to the bed panel (30/1) at the front long side and open up the bed panel as far as it will go. The gas pressure spring will keep the bed top in the open position. Now the CHI machine is easily accessible.

7 TIPS FOR RECTIFYING SMALLER FAULTS



Warning

Unplug the unit before starting any servicing or repair work.

Repair work should only be carried out by the Customer Service or other authorised persons.

No safety devices may be removed or put out of action.

After each repair the unit must be tested in accordance with the adequate national norm and the results recorded (with copy). One copy of the report should remain with the operator and the other be sent to the Customer Service.

- **Dark spots at the lamp ends**

Dark spots which may appear near the ends of the lamp when switched off have no detrimental effect on the performance of the unit. Replace the starter to be on the safe side.

- **One or more lamps not lit (change starter)**

Changing the starter

1. Remove the appropriate acrylic panel.
2. Check if the lamp has been inserted correctly.
3. Ensure that the starter is mounted correctly.
4. Remove the starter (see Table 2) from the lamp which does not light by turning it counterclockwise and then reinsert it by turning it clockwise.
5. If the lamp still does not light up, then insert the starter of an intact lamp.
6. If this does not work, you must check the lamp.
7. Insert the lamp which does not light into a socket of a lamp which works. If the lamp does not light, it is defect and has to be arming try. If it does light up, there is an electrical fault in the equipment.



Inspection by the Customer Service or an authorised company.

Function

	Starter position	Action
Canopy	At lamp socket	Remove acrylic panel
Side tanner	At lamp socket	Remove acrylic panel
Bed	At top end lamp socket	Remove acrylic panel
Illuminating lamp	At lamp socket	

Table 2

- **Tanning canopy or tanning bed gets too hot**

1. Check if the air filters (filter mats) are blocked.
2. Ensure that the air extraction unit conducts the warmed cooling air away properly to the outside. The air must not be trapped in the hose or ventilation duct as this may cause the unit to overheat. The exhaust air hose must be laid without bends.

Information on effective ventilation is contained in the brochure „Air Conditioning Tips“, available from your authorised dealer or directly from us.



Inspection by the Customer Service or an authorised company.

Function

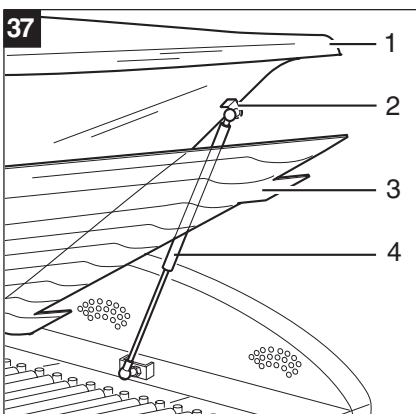
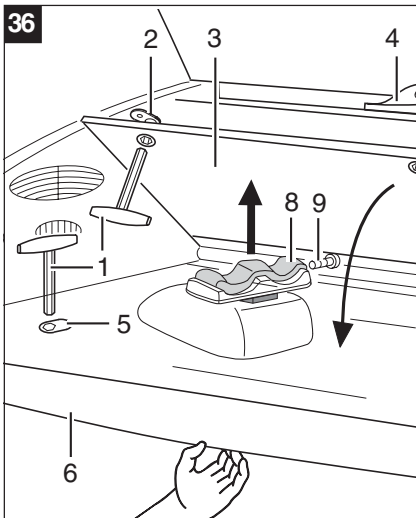
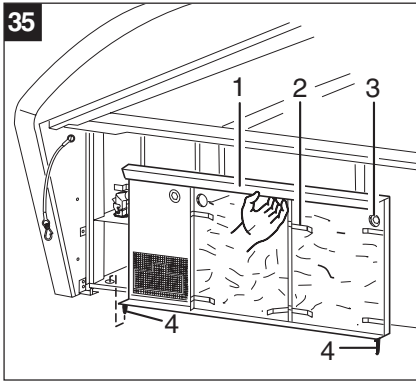
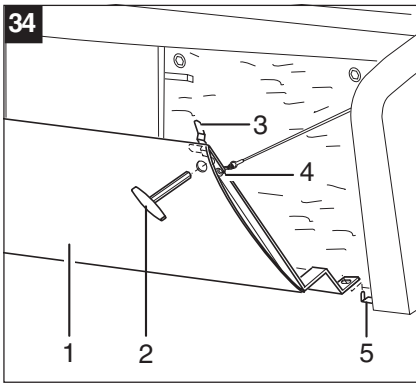
8 DISPOSAL

Lamp

Fluorescent lamps, high pressure lamps and illumination lamps are hazardous waste. Do not dispose of in the domestic waste. The local authorities will inform you where the lamps can be disposed of.

Unit

Dispose of defective equipment according to local regulations.



INFORMATION FOR THE ENGINEER AND DEALER SPECIALIST

9 INSTALLATION OF THE PROFI UNIT

The unit must be installed by dealer personnel or by other authorised persons only. Installation requires two people. The premises where the unit is to be installed must be well ventilated to avoid overheating.

9.1 Place of Installation and State on Delivery

The unit is transported and delivered pre-assembled on a pallet. The unit is fastened to the pallet with holding straps and covered with a protective sheet. The pallet is unloaded on site with a lifting platform or a fork lifter. For the installation at the installation site the unit has to be removed from the pallet and reassembled at the installation site. The equipment may only be used for tanning sessions indoors. The unit must only be used in non-explosive areas and in dry rooms. The rooms must be well ventilated.

9.2 Installation and Assembly

1. Remove the holding straps and the protective wrapping sheet.

DISMANTLING

9.2.1 Dismantling Bed

Dismantling the bed panel / acrylic side tanner panel

Bed panel

1. Push up the canopy and take out the upholstered head rest and diverse component parts.
2. Take the Allen key provided and unscrew the screw (36/9).
3. Lift out the foot rest (36/8).
4. Take the Allen key provided (36/1).
5. Unscrew the bolt (36/5) of the bed panel (36/6) with the key.
6. Repeat for the second bolt.
7. Hold on to the bed panel (37/1) at the front long side and open up the bed panel as far as it will go. The gas pressure spring (37/4) will keep the bed top in the open position.
8. **Release both gas pressure springs at the bottom fixture (37/2) as otherwise the bed panel remains under tension.**
9. Put the bed panel (37/1) on the bed.

Acrylic side tanner panel

1. Open up the interior control panel (36/4).
The control panel snaps into place.
2. Take the Allen key (36/1) and turn the three bolts (36/2) to the left.
Attention! The acrylic panel closes down. Please lay it carefully onto the bed panel.

Releasing unit

1. Turn the bolts (38/3) at the back of the rail (38/4) and push them towards the center of the unit.
2. Take out the complete acrylic side tanner panel unit (38/1), the bed panel (38/8) and the rail (38/4).

Removing CHI machine

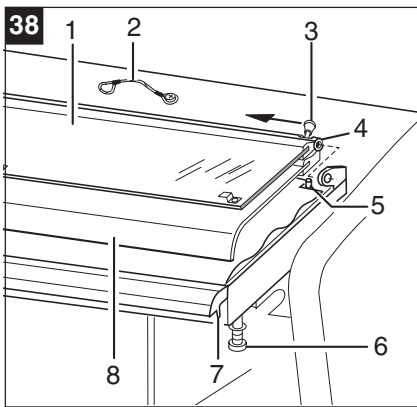
1. Pull the plug (15/9) of the CHI machine out of the socket.
2. Unscrew the four hexagon screws (15/8).
3. Remove the CHI machine (15/10) carefully to the top.
The corrugated acrylic panel now rests on the bed and can be taken out to reduce the overall weight if required.

Removing the large cover in front of the base

1. Take the Allen key (34/2).
2. Screw in the two hexagon socket bolts (34/3) of the large cover (34/1) towards the equipment center using the Allen key (34/2).
3. Open up the cover (34/1) a little to the front.
4. Disconnect both connectors (34/4) from the cover.
5. Lift the cover up over the two location pins (34/5) of the base and place it carefully on the floor.

Remove both filter frames

1. Screw in the bolts (35/3) using the Allen key.
2. Grip the filter frame at the plate (35/1).
3. Lift the filter frame with its pin stops (35/4) out of the holes.



4. Place the filter frame with the pin stops on the floor.
5. Pull out the filter frame to the bottom.
6. Remove the second filter frame in the same way.
7. Carry both filter frames to the installation point.

Pulling out the bed

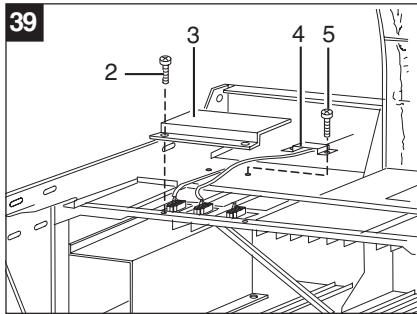


Attention:

The acrylic side tanner panel (38/1) must be unlocked and turned to the bed panel or dismantled as unit before pulling out the bed.

Warning

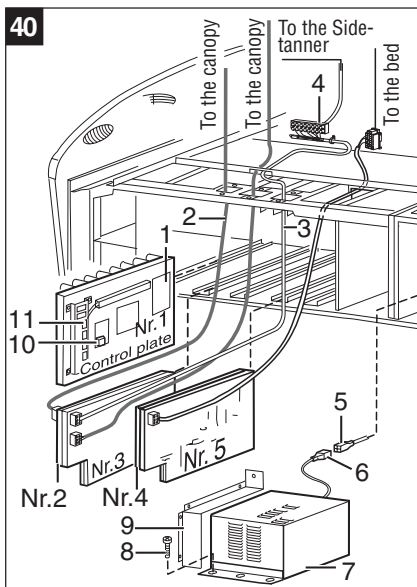
1. Unscrew the two screws 6 x 16 (38/6) at the bottom side of the bed a little bit.
2. Pull out the drawer by the angle bracket (38/7) as far as it will go.
Attention! Do not pull at the illumination lamp (FLOOR LIGHT) by mistake.
3. Detach the holding cord (38/2) on one side of the bed rear side.
Check that the plug-in connection X12 and X13 between the bed and mounting board no. 5 are disconnected.
Disconnect the three cables, which enter the base via the left rear side of the bed and are plugged in on the CHI board (69/5, 69/6) or in the left part of the base compartment (69/4).
4. Pull the bed out further and lift it up together with a second person.
5. Carry the bed to the installation site.



9.2.2 Dismantling the Boards and Air Conditioning Unit

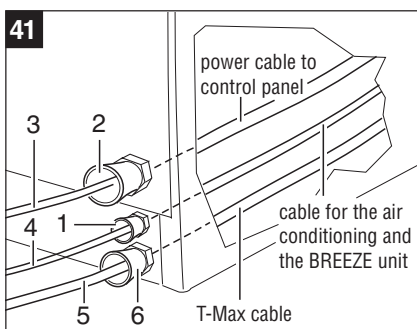
Disconnecting the plug connections

1. Remove the bracket (39/3) and the fixing device (39/4) which holds the cables.
2. Pull the three plugs of the three canopy cables (40/2) (for model CPS four canopy cables) out of the sockets attached to the mounting board.
3. Pull the plug (40/39) of the side tanner out of the socket on the mounting board.
4. Pull the plugs (40/10) out of the sockets (40/11) attached to the control board.
5. Disconnect all other plug-in connections between the unit and the mounting boards (see Table 3, Sec. 9.3.5).



Dismantling the mounting boards and air conditioner

1. Remove the screws (40/8) in the supporting bracket and the cover sheet (40/9) left of the air conditioning unit.
2. Pull the air conditioning unit (40/7) and the supporting bracket out a little bit.
3. Detach the 3-pin connector coupling (40/6) of the air conditioning unit from the connector coupling (40/5) coming from the clamp at the right side of the base.
4. Carry the air conditioning unit to the installation site.
5. Pull the 4 mounting boards (Figure 40, No. 2-5) a little out of the guide rails.
6. Disconnect all plug connections from the mounting boards.
7. Pull out the mounting boards completely and carry them to the installation site.
8. Check if the plug connections on the control board are detached and pull out the control board (40/1).



9.2.3 Dismantling the Air Extraction Unit

Dismantling the air duct (45/5)

1. Unscrew the screws (45/7) of the air extraction duct.
2. Carry the air extraction duct (45/5) with the warm air recovery system (45/12) to the installation site.

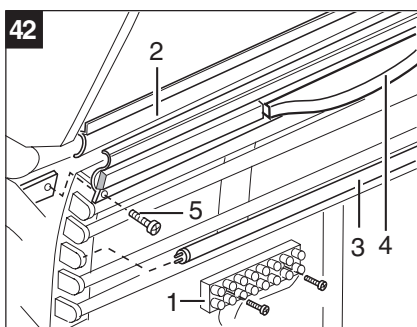
Dismounting the cover plate and guide brackets on the back of the unit

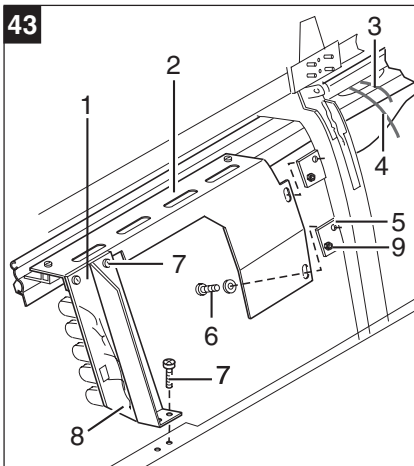
1. Unscrew the screws (45/9) at the cover plate and carry the cover plate (45/10) to the installation site.
2. Dismount the two guide brackets (45/11) for the louvre.
3. Unscrew the six screws (45/8) at the mounting rail of the louvre (45/6) and carry the louvre together with the mounting rail to the installation site.

9.2.4 Dismantling the Side Tanner

Dismantling the side tanner

1. Remove the lamps (42/3) of the side tanner.
2. Remove the terminal (42/1) at the left side of the base back by unscrewing the two screws.

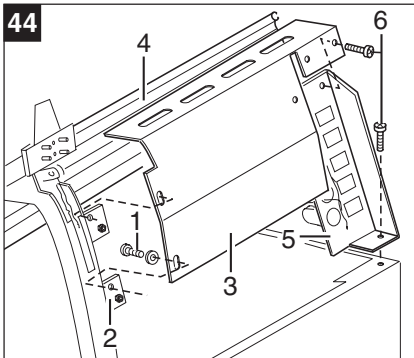




3. Remove the lamp holders (43/1, 44/5) on both sides by unscrewing the screws (43/7, 44/6).
4. Put both lamp holders (43/1, 44/5) with cables inside on the base.
5. Unscrew on both sides the countersunk screw (42/5), which are screwed into the side base covers through the profile rail of the side tanner.
6. From the equipment interior unscrew on both sides the 2 screws 8 x 15 (43/6, 44/1) with the washers which are screwed into the brackets of the mechanism for fastening of the holders (43/2, 44/3). The set screws, however, which are screwed in from the back into these brackets must not be unscrewed. They are necessary for adjusting during mounting.
7. Pull out the profile rail (44/4) with interior control panel and cable (43/3, 43/4) and clamps (43/2, 44/3) from the side parts carefully and carry this unit to the installation site.

Detach bellows

1. Detach the spring clips (45/2) fastened to the bottom part of the bellows.
2. Push the bellows up.



Dismantling the air duct

1. Unscrew the 3 accessible screws (45/3).
2. Take off the air duct (45/4).

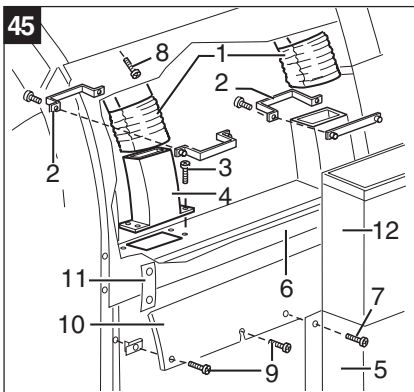
Dismounting the housing parts

All plastic housing parts are fastened to the base with metric screws 6 x 20.

9.2.5 Disassembling Cover Parts

All Plastic casing parts of the base are fastened to the base with metric screws 6x20.

1. Unscrew the 6 screws (44/1) on the base and take off the complete side housing (46/3).
2. For the Audio Comfort Package (optional) pull the loudspeaker cable (46/4) (optional, 46/4) with the side housing to the outside. For the Audio Basic Package (optional) the loudspeaker cable is plugged to the clamps on the cover plate (46/5) and need not be observed during dismantling.
3. Remove the cover (47/3) at the lower end.
4. If necessary grasp through the opening and unscrew the 8 screws (47/2, 47/4) from the base and take off the left hand side housing (47/1) completely.



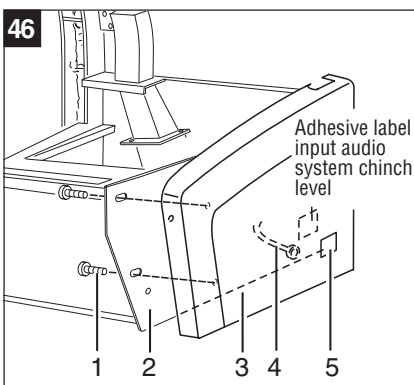
9.2.6 Disassembling the Canopy

Removing the small cover of the canopy

1. Get hold of the recessed grip (48/1) above the small cover and pull the small cover off. The magnetic connection (48/4) detaches.
2. Pull the latches (48/3) of the small cover (48/2) out of the grooves (48/5) in the large cover (48/6).
3. Remove the small cover to the top.
4. Unscrew the screws (48/7).

Opening up the large cover of the canopy

1. Fasten the sucker (49/3) on the cover (49/1).
2. Open up the cover until its longitudinal edge slides out of the front longitudinal rail of the canopy (49/4).
3. Take off the cover.



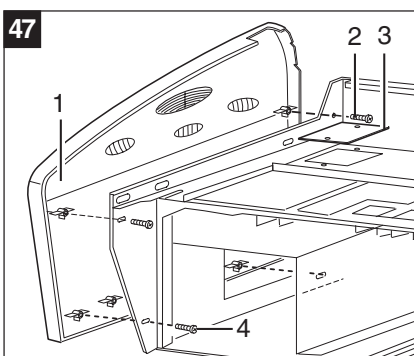
Dismantling acrylic panel of canopy

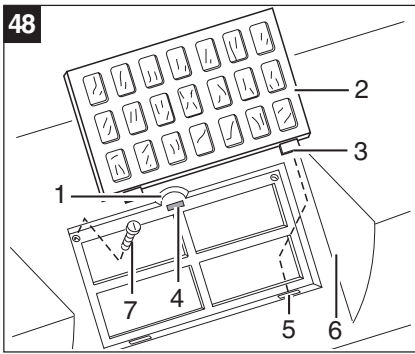
1. Take the Allen key.
2. Turn the three hexagonal bolts (50/2) with the Allen key (50/1).
3. Open up the acrylic panel with its side wall to the front.
4. Lift the acrylic panel out of the longitudinal groove at the back (50/4).

Disconnect the BREEZE lines

The BREEZE unit in the base is connected by a black PA (polyamide) line (51/9) to the pump in the canopy and by a light silicone line (51/4) to the nozzles in the canopy.

1. Press the silver coloured slide of the coupler (51/10).
2. Pull out the plug (51/11).
3. Pull apart the two parts (51/6, 51/7) of the hose connection.





Disconnecting the canopy

Tips on how to unhinge the canopy more easily:

1. Press down the canopy.
2. Push a 7 mm diameter pin (52/8, ID. No. 260 551) through the slot in the mechanism (52/6) on each retaining bracket.



The 2 pins are assembly aids only and must be removed after mounting the canopy.

Function

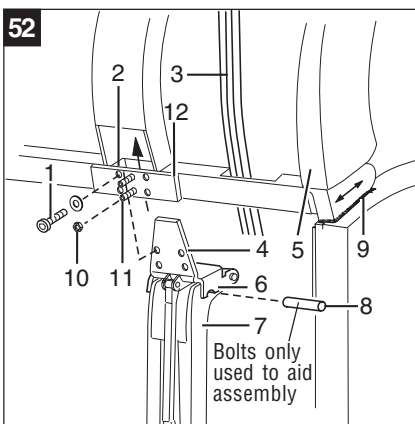
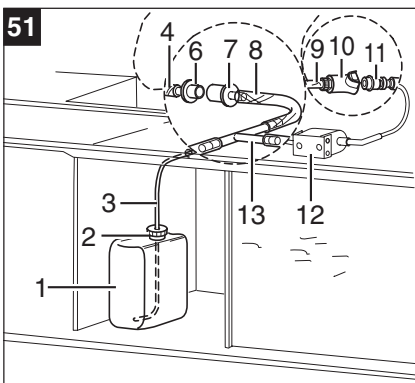
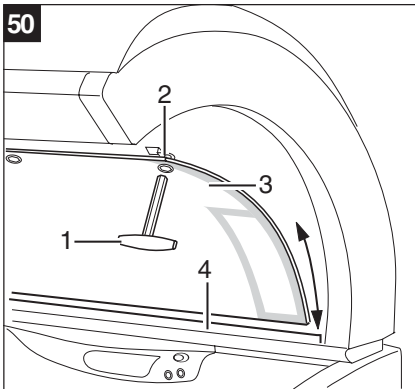
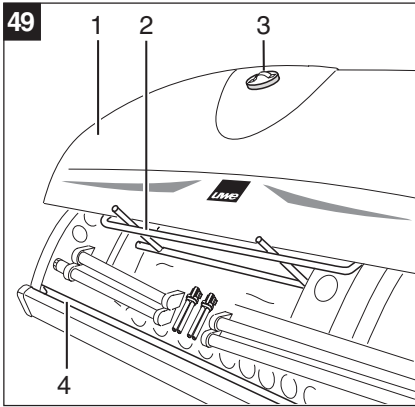
Next steps

3. Take off the nut (52/10) on both sides and screw out the setscrew (52/11) until the coned point does not extrude over the interior side of the bracket (52/12).
4. Unscrew the 8 socket head cap screws 8 x 20 (52/1) and washers.
5. Pull the canopy over the retaining brackets (52/7).
6. Carry the canopy to the installation site.



Attention! The aluminium cover (42/2) must not be damaged when the canopy is put on the floor.

Function



9.2.7 Dismantling the Base Unit

Separating the base sections

The base housing consists of 2 components which are bolted together.

1. Disconnect the plug connection X15 (53/3, 53/4) between the right and left base sections.
2. Remove the 6 screws 6.3 x 16 (53/8) with their lock washer (53/9).
3. Carry the 2 base sections to the installation site.

Dismounting the retaining brackets

(If required by the building)

1. Remove the bolts (53/5, 53/7) used to fix the retaining brackets at the side and back.
2. Remove the retaining brackets by lifting upwards.

MOUNTING

9.2.8 Assembling the Air Extraction Duct

Installing the air extraction duct

1. Mount the air extraction duct (45/5) with the warm air recovery system (45/12) at the center of the tanning cabin rear side.
2. Mount the special exhaust channel (76/1).

9.2.9 Assembling the base

Mounting the base

1. Arrange the two base sections in the tanning cabin as shown in Fig. 53.
2. Connect the base sections with the 6 screws 6.3 x 16 (53/8) and lock washers (53/9).
3. Disconnect the plug connection X15 (53/3, 53/4) between the right and left base component.
4. Insert the nozzle (53/11) of the warm air recovery system cable into the opening of the cover plate (53/10) and mount the cover plate at the base.
5. Pull the cable (53/12) with the 9-pin plug X18 through the square opening to the front into the interior of the base.

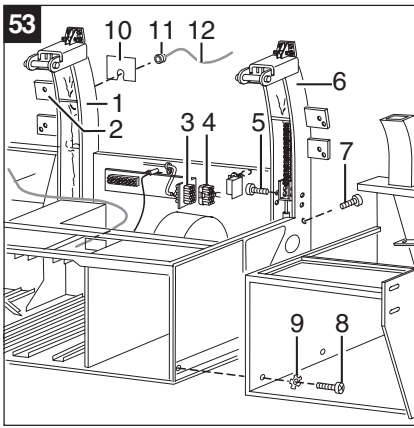
Mounting the retaining brackets (if dismantled before)

1. Take the retaining brackets (53/1, 53/6) and insert them from above into the appropriate slots in the base.
The bracket supports (53/2) for the side tanner show to the outside.
2. Fasten the retaining brackets with 3 screws M 10 x 16 (53/7) each from the back and with four screws M 10 x 10 (53/5) each from the side.



You must screw in the short screws from the side so that movement of the mechanism is not impaired.

Warning



9.3 Assembling the Cover Parts

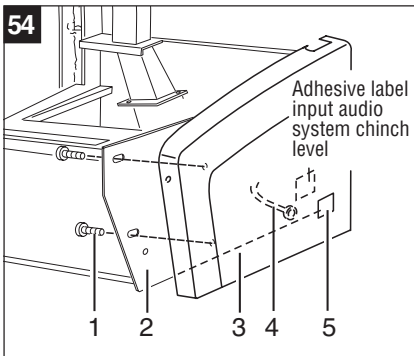


All plastic cover parts around the base are fixed to the base using metric screws 6 x 20.

Insert the screws vertically and screw them in vertically.

Function

1. For the Audio Comfort Package (optional) pull the 5-pin white loudspeaker cable (54/4) through the opening in the right base wall into the interior and pull the plug through to the control board.
For the Audio Basic Package (optional) the loudspeaker cable is plugged to the cover plate (46/5) and need not be observed during mounting.
2. Position the head side section (54/3) flush with the base and screw in the six screws from inside the base (54/1).
3. Place the foot side section (55/1) flush with the base and screw in the eight screws (55/4) from inside the base or through the opening in the cover (55/3).
4. Mount the cover plate (55/3).

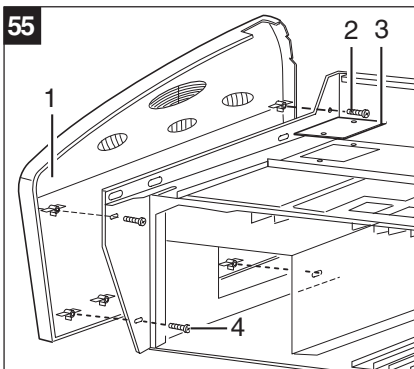


9.3.1 Assembling the Mounting boards and Air Conditioning unit

Inserting the boards

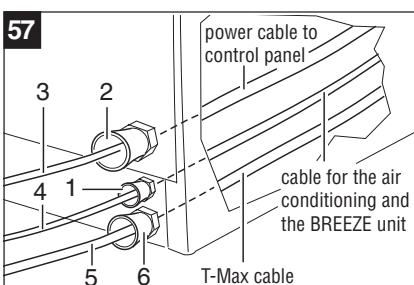
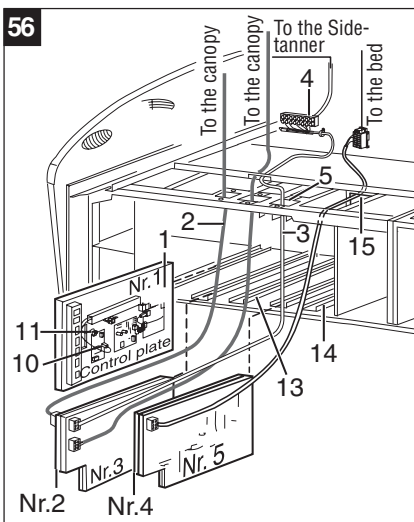
The control board (56/1) has components on both sides.

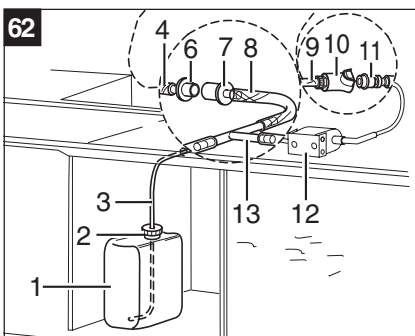
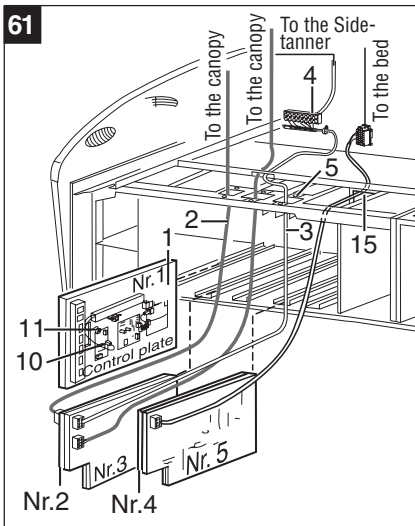
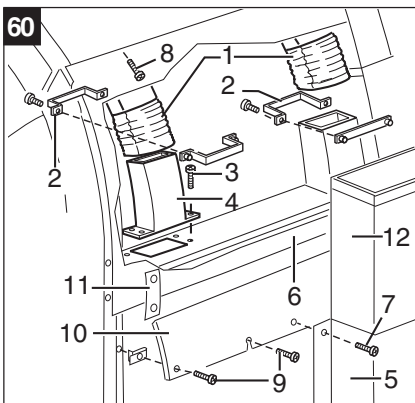
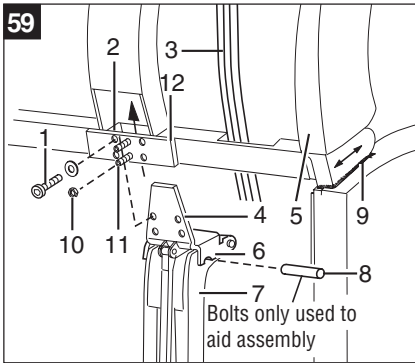
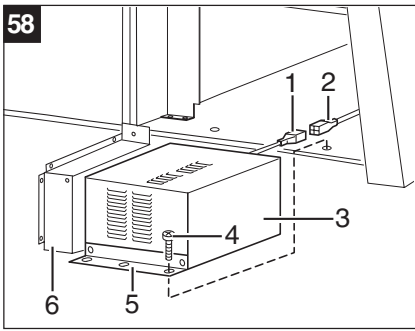
1. Insert the control board into the left-hand guide rail. The capacitors show to the left.
2. Pull the power cable (57/3) through the large pressure screw (57/2) to the control board at the inside. The unit is not delivered with a power cable. The power cable must be provided by a licensed electrician.
The equipment must be connected up by a qualified electrician in accordance with the valid DIN-VDE and UVV regulations or the adequate national norm (see Sec. 9.5).
3. Tighten the clip of the pressure screw (57/2).
4. Feed the mains cable (57/4) for the air conditioning unit and the BREEZE unit through the pressure screw (57/1) on the right back side of the base inside to the control board and connect it according the wiring diagram.
5. By using an external coin box, check if the T-Max cable (57/5) is threaded through the small pressure screw (57/6), that the clamp of the pressure screw is tightened and that the plug of the T-Max cable is plugged in the socket of the control board.
6. Insert the boards numbered 2-5 into the appropriate guide rails (Figure 56) according to the numbering from left to right.
The slots of the boards 2-5 always point to the front and downwards.
The guide rail (54/13) in the center and the guide rail at the right (54/14) remain empty.



Inserting the air conditioning unit

1. Connect the 3-pin connector coupling (58/1) of the air conditioning unit (58/3) to the connector (58/2) leading from the clip at the right side of the base.
2. Push the air conditioning unit all the way back into the recess until it touches the rubber seal of the black cover.
3. Align the air conditioning unit with the cover sheet (58/6) and the mounting bracket (58/5).





9.3.2 Assembly of Canopy

Fitting the canopy

1. Lift up the canopy.
2. Hold the canopy above the retaining brackets (59/7).
3. Insert the lugs (59/4) of the retaining brackets into the holes (59/2) in the canopy.



Take care not to damage the aluminium rail (66/2) when fitting!

Function

4. Screw in the four screws 8 x 20 (59/1) with washers on each side.



Make sure the screws are securely tightened.

Warning

5. Check the alignment of the canopy in relation to the side sections of the base. The black brush seal (59/9) of the base side covers must just make contact with the housing of the canopy (on both sides).
If this is not the case please readjust the canopy on the appropriate side.
6. To do this, loosen the screws (59/1) a little.
7. Take an Allen key for socket head screws. Screw in both setscrews M 8 x 25 (59/11) to move the canopy towards the back of the unit. Unscrew both setscrews M 8 x 25 (59/11) to move the canopy towards the front of the unit.
8. Fasten the hexagon nuts M 8 (59/10) on the setscrews (59/11).
9. Tighten the four fixing screws (59/1).



Make sure the screws are securely tightened.

Warning

If you followed the mounting instructions above:

1. Press down the canopy.



Remove the 2 bolts (59/8) which you pushed through the holes in each of the retaining brackets.

Function

Further procedure

Fitting the air duct

1. Fit the air duct (60/4).
2. Screw in the 3 accessible screws (60/3).

Fitting the bellows

1. Pull the bellows (60/1) down to the bottom.
2. Fasten the bellows to the air ducts with the appropriate spring clips (60/2).

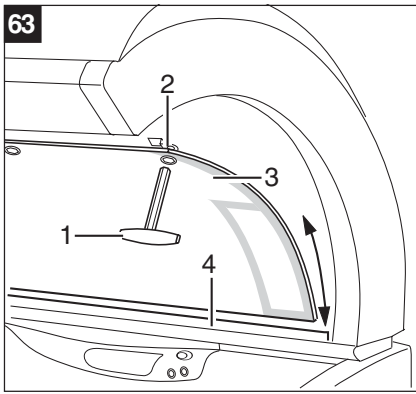
Pulling the cables through

1. Pull the three canopy cables (59/3) - POWER OF CHI CPS unit has 4 canopy cables - to the bottom through the holes (61/5) in the base to the appropriately marked sockets on the mounting boards.
2. Connect the plugs to the sockets.

BREEZE

The BREEZE unit in the base is connected by a black PA (polyamide) line (62/9) to the pump in the canopy and by a light silicone line (62/4) to the nozzle in the canopy.

1. Connect the coupler (62/10) to the plug (62/11). Coupler Coupler and plug must snap together with a click.
2. Connect up the plug connection (62/6, 62/7) of the light silicone line.
3. Place the canister (61/1) into the space in the base.
4. Unscrew the closed cap from the full canister and screw on the cap with the hole and nozzle (62/2).
5. Insert the tube (62/3) into the nozzle and push it down until it touches the ground of the canister.

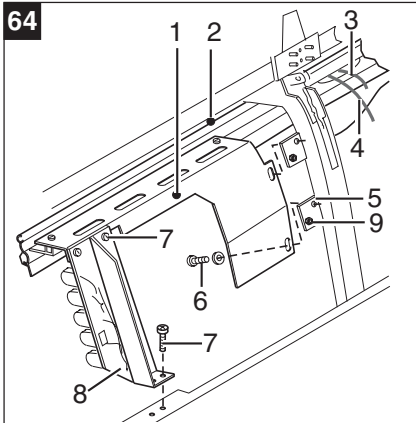


Mounting the acrylic panel

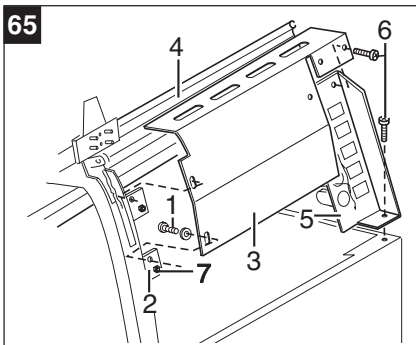
1. Position the acrylic panel in the longitudinal slot (63/4) as shown by the printing. XTT Unit: The polished GB area of the acrylic panel lies above the high pressure lamp compartments.
2. Swing the acrylic panel (63/3) towards the canopy until it fits closely.
3. Turn the three hexagonal bolts (63/2) with the Allen key (63/1) so that the acrylic panel is secured firmly in place.

9.3.3 Assembling the Side Tanner

Mounting the side tanner

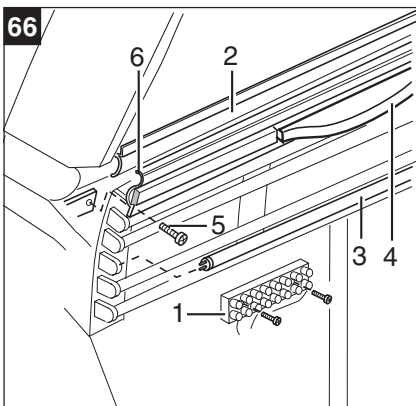


1. Lift the unit profile rail (64/2) and interior control board with cable (64/3, 64/4) and sockets (64/1, 65/3) together with a second person and align the two straight-through holes of the sockets with the holes in both brackets of the mechanism.
2. Screw in the four screws 8 x 15 (64/6, 65/1) with washers (thick washers) from the inside.
Make sure the screws are securely tightened.
3. Attach the two socket holders (64/8, 65/5) with cable harness with the screws (64/7, 65/6).
4. Mount the terminal strip (66/1) in the holes provided in the base at the back left side.
5. Screw in one screw each (66/5) on each side through the profile rail of the side tanner into the side housing components of the base.
6. Pull the cable with plug X 8 from the terminal (66/1) further to the front through the corresponding recess in the base to the appropriate mounting board.
7. Connect plug X8 to socket X8.
8. Pull the cable (64/3) with the square plug of the interior control panel through the round opening in the base and connect it (69/9) to the main board of the control panel.
9. Pull the cable for the headphone socket of the interior control panel through the round opening in the base to the amplifier on the control panel (comfort package).
10. Adjust the side tanner so that the light seal (66/6) of the profile rail of the side tanner just makes contact with the aluminium cover of the canopy (seals) and the two are parallel to each other.
11. For this purpose release the screws (64/6, 65/1) a bit and adjust the setscrews (64/9, 65/7) appropriately.

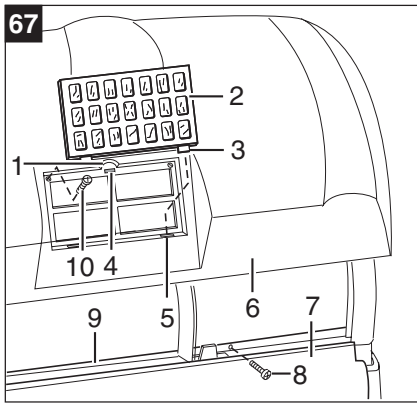


After adjustment, the screws (64/6, 65/1) must be retightened.

Warning



12. Open up the interior control panel and mount the lamps.
13. Fasten the bracket (69/2) above the canopy cables.
14. Fasten the bracket (69/1) above the plug connections.



9.3.4 Assembling the Covers in the Canopy, Louvre and Air Extraction Flue

Fitting the louvre

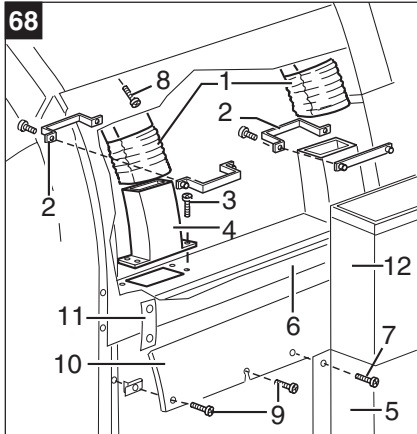
1. Fasten the louvre (67/7) to its mounting rail (67/9) on the canopy frame with six screws (67/8) from the back.

Fastening the cover plate

1. Fasten the cover plate (68/10) with six screws (68/9) to the side housing parts and to the bottom of the base.
2. Fasten the two guide brackets (66/11) for the louvre with the screws.

Fastening the air extraction flue (68/5)

1. Fasten the air extraction duct (68/5) with the warm air recovery system (68/12) with the screws (68/7).



Mounting the large cover of the canopy

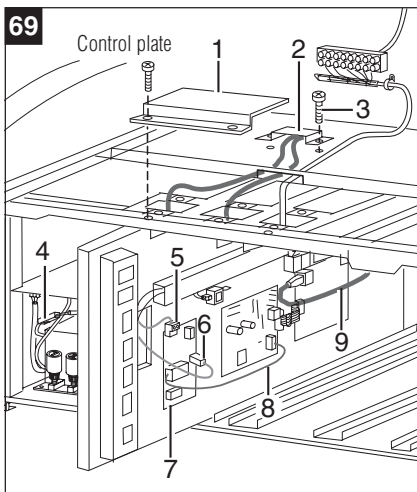
1. Stand in front of the unit and press down the canopy.
2. Insert the cover (67/6) with the bottom slots into the longitudinal groove of the mounting rail (67/9).
3. Push the cover to the back and insert its front longitudinal edge into the front longitudinal rail of the canopy.
4. Put the cover on the canopy.
5. Screw in the screws (67/10).

Fitting the small cover of the canopy

1. Pull the latches (67/3) of the small cover out of the grooves (67/5) in the large cover (67/6).

2. Tilt the small cover against the large cover.

The magnetic connection (67/4) tightens.



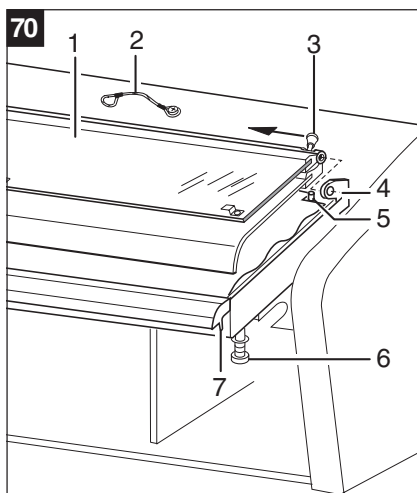
9.3.5 Connecting the Plug Connections

1. Connect all plug connections except the connection X12 and X13 (bed – mounting board – bed) and the three plug connections leading from the 9-pin socket (73/4) on the left of the bed through the bed to the CHI board (69/7).
2. Take the plug connections from the following tables.
3. Pull the plug connections along the front slots of the mounting boards when connecting the plug connections.

POWER OF CHI XTT	Control panel No.1	Mounting board No.2	Mounting board No.3	Mounting board No.4	Mounting board No.5	Base housing	Warm air recovering unit
Canopy		X7, 18-pin	X9, 18-pin	X10, 18-pin			
Side tanner			X8, 18-pin				
Bed					X12, 18-pin X13, 18-pin		
Control panel Left rail		X2, 18-pin	X3, 18-pin	X4, 18-pin	X5, 18-pin	Centerback X1, 18-pin	X18, 9 pin
Base housing Left above small fan	X6, 18-pin						
Base housing Rear Center						Rear Center X15	
AROMA MODULE Terminal	X20, 9-pin						
AROMA MODULE						Left X19, 3-pin	

Further plug connections

POWER OF CHI CPS	9-pin socket (73/4) on left Square bed side (CHI machine)	Control panel Square board SOL ADD ON	Control panel Square SOL BASIS
Board CHI machine	2-core white cable light plug (69/6) 2-core white cable green plug (69/5)		5-core white cable (69/8)
Left base housing	Black cable white plug (69/4)		
Interior control panel		multi-core grey cable (69/9)	
Interior control panel Headphones socket Comfort			
Interior control panel Headphones socket Basic			
Loudspeaker Comfort			
Loudspeaker Basic			



9.3.6 Assembling the Bed

Pushing in the bed

1. Rest the bed with its rear third on the base.



Attention:

Do not jam the two cables X12 and X13 of the bed. They must drop into the base.



Warning Do not trap the three cables leading from the 9-pin socket (73/4) to the left rear bed side. They must drop into the base.

2. Pull the cable of the bed to the front through the square opening (61/15) to the mounting board no. 5.
3. Pull the three cables leading from the left rear bed side through the square opening on the left side of the control panel to the front.
4. Push in the whole bed by the front edge (70/7) a little as if you were pushing in a drawer.

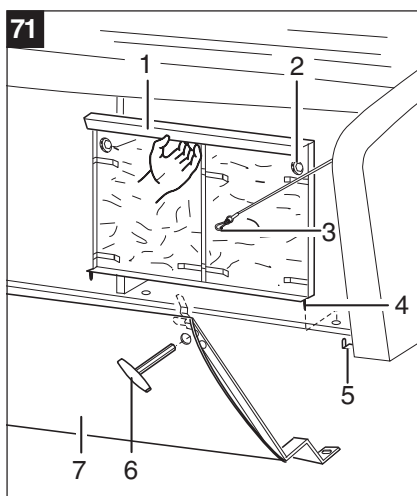


Attention! Do not pull at the illumination lamp (FLOORLIGHT) by mistake.

Warning Push the bed in carefully. Do not damage the ventilation grid and the front sections at the foot of the bed.

5. Fasten the holding cord at the bed rear side (70/2).
6. Connect the bed cables with plug X12 and X13 to the appropriate sockets of mounting board no. 5.
7. Connect the black cable (69/4) with white plug of the 9-pin socket with its counter piece on the left side of the base.
8. Plug the two other cables (69/5, 69/6) of the 9-pin bed socket into the CHI board.
9. Push the bed back as far as it will go.
10. Tighten one screw 6 x 16 (70/6) each in the groove.
11. Check that all mounting boards are pushed back and that all plug connections are connected.

Ensure that the cables of the base and the plug connections are not on the ballasts. The ballasts are getting hot.

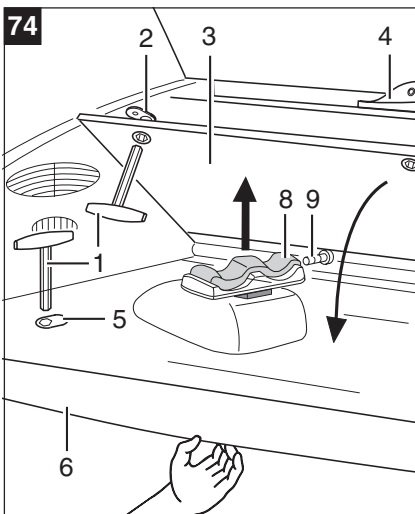
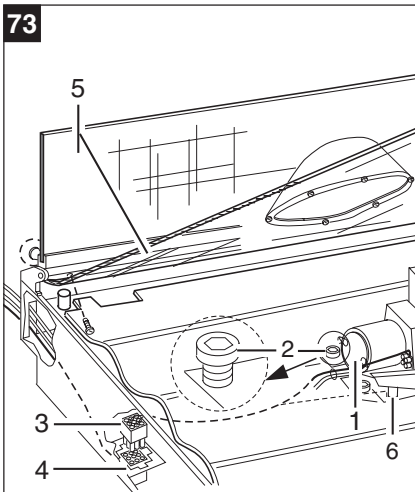
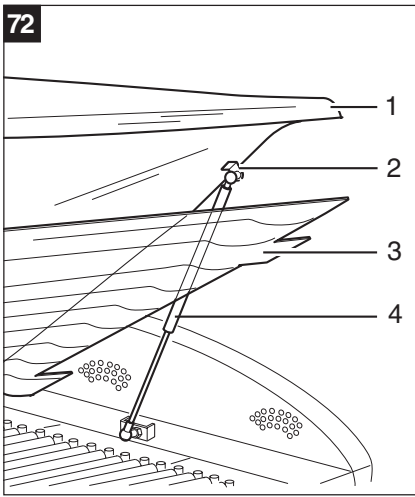


Mounting the filter frame

1. Grip the filter frame by the handle (71/1).
2. Push the handle under the front edge of the bed panel.
3. Insert the filter frame with its locating pins (71/4) in the holes of the base.
4. Swing the filter frame with the handle towards the base.
5. Unscrew the hexagonal bolts (71/2).
6. Mount the second slightly larger filter frame at the left of the base in the same way.

Mounting the large cover in front of the base

1. Insert the cover (71/7) with the bottom slots into the location pins (71/5) of the base.
2. Tilt the cover upwards a little.
3. Attach both connectors (71/3) to the cover.
4. Swing the cover at the bottom towards the base until it fits closely.
5. Screw in the two hexagon socket bolts using the Allen key (71/6) towards the sides of the base.



Fitting the bed panel

Mounting the acrylic panels

1. Place the corrugated acrylic panel top onto the bed so that the slots are in line with the set screws (70/5).
2. Put the CHI machine (73/1) on its mounting place by using the two set screws (73/6).
3. Screw the four hexagon socket screws (73/2) into the adjusting bolts.
4. Insert the plug (73/3) of the CHI machine into the socket (73/3).
5. Take the complete unit (bed panel, acrylic side tanner panel and the rail) and place them carefully on the corrugated acrylic panel.

Handle with care! Do not scratch the sides of the panels!

6. Insert the bolt pins (70/3) into the bed frame holes (70/4) of the bed frame.
7. Secure the pins by pushing the bolts (70/3) towards the front part and screw them tight.
8. Tilt the bed panel (72/1) upwards on both sides and fasten the gas pressure springs to the bed panel at the top fixing points (72/2) on both sides.
9. Hold on to the bed panel at the front long side (74/6) and put it onto the bed.
10. Turn both bolts (74/9) with the Allen key until the bed plate is secured firmly in place.
11. Attach the footrest (74/8) to the holder of the CHI Machine.
12. Screw the screw (74/9) into the foot rest.

Fitting the acrylic side tanner panel

1. Lift up the interior control panel (74/4).
- The control panel snaps into place.**
2. Tilt the acrylic panel (74/3) towards the side tanner until it touches.
3. Turn the three bolts (74/2) to the right using the Allen key (74/1).
4. Swing the control panel (74/4) down.
- The control panel snaps into place.**

9.4 Connecting the Exhaust



Warning

Attention! Important Information!

Only feed the heated cooling air through a direct outlet (76/1, central exhaust) from the exhaust air channel of the unit (picture 76).

Therefore it is essential to connect the air extraction duct to the exhaust air channel of the unit with which you can feed out the exhaust air.

Warning! Important Information! Please Read, Danger of Overheating!

If the exhaust air is discharged to the atmosphere via ventilation shaft, ensure minimum flow resistance inside the shaft. Fit a booster fan if required. In this case please consult an air-conditioning / ventilation engineer.

The discharge airflow is approx. 2500 cfm/hour. The same amount of fresh air must be aspirated into the cabin of the unit. You must therefore install fresh air vents in the cabin wall with an open cross section of at least 2500 cm².

9.4.1 Information to air extraction unit

• Exhaust channel (picture 76)

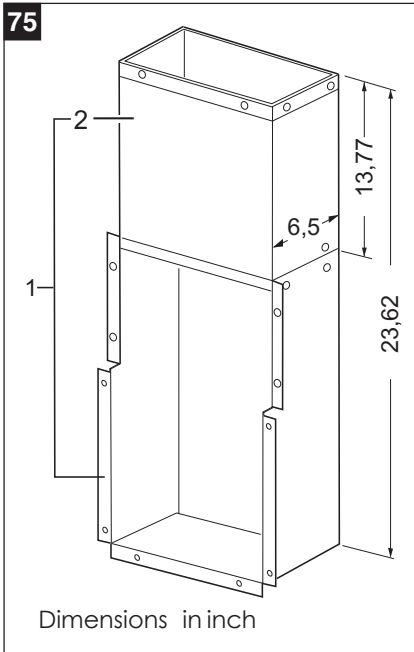
The air must be taken directly from the exhaust duct of the unit by a special exhaust channel (76/1). Dimensions see picture 75 and 76.

• Warm air recovery system (76/2)

A thermostat (76/3) is supplied with the warm air recovery system for wall mounting. The thermostat is set to the desired room temperature.

Temperature Scales:

°C	F°
5	41
10	50
15	59
20	68
25	77
30	86



9.5 Electrical Connection



Warning

Attention:

The equipment must be connected up by a qualified electrician in accordance with the valid DIN-VDE and UVV regulations. The person setting up the unit must test it and produce a report in accordance with DIN VDE 0701 or another adequate national norm. Maximum supply impedance must not exceed a value of $(0,33 + j0,207) \text{ Ohm}$.

The unit is not delivered with a power cable for connection. The three-phase current cable (57/3) must be installed by a licensed electrician.

The relevant wiring diagram is supplied with every unit.

1. Install a contact breaker device in the electricity supply which allows the unit to be completely disconnected from the mains by a gap of at least 3 mm at each pin.

The air conditioning unit and the BREEZE unit must be connected with a separate mains cable $3 \times 1,5 \text{ mm}^2$ to the mains power 110 V/ 60 Hz. This mains cable must be provided by a licensed electrician.

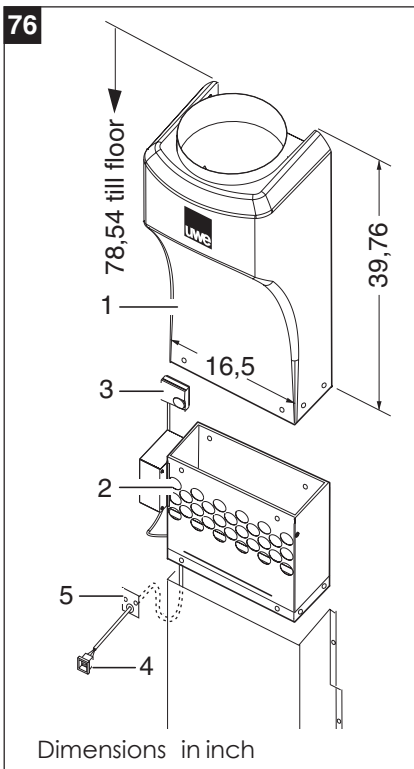
Feed this mains cable (57/4) through the pressure screw (57/1) on the right back side of the base inside to the control board and connect it according to the wiring diagram.



Warning

Attention! If you unplug the unit only from the mains power supply, the air conditioning unit and the BREEZE unit are still under electric voltage.

Ensure that the cables of the base and the plug connections are not on the ballasts. The ballasts are getting hot.



9.6 Coin Meter or Central Control

The unit must be installed by a qualified electrician in accordance with the valid DIN-VDE 100 specifications or corresponding local standard.

Mounting the coin operated timer (Fig. 77)

1. Open the unit.
2. Disconnect the cable connection between the door and the housing.
3. Remove main door and coin box.
4. Push out the openings you need for the cables in the housing.
5. Screw the cable fittings provided into the openings.
6. Fix the unit to the wall with 3 dowel screws.



Warning

The device must be mounted vertically on a solid wall free of vibrations.

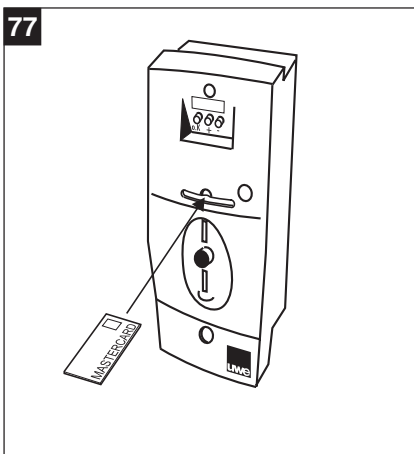
7. Pull the mains cable and control wires through the cable fittings.
8. Connect the wires to the labelled contacts.



Warning

Ensure that the coin meter can be disconnected from the mains (contact gap 3 mm) and that it is properly earthed.

9. Connect the cable connectors to the power supply, the main board and the earth.
10. Remount the main door and the coin box.
11. Close the unit.



Information on operating and setting the unit is given in the operating instructions of the coin operated timer.

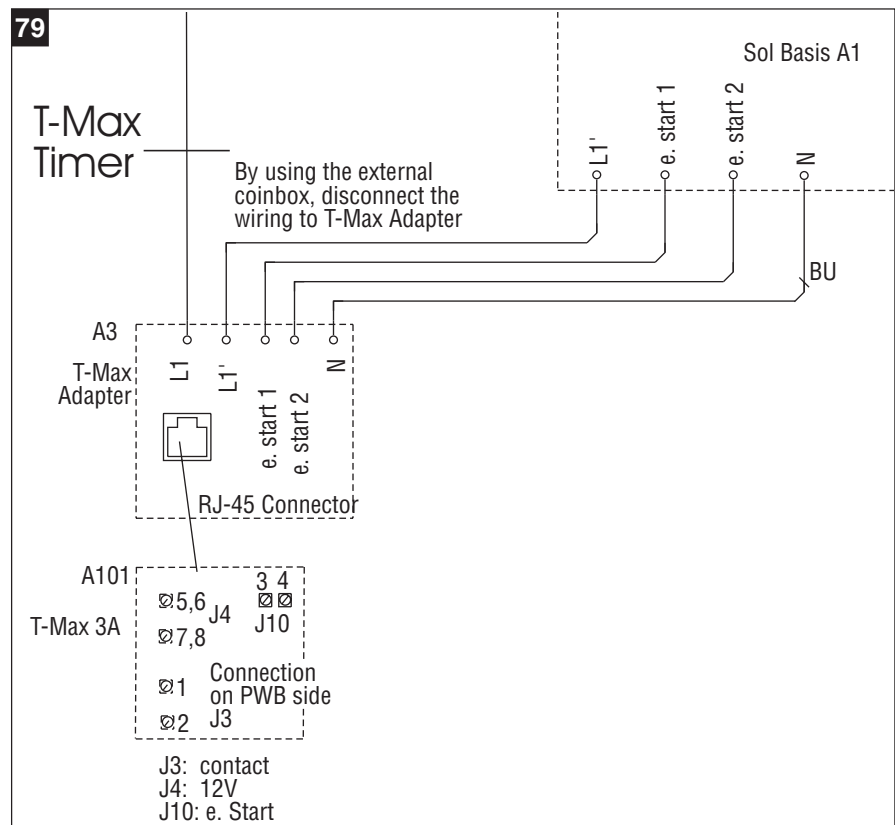
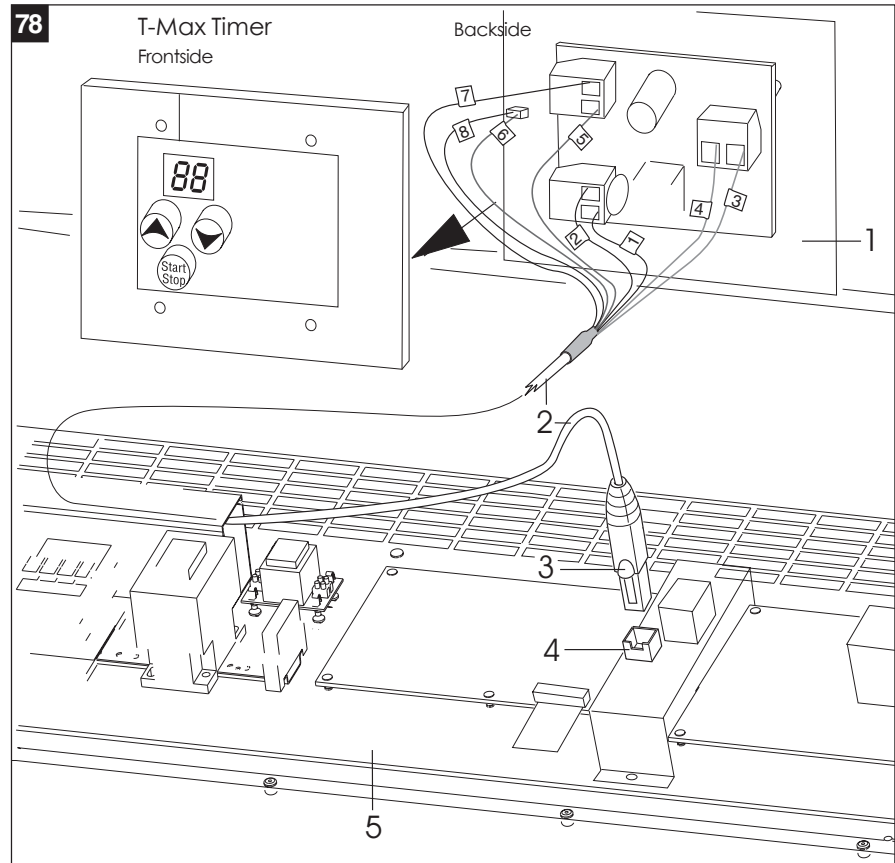
Please note that for safety reasons the maximum tanning time for the POWER OF CHI XTT USA unit is limited to 12 minutes.

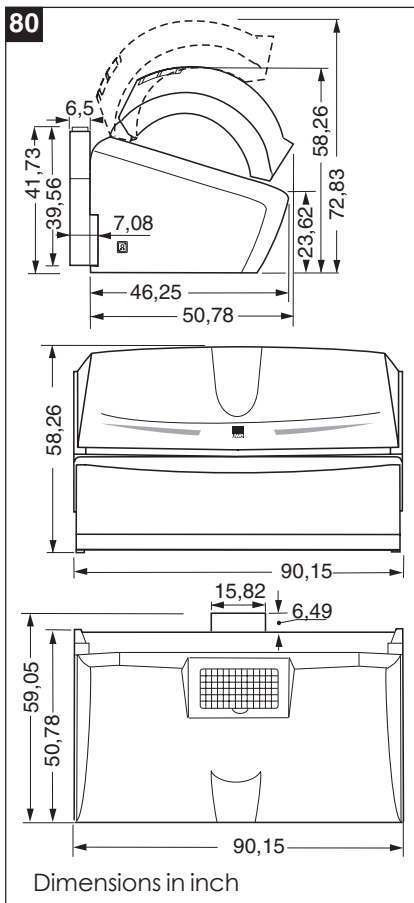
9.7 T-Max Timer

The T-Max cable (78/2, 10 metres long) is supplied with every unit. Plug the plug (78/3) of the T-Max cable into the T-Max-Adapter (78/4) of the control board. Feed the cable through the pressure screw (57/6) of the base outside and connect the cable at the T-Max Timer (78/1). Remove the connections of the table in picture 79.

The wiring diagram of the T-Max Timer see picture 79.

Information about assembling and other important facts draw from the T-Max guide, which is supplied every T-Max Timer.





Dimensions in inch

10 TECHNICAL SPECIFICATIONS

10.1 Technical Specifications and Dimensions*

		POWER OF CHI XTT USA
Unit type		7019/148 HD XTT USA
Power (incl. air condition	[kW]	12,9 kW
Operating voltage	[V]	3/2~60 Hz 220 V
Fuse protection	[A]	60/80 A
Weight	[kg]	approx. 800 kg
Dimension		
Length	[inch]	90,15
Depth	[inch]	59,05
Height canopy open	[inch]	72,83
Height canopy closed	[inch]	58,26
Recommended minimum sizecubicle L x D	[inch]	98,42 x 94,48
Noise emission ≤ 70 dB (A)		
Ambient temperature for operation max. 95°F (35°C) The installation site must have a loading capacity of at least 500 kg/m ² and must be flat.		

*We reserve the right to make technical changes.

	Skin type II	Skin type III	Skin type IV
Maximum number of tanning sessions per year	60 (\triangleq 15 kJ/m ²)	43 (\triangleq 15 kJ/m ²)	33 (\triangleq 15 kJ/m ²)

Unit	POWER OF CHI XTT USA Lamp unit
Canopy, face	3 x 1 kW BQ 1176 Z4
Canopy, body	17 x COSMOLUX VHR 160 W 5 x COSMOLUX VHR 200 180 W
Canopy background lighting	1 x TLD 18 W / 18 blue
Canopy uwe Logo illumination	2 x PL-S 7 W
Canopy lighting effect lighting	4 x L 30 W / 21-840 Plus
Side tanner	5 x COSMOLUX VHR 200 180 W
Bed	20 x COSMOLUX VHR 160 W
Bed lighting (FLOORLIGHT)	1 x TL-D 36 W / 18 blue

10.2 Lamp Covers (Filter Disks)

The UV light sources in the canopy and side tanner are covered by 2.5 mm acrylic panels and in the bed with two 4 mm (corrugated) and 5 mm acrylic panels. The acrylic panels are frosted on the lamp side (LIGHT GLASS) except for the corrugated acrylic panel in the bed and the GB area of the canopy panel.

The high pressure lamps of the POWER OF CHI XTT unit are covered by the following filter disks:

High pressure lamps (3 lamps): one filter disk of 324 interference each on the user side (Product No. 02936) and one transparent filter disk 316 each on the lamp side (Product No. 02932).

The high pressure lamps are protected by a polished panel of 2.5 mm acrylic. Between the lamps and frame of the canopy and bed respectively, there is a reflector made of shiny rolled, electroplated, anodised aluminium.

11 CUSTOMER SERVICE ADDRESS

PC MARKETING
1040 WILT AVENUE
RIDGEFIELD, NJ 07657

1-800-FAST TAN

PC MARKETING
1040 WILT AVENUE
RIDGEFIELD, NJ 07657

1-800-FASTTAN



MARKETING

ID-NR-266615 / 11/2004