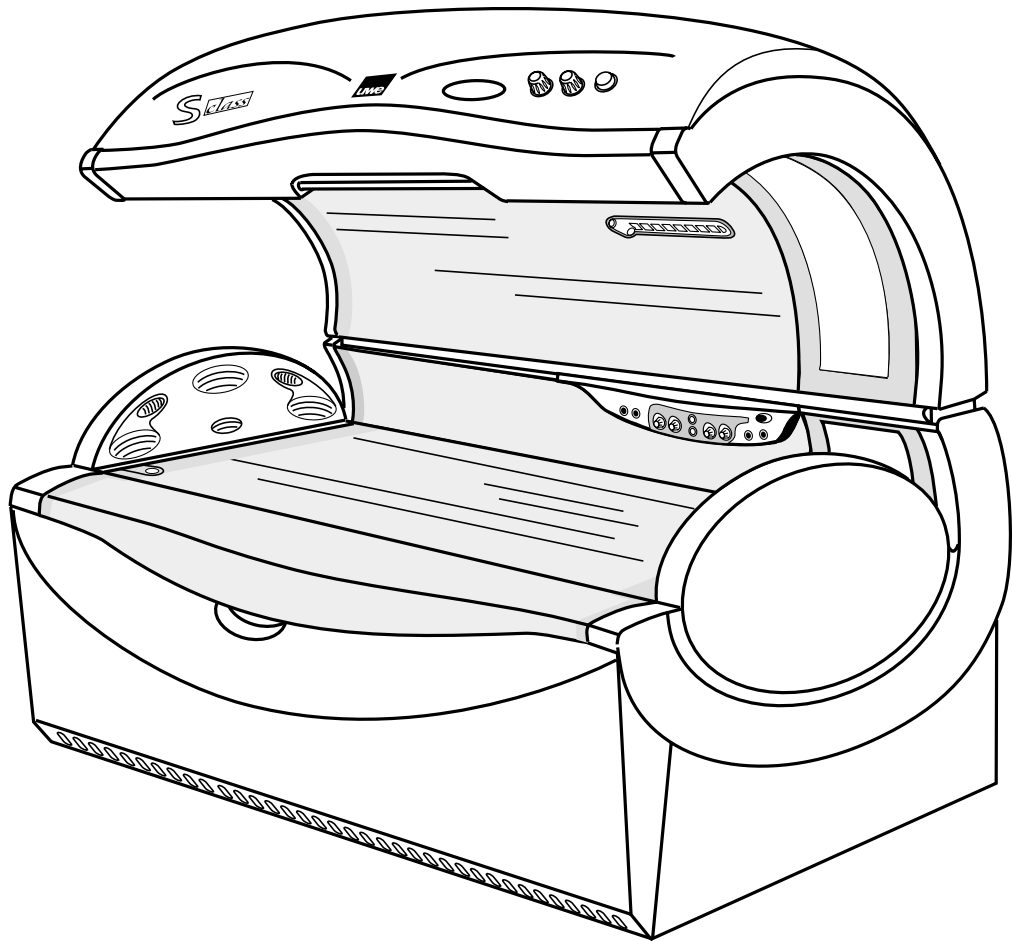


INDOOR TANNING EQUIPMENT CARE, USE AND INSTALLATION INSTRUCTIONS



Model:
S-CLASS

PC MARKETING
1040 WILT AVENUE
RIDGEFIELD, NJ 07657



1-800-FAST TAN

Foreword

Your unit is built according to state-of-the-art technology and is safe to operate. The unit can be dangerous, however, if used by persons who have not been trained or shown how to use the unit, or if it is not used for the intended purpose. Therefore, these operating instructions and in particular the notes on safety must be read and understood by everyone involved with setting up, initial operation, operating, servicing and repairing the unit. It is absolutely necessary that you and your staff be instructed by a specialist before using the unit for the first time. In the unlikely event of a technical fault please contact our Customer Services or your dealer.

CONTENTS		PAGE
1	NOTES ON SAFETY	4-6
1.1	Before Initial Operation	4
1.2	Using the Unit for the First Time	4
1.3	Safety Warning	4-5
1.4	Operation	5
1.5	Product Liability	6
1.6	Emergency Procedure	6
1.7	Explanation of Danger Symbols	6
1.8	Position of the User	6
 INFORMATION FOR THE SALON PERSONNEL		
2	OPERATION	6-9
2.1	Equipment - New and Proven	6-7
2.2	Starting	7
2.3	On the Bed	8
2.3.1	Interior Operating Panel	8-9
2.4	Cleaning the Acrylic Panel	9
 INFORMATION FOR THE OPERATOR		
3	INITIAL OPERATION	9
3.1	Important information! PLEASE READ!	9
3.2	Before Initial Operation	9
3.3	Using the Unit for the First Time	9
4	CLEANING - IMPORTANT INFORMATION FOR THE OPERATOR	10
5	KNOW HOW FOR THE OPERATOR	10-14
5.1	Service Module (operating hours)	10
5.1.1	Operating the Service Module	11
5.1.2	Subprograms of the Service Module	11-12
5.1.3	Overview of Possible Settings	12
5.2	Weekly Timer for Controlling the Standby Light	12-13
5.3	Sound System	13
5.4	Order of the AROMA Sequence	14

6	SERVICING AND MAINTENANCE	14-25
6.1	Exchanging the Acrylic Panel	15
6.1.1	Acrylic Panel of Bed	15
6.1.2	Acrylic Panel of Side Tanner	15
6.1.3	Acrylic Panel of Canopy	16
6.2	Servicing the High-Pressure Lamps	16
6.2.1	Exchanging the High-Pressure Lamp in the Side Tanner	16-18
6.2.2	Exchanging the High-Pressure Lamp in the Canopy	18-19
6.2.3	Exchanging the High-Pressure Lamp in the Shoulder Tanner	19-20
6.3	Exchanging the Lamps	20
6.3.1	Exchanging the Long Sunlamp	21
6.3.2	Exchanging the U-P-P Lamp (CPS unit only)	21
6.3.3	Exchanging the Illumination Lamps	21-22
6.3.4	Canopy Effect Light	22
6.3.5	Logo Lighting	22
6.3.6	Illuminated uwe Logo in the Center of the Canopy	22-23
6.4	Shoulder Tanner Version U-P-P (CPS unit only)	23
6.5	Exchanging the Filter Mats	23
6.5.1	Filter mats in the Base Casing	23-24
6.5.2	Filter Mats in the Canopy	24
6.6	Stay in the Retaining Brackets	24
6.7	Exchanging the AROMA Containers	24-25
6.8	Exchanging the BREEZE Module	25
7	TIPS FOR RECTIFYING SMALLER FAULTS	26
8	DISPOSAL	26

INFORMATION FOR THE ENGINEER AND uwe SPECIALIST

9	INSTALLATION OF THE PROFI UNIT	27-37
9.1	State on Delivery and Place of Installation	27
9.2	Assembly and Installation	27
9.2.1	Disassembling the Bed	27
9.2.2	Disassembling the Boards and Air Conditioning Unit	28
	(if installed)	
9.2.3	Disassembling the Side Tanner	28
9.2.4	Disassembling the Exhaust Unit	28
9.2.5	Disassembling the Casing	29
9.2.6	Disassembling the Canopy	29-30
9.2.7	Disassembling the Base	30
9.2.8	Installing the Exhaust Unit	30
9.2.9	Assembling the Base	30
9.3	Assembling the Casing	30
9.3.1	Assembling the Boards and Air Conditioning Unit	31
9.3.2	Assembling the Canopy	31-32
9.3.3	Assembling the Side Tanner	33
9.3.4	Assembling the Covering Panels in the Canopy, Louvre	33
	and Exhaust Chimney	
9.3.5	Connecting the Plug Connections	34
9.3.6	Assembling the Bed	34-35
9.4	Connecting the Exhaust	35-36
9.5	Electrical Connection	36
9.6	Coin Meter or Central Desk Operation	36-37
9.7	Installing Air Conditioning at a Later Stage (Accessories)	37
10	TECHNICAL SPECIFICATIONS	38-39
10.1	Technical Specifications, Dimensions and UV-Type*	38-39
10.2	Lamp Cover (Filter Discs)	39
11	Customer Service Adress	39

1 – SAFETY INSTRUCTIONS:

1.1 Before installation and placing in operation, the Safety Instructions and Operating Instructions must be carefully read and observed.

1.2 Before the unit is placed in operation, the local Safety Regulations and the Safety Instructions must be complied with.

1.3 SAFETY / WARNING

DANGER – ULTRAVIOLET RADIATION

Follow instructions. Avoid overexposure. As with natural sunlight, overexposure can cause eye and skin injury and allergic reactions. Repeated exposure may cause premature aging of the skin and skin cancer. Consult physician before using sunlamp if you are using medication or have a history of skin problems or believe yourself especially sensitive to sunlight. If you do not tan in the sun, you are likely to tan from the use of this product. **WEAR PROTECTIVE EYEWEAR: FAILURE TO MAY RESULT IN SEVERE BURNS OR LONG – TERM INJURY TO THE EYES.**

Therefore, you must observe the following Safety Instructions:

The ultraviolet radiation is very intense. **DO NOT** look at the tanning lamps.

While tanning, close your eyes, and always use the protective eyewear that is supplied.

Before tanning, always remove jewelry.

DO NOT tan more frequent than once every two days.

For recommendations about exposure times and recommended frequencies, please see below **RECOMMENDED EXPOSURE SCHEDULE**, which is enclosed with every unit.

RECOMMENDED	Skin Type	WEEK 1 1 ST -3 RD Session	WEEK 2 4 TH -6 TH Session	WEEK 3 7 TH -10 TH Session	WEEK 11 TH -15 TH Session	WEEKLY Subsequent Session
EXPOSURE	II - Fair	2 min.	6 min.	9 min.	12 min.	12 min.
	III – Average	3 min.	6 min.	10 min.	12 min.	12 min.
	IV– Brown	3 min.	7 min.	10 min.	12 min.	12 min.
SCHEDULE	V – Dark Brown	3 min.	7 min.	10 min.	12 min.	12 min.

Tanning can begin on a regular basis (allowing 48 hours between sessions). An appearance of tanning normally occurs after a few exposures and maximizes after four (4) weeks of exposure following the recommended exposure schedule of two (2) weekly 10 minute sessions is recommended from the fifth week onward.

USE PROTECTIVE EYEWEAR WHENEVER THE EQUIPMENT IS ENERGIZED.

READ THE INSTRUCTION BOOKLET BEFORE USING THIS PRODUCT.

WARNING

If you have been diagnosed by a physician as being allergic to the sun or are currently taking photosensitive medications, consult your physician before using this product.

Children, persons with fair skin, elderly persons and persons who have a history of skin problems or believe yourself especially sensitive to sunlight, should avoid using this product. If you do not tan in the sun, you are likely to tan from this product.

Certain drugs – particularly those designed to enhance photosensitivity – maybe cause individuals under their influence to experience adverse effects and those people ought to avoid exposure to UV sources of all kinds. Doctors will advise persons taking these drugs of possible adverse effects.

It is recommended that only one person at a time use the tanning system. Use protective eyewear while tanning. One pair of protective eyewear is provided with each unit sold.

Occasionally, persons, using the tanning system will experience a slight reddening of the skin – usually in small patches – after the second or third session. This redness is often accompanied by an itching sensation. This is nothing more than a heat "rash" caused by heat from the lamps within the system. It is generally very limited. It will go away within approximately 24 hours and should not reappear. This rash can be lessened or prevented by applying moisturising lotion to the affected area after the tanning session is complete.

CAUTION:

WHILE THERE IS NO IMMEDIATE CLINICAL EVIDENCE REGARDING UV EXPOSURE AND ITS EFFECTS UPON EXPECTANT MOTHERS, IT IS STRONGLY ADVISED THAT EXPECTANT MOTHERS BE DISCOURAGED FROM USING THIS PRODUCT.

EXPOSURE TIMES AND FREQUENCIES

Melanin, the brownish pigment produced by special cells in the base layers of the skin determines the individual ability to tan. As the skin is exposed to ultraviolet rays, the melanin is activated and combines with protein cells that rise to the skin's surface, thus producing a tan. The amount of melanin in your bodies determining how quickly and darkly you can tan.

NOTE

THE TAN PRODUCED BY THIS UNIT IS A DEEP, RICH "COSMETIC" TAN, HOWEVER, REGARDLESS OF HOW MUCH AN INDIVIDUAL MAY TAN WITH THIS UNIT, IT WILL NOT PROVIDE ADEQUATE PROTECTION AGAINST OVEREXPOSURE TO NATURAL SUNLIGHT OR UVB TANNING SYSTEMS.

SKIN TYPE II - THIS IS THE INDIVIDUAL THAT USUALLY BURNS EASILY AND SEVERELY. TANS MINIMALLY OR LIGHTLY AND PEELS.

SKIN TYPE III - OFTEN REFERRED TO AS "AVERAGE" COMPLEXION. BURNS MODERATELY AND TANS ABOUT AVERAGE.

SKIN TYPE IV - THIS INDIVIDUAL BURNS MINIMALLY, TANS EASILY AND ABOVE AVERAGE WITH EACH EXPOSURE.

SKIN TYPE V - THIS INDIVIDUAL RARELY BURNS, TANS EASILY

RECOMMENDED EXPOSURE SCHEDULE

RECOMMENDED	Skin Type Session	WEEK 1 1 ST -3 RD Session	WEEK 2 4 TH -6 TH Session	WEEK 3 7 TH -10 TH Session	WEEK 11 TH -15 TH Session	WEEKLY Subsequent
EXPOSURE	II - Fair	2 min.	6 min.	9 min.	12 min.	12 min.
	III - Average	3 min.	6 min.	10 min.	12 min.	12 min.
	IV- Brown	3 min.	7 min.	10 min.	12 min.	12 min.
SCHEDULE	V - Dark Brown	3 min.	7 min.	10 min.	12 min.	12 min.

No two individual skin tones are the same. A tan to one person may be different to another, and session length may vary. It is recommended that, following a tanning session, a skin moisturiser be applied. This promotes a smoother more even looking tan. Equally important - many facial make-ups have oil bases and should be removed prior to each tanning session.

NOTE

SINCE THE BACK AND STOMACH AREAS OF THE BODY WILL RECEIVE THE MAJORITY OF THE TANNING RAYS, IT IS RECOMMENDED THAT INDIVIDUALS SPEND ONE HALF OF EACH SESSION LYING ON EACH SIDE OF THE BODY TO ACHIEVE A FULL-BODIED TAN.

WARNING

COMMERCIALY AVAILABLE CREAMS, LOTIONS AND OILS CONTAIN SUNSCREENS WHICH FORM A PHYSICAL BARRIER ON THE SKIN THAT PREVENTS THE UV RAYS FROM PENETRATING AND INDUCING A TAN. IT IS RECOMMENDED THAT YOU ONLY USE CREAMS, OILS OR LOTIONS THAT **DO NOT CONTAIN POLYTHENE/GLYCOL MONOLAURATE** AND ARE DESIGNED FOR USE WITH INDOOR TANNING EQUIPMENT. FAILURE TO COMPLY WITH RECOMMENDATIONS AND WARNINGS STATED ABOVE MAY VOID THE MANUFACTURER'S WARRANTY.

WARNING!

THIS UNIT **MUST NOT** BE USED IF THE TIMER IS FAULTY OR IF THE FILTER GLASS PLATE IS BROKEN.

1.4 Proper Operation

All units are intended solely for tanning in the interior of buildings. Operate the unit only in places where there is no risk of hazards and only in dry rooms. The rooms must be well-ventilated (adequate air inflow and air outflow). If the unit is operated in a tanning salon, extremely strict hygiene must be ensured both on the unit and in the room. Any type of use not complying with these remarks is improper, and the manufacturer will not accept liability for any resulting damage or injury. Proper operation also includes compliance with the operating, maintenance and repair conditions specified by the manufacturer. Qualified service technicians authorized by PC Marketing, Inc should only perform maintenance work, and repair work. If unauthorized modifications are made on the units, the manufacturer will not accept liability for any resulting damage or injury.

1.5 Product Liability

The unit may only be operated in the proper manner. If it is operated in an improper manner, the user assumes sole responsibility. In such cases, the manufacturer cannot accept any liability.

1.6 Emergency Procedure

Switch off the electrical supply to the unit by operating the main power switch or circuit breakers, and source the unit to prevent it from being switched on again without authorization.



Warning

1.7 Explanation of Danger Symbols

Warning!

In these Operating Instructions, we have used the word warning to mark all concerns that relate to operating safety. Please post safety instructions for all users.



Function

In these Operating Instructions, we have used the word note to mark all concerns, which contain essential information for operating the unit. Please be sure they are followed in order to avoid damage to the unit.

Note

Various diagrams are referred to in the text, i.e....(30/2) refers to figure 30, item 2.

1.8 Location of the Person Using the Unit

In front of the unit and on the unit's lounge acrylic for tanning.

INFORMATION FOR THE SALON PERSONNEL

2 OPERATION

2.1 Equipment - New and Proven



Important Information! PLEASE READ!

Please pass on all this information to the user.

Function

INTERACTIVE OPERATION

You can regulate the tanning intensity and cooling for your body and face separately.

BINGO

Facial tanning continues for a certain time after your regular tanning time is over.

SHOULDER TANNER

Every unit has a shoulder tanner (either U-P-P lamps or 2 GB cassettes depending on the unit).

AIR SHOWER

There is an air vent in the canopy which allows cool air to pass directly over the upper body.

BREEZE (Optional)

There are two nozzles in the canopy which, if desired, spray a fine mist of distilled, sterile water into the tanning cabin of the unit.

AROMA (Optional)

The base casing houses an aroma module. A fragrance is automatically mixed with the cooling air as it is directed into tanning cabin of the unit (NEW).

HEADPHONES SOCKET

You can plug a 3.5 mm headphone jack into the socket to enjoy music played on the central sound system.

LOUDSPEAKER (Optional)

If you prefer, you can equip your solarium with two speakers allowing you to enjoy the music played on the central sound system while you tan.

FANS

The fans are factory-set to continue running for approx. 6 minutes after the tanning session to allow the unit to cool.

SERVICE MODULE

The service module makes it easier to service and check the parts subject to wear for ageing.

BREAKSAFE

XTT Unit

The XTT filter disc for the side tanner, the shoulder tanner, and the canopy cassette next to the front bracket of the canopy are protected by a BREAKSAFE device. The transparent filter discs for the 3 middle canopy cassettes are also protected by a BREAKSAFE device. If one of these filter discs breaks, the power supply is interrupted and the unit cannot be restarted. The XTT filter discs for the 3 middle canopy cassettes must be inspected visually.

CTT Unit

The transparent filter discs for the side tanner, the canopy, and the shoulder tanner are protected by a BREAKSAFE device. If one of these filter discs breaks, the power supply is interrupted and the unit cannot be restarted. The blue filter discs must be checked.

WARM AIR RECIRCULATION

If the room temperature falls below a particular temperature, warm air is blown into the unit via a thermostat-controlled extract air flap in the extract air chimney in order to maintain a comfortable tanning environment.

2.2 Starting the Unit



Please read the leaflet „The Sun and You“.

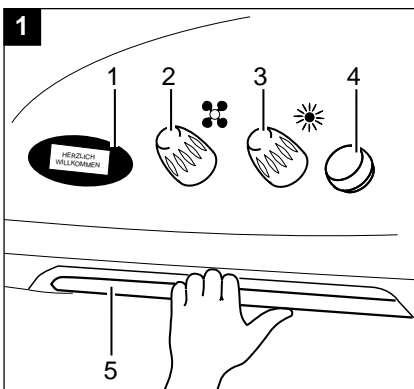
Do not exceed the tanning time recommended for your skin type. Avoid sunburn.

Warning Never undergo ultraviolet exposure if you have sunburn.

Your final tan (when your skin does not tan any more) depends on your skin type. This cannot be changed by using a solarium but only maintained.

Close your eyes while tanning and always wear the protective goggles provided.

People who have undergone surgery to their eye lenses must wear protective goggles.



Starting

1. Insert coins or tokens into the coin meter.

Making Use of the Pre-Tanning Time

1. On the display (1/1) you are asked to select your personal tanning and air-conditioning level:
 - Use the right knob (1/3) to select your personal tanning level
 - Use the left knob (1/2) to select your personal air-conditioning level
 - BINGO (1/4)
2. If you do not select a personal tanning level or air-conditioning level, the unit starts with the default settings:

- Tanning level for body and face	Level 5
- Air-conditioning level for body and face	Level 3
- BINGO, BREEZE	OFF
- AROMA	ON
- Volume	Central setting

The tanning program you have chosen will appear on the display (1/1).

You can change your chosen tanning program at any time during the tanning session. You can operate the interior operating panel from the bed. If the unit does not switch on within 5 minutes the program will revert to the default settings.

The unit switches on automatically after the pre-tanning time according to the settings of the central desk operation or coin meter used.

2.3 On the Bed

1. Lay down on the bed



Keep your body away from the front edge of the bed. Danger of squashing!

Warning

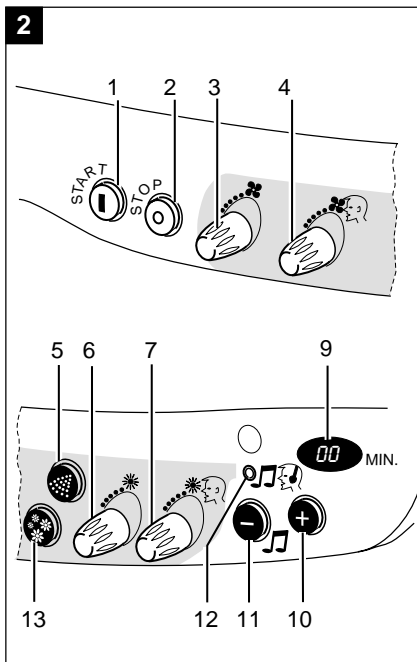
2. Pull down the canopy using the handle (1/5) that you can reach with your left hand.

The distance between your body and the lamps is determined by the design of the unit.

If the tanning session has not yet begun, the pre-tanning time is still active. The lamps switch on automatically after the pre-tanning time.

Ending the Pre-Tanning Time Prematurely (early starting or remote starting)

1. Press the START button (2/1) on the interior operating panel. The unit starts immediately (before the pre-tanning time has elapsed).



2.3.1 Interior Operating Panel



You can interrupt the tanning session at any time by pressing the STOP button (2/2).

Warning

• STOP and START Buttons

During the tanning session you can press the STOP button (2/2) to interrupt tanning and the START button (2/1) to restart tanning (Warning: the high-pressure lamps only re-ignite after a cooling time of approx. 4 minutes). The tanning time continues during the interruption, i.e. the display (2/9) continues to count off the minutes elapsed.

• Knobs for Cooling

You can control your preferred tanning environment individually with these two knobs. Knob (2/3) controls the cool air inflow from the fan at the base of the unit and knob (2/4) controls the cool air inflow from the vent at the top of the canopy. The blue LED lamps light up according to the air conditioning level you have selected.

• Tanning Knob

Knobs (2/6) and (2/7) allow you to control the tanning intensity on your body and face separately. Lamps are turned on depending on the position of the knob. The red LED lamps light up to indicate the tanning level you have chosen.

• AROMA Button (Option)

The AROMA sequence is divided into 4 phases during your tanning session. The AROMA module is activated **automatically** (NEW) when the tanning lamps are turned on. It starts with phase 1 and runs through to phase 4. The area around the buttons lights up green (active). If you press the button (2/13) with the AROMA symbol, the currently active phase stops (the area around the button lights up red) until the timing meter switches off. Phase 3 then starts automatically. If you press the AROMA button again during your tanning session, fragrance is mixed into the body cooling air again before it is directed into the tanning cabin and the area around the button lights up green (active). Please also refer to Section 5.4.

• BREEZE Button (Optional)

If you press the button (2/5) with the symbol for BREEZE, a fine mist of distilled water is sprayed over your body and face from two nozzles in the canopy. The area around the button lights up red when the spray is activated. When the spray cycle has ended (including a delay of approx. 2 minutes) the area around the button glows green and you can press the button again.

• Headphones Socket

Plug the headphones jack into the socket (2/12) to listen to music played on the central sound system.

- **Volume Buttons**

Buttons (2/10) and (2/11) allow you to control the volume of the music played on the central sound system.

- **LED Display**

The 2-segment LED display (2/9) counts the time of the tanning session in intervals of 1 minute once the sunlamps are switched on. Here you can check how many minutes of the tanning session have elapsed. After the tanning session is complete the unit switches off and the display shows 0.

2.4 Cleaning the Acrylic Panel: Use uwe cleaner only!



Hygiene is very important.

The bed must be disinfected and cleaned after every tanning session.

Warning Keep uwe cleaner and other cleaning agents away from your eyes. Do not spray into naked flames!

Do not drink.

Keep out of the reach of children.

Use cleaning agents as directed by the manufacturer and observe the acting time.

Do not pour liquids onto the unit to ensure that moisture does not seep under the covering panels into the electrics.

Cleaning the Acrylic Panel (bed panel)

1. Clean the acrylic panel after every tanning session with uwe PICCOBELLO cleaner or Paletti Hydro Vlies.
2. If using the uwe PICCOBELLO cleaning agent, spray onto the acrylic panel and leave for 1 minute.
3. Always dry the panel afterwards with a clean cloth.

INFORMATION FOR THE OPERATOR

3 Initial Operation

3.1 Important information! PLEASE READ!

Do not put defective units into operation.

Please send a copy of the inspection report in accordance with DIN VDE 0701 to the uwe Customer Services Department.



Do not allow the room to exceed the highest permissible room temperature (max. 75°F / 35°C) or the bed may become too hot.

Warning

Observe the requirements with regard to hygiene.

Provide protective goggles and ensure that they are worn.

Point out the importance of observing the tanning time depending on the user's skin type.

Keep the assembly and operating instructions handy.

Post the notes on safety and the „The Sun and You“ leaflet in the solarium room where they can be seen easily.

Only operate the unit for longer periods of time with the canopy closed.

There is a sticker on the acrylic panel of the bed providing important information in 4 languages. Please read this information and then remove the sticker.

3.2 Before Initial Operation

Study the notes on safety and operating instructions carefully before setting up and operating the unit for the first time. In the service module, you can change the factory settings (e.g. BINGO time) within certain limits to suit your preferences (see Chapter 5.1).

3.3 Using the Unit for the First Time

Before using the unit for the first time, the local safety specifications and notes on safety must be observed. The unit must only be put into operation when it is completely assembled, connected to the mains and the coin meter or central desk.

4 CLEANING - IMPORTANT INFORMATION FOR THE OPERATOR

Pay particular attention to hygiene on and around the unit. Dust reduces the tanning effect.

Keep cleaning agents away from eyes!

Do not spray into naked flames!

Do not drink! Keep out of the reach of children!

Do not pour liquids onto the unit to ensure moisture does not seep under the covering panel into the electrics.

Use cleaning agents as directed. Observe the acting time given by the manufacturer.

There is no guarantee or warranty liability if another cleaning agent is used.

• Body

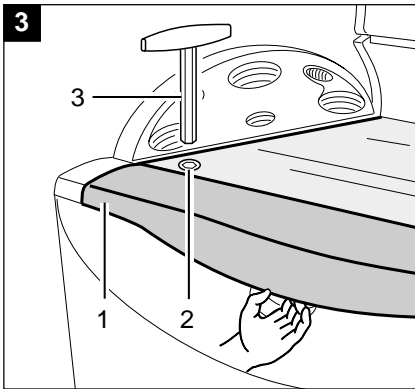
1. Clean the painted outer surface of the unit with a damp cloth. A little detergent may be added to the water used to moisten the cloth.
2. Do not use scouring agents.
3. Remove stubborn dirt with a soft cloth and a biodegradable cleaning agent (e.g. a cleaning agent containing vinegar).

• Acrylic Panel

PICCOBELLO is ideal for disinfecting, deodorising, and cleaning all kinds of surfaces, in particular in tanning salons and fitness studios. PICCOBELLO is supplied by uwe as a concentrate and must be diluted in water to a solution suitable for use.

Diluting PICCOBELLO ready for use

1. Mix 15 ml PICCOBELLO with 1 litre of water to give a 1.5% solution with an acting time of 1 minute.

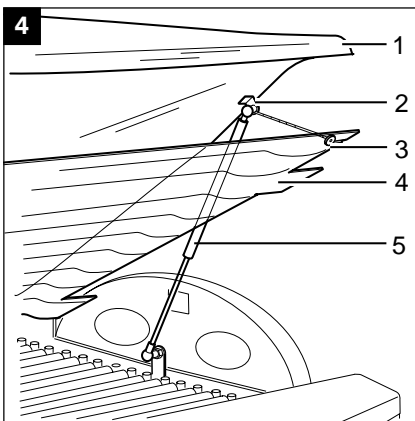


Cleaning the Acrylic Panels

1. Only use original uwe PICCOBELLO cleaning agent or Paletti Hydro Vlies to clean the acrylic panels.
2. If using the PICCOBELLO cleaning agent, spray onto the bed panel (3/1) and leave to work for approx. 1 minute.
3. Always dry the panel afterwards with a clean cloth.
4. From time to time, clean the underside of the bed panel, the corrugated acrylic panel under the bed panel and the acrylic panel in the canopy.

Lifting Up the Acrylic Bed Panels

1. Take the socket head screwdriver provided (3/3).
2. Turn the bolt (3/2) of the bed panel (3/1) using the socket head screwdriver.
3. Do the same with the second bolt.
4. Hold the bed panel (3/1) along the front long side and lift the bed panel all the way up. The gas pressure spring (4/5) holds the bed panel and the corrugated acrylic panel (4/4) below the bed panel in this open position.
5. Detach the corrugated bed panel (4/4) from the retaining cables (4/3). The corrugated acrylic panel is now free on the bed and can be removed for cleaning.
6. Clean the underside of the bed panel and the lower corrugated acrylic panel with PICCOBELLO cleaner or Paletti Hydro Vlies.

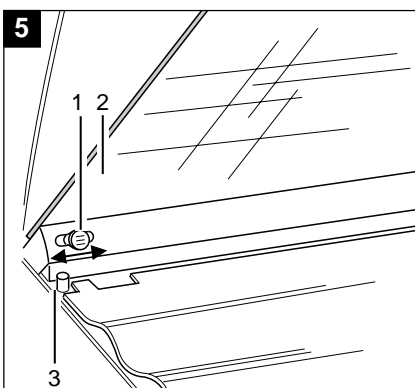


Lowering the Acrylic Panels

1. Lay the corrugated acrylic panel on the bed so that the adjusting bolts (5/3) fit in the recesses.
2. Lift the corrugated acrylic panel and attach it in the retaining cables (4/3).
3. Hold the front long side of the bed panel (4/1) and lower the bed panel onto the bed.
4. Turn both bolts (3/2) using the socket head screwdriver so that the bed panel is secured firmly in place.

• Reflector

1. When replacing lamps, wipe the reflectors with a cloth which has been soaked in alcohol.

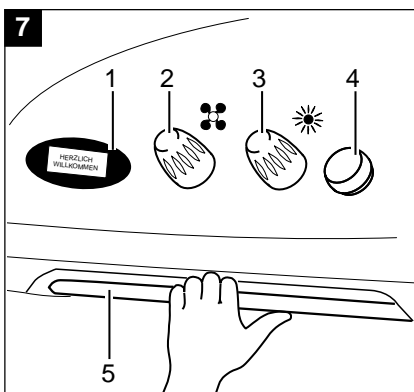
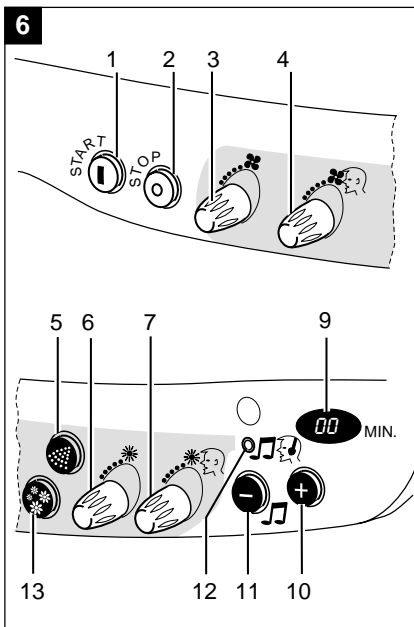


5 KNOW HOW FOR THE OPERATOR

5.1 Service Module (operating hours, warm air recirculation, exclamation mark on the external display)

The service module has 3 subprograms which can be called up one after the other on the external display.

The service module makes it easier to service the most important parts of the unit that are subject to wear and to check them for ageing.



In the service module you can call up the operating hours and select the air conditioning level for the tanning cabin.

5.1.1 Operating the Service Module

1. Press 4 buttons on the interior operating panel simultaneously: START button (6/1), STOP button (6/2) and the two buttons used to control the volume (6/10 and 6/11).
2. Press this button combination for about 4 seconds. The program menu appears on the external display (7/1).
3. Use the two control knobs to move the cursor through the menu.
4. Move the cursor vertically using the left knob (7/2).
5. Use the right knob (7/3) to move the cursor horizontally and to select your preferred settings. The settings you select are saved when you move to the next line.
6. If you move the cursor down you reach Service Menu 1 and Service Menu 2.
7. Press the BINGO key (7/4) in Service Menu 1 to reset the settings. Press the BINGO key, for example, when the filter mats have been replaced and the operating hours for the filter mats must be reset to 150 hours.
8. **If you unplug the unit within 5 minutes of leaving the service module, the parameters you have changed are saved and activated.**

If you change parameters but then do not unplug the unit after leaving the service module to confirm your changes, all settings which were active before entering the service module remain active.

If you do not make any changes for approx. 4 minutes in the service module, the unit automatically leaves the service module and returns to the operator prompting screen („Hello and welcome...“).

5.1.2 Subprograms of the Service Module

Program Menu

1. In the program menu you can change the factory settings (e.g. BINGO time) within certain limits to suit your preferences (see Table 1.1 in Section 5.1.3).

Service Menu 1 - Exclamation Mark on External Display/Total Operating Time

1. If an exclamation mark (!) appears in the bottom right corner of the external display (7/1), go to the Service Menu 1 and then replace the wearing part next to which there is also an exclamation mark.
2. In Service Menu 1 reset the operating hours for the wearing part, after which time the part must be replaced again (see Table 1.1 in Chapter 5.1.3).
3. Read off the total operating time.

Example: Filter mats

1. Set the exchange interval to 150 operating hours. When the unit and filter mats have been operated for 150 hours, an exclamation mark (!) is displayed in the bottom right corner of the external display (7/1).
2. Call up Service Menu 1.
3. Check for which wearing part the operating time has elapsed (the filter mats in this example).
4. Change the filter mats.
5. In the „reset“ line for the filter mats and press the BINGO button to reset the time to 150 hours.

Service Menu 2 - Error Message on the External Display

• Supply / Exhaust Air

The temperatures of the supply and exhaust air are measured and displayed in Service Menu 2. These temperatures are compared to the maximum permissible temperatures.

If the temperature limits are exceeded, „F1“ appears in the bottom right corner of the display.

1. Call up Service Menu 2.
2. Check the display.
3. Contact uwe Customer Service if necessary.

• Warm Air Recirculation

The operator can close (max.) or open (min.) the air vent in the exhaust duct or select a temperature level for inside the tanning cabin of the unit (see Chapter 5.1.3, Table 1.2)

- **BREEZE**

If you exchange a component of the BREEZE module, e.g. the water canister, the number of spraying operations must be reset to 2000 (Service Menu 1), the BREEZE system must be bled (Service Menu 2), and the unit must be unplugged from the mains.

1. Please refer to Chapter 6.8 for the exact procedure.

Other Possible Error Messages

- F1 Temperature exceeded (exhaust air temperature exceeds 60°C)
- F2 EEPROM error
- F3 Sensor short-circuit
- F4 Sensor broken

Procedure

1. Contact uwe Customer Service.

5.1.3 Overview of Possible Settings

	Factory Settings	Possible setting ranges for the operator	
Language	German	Choice of 14 languages	
		Minimum value	Maximum value
Overrun time	6 minutes	4 min.	6 min.
BINGO time	2 minutes	1 min.	3 min.
Low-pressure lamps	500 operating hours (hrs)	350 hrs	700 hrs
High-pressure lamps	500 operating hours (hrs)	350 hrs	700 hrs
Filter mats	150 operating hours	100 hrs	300 hrs
Starter	1000 operating hours	700 hrs	1400 hrs
BREEZE Module	2000 spraying operations	Cannot be changed, counts down the number of spraying operations from 2000. Warning! After 1920 activations the BREEZE button is locked	
AROMA module	300 AROMA operating-hours	Cannot be changed	

Table 1.1

Note

The time can be set in steps of 0.5 minutes for the after-running time and the BINGO time, and in steps of 50 hours for the other wearing parts such as the low-pressure lamps.

Warm Air Recirculation		
Can be selected by user	Exhaust air flap	positionEffects
Limit stop min.	open = Level 1	No warm air inside tanning cabin. All warm air in exhaust duct
Level 2 (15°C-17°C) Level 3 (17°C-19°C) Level 4 (19°C-21°C) Level 5 (21°C-23°C) Level 6 (23°C-25°C)		The position of flap regulates the temperature inside the tanning cabin to the temperature level selected by you.
Due to the differences in temperature in the room, the temperatures are given only as a reference		

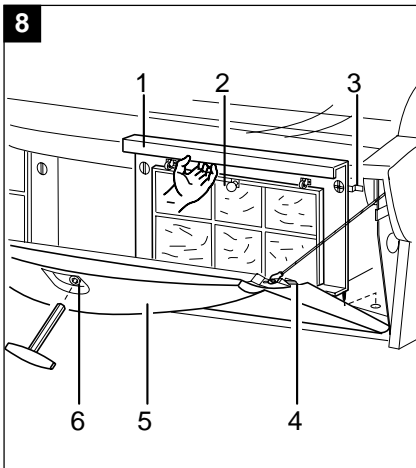
Table 1.2

5.2 Weekly Timer for Controlling the Standby Light (see Chapter 6.3.3)



Unplug the unit from the mains!

Warning



Removing the Large Covering Panel in Front of the Base.

1. Take the socket head screwdriver.
2. Turn the hexagon socket bolt (8/6) in the center of the large covering panel. The bolts (8/4) are released from the bracket of the base casing.
3. Remove the covering panel (8/5) from the front.

Remove the Left-hand Filter Frame

1. Turn the slots in the bolts (8/3) to the horizontal position.
2. Hold the filter frame by the handle (8/1).
3. Lift the filter frame with its pilot pins out of the drilled holes.
4. Guide the filter frame downwards and out.

Setting the Weekly Timer

You can set the weekly timer (9/1) in the base casing to control when the illumination lamps in the unit (standby light, floor light) are switched on.

1. Rotate the programme disc in the direction of the arrow until the current day of the week and current time are over the large white arrow tip.
2. Push the slide switches over the times (day and time) when you want the illumination lamps to be on. The slide switches will lock in position.

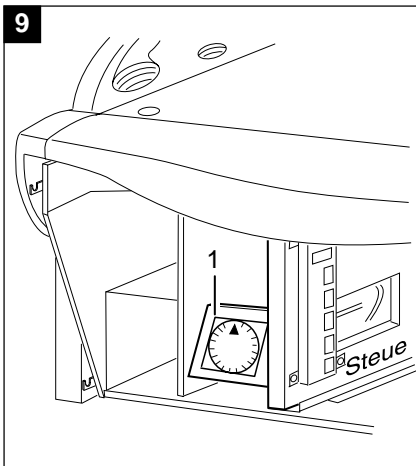
The shortest possible switching interval in the weekly programme is 2 hours.

Inserting the Filter Frame

1. Hold the filter frame by the handle (8/1).
2. Move the handle under the front edge of the bed.
3. Insert the filter frame with pilot pins into the drilled holes of the base.
4. Swing the filter frame with the handle towards the base.
5. Turn the slots of the bolts (8/3) to the vertical position.

Fitting the Large Covering Panel in Front of the Base

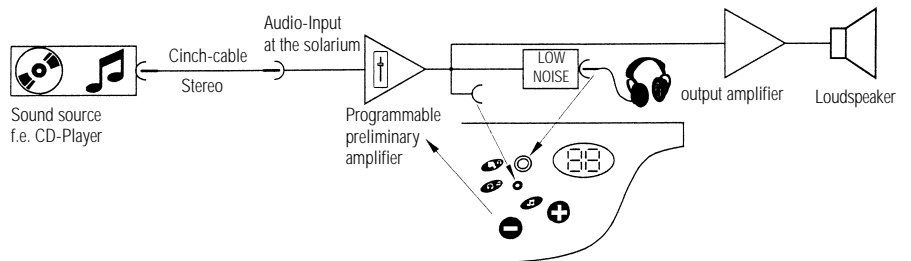
1. Move the large covering panel (8/5) towards the base until it touches the base. The bolts (8/4) lock into place.



5.3 Sound System

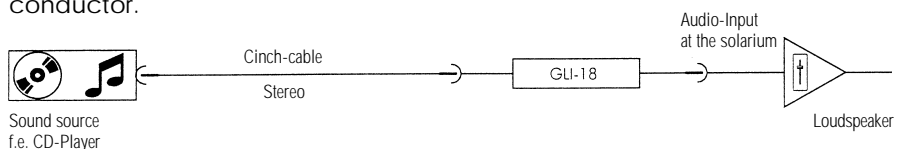
Audio input level

There are two audio sockets for the two stereo channels on the front of the unit at the head end through which you can feed an unamplified audio signal. Cassette recorders and CD players provide the best signal for this. An input voltage of $2 V_{eff}$ is required to achieve the full volume level. The maximum permissible upper limit for the input signal (overload limit) is $3 V_{eff}$.



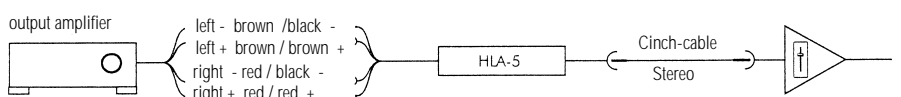
Eliminating Humming Noises

If you connect several solariums to one audio system in parallel, you may hear a constant humming sound with a frequency of 50 hertz (mains frequency) caused by the power installation on your premises. You can eliminate this problem by installing the transformer (GLI-18, ID. No. 249 920) which works as an electrical isolator between the audio ground conductor and the protective conductor.



Operating the Audio System with Loudspeaker Signals

If you previously used loudspeakers in your studio rooms, which were supplied with a signal from an output amplifier, you will overload the audio input if you now connect the solarium to the existing signal. You will need to install a level adapter (HLA-5, ID. No. 249 938), which reduces the signal to a compatible level. The maximum load for the adapter is 20 watts for each channel.



5.4 Order of the AROMA Sequence

NEW

The AROMA module consists of 4 fragrances. Once your tanning session begins, the 4 fragrances are mixed into the body cooling air one after the other and introduced into the tanning cabin (in 4 phases). The AROMA module sequence begins **automatically** with phase 1 as soon as the sunlamps are turned on (you do not have to press a button). The area around the AROMA button lights up green.

If you do not press the AROMA button during the tanning session, the AROMA sequence runs as follows:

Phase 1

Every 30 seconds from the start of the tanning session until 2 minutes after the start, fragrance from container 1 is introduced into the air flow for the body cooling air for 5 seconds.

Phase 2

From the 3rd minute of the tanning session until the end of the session (BINGO elapsed), fragrance from container 2 is introduced into the air flow for the body cooling air for 10 seconds. This happens every 60 seconds.

Phase 3

At the end of the tanning session until the end of the after-running time, fragrance from container 3 is introduced into the air flow for the body cooling air for 7 seconds. This happens every 30 seconds.

Phase 4

Finally, fragrance from container 4 is introduced into the air flow for the body cooling air for 10 seconds every 3 minutes (for a maximum of 15 minutes).

If you press the STOP button (lamps off) during phase 1 and 2, this has no effect on the AROMA sequence. The current phase continues until the timing meter switches off, then phase 3 starts automatically. The same applies if after pressing the STOP button, you press the START button (lamps on).

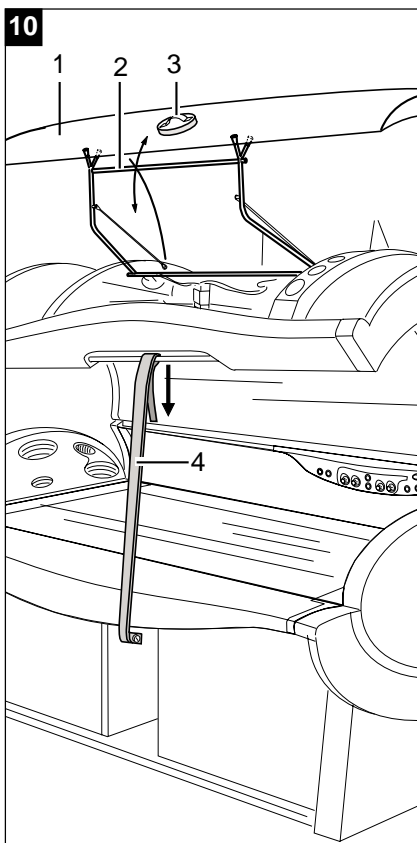
Warning!



Warning

If you press the AROMA button during phase 1 and 2 (area around the button changes from green to red), the current phase stops until the timing meter switches off, then phase 3 starts automatically. If you press the AROMA button again during phase 1 and 2 (area around the button changes from red to green), phase 1 or 2 restarts until the timing meter switches off, and then phase 3 starts automatically.

Check the liquid level of the AROMA containers every 300 operating hours. If necessary replace the AROMA containers (see Chapter 6.7).



6 SERVICING AND MAINTENANCE



Always unplug the unit from the mains!

Function

The operator must ensure that the unit is always operated in perfect condition. Ensure the technical equipment is serviced and checked regularly.

Additional measures such as preventing unauthorized access are required when repairing or restarting the unit after servicing.

Only authorized persons may work on the unit, please contact your specialist dealer or uwe.

Do not use work procedures which impair the safety of the unit.

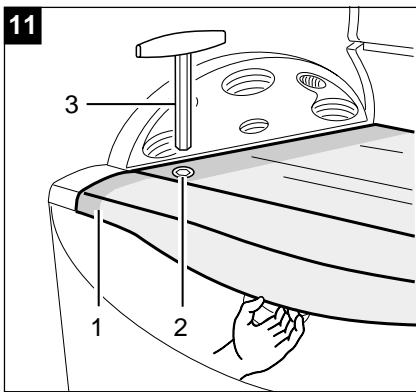
Always obtain original spare parts from your specialist dealer or uwe. Liability cannot be assumed if other lamps or starters are installed other than original parts.

Do not operate the unit without the acrylic panels.

When working on the canopy, the large covering panel (10/1) can be supported on a bar (10/2), i.e. the covering panel need not be removed completely.

Warning!

Before lifting the large covering panel of the canopy, move the canopy to the lowest position with the strap (10/4) (unit closed.) Otherwise the covering panel may be damaged. The canopy is secured by a stay.



6.1 Exchanging the Acrylic Panel

The acrylic panels are special panels with high UV permeability. Therefore never replace the acrylic panels with window glass or commercial Plexiglas because these partially or completely filter out the UV rays. Always obtain the original acrylic panels from your specialist dealer or the unit manufacturer. On delivery, the acrylic panel is covered on both sides with protective sheeting. Remove this sheeting before use in the tanning unit. Do not operate the unit without the acrylic panel, this no longer ensures that the lamps are cooled.

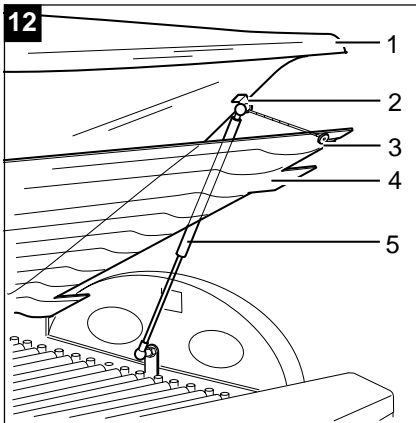


The manufacturer assumes no liability for damage.

Warning

The acrylic panel of the canopy, side tanner, and the bed panel are frosted on one side (**LIGHT GLASS**).

1. When installing, ensure that the frosted side of the acrylic panel always faces the lamps.
2. Do not polish the frosted side of the acrylic panel with polish.

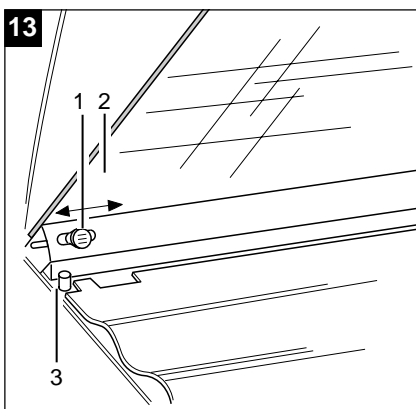


6.1.1 Acrylic Bed Panel

There are 2 acrylic panels on top of one another in the bed.

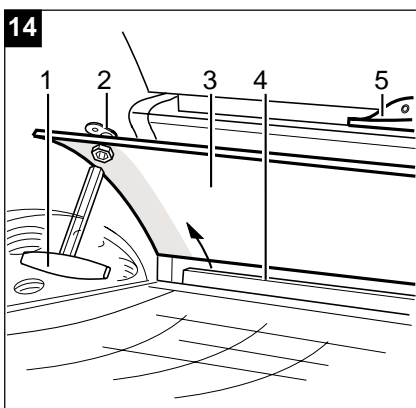
Removing the Acrylic Panels

1. Take the socket head screwdriver provided (11/3).
2. Using the socket head screwdriver, turn the bolt (11/2) of the bed panel (11/1).
3. Do the same with the second bolt.
4. Hold the bed panel (11/1) along the front long side and lift the bed panel all the way up. The gas pressure spring (12/5) holds the bed panel and the corrugated acrylic panel (12/4) below the bed panel in this open position.
5. Detach the corrugated bed panel (12/4) from the retaining cables (12/3). The corrugated acrylic panel is now free on the bed and can be removed.
6. Unscrew the bolt (13/1) at the rear edge of the bed panel (13/2) and push the bed panel towards the center of the unit.
7. Remove the gas pressure spring at the top fixing point (12/2). The bed panel can now be removed.



Fitting the Acrylic Panels

1. Position the bed panel (13/2) on the bed so that it has a positive fit.
2. Insert the pins of the bolts (13/1) on both sides into the drill holes of the bed frame.
3. Lock the pins by pushing the bolts towards the front part and tightening them.
4. Secure the gas pressure springs (12/5) on both sides to the top fixing point (12/2) on the bed panel (12/1).
5. Lay the corrugated bed panel on the bed so that the adjusting bolts (13/3) sit in the recesses.
6. Lift the corrugated bed panel and attach it in the retaining cables (12/3).
7. Hold the bed panel (11/1) along the front long side and lower it onto the bed.
8. Turn both bolts (11/2) using the socket head screwdriver so that the bed panel is secured firmly in place.



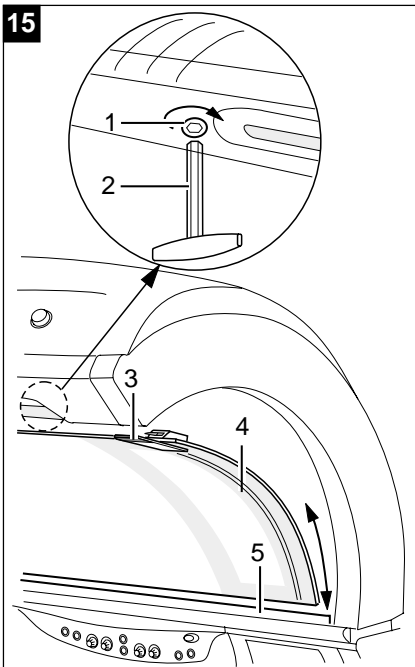
6.1.2 Acrylic Panel Side Tanner

Removing the Acrylic Panel

1. Lift up the interior operating panel (14/5).
The operating panel locks in position.
2. Take the socket head screwdriver (14/1) and turn the three bolts (14/2).
3. Tilt the acrylic panel (14/3) forwards onto the long side.
4. Lift the acrylic panel out of the longitudinal groove (14/4).

Fitting the Acrylic Glass Panel

1. Lift up the operating panel (14/5).
The operating panel locks in position.
2. Lift the acrylic panel according to the screen printing.
Unit XTT or CTT: the polished GB area of the acrylic panel is installed over the high pressure lamp cassette.
3. Insert the acrylic panel (14/3) into the longitudinal groove (14/4).
4. Tilt the acrylic panel towards the side tanner until it touches.
5. Turn back the 3 bolts (14/2) using the socket head screwdriver (14/1).
6. Lower the operating panel (14/5).
The operating panel locks in position.



6.1.3 Acrylic Panel of Canopy

Removing the Acrylic Panel

1. Take the socket head screwdriver.
2. Turn the hexagon socket bolt (15/1) at the side of the handle plate using the socket head screwdriver (15/2).
3. Leave the socket head screwdriver in the bolt (15/2).
The acrylic panel falls down with its front long side onto the handle of the socket head screwdriver.
4. Remove the socket head screwdriver and lift the acrylic panel out of the rear longitudinal groove (15/5).

Fitting the Acrylic Panel

1. Fit the acrylic panel into the longitudinal groove (15/5) according to the screen printing.
Unit XTT or CTT. The polished GB area of the acrylic panel is installed above the high pressure lamp cassettes.
2. Tilt the acrylic panel (15/4) towards the canopy.
The three bolts of the acrylic panel snap into place and the acrylic panel is secured firmly in place.

6.2 Servicing the High-Pressure Lamps

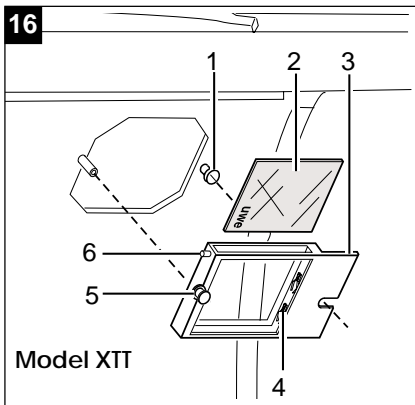
The high pressure lamps in the canopy, side tanner and shoulder tanner are fitted with a special filter glass configuration.

XTT Unit

An XTT filter disc is installed in front of the high-pressure lamp in the side tanner, the shoulder tanner and the high-pressure lamp in the canopy that is connected to the front bracket of the canopy. The other 3 high-pressure lamps in the canopy are fitted with one XTT filter disc and one transparent filter disc.

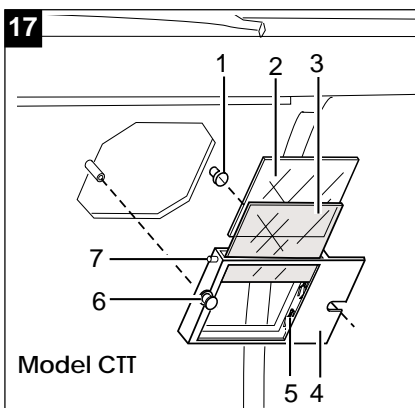
CTT Unit

A blue filter disc and a transparent filter disc are installed in front of the high-pressure lamps in the canopy and the side tanner. An XTT filter disc is fitted in front of the high-pressure lamp in the shoulder tanner.



Warning

The high-pressure lamps must only be operated with the unit-specific filter disc configuration. If the filter discs are damaged or missing the unit must not be operated under any circumstance. Danger of burning! Danger of blinding. If the face tanner is switched on again straight away, depending on the unit type, it will either not ignite immediately or will not produce full power because it requires a 4-minute cooling-off phase. When replacing the high-pressure lamp, please contact the unit manufacturer or your specialist dealer. No liability is assumed if a new original lamp is not installed.

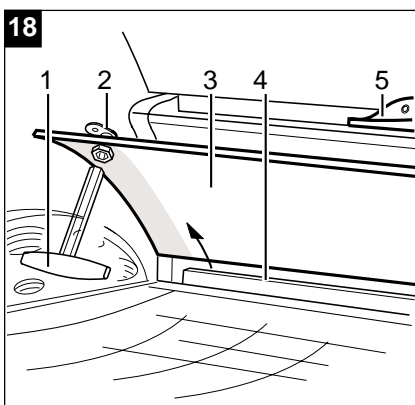


XTT Unit BREAKSAFE

The XTT filter discs of the side tanner, shoulder tanner, and the one canopy cassette connected to the front canopy bracket, are protected by a BREAKSAFE device. The transparent filter discs for the 3 middle canopy cassettes are also protected by a BREAKSAFE device. If one of these filter discs breaks, the power supply is interrupted and the unit cannot be restarted. The XTT filter discs for the 3 middle canopy cassettes must be inspected visually.

CTT Unit BREAKSAFE

The transparent filter discs of the side tanner and the canopy are protected by a breaksafe device. The XTT filter disc of the shoulder tanner is also protected by a breaksafe device. If one of these filter discs breaks, the power supply is interrupted and the unit cannot be restarted. The blue filter discs must be checked.



6.2.1 Exchanging the High-Pressure Lamp in the Side Tanner



Warning

Warning!

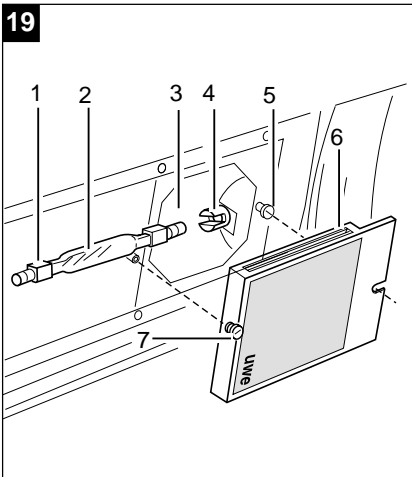
Hold the high-pressure lamp by the rectangular base only. Never pull the high-pressure lamp by the glass bulb.

Never touch the glass bulb of the high-pressure lamp with your fingers.

If you touch the glass bulb by accident, wipe off the fingerprints with a clean cloth soaked in alcohol.

Removing the Acrylic Panel

1. Lift up the interior operating panel (18/5).
The operating panel locks in position.
2. Take the socket head screwdriver (18/1) and turn the three bolts (18/2).
3. Tilt the acrylic panel (18/3) forwards onto the long side.
4. Lift the acrylic panel out of the longitudinal groove (18/4).



Removing the High-Pressure Lamp

1. Pull the Tenax lock (16/5 or 17/6) downwards.
2. Detach the cassette (16/3 or 17/4) from the bolt (16/1 or 17/1) using both hands.
3. Hold the high-pressure lamp (19/2) by the rectangular base (19/1) and press it lengthways into the holder (19/4) on one side until the other side is released.
4. Remove the lamp by pulling down.

Cleaning the Reflector

1. Clean the reflector (19/3) with a clean cloth soaked in alcohol.

Fitting the High-Pressure Lamp

1. Hold the new high-pressure lamp (19/2) by the base (19/1).
2. Insert the lamp (19/2) into the holder (19/4).
3. Press back the holder.
4. Insert the lamp.

Removing the Filter Discs

1. Take the cassette (16/3 or 17/4) with the one filter disc (XTT unit) or the 2 filter discs (CTT unit).
2. Lift the filter disc (16/2 or 17/2 and 17/3) over the adjusting bolts (16/6 or 17/7) using both thumbs.
3. Remove the XTT filter disc (16/2, XTT unit) or the 2 filter discs (17/2, 17/3, CTT unit).

Cleaning the Filter Discs

1. Clean the filter discs with warm water. The water may contain a little detergent.
2. Dry the filter discs with a clean cloth.

Fitting the Filter Discs

The side tanner must not be used without the filter discs!



XTT Unit

The XTT filter disc is pushed into the lower rail (nearest the user).

Warning

The coated side of the XTT filter disc must face the lamp.

It must be possible to read the uwe logo on the XTT filter disc from the bed.

Install the XTT filter disc as shown in Fig. 16.



CTT Unit

Warning!

Warning

When assembling	transparent filter disc	nearest the lamp
	blue filter disc	nearest the user

Install the two filter discs as shown in Fig. 17.

1. Install the correct filter discs in the panel holder according to the type of unit (XTT unit or CTT unit).
2. To do this, push the filter disc over the bolts (16/6 or 17/7).
The filter discs clip into place.
3. Hook the completely assembled cassette (16/3 or 17/4) with cleaned filter discs onto the bolts (16/1 or 17/1).



The lug of the microswitch for the BREAKSAFE fuse is pressed back.

Function

4. Press the Tenax lock (16/5 or 17/6) into its fixing point.

Fitting the Acrylic Glass Panel

1. Lift up the operating panel (18/5).
The operating panel locks in position.
2. Lift the acrylic panel according to the screen printing.
XTT or CTT unit: the polished GB area of the acrylic panel is installed over the high pressure lamp cassette.
3. Insert the acrylic panel (18/3) into the longitudinal groove (18/4).
4. Tilt the acrylic panel towards the side tanner until it touches.
5. Turn back the 3 bolts (18/2) using the socket head screwdriver (18/1).
6. Lower the operating panel (18/5).
The operating panel locks in position.

6.2.2 Changing the High-Pressure Lamp in the Canopy



Warning!

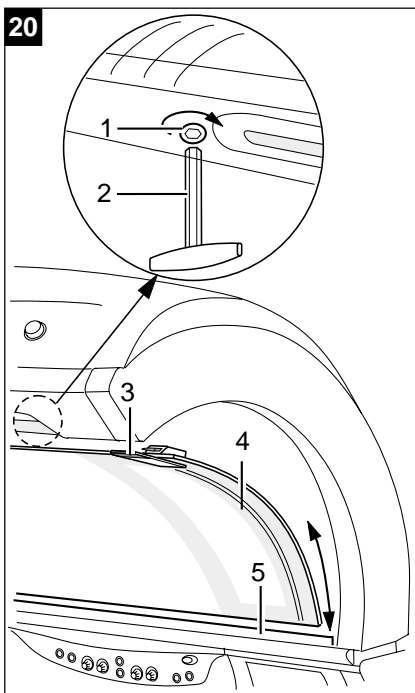
Hold the high-pressure lamp by the rectangular base only.

Never pull the high-pressure lamp by the glass bulb.

Warning

Never touch the glass bulb of the high-pressure lamp with your fingers.

If you touch the glass bulb by accident, wipe off the fingerprints with a clean cloth soaked in alcohol.



Removing the Acrylic Panel

1. Take the socket head screwdriver (20/2).
2. Turn the hexagon socket bolt (20/1) at the side of the handle plate using the socket head screwdriver.
3. Leave the socket head screwdriver in the bolt.
The acrylic panel falls with its front long side (20/4) onto the handle of the socket head screwdriver.
4. Remove the socket head screwdriver and lift the acrylic panel out of the rear longitudinal groove (20/5).

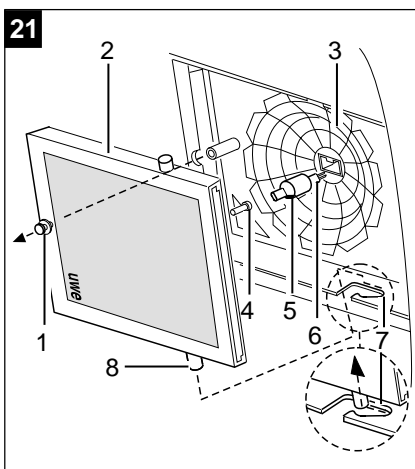
Removing the High-Pressure Lamp

1. Pull the Tenax lock (21/1) of the appropriate GB housing downwards.
Warning! The panel holder can be lowered around 15 degrees.
2. Hold the panel holder (21/2) with both hands and lift the panel holder towards the canopy.
The bolt (21/8) slides out of the fixing point (21/7).
3. Pull the panel holder off from the front using both hands.
4. Hold the high-pressure lamp (21/5) by the rectangular base (21/6) and pull the lamp out of the socket.



Function

The high-pressure lamp of the GB housing which is next to the front bracket of the canopy, is installed horizontally. When removing this high-pressure lamp, push the lamp into the socket until the other side becomes free and then pull the lamp down and out. (Install in the reverse sequence).



Cleaning the Reflector

1. Clean the reflector (21/3) with a clean cloth soaked in alcohol.

Fitting the High-Pressure Lamp

1. Hold the new high-pressure lamp by the base (21/6).
2. Push the lamp (21/5) into the socket.

Removing the Filter Discs

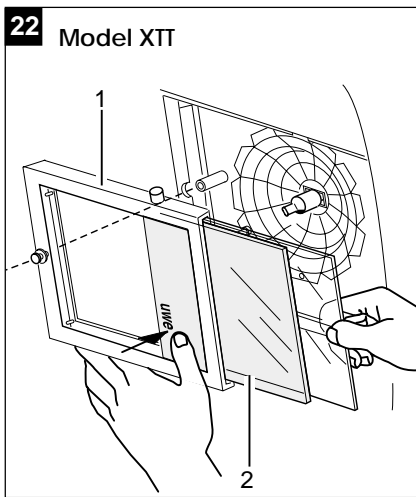
1. Hold the disc holder (22/1).
2. Hold the panel holder in both hands. Lift the filter disc over the adjusting bolts using both thumbs and remove the filter disc.

XTT Unit

3. Remove the XTT filter disc from the panel holder next to the front canopy bracket. Remove the XTT filter discs and transparent filter disc from the other 3 panel holders.

CTT Unit

3. Remove the blue filter disc and the transparent filter disc.



Cleaning the Filter Discs

1. Clean the filter discs with warm water. The water may contain a little detergent.
2. Dry the filter discs with a clean cloth.

Fitting the Filter Discs

The canopy must not be used without filter discs.

XTT unit

The coated side of the XTT filter disc must face the lamp.

It must be possible to read the uwe logo on the XTT filter disc from the bed.

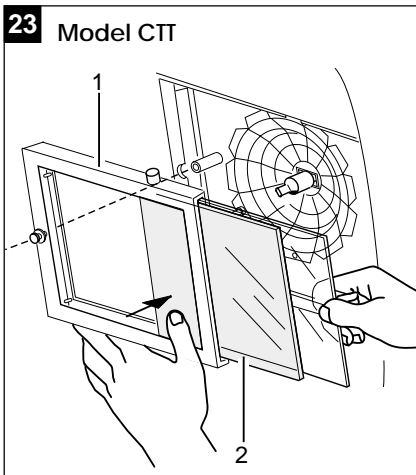


Warning!

When assembling

The panel holder installed over the high-pressure lamp next to the front canopy bracket is only fitted with one XTT filter disc. This filter disc is pushed in on the side nearest the user.

The other 3 cassettes: transparent filter disc nearest the lamp
XTT filter disc nearest the user



Install the filter discs as shown in Fig. 22.



CTT unit

Warning!

When assembling transparent filter disc nearest the lamp
Warning blue filter disc nearest the user

Install the two filter discs as shown in Fig. 23.

1. Install the appropriate filter discs in the panel holder according to the type of unit you are using (XTT unit or CTT unit).
2. Push the filter discs over the adjusting bolts. The filter discs clip into place.
3. Install the complete panel holder (21/2) with cleaned filter discs into the GB housing.

XTT unit

The panel holder that is fitted with just one XTT filter disc is installed in the GB housing next to the front canopy bracket.

4. Move the panel holder towards the canopy until it touches the canopy.



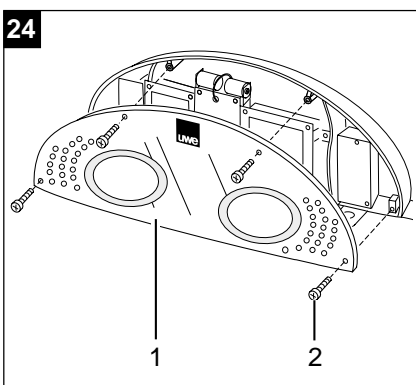
The bolt of the microswitch (21/4) for the BREAKSAFE fuse is pressed back.

Function

5. Press the Tenax lock (21/1). The panel holder is locked to the GB housing.

Fitting the Acrylic Panel

1. Position the acrylic panel (20/4) in the longitudinal groove (20/5) according to the screen printing.
2. Tilt the acrylic panel (20/4) towards the canopy. The three bolts of the acrylic panel snap in place and the acrylic panel is secured firmly in place.



6.2.3 Changing the High-Pressure Lamp in the Shoulder Tanner



Warning!

Hold the high-pressure lamp by the rectangular base only.

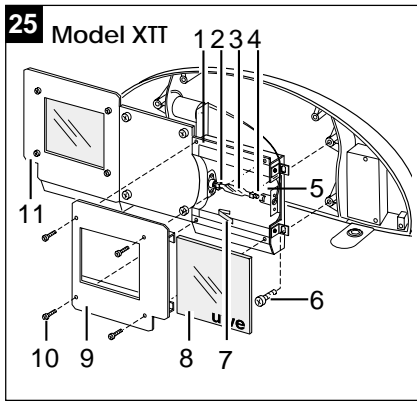
Never pull the high-pressure lamp by the glass bulb.

Warning Never touch the glass bulb of the high-pressure lamp with your fingers.

If you touch the glass bulb by accident, wipe off the fingerprints with a clean cloth soaked in alcohol.

Dismantling the Acrylic Panel of the Shoulder Tanner

1. Unscrew the 4 recessed head screws (24/2).
2. Remove the acrylic panel (24/1).



Removing the High-Pressure Lamp

1. Unscrew the 4 screws (25/10) from the panel holder (25/9) and remove the panel holder.
2. Hold the high-pressure lamp by the rectangular base (25/4).
3. Press the lamp longitudinally into the holder (25/2) until the other side is released.
4. Remove the lamp (25/3).
5. To do the same with the second panel holder (25/11).

Cleaning the Reflectors

1. Clean the reflector (25/5) with a clean cloth soaked in alcohol.

Fitting the High-Pressure Lamp

1. Hold the new high-pressure lamp (25/3) by the base (25/4).
2. Insert the lamp in the holder (25/2).
3. Press back the holder.
4. Insert the lamp.

Removing the Filter Discs

1. Remove the panel holder (25/9, 25/10).

XTT unit

2. Remove the XTT filter disc (25/8).

CTT unit:

2. Remove the XTT filter disc (26/8).

Cleaning the Filter Discs

1. Clean the filter discs with warm water. The water may contain a little detergent.
2. Dry the filter discs with a clean cloth.

Fitting the Filter Discs

The shoulder tanner must not be used without filter discs!



Warning:

XTT unit

The coated side of the XTT filter disc must face the lamp.

Warning

It must be possible to read the uwe logo on the XTT filter disc from the bed.

Push the XTT filter disc into the rail that faces the user side.

Install the filter disc as shown in Fig. 25.



CTT unit:

Warning:

The coated side of the XTT filter disc must face the lamp.

Warning

It must be possible to read the uwe logo on the XTT filter disc from the bed.

Push the XTT filter disc into the rail that faces the user side.

Install the filter disc as shown in Fig. 26.

1. Install the appropriate filter discs in the panel holder according to the type of unit you are using (XTT unit or CTT unit).

Assembling the Shoulder Tanner

1. Secure the panel holders (25/9 and 26/9) or (25/11 and 26/11) with 4 screws.



The lug of the microswitch (25/7 or 26/12) for the BREAKSAFE fuse is pressed back.

Function

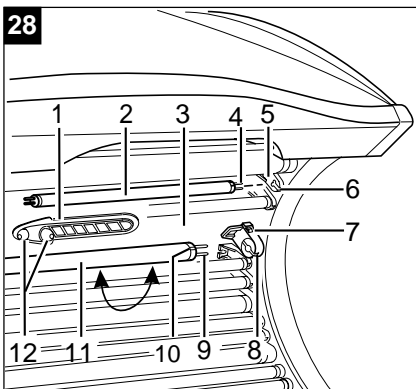
Assembling the Acrylic Panel of the Shoulder Tanner

1. Fit the acrylic panel (27/1).
2. Screw in the 4 recessed head screws (27/2).

6.3 Exchanging the Lamps

Burning-in the Lamps

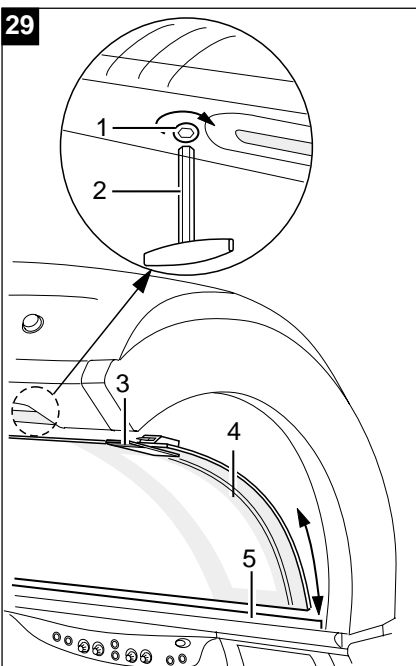
To begin with, the lamps are slightly different in color. These differences disappear over time. The lamps are darker at the ends. This is a physical property and not a fault with the lamps.



6.3.1 Exchanging the Long Sunlamp

Exchanging the Lamp

1. Remove the appropriate acrylic panel (see Chapter 6.1).
2. Turn the sunlamp (28/11) in either direction until the contact pins (28/9) can be seen in the groove (28/8) of the lamp holder.
3. Remove the lamp.
4. Clean the reflector (28/3) with a cloth soaked in alcohol.
5. Hold the new sunlamp horizontally so that the contact pins (28/9) are vertically above one another.
6. Press the sunlamp into the lamp holder in this position. Turn the sunlamp 90 degrees so that the notch (28/10) in the metal ring at the end of the lamp is at the top.
If using a reflector lamp, the lighter reflector side of the lamp must face the unit and the stamp of the lamp must face the user.
7. Fit the appropriate acrylic panel.



6.3.2 Exchanging the UPP Lamp (CPS unit only)

Exchanging the UPP Lamp

1. Remove the appropriate acrylic panel (see Section 6.1).
2. Turn the lamp (28/2) in either direction so that the contact pin (28/4) appears in the groove of the holder which is open at the bottom.
3. Remove the lamp by pulling downwards.
4. Hold the new lamp horizontal so that the contact pins (28/4) are vertical one above the other.
5. Insert the lamp into the groove which is open at the bottom (28/6). Tilt the lamp so that one contact pin fits securely in the socket of the holder.
6. Turn the lamp so that the second contact pin clips into the other socket.
7. Fit the appropriate acrylic panel.

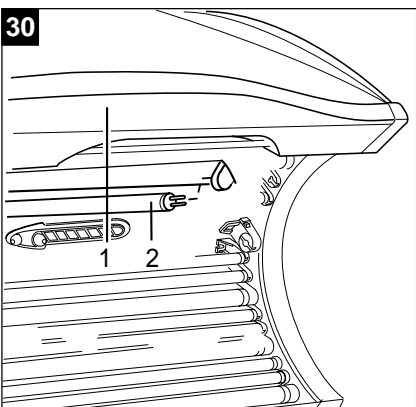
6.3.3 Exchanging the Illumination Lamps

There are two illumination lamps installed behind the front canopy bracket and below the front edge of the bed.

• Canopy Illumination Lamps (Standby Light)

Removing the Acrylic Panel

1. Take the socket head screwdriver (29/2).
2. Turn the hexagon socket bolt (29/1) at the side of the handle plate using the socket head screwdriver.
3. Leave the socket head screwdriver in the bolt.
The acrylic panel falls with its front long side onto the handle of the socket head screwdriver.
4. Remove the socket head screwdriver and lift the acrylic panel out of the rear longitudinal groove.

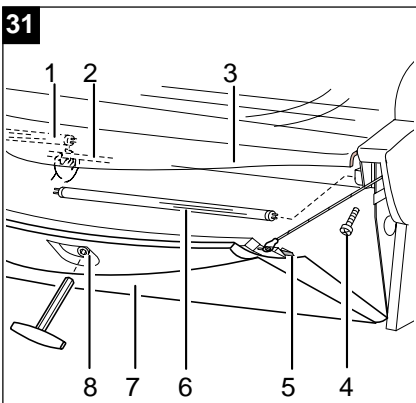


Exchanging the Lamp

1. Remove the sunlamp behind the front bracket (30/1).
The two illumination lamps (30/2) are located between the sunlamps and the BREEZE nozzle.
2. Exchange the illumination lamp (see Section 6.3.1).
3. Fit the sunlamps.

Fitting the Acrylic Panel

1. Slide the acrylic panel into the longitudinal groove (29/5) according to the screen printing.
2. Tilt the acrylic panel (29/4) towards the canopy.
The three bolts of the acrylic panel snap in place and the acrylic panel is secured firmly in position.



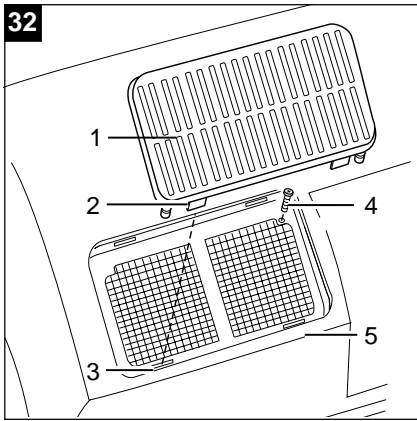
• Bed Illumination Lamp (FLOORLIGHT)

Removing the Large Covering Panel in Front of the Base.

1. Take the socket head screwdriver.
2. Turn the hexagon socket bolt (31/8) in the center of the large covering panel.
The bolts (31/5) are released from the bracket of the base casing.
3. Move the covering panel (31/7) forwards.

Exchanging the Lamp

1. Look under the front edge of the bed panel (31/3).
This is where the illumination lamps (31/1) and (31/6) are installed.
2. Exchange the illumination lamps (see Chapter 6.3.1).



Fitting the Large Covering Panel in Front of the Base

1. Move the large covering panel (31/7) towards the base until it touches the base. The bolts snap into place.

6.3.4 Canopy Effect Light

Removing the Small Canopy Covering Panel

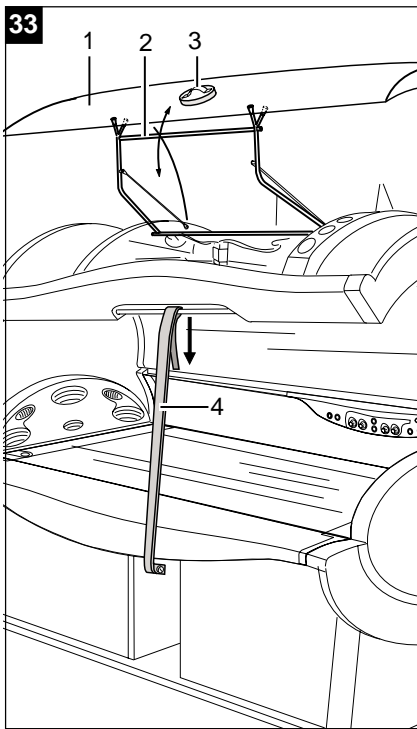
1. Stand behind the unit.
2. Push the small covering panel (32/1) towards the center of the unit.
3. Unclip the brackets on the back of the small covering panel (32/2) out of the recesses of the large covering panel (32/3).
4. Lift away the small covering panel.
5. Also remove the second small covering panel.

Lifting the Large Canopy Covering Panel

1. Unscrew the 2 screws (32/4).
2. Remove the large covering panel in front of the base.
3. Press down the canopy and secure it in the lowest position (important) using the retaining strap (33/4).
4. Attach the sucker (33/3) to the covering panel (33/1) and tilt the panel upwards until the long side slides out of the guide of the shade.
5. Tilt the covering panel up a little and pull both cables out of the printed circuit board, located on the inner side of the covering panel behind the display and the control knobs.
6. Adjust the covering panel in its open position using the retaining clip (33/2).

Exchanging the Effect Light

1. Only hold the defective lamp (34/3) by the base (34/2) and pull it out of the holder (34/1).
2. Remove the lamp from the fixing point (34/4).
3. Clean the reflector.
4. Fit the new lamp in the holder and secure it in its fixing point.
5. Fit the large and both small covering panels on the canopy. Remember to insert the cables.



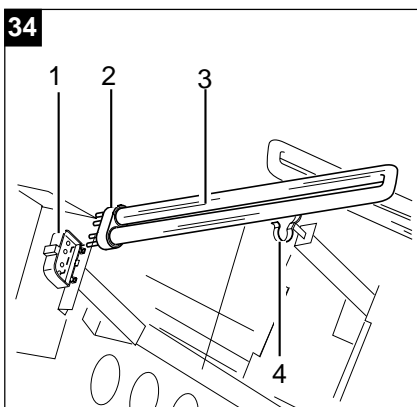
6.3.5 Logo Lighting

Removing the Small Canopy Covering Panel

1. Stand behind the unit.
2. Push the small covering panel (32/1) towards the center of the unit.
3. Unclip the brackets on the back of the small covering panel (32/2) out of the recesses of the large covering panel (32/3).
4. Lift away the small covering panel.
5. Also remove the second small covering panel.

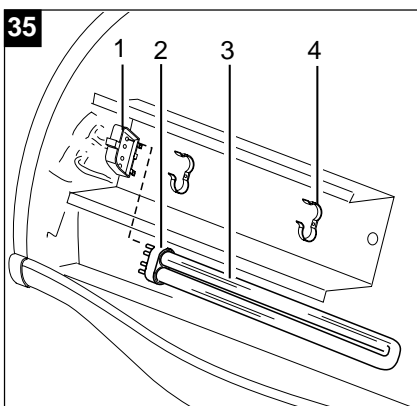
Removing the Large Canopy Covering Panel

1. Unscrew the 2 screws (32/4).
2. Remove the large covering panel in front of the base.
3. Press down the canopy and secure it in the lowest position (important) using the retaining strap (33/4).
4. Attach the sucker (33/3) to the covering panel (33/1) and tilt the panel upwards until the long side slides out of the guide of the shade.
5. Tilt the covering panel up a little and pull both cables out of the printed circuit board, located on the inner side of the covering panel behind the display and the control knobs.
6. Adjust the covering panel in its open position using the retaining clip (33/).



Exchanging the Lamp

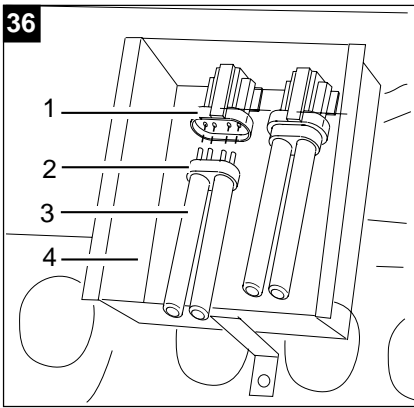
1. Only hold the defective lamp (35/3) by the base (35/2) and pull it out of the holder (35/1).
2. Clean the reflector.
3. Fit the new lamp in the holder and secure it again in the fixing point.
4. Install the large and two small covering panels on the canopy. Remember to insert the cables.



6.3.6 Illuminated uwe Logo in the Center of the Canopy

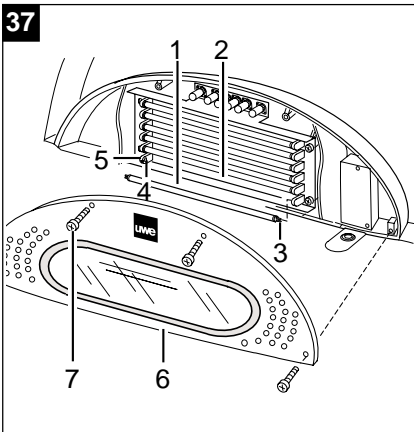
Removing the Small Canopy Covering Panel

1. Stand behind the unit.
2. Push the small covering panel (32/1) towards the center of the unit.
3. Unclip the brackets on the back of the small covering panel (32/2) out of the recesses of the large covering panel (32/3).
4. Lift away the small covering panel.
5. Also remove the second small covering panel.



Removing the Large Canopy Covering Panel

1. Unscrew the 2 screws (32/4).
2. Remove the large covering panel in front of the base.
3. Press down the canopy and secure it in the lowest position (important) using the retaining strap (33/4).
4. Attach the sucker (33/3) to the covering panel (33/1) and tilt the panel upwards until the long side slides out of the guide of the shade.
5. Tilt the covering panel up a little and pull both cables out of the printed circuit board, located on the inner side of the covering panel behind the display and the control knobs.
6. Adjust the covering panel in its open position using the retaining clip (33/2).



Exchanging the Lamp

1. Only hold the defective lamp (36/3) by the base (36/2) and pull it out of the holder (36/1).
2. Clean the reflector (36/4).
5. Fit the new lamp in the holder.
6. Install the large and two small covering panels on the canopy. Remember to insert the cables.

6.4 Shoulder Tanner UPP (CPS unit only)

Exchanging the UPP Lamps in the Shoulder Tanner Dismantling the Acrylic Panel of the Shoulder Tanner

1. Unscrew the 4 recessed head screws (37/7).
2. Remove the acrylic panel (37/6).

Exchanging the UPP Lamp

1. Turn the lamp (37/1) in either direction so that one contact pin (37/3) appears in the groove of the holder which is open at the front (37/4).
2. Remove the lamp by pulling forwards.
3. Hold the new lamp horizontal so that the contact pins (37/3) are vertical one above the other.
4. Insert the lamp into the groove which is open at the front (37/4). Tilt the lamp so that one contact pin fits securely in the socket of the holder.
5. Turn the lamp so that the second contact pin clips into the other socket.

Cleaning the Reflector

1. Clean the reflector (37/2) with a clean cloth soaked in alcohol.

Assembling the Acrylic Panel of the Shoulder Tanner

1. Fit the acrylic panel (37/6).
2. Screw in the 4 recessed head screws (37/7).

6.5 Exchanging the Filter Mats

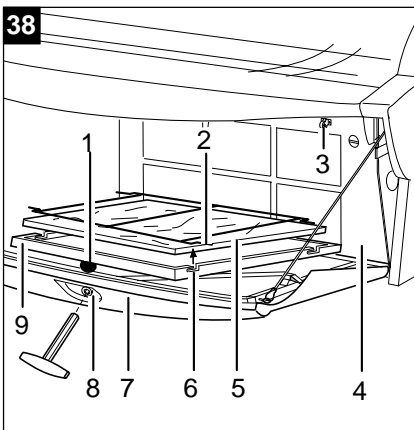
The air used to cool the unit is passed over micro-filter mats as it enters the unit. These mats filter out fluff, hair, dust particles, etc. to minimize the need for cleaning internal parts such as lamps. These filtered particles block the filter after long-term use and reduce the cooling effect of the unit. Therefore, you should renew the filter mats from time to time to prevent the unit from overheating. How frequently you should change the filter mats depends on the operating time and amount of dirt.



Only install original filter mats obtained from your specialist dealer or the unit manufacturer.

Function

1. Check the filters after every 200 operating hours.



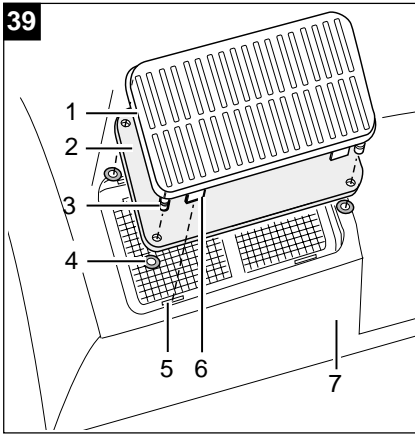
6.5.1 Filter mats in the Base Casing

Removing the Large Covering Panel in Front of the Base.

1. Take the socket head screwdriver.
2. Turn the hexagon socket bolt (38/7) in the center of the large covering panel. The bolts are unscrewed from the bracket of the base casing.
3. Remove the covering panel (38/6) from the front.

Exchanging the Filter Mats

1. Pull the filter inner frame (38/9) forwards using the ball handle (38/1).
2. Remove the wire lattice (38/2) on the inner side of the filter frame.
3. Replace the filter matt (38/5).
4. Install the wire lattice (38/2).
5. Hook the filter inner frame in at the bottom and press it against the filter frame (38/4).
6. Do the same with the other 2 filter inner frames (38/9).



Fitting the Large Covering Panel in Front of the Base

1. Move the large covering panel (38/6) towards the base until it touches the base. The bolts snap into place.

6.5.2 Filter Mats in the Canopy

Removing the Small Canopy Covering Panel

1. Stand behind the unit.
2. Push the small covering panel (39/1) towards the center of the unit.
3. Unclip the brackets on the back of the small covering panel (39/6) out of the recesses of the large covering panel (39/5).
4. Lift away the small covering panel.
5. Do the same with the second small covering panel.

Exchanging the Filter Mats

1. Remove the rubber ring (39/4) from the four bolts (39/3) of the small covering panel.
2. Pull out the filter matt (39/2) over the bolts.
3. Install the new filter mat.
4. Secure the new filter mat in place with a rubber ring (39/4) over each bolt (39/3).

Fitting the Small Canopy Covering Panel

1. Clip the brackets (39/6) on the back of the small covering panel into the recesses (39/5) of the large covering panel.
2. Lower the covering panel and guide it into the opposite brackets.
3. Do the same with the second small covering panel.

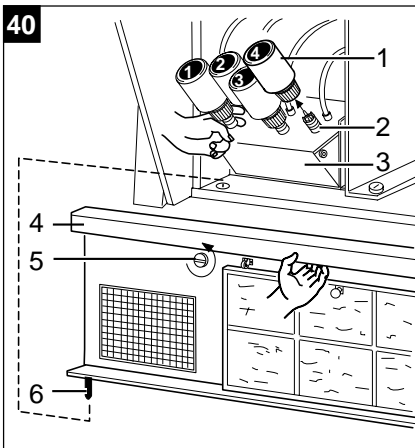
6.6 Stay in the Retaining Brackets

The canopy cannot be lowered again if the stay activates.



Please contact your uwe Customer Service.

Warning



6.7 Exchanging the AROMA Containers



Always unplug the unit from the mains before exchanging the AROMA containers.

Function

Removing the Large Covering Panel in Front of the Base.

1. Take the socket head screwdriver.
2. Turn the hexagon socket bolt in the center of the large base covering panel. The bolts are unscrewed from the bracket of the base casing.
3. Remove the covering panel from the front.

Removing the Left Filter Frame

1. Turn the slots in the bolts (40/5) to the horizontal position.
2. Hold the filter frame by the handle (40/4).
3. Lift the filter frame with its pilot pins out of the drilled holes.
4. Guide the filter frame downwards and out.

Exchanging the AROMA Containers

1. Tip the container holder (40/3) with the containers forwards.
2. Unscrew the AROMA container (40/1) anticlockwise.
3. Do the same with all four containers.
4. Take the AROMA container and first press the container onto the level tube (40/2).
5. Turn the container clockwise on the level pipe. Ensure that you tighten the container properly.



Warning! Pay attention to the order of the containers!

Order the containers from left to right, numbers 1 to 4:

Container 1: ANTI-STRESS

Container 2: GLADE

Container 3: ATMOS

Container 4: GARDEN.

Function

6. Tip the holder (40/3) back to its original position.

Inserting the Filter Frame

1. Hold the filter frame by the handle (40/4).
2. Move the handle under the front edge of the bed.
3. Insert the filter frame with pilot pins into the drilled holes of the base.
4. Swing the filter frame with the handle towards the base.
5. Turn the slot of the bolts (40/5) to the vertical position.

Fitting the Large Covering Panel in Front of the Base

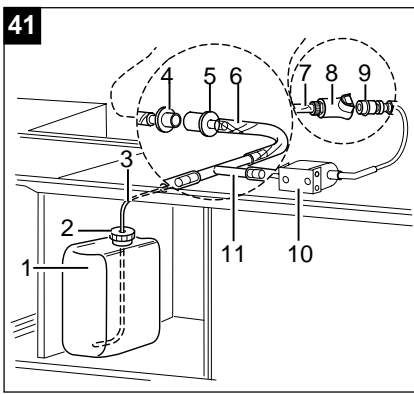
1. Tilt the large covering panel towards the base. The bolts snap into place.

6.8 Exchanging the BREEZE Module

For health reasons, regular tap water or only distilled water must not be used. Always use the water provided by UWE in the original water canister - this water is distilled three times and is sterile.

Removing the Large Covering Panel in Front of the Base.

1. Take the socket head screwdriver.
2. Turn the hexagon socket bolt in the center of the large base covering panel.
The bolts are unscrewed from the bracket of the base casing.
3. Remove the covering panel from the front.



Changing the Water Canister

1. Pull the silicone hose (41/3) out of the empty canister.
2. Unscrew the closed lid of the full canister and screw the cover (41/2) with the hole and grommet from the empty canister onto the full one.
3. Push the hose (41/3) through the hole of the new canister until it touches the bottom.
4. Place the canister in its recess in the base.



Warning! You must now bleed the BREEZE system!

Warning

5. Enter Service Menu 2 (Chapter 5.1) to bleed the system.
6. In the Bleed BREEZE position, press the BINGO button (max. 1 minute) until the nozzle produces a fine, cone-shaped spray of water.



Wait 1 minute before restarting the pump of the BREEZE system.

Function

Fitting the Large Covering Panel in Front of the Base

1. Tilt the large covering panel towards the base.
The bolts snap into place.

7 TIPS FOR RECTIFYING SMALLER FAULTS

Unplug the unit before you begin servicing and repair work.

Repairs must only be carried out by uwe or authorized persons.

Safety features must not be disassembled or put out of operation.

The unit must be tested to DIN VDE 0701 and a report written (with carbon copy) after all repair work has been completed. The operator must keep a copy of the report and send a copy to uwe Customer Services.

- **Dark spots at the ends of the lamps**

Dark spots which appear at the ends of the lamps when switched off have no detrimental effect on the performance of the unit. Exchange the starter as a precautionary measure.

- **One or several lamps not lit (change starter)**

Changing the Starter

1. Remove the appropriate acrylic panel.
2. Check if the lamp is inserted correctly.
3. Check the starter is inserted correctly.
4. Remove the starter of the lamp (see Table 2) which does not light by turning it anticlockwise and then reinsert by turning clockwise.
5. If the lamp still does not light, try inserting the starter of an intact lamp.
6. If this does not work, you must check the lamp.
7. Insert the lamp which does not light into a lamp holder where the lamp functions properly. If the lamp does not light, the lamp is faulty and must be exchanged. If it does light up, however, there is an electrical fault with the unit.



Inspection by uwe or an inspection center named by uwe.

Function

	Starter position	Action
Canopy	Top of canopy	Remove covering panel
Side tanner U-P-P	On lower bracket of side tanner	Pull out the Bed
Side tanner Remove sunlamp	At lamp holder	Remove acrylic panel
Bed	At top of lamp holder	Remove acrylic panel
Illumination lamp	At lamp holder	

Table 2

The tanning canopy or tanning bed becomes too hot

1. Check if the air filters (filter mats) are blocked.
2. With direct air return, ensure that the warmed cooling air is carried away without problem. The air must not be jammed in the hose or ventilation duct since this can cause the unit to overheat. The exhaust air hose must be laid without bends.



Inspection by uwe or an inspection center named by uwe.

Function

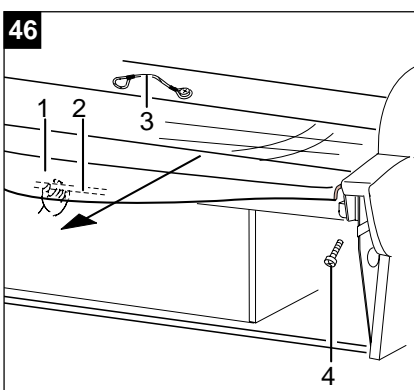
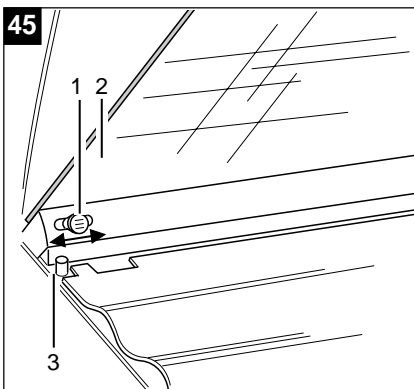
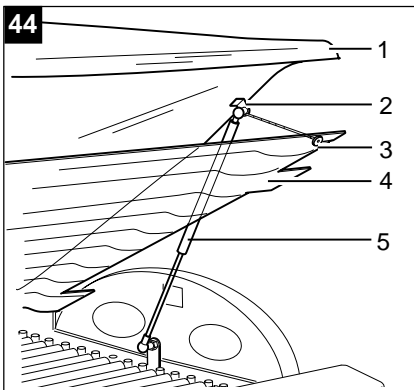
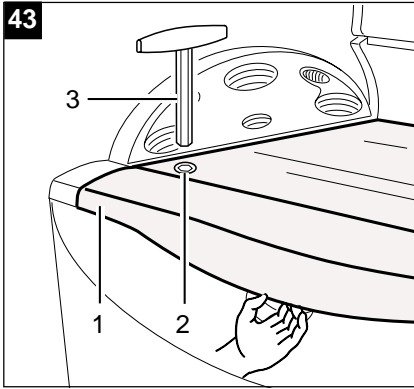
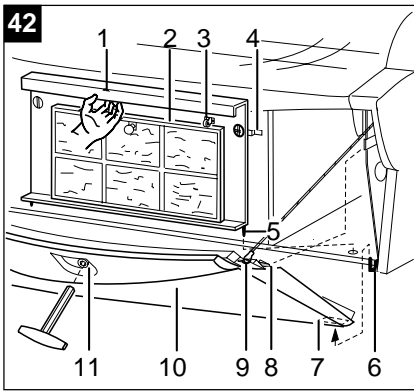
8 DISPOSAL

Lamp

Fluorescent lamps, high-pressure lamps, U-P-P lamps and illumination lamps are hazardous waste. They cannot be disposed of with domestic waste. The local authorities provide information with regard to disposal of these lamps.

Unit

Faulty units should be disposed of according to local regulations.



INFORMATION FOR THE ENGINEER AND UWE-SPECIALIST

9 INSTALLATION OF THE PROFI UNIT

The unit may only be set up by uwe personnel or authorized persons. At least two people are required to set up the unit. The rooms used to set up the units must be well ventilated or there is a danger of the unit overheating.

9.1 State on Delivery and Place of Installation

The unit is transported and delivered pre-assembled on a pallet. The unit is firmly secured on the pallet with straps and wrapped in protective wrap. The pallet must be unloaded on-site using a hydraulic ramp or fork-lift truck. The unit must be dismantled on the pallet and then reassembled at the installation site. All units are intended solely for tanning indoors. The unit must only be operated in areas free from the danger of explosions and in dry rooms. The rooms must be well-ventilated.

9.2 Assembly and Installation

1. Remove the straps and packaging wrap.

9.2.1 Disassembling the Bed

Removing the Large Covering Panel in Front of the Base.

1. Take the socket head screwdriver.
2. Turn the hexagon socket bolt (42/11) in the center of the large base covering panel.
The bolts are unscrewed from the bracket of the base casing.
3. Remove the covering panel (42/10) from the front.
4. Unhook the hooks (42/9) on both sides of the large covering panel.
5. Lift the covering panel over the recesses (42/6) and carry it to the installation site.

Removing Both Filter Frames

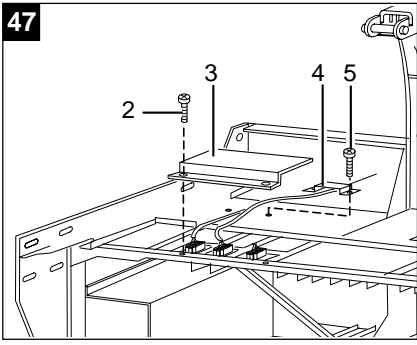
1. Turn the slots in the bolts (42/4) to the horizontal position.
2. Hold the filter frame by the handle (42/1).
3. Lift the filter frame with its pilot pins (42/5) out of the drilled holes.
4. Place the filter frame with its pilot pins on the floor.
5. Guide the filter frame downwards and out.
6. Dismantle the second filter frame in the same way.
7. Take both filter frames to the installation site.

Disassembling the Bed Panel of the Bed

1. Push up the canopy and remove the head cushioning and various individual parts.
2. Take the socket head screwdriver provided (43/3).
3. Using the socket head screwdriver, turn the bolt (43/2) of the bed panel (43/1).
4. Do the same with the second bolt.
5. Hold the bed panel (44/1) along the front long side and lift the bed panel all the way up. The gas pressure spring (44/5) holds the bed panel and the corrugated acrylic panel (44/4) under the bed panel in this open position.
5. Detach the corrugated bed panel (44/4) from the retaining cables (44/3). The corrugated acrylic panel is now free on the bed and can be removed if necessary to reduce the weight of the unit.
6. Unscrew the bolt (45/1) at the rear edge of the bed panel (45/2) and push the bed panel towards the center of the unit.
7. Remove the gas pressure spring at the top fixing point (44/2).
The bed panel can now be removed.

Pull out the Bed

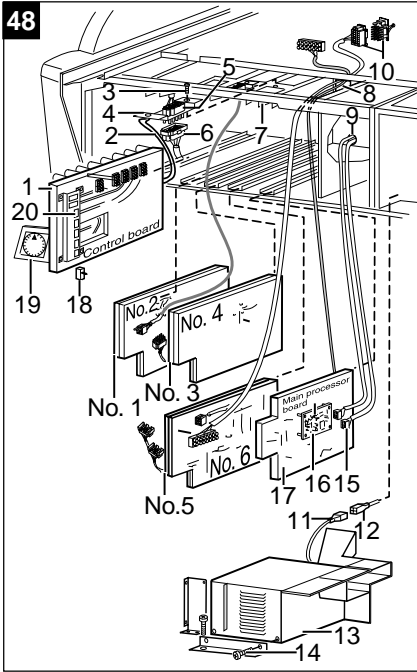
1. Unscrew the two screws 6 x 16 (46/4) on the underside of the bed.
2. Pull out the bed using the handle (46/2) as far as it will go.
3. Loosen the retaining cord (46/3) on one side on the back of the bed.
Check that the plug connection between the bed and the bed board (No. 6) is separated.
4. Pull out the bed again and lift up (the bed should be lifted by two people.)
5. Carry the bed to the installation site.



9.2.2 Disassembling Boards and Air Conditioning Unit (if installed)

Separating the Plug-In Connections

1. Remove the bracket (47/3) and holder (47/4) over the cables.
 2. Pull the sockets (48/6) off the plugs (48/5).
 3. Unscrew the screws (48/3).
 4. Lift and remove the holders (48/4) and the plugs (48/5).
 5. Pull the plugs (48/18) out of the sockets (40/20) which are fixed on the control board.
- Do not disconnect the power cable from the control board (48/1).**
6. Separate all other plug connections between the unit and boards.
 7. Remove the cable (48/15) from the main processor board (48/16).



Dismantling the Boards and Air Conditioning Unit (if applicable)

1. Remove the retaining frame (48/14) and sealing plate in front of the air conditioning unit.
2. Pull out the air conditioning unit (48/13) a little.
3. Disconnect the 3-pin coupling (48/11) of the air-conditioning unit from the coupling (48/12) coming from the terminal in the right side of the base.
4. Pull the 6 boards (nos. 1-6) and the assembly plate with the main computer board (48/17) out of the slots.



The mains cable (49/5) is guided out of the back of the base by means of a pressure screw.

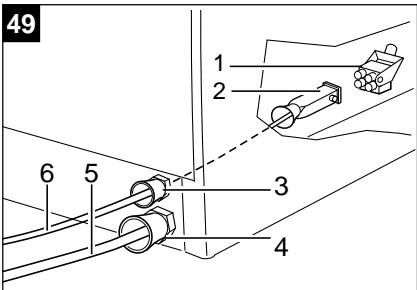
Function

5. Slacken the retaining clip of the large pressure screw (49/4) on the back of the unit.
6. Thread the mains cable (49/5) into the unit.
7. Remove the control board (48/1) and mains cable.
8. Slacken the retaining clip on the small pressure screw (49/3).
9. Pull the coding cable (49/6) through into the unit.

9.2.3 Disassembling the Side Tanner

Removing the Acrylic Panel

1. Lift up the interior operating panel (50/5).
The operating panel locks in position.
2. Take the socket head screwdriver and turn the three bolts (50/2).
3. Tilt the acrylic panel (50/3) forwards onto the long side.
4. Lift the acrylic panel out of the longitudinal groove (50/4).



Disassembling the Side Tanner

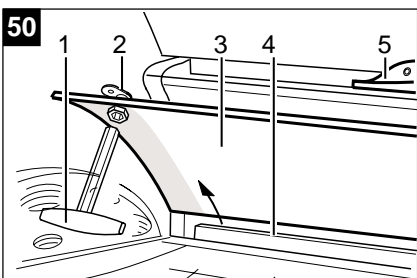
1. Remove the sunlamps (51/4) of the side tanner in the area near the body.
2. For XTT/CTT unit:



Dismantle all lamps and the frame on which the lamp holders are mounted at the bottom of the unit and tilt it inwards.

Function

3. Loosen the 4 screws 8 x 15 (51/2) with the washers (51/3) which secure the side tanner to the brackets of the frame holders.
4. Carefully guide the side tanner between the side parts and carry it to the installation site.



9.2.4 Disassembling the Exhaust Unit

Loosening the Expansion Bellows

1. Loosen the spring clips (52/2) secured to the lower side of the expansion bellows.
2. Push the expansion bellows upwards.

Dismantling the Air Duct

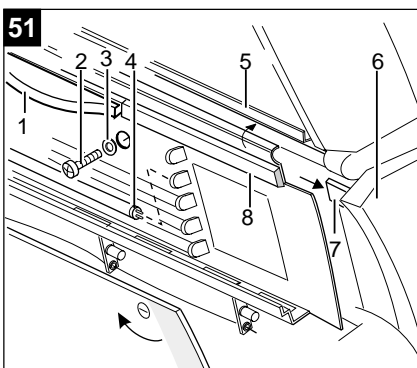
1. Loosen the 3 accessible screws (52/3).
2. Remove the air duct (52/4).

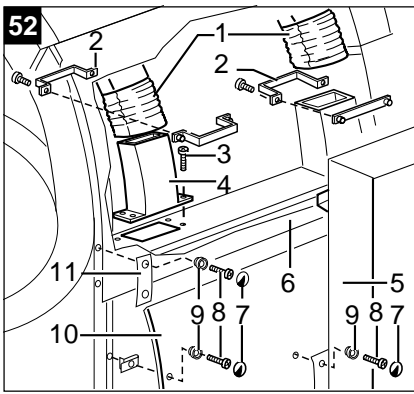
Dismantling the Exhaust Chimney

1. Remove the covers (52/7) and unscrew the screws (52/8) with inserts (52/9).
2. Carry the exhaust chimney (52/5) to the desired place of installation.

Dismantle the cover plate and guide plates at the rear of the unit.

1. Remove the covers (52/7) and unscrew the screws (52/8) with inserts (52/9).
2. Carry the cover plate (52/10) to the desired place of installation.
3. Dismantle the two guide plates (52/11) for the louvre.





9.2.5 Dismantling the Casing

All the plastic casing parts of the base are fastened to the base with metric screws 6 x 20.

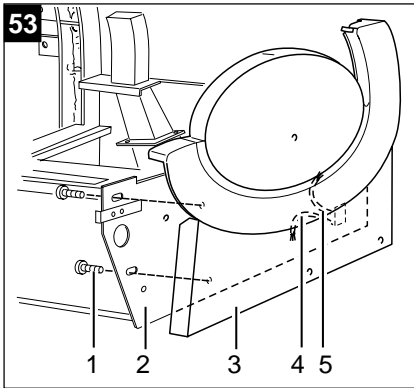
Disassembling the Base Casing

1. Disconnect the yellow cable (53/4) of the shoulder tanner and the cable (53/5) of the fan at the terminal on the right hand side at the back of the base.
2. Unscrew the 5 screws (53/1) from the base and remove the complete side section (53/3).
3. Remove the covering panel (54/3).
4. Reach through the opening and unscrew the 7 screws (54/2, 54/4) from the base and remove the complete side section (54/1).



Leave the cables for the BINGO loudspeaker, for example, attached to the relevant casing section.

Function



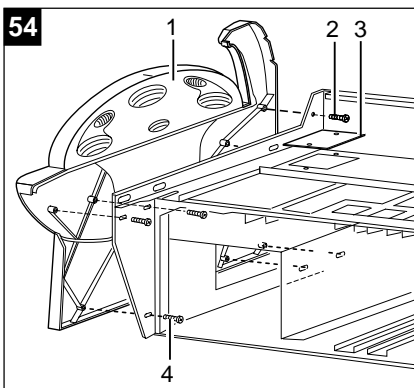
9.2.6 Disassembling the Canopy

Removing the Small Canopy Covering Panel

1. Stand behind the unit.
2. Push the small covering panel (55/1) towards the center of the unit.
3. Unclip the brackets on the back of the small covering panel (55/2) out of the recesses of the large covering panel (55/5).
3. Lift away the small covering panel.
4. Do the same with the second small covering panel.

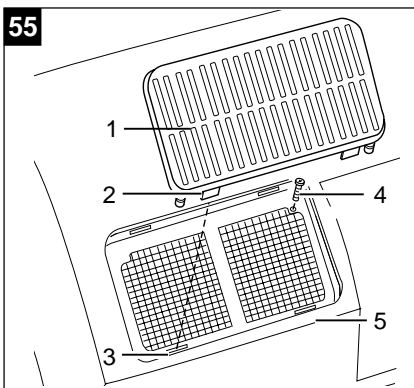
Removing the Large Canopy Covering Panel

1. Unscrew the 2 screws (55/4).
2. Attach the sucker (56/2) to the covering panel (56/1) and tilt the panel upwards until the long side slides out of the guide of the shade.
3. Detach both cables from the board, located on the inner side of the cover behind the display and control knobs.
4. Lift the covering panel and remove it.
5. Dismantle the louvre (52/6) together with its mounting rail (6 screws).



Removing the Acrylic Panel

1. Take the socket head screwdriver.
2. Using the socket head screwdriver, turn the hexagon socket bolt (57/1), which is located next to the handle plate.
3. Leave the socket head screwdriver in the bolt.
4. The acrylic panel (57/4) falls with its front long side onto the handle of the socket head screwdriver.
5. Remove the socket head screwdriver and lift the acrylic panel out of the rear longitudinal groove (57/5).



Disconnecting the BREEZE Lines

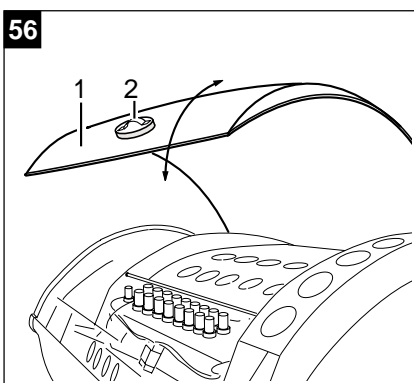
The BREEZE unit in the base is connected to the pump in the canopy by a black PA line (41/7) and to the nozzle in the canopy by a light silicone line (41/6).

1. Press the silver-colored slider of the coupler (41/8).
2. Pull out the plug (41/9).
3. Pull the two hose connectors (41/4, 41/5) apart.

Removing the Canopy

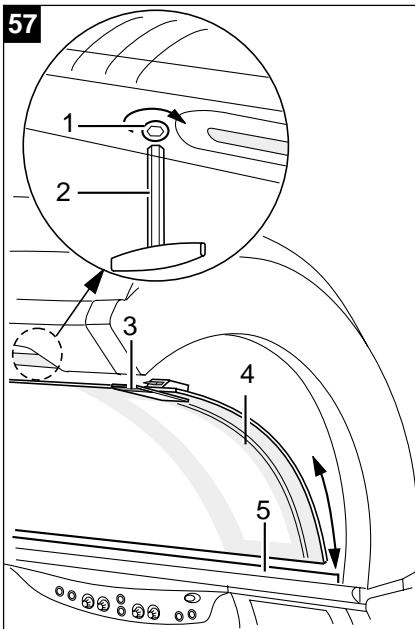
Some tips for easier canopy removal:

1. Press down the canopy.
2. Push a 7 mm diameter pin (58/8, part no. 260 551) through the slot in the mechanism (58/6) on each retaining bracket.



The 2 pins are assembly aids only and must be removed once the canopy is assembled.

Function



Next steps

3. Remove the nuts (58/10) on both sides and unscrew the threaded pin (58/11) until the tip no longer protrudes over the inner side of the bracket (58/12).
4. Unscrew the 8 socket head cap screws (58/1), 8 x 20, and washers.
5. Lift up the canopy over the retaining brackets (58/7).
6. Take the canopy to the place of installation.



Avoid damaging the aluminium panel (51/5) when placing the canopy on the floor.

Function

9.2.7 Dismantling the Base

Separating the Base Sections

The base casing consists of 2 sections which are held together by bolts.

1. Separate the plug connection (59/3, 59/4) between the right and left hand sections of the base.
2. Remove the 6 bolts 6.3 x 16 (59/8) with their lock washers (59/9).
3. Carry the 2 base sections to the place of installation.

Disassembling the Retaining Brackets

(if necessary due to shape of building)

1. Remove the bolts (59/5, 59/7) that are screwed into the retaining arms at the side and rear.
2. Remove the retaining brackets by lifting upwards.

9.2.8 Installing the Exhaust Unit

Installing the Exhaust Unit

1. Install the exhaust chimney (52/5) in the center and at the back of the tanning room.

9.2.9 Assembling the Base

Assembling the Base

1. Arrange both parts of the base in the tanning room as shown in Figure (59).
2. Connect the parts of the base using the 6 bolts 6.3 x 16 (59/8) and lock-washers (59/9).
3. Connect the plug connection (59/3, 59/4) between the right and left parts of the base.

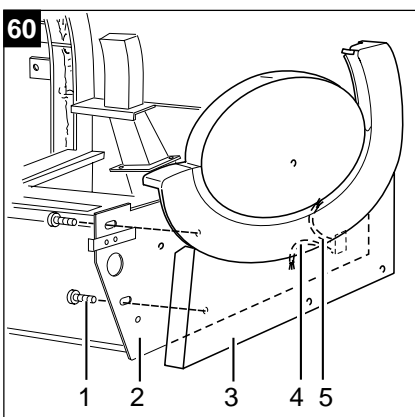
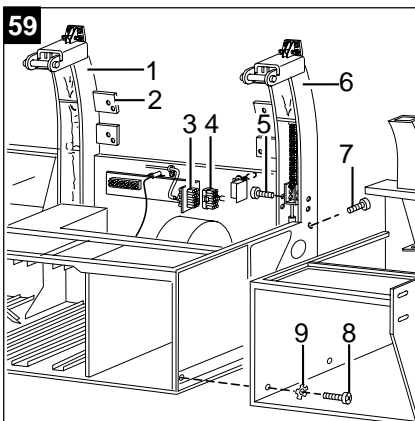
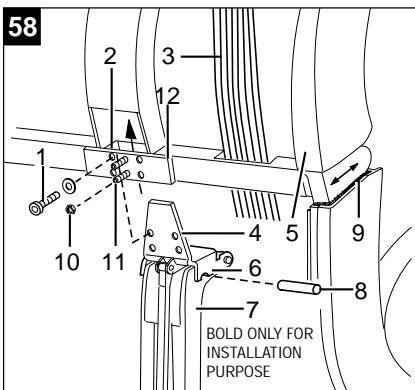
Assembling the Retaining Brackets (if disassembled)

1. Guide the retaining brackets (59/1, 59/6) from above into the appropriate slots of the base.
The retaining brackets (59/2) for the side tanner should face inwards.
2. Attach the retaining brackets from behind using 3 bolts M 10 x 16 (59/7) and from the side using 4 bolts M 10 x 10 (59/5).



Ensure that you screw in the short screws from the side so that the movement of the mechanism is not limited.

Warning



9.3 Assembling the Casing

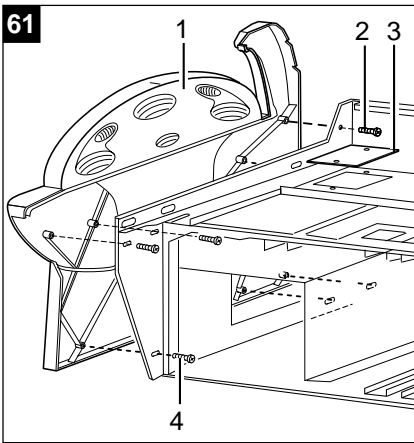


The plastic casing sections around the base are secured with metric screws 6 x 20 which are screwed in from inside the base.

Ensure that you insert the screws vertically and screw them in vertically.

Function

1. Pull the cable of the shoulder tanner (60/4) and the cable for the fan (60/5) in through the slot in the right wall of the base casing and connect the cables as shown on the wiring diagram.
2. Position the right side section (60/3) flush with the base and screw in the 5 screws (60/1) from inside the base.
3. Position the left side section (61/1) flush with the base and screw in the 7 screws from inside the base or through the slot of the covering plate (61/3).
4. Fit the covering plate (61/3).

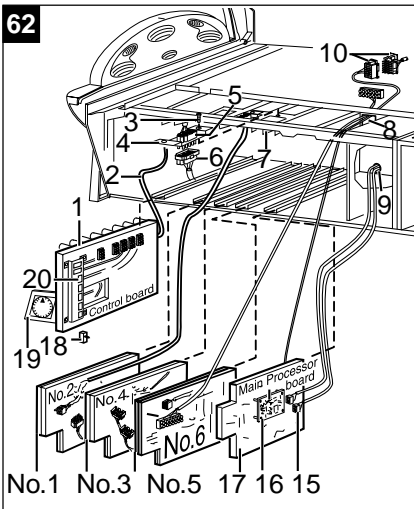


9.3.1 Assembling the Boards and Air Conditioning Unit

Inserting the Boards

The control board (62/1) has components on both sides.

1. Insert the control board in the left-hand slot. The capacitors and timer (62/19) point to the left.
 2. Thread the mains cable (64/5) through the pressure screw (64/4) and to the outside of the unit.
 3. Tighten the clip on the pressure screw (64/4).
 4. Check that the coding cable (64/6) is threaded through the pressure screw (64/3), that the clamp of the pressure screw is tightened and that the coding plug (64/2) is inserted and locked in the socket (64/1).
 5. Insert the boards numbered 1 - 6 into the slots according to the numbering from left to right (Figure 62).
- The slots in boards 1 - 6 must always be at the front lower corner.**
6. Insert the board (62/17) with the main processor board into the corresponding slot. The main processor board is on the right.
 7. Pull the 29-pin connector of the terminal at the rear left of the base forwards through the square opening (62/8) and plug the connector into the socket that is attached to the left side of the board (62/17).



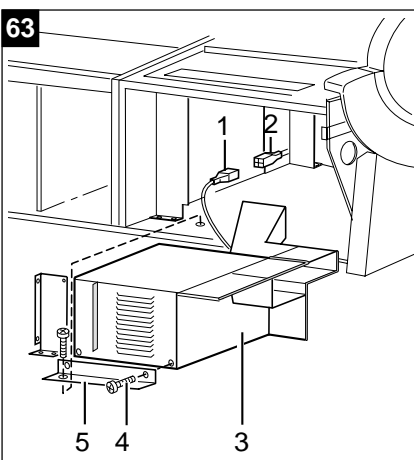
Inserting the Air Conditioning Unit (if available as an accessory)

1. Connect the 3-pin coupling (63/1) of the air-conditioning unit to the coupling (63/2) from the terminal in the right hand part of the base.
2. Push the air-conditioning unit all the way back into the recess and to the right until it touches the rubber seal.
3. Secure the air conditioning unit with the sealing plate and mounting bracket (63/5).

9.3.2 Assembling the Canopy

Fitting the Canopy

1. Lift the canopy.
2. Hold the canopy above the retaining brackets (65/7).
3. Insert the lugs (65/4) on the retaining brackets into the holes (65/2) of the canopy.



Take care not to damage the aluminium rail (67/5)!

Function

4. Screw in the four screws 8 x 20 (65/1) on each side with washers.



Ensure that the screws are tight.

Warning

5. Check the alignment of the canopy in relation to the side casing of the base. The black brush seal (65/9) of the base casing must gently touch the casing of the canopy (on both sides).

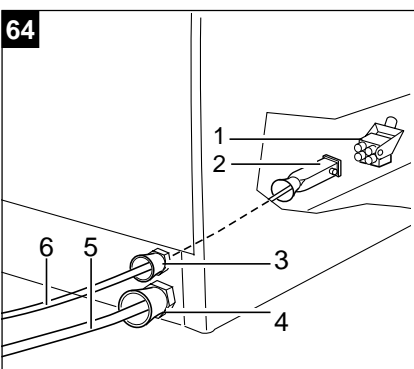
If this is not the case, please adjust the canopy on the appropriate side.

6. Unscrew the screws (65/1) a little to do this.
7. Using a wrench, screw in both threaded bolts M 8 x 25 (65/11) to move the canopy towards the back of the unit. Unscrew both threaded bolts M 8 x 25 (65/11) to move the canopy towards the front of the unit.
8. Screw the hexagon nuts M 8 (65/10) onto the threaded bolts (65/11) and tighten.
9. Tighten the 4 fixing bolts (65/1).



Ensure that the screws are tight.

Warning



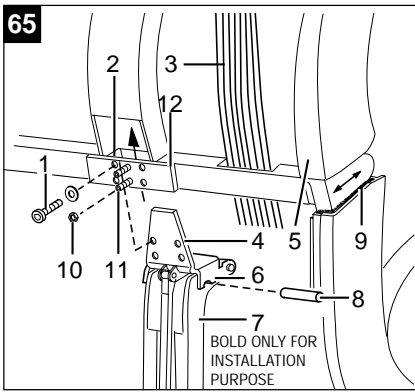
If you followed the previous mounting suggestion:

1. Press down the canopy.
2. Remove the 2 pins (65/8) that you pushed through the holes in the retaining bracket.

Next steps

Fitting the Air Duct

1. Fit the air duct (71/4).
2. Screw in the 3 accessible screws (71/3).



Fitting the Bellows

1. Pull the bellows down (71/1).
2. Fasten the expansion bellows to the air ducts the using the appropriate spring clips (71/2).

Pulling the Cables Through

1. Pull the canopy cables (65/3) through and down.
2. Attach the holders (62/4) with the plugs according to the numbering (connector X11 etc.) in the holes in the base using 2 screws each (62/3).
3. Pull the two cables (62/15) of the light panel down into the base through the round hole (diameter 30 cm) (62/9) in the base and plug the cable onto the central computer board.

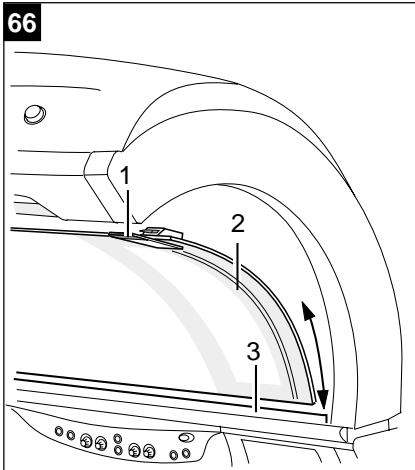
BREEZE

The BREEZE unit in the base is connected to the pump in the canopy by a black PA line (41/7) and to the nozzle in the canopy by a light silicone line (41/6).

1. Connect the coupler (41/8) and plug (41/9) together.
The coupler and plug must audibly engage.
2. Connect the plug connection (41/4, 41/5) of the light silicone line.

Fitting the Acrylic Panel

1. Position the acrylic panel in the longitudinal groove (66/3) according to the screen printing.
2. Tilt the acrylic panel (66/2) towards the canopy.
The three bolts (66/1) of the acrylic panel engage and the acrylic panel is locked in place.



9.3.3 Assembling the Side Tanner

Mounting the Side Tanner

The face section of the side tanner must be at the top.

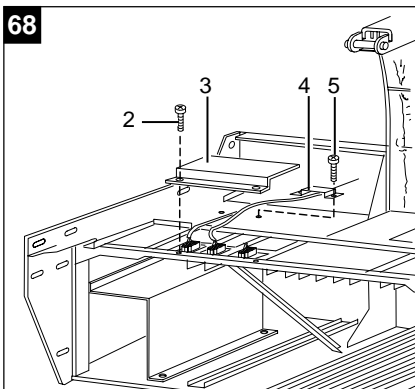
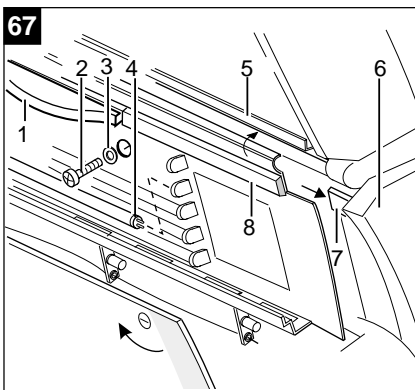
1. Lift up the operating panel (67/1).
The operating panel locks in position.
2. Slide the top of the side tanner into the side casing (67/6) until the edge of the side tanner (67/8) touches the bracket (67/7).
3. Fit the bottom of the side tanner to the unit.
4. Line up the 4 holes in the side tanner so that they are in alignment with the holes drilled in the 4 retaining brackets (59/2).
5. Screw in the 4 screws 8 x 15 (67/2) with washers (67/3, thick washer) from the inside of the tanning area.



Ensure that the screws are tight.

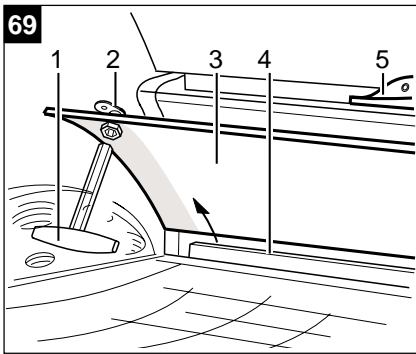
Warning

6. If you have dismantled the frame for the lamp holders at the bottom of the unit, replace and secure this now.
7. Fit the side tanner lamps (67/4).
8. Using the 2 screws (62/3), attach the connector to the bracket (62/4) of the side tanner in the corresponding recess (plug connection X13) of the base.
9. Attach the canopy cables (58/3) and the side tanner cable to the base using the cable tidy (68/4).
10. Fit the bracket (68/3) over the connections.
11. Pull the 2 cables of the interior operating panel through the round opening (62/9) in the base and connect the cables to the appropriate sockets of the main computer board (62/16).



Fitting the Acrylic Panel

1. Lift up the operating panel (69/5).
The operating panel locks in position.
2. Lift the acrylic panel according to the screen printing.
3. Insert the acrylic panel (69/3) into the longitudinal groove (69/5).
4. Tilt the acrylic panel towards the side tanner until it touches.
5. Turn back the 3 bolts (69/2) using the socket head screwdriver (69/1).
6. Lower the operating panel (69/5).
The operating panel locks in position.



9.3.4 Mounting the Covering Panels in the Canopy, Louvre and Exhaust Chimney

Mounting the Louvre

1. Secure the louvre (70/5) with its mounting rail (70/7) to the frame of the canopy from the back.

Mounting the Cover Plate

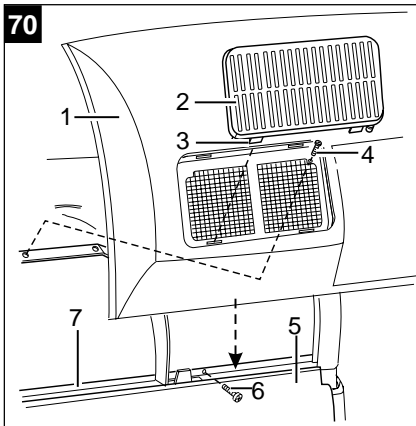
1. Secure the covering plate (71/10) to the rear corner casing sections using the inserts (71/9), screws (71/8) and covers (71/7).
2. Secure both guide brackets (71/11) for the louvre using the inserts (71/9), screws (71/8) and covers (71/7).

Mounting the Exhaust Chimney (71/5)

1. Mount the exhaust chimney (71/5) using the inserts (71/9), screws (71/8) and covers (71/7).

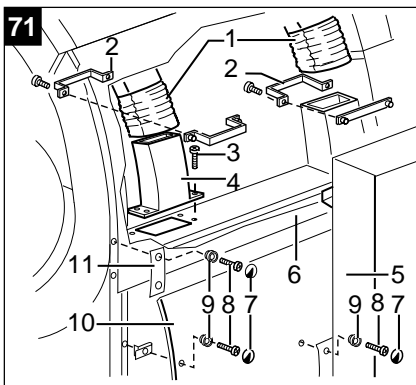
Mounting the Large Canopy Covering Panel

1. Stand in front of the unit and press the canopy down.
2. Move the canopy to the lowest position (unit closed) using the retaining strap secured next to the BREEZE canister. (Fasten strap to canopy handle).
3. Insert the rear long side of the covering panel into the longitudinal groove (70/7).
4. Press the covering panel backwards and insert the brackets of the covering panel into the recesses of the shade.
5. Place the covering panel on the canopy.
6. Screw in the 2 screws (70/4).



Fitting the Small Canopy Covering Panel

1. Stand in front of the unit.
2. Take hold of the small covering panel (70/2).
3. Clip the brackets (70/3) on the back of the small covering panel into the recesses of the large covering panel (70/1).
4. Lower the covering panel and insert the brackets on the opposite side of the panel.
5. Do the same with the second small covering panel.
6. Remove the retaining strap and stow it away again next to the BREEZE canister.



9.3.5 Connecting the Plug-In Connections

1. Connect all plug connections except the connection between the bed and the bed board (72/10).
2. The plug connections can be found in Table 3.
3. As you connect the plug connections, pull the plug connections along the front slots of the boards.

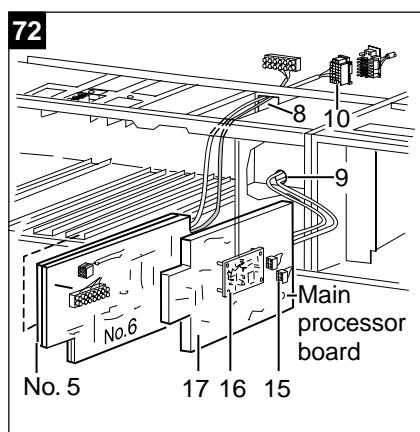
		Steuerungs- platte No.3	Board No.3	Canopy	Side tanner	Bed	Terminal in base, right	Speakers	operating panel Interior	operating panel Exterior	Tempera- ture sensor	source speaker	Audio BINGO	Terminal in base, left
Board No. 1	29-pin B 18-pin S	18-pin B		29-pin S										
Board No. 2	29-pin B 9-pin S	18-pin B		29-pin S										
Board No. 3	29-pin B 18-pin S	18-pin B		29-pin S										
Board No. 4	29-pin. B 9-pol. S		9-pin B	29-pin S										
Board No. 5	29-pin B 18-pin S	18-pin B			29-pin S									
Board Nr. 6	29-pin B 9-pin S					29-pin S								
Board No. 7	29-pin S 29-pin S 6-pin V 29-pin B (on bracket)	29-pin B 29-pin B							6-pin V					24-pin S
Central computer on No. 7	20-pin B 26-pin S 3-pin V 2-pin V 2x2 pin V								20-pin V	26-pin V 3-pin S	2-pin V	2x2 pol.V		
Verstärker auf No. 7	2x2 pinV						2x2 pin V							
BINGO Amplifier on No. 7	2-pin V											2 pin V		
Air-conditioning unit	4-pin V						4-pin B							
Control board	29-pin B (on bracket)													29-pin S
Rear terminal	18-pin B						18-pin S							
plug connection Flap motor	4-pin V													4-pin V

Table 3

B Female mount base

S Male mount base

V plug connection



9.3.6 Assembling the Bed

Inserting the Bed

The lip must be to the front.

1. Pull the socket (72/10) of the bed board (no. 6) backwards through the square opening (72/8) in the base.
2. Position the bed so that its back third is resting on the base.



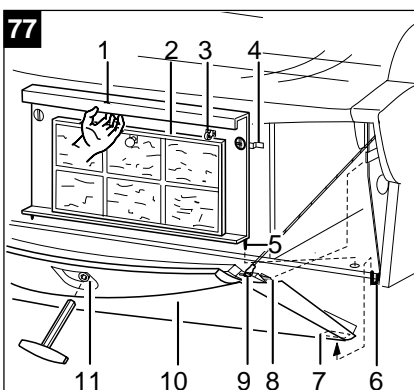
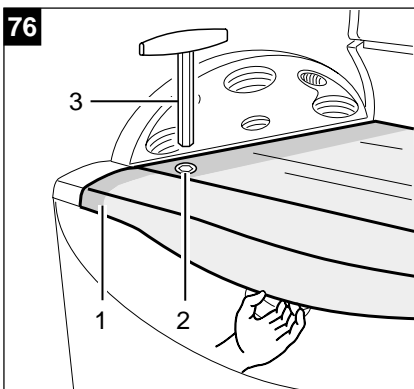
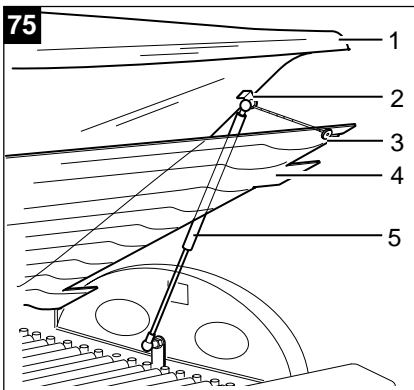
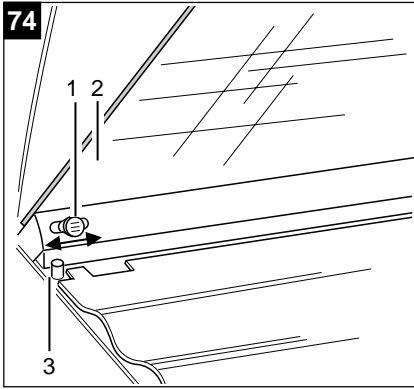
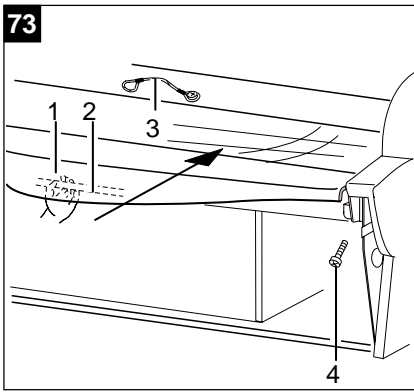
Warning:

Take care not to trap the bed cable. The cable must drop into the base.

Warning

Carefully push in the bed. Do not damage the ventilation grill of the front section at the foot of the bed.

3. Using the handle (73/2), push the whole bed back a little as if you were pushing in a drawer.
4. Attach the retaining cord (73/3) to the back of the bed.
5. Plug the 29-pin cable and plug of the bed into the 29-pin socket of the bed board (72/10).
6. Push the bed back as far as it will go.
7. Tighten down the 2 screws 6 x 16 (73/4).
8. Check that all plug-in modules are pushed all the way back and that all plug connections are joined.



Fitting the Bed Panel

Fitting the Acrylic Panels

1. Position the bed panel (74/2) on the bed so that it has a positive fit.
2. Hook the bed panel with the pins of the bolt (74/1) in the drill holes of the bed frame.
3. Lock the pins by pushing the bolts towards the front part and tightening them.
4. Attach the gas pressure springs (75/5) to the bed panel (75/1) on both sides in the top fixing point.
5. If you removed the corrugated bed panel, fit the corrugated bed panel on the bed so that the adjusting bolts (74/3) fit in the recesses.
6. Lift the corrugated bed panel and attach it in the retaining cables (75/3).
7. Hold the bed panel (76/1) along the front long side and lower it onto the bed.
8. Turn both bolts (76/2) using the socket head screwdriver so that the bed panel is secured firmly in place.

Inserting the Filter Frame

1. Hold the filter frame by the handle (77/1).
2. Move the handle under the foam-covered front edge of the bed.
3. Insert the filter frame with pilot pins (77/5) into the drilled holes in the base.
4. Swing the filter frame with the handle towards the base.
5. Turn the slot of the bolts (77/4) to the vertical position.
6. Mount the second filter frame in the same way.

Fitting the Large Covering Panel in Front of the Base

1. Insert the large covering panel (77/10) with its recesses (77/7) in the retainers (77/6) of the base.
2. Hook the hooks (77/9) on both sides into the large covering panel.
3. Move the large covering panel (77/10) towards the base until it touches the base.
The bolts snap into place.

9.4 Connecting the Exhaust

Warm Air Recirculation

You can close (max.) or open (min.) the exhaust air flap in the exhaust duct (71/5) or select a temperature for inside the tanning cabin of the unit.

1. Please read Chapter 5.1



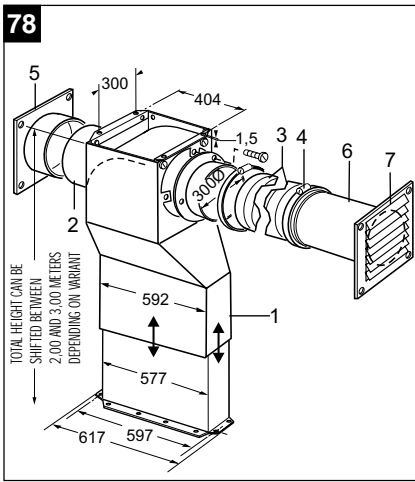
Warning! Important Information!

The heated cooling air must be extracted from the exhaust duct (71/5) of the unit via a direct air outlet (central exhaust duct). uwe recommends a special exhaust chimney (78/1, accessory) for this purpose.

Exhaust Chimney (Accessory)

The air can be taken directly from the exhaust duct of the unit to the tanning room roof by a special exhaust chimney (78/1) which can be ordered from uwe. The 2 main sections of the exhaust chimney are telescopic so that the height of the exhaust chimney can be adjusted to the height of your room. An exhaust hose or cap can be fitted to the exhaust chimney using adapters to suit your space requirements.

Find out more about these accessories!



Attaching the Exhaust Chimney (Accessory)

1. Check if a covering grid plate is installed on the exhaust duct (79/3) of the unit. If so, remove the covering grid plate.
2. Fasten the exhaust chimney to the exhaust duct (79/3) of the unit using the bolts.
3. Extend the top part of the exhaust chimney (79/2) according to the height of the room where you are installing the unit.
4. Fasten the exhaust chimney to the wall or ceiling of the room using the bolts (79/1).

Other Accessories

- (78/1) Exhaust duct with distribution housing, cover, and hose connection pipes, can be adapted for ceiling heights from 2.00 m - 2.33 m or 2.33 m - 3.00 m
- (78/2) Hose connector
- (78/3) Exhaust hose, diameter 300 mm
- (78/4) Hose clip
- (78/5) Connector
- (78/6) Wall gland
- (78/7) External shutter, automatic opening

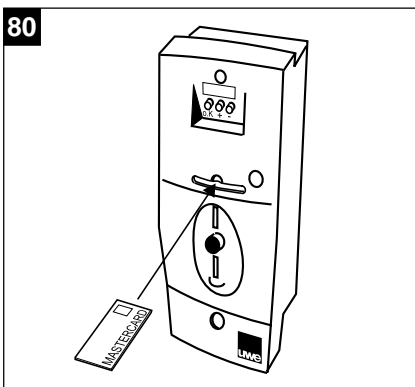
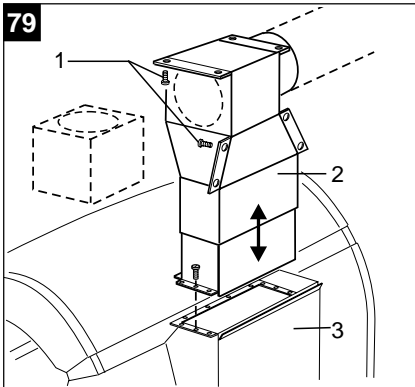


Further information about effective ventilation can be found in the „VENTILATION TIPS“ catalogue available either from us or your specialist dealer.

Warning Warning, Important Information! Please Read, Danger of Overheating!

If the exhaust air is discharged to the atmosphere via a ventilation shaft, ensure minimum flow resistance inside the shaft. Fit a booster fan if required. In this case please consult an air-conditioning / ventilation engineer.

The discharge airflow is approx. 2,500 m³/hour. The same amount of fresh air must be introduced into the tanning room, and you should therefore provide fresh air vents in the tanning room wall providing a total opening cross section of at least 2500 cm².



9.5 Electrical Connection



Warning:

Electrical connections must be carried out by a qualified electrician in accordance with the valid DIN, VDE and UVV specifications. The persons setting up the unit must test the unit and write a report (with carbon copy) in accordance with DIN VDE 0701. The operator must keep a copy of the report and send a copy to uwe Customer Services.

The unit is delivered fitted with a 5-core mains cable for connection to three-phase current 400 V 3 N ~ 50 Hz, neutral and earth conductors. The relevant wiring diagram is supplied with every unit.

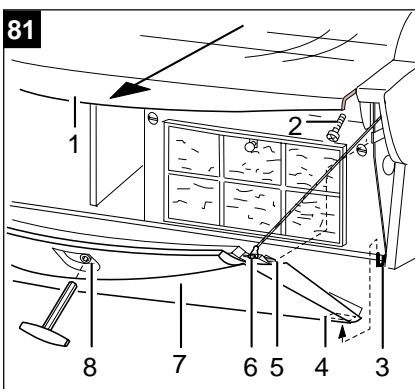
1. Install a disconnecting device in the electric installation which allows the unit to be completely separated from the mains with a contact gap of at least 3 mm at each pin.

9.6 Coin Meter or Central Desk Operation

The unit may only be connected by a qualified electrician in accordance with DIN VDE 0100.

Fitting the Coin Meter (80/1)

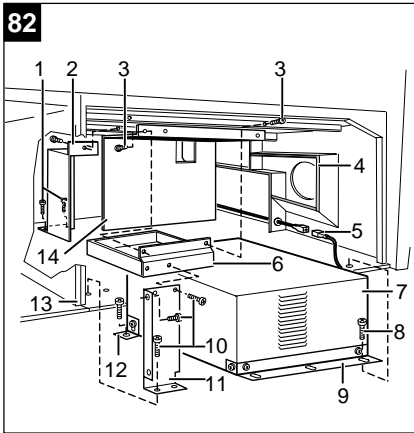
1. Open the unit.
2. Separate the cable connection between the door and housing.
3. Remove the main door and coin container.
4. Push out the holes you require in the housing for the power cable.
5. Screw the cable glands supplied into the openings.
6. Mount the unit with 3 plugged screws.



The unit must be fitted vertically to a solid, vibration-free wall.

Function

7. Pull the mains cable and control wires through the cable glands.
8. Connect the cables to the labelled connections.
You must ensure that the coin meter can be separated from the mains (contact gap 3 mm) and the unit must be earthed.



9. Connect the cable connections between the mains supply circuit and the main board and the earth.
10. Insert the coin container and the main door.
11. Close the unit.

Information on operating and setting the unit can be found in the coin meter operating instructions.

For safety reasons, ensure that the maximum tanning session with this unit is limited to 30 minutes.

9.7 Installing Air Conditioning at a Later Stage (Accessories)



If you order an air-conditioning unit at a later stage, the tanning unit must be converted.

Warning

Removing the Large Covering Panel in Front of the Base.

1. Take the socket head screwdriver.
2. Turn the hexagon socket bolt (81/8) in the center of the large covering panel.
The bolts are unscrewed from the bracket of the base casing.
3. Remove the covering panel (81/7) from the front.
4. Unhook the hooks (81/6) on both sides of the large covering panel.
5. Lift the covering panel over the retainers (81/3).

Installing the Air-Conditioning Unit

1. Unscrew the 3 screws (82/1) and remove the shielding bracket (82/2).
2. Install the cover mount (82/6).
3. To do this, hold the cover mount flush to the wall (82/13) of the base.
4. Screw the 2 screws (82/3) through the cover mount from the front into the edge of the base. Screw 2 screws (82/3) through the shielding bracket (82/14) from the back into the cover mount.
5. Check that the rubber seal (82/4) is installed on the right and around the edge. If not, this seal must be installed.
6. Push the air-conditioning unit (82/7) all the way back into the recess and to the right until it touches the rubber seal.
7. Connect the 3-pin connector of the air conditioning unit (82/5) to the connector in the base.
8. Secure the air conditioning unit using the 3 screws (82/8) through the mounting bracket (82/9) and 1 screw through the retaining bracket (82/12).
9. Mount the sealing plate (82/11) on the front using the 6 screws (82/10).



If the unit is operated without the air conditioning unit, the shielding bracket (82/2) must be reinstalled.

Function

Fitting the Large Covering Panel in Front of the Base

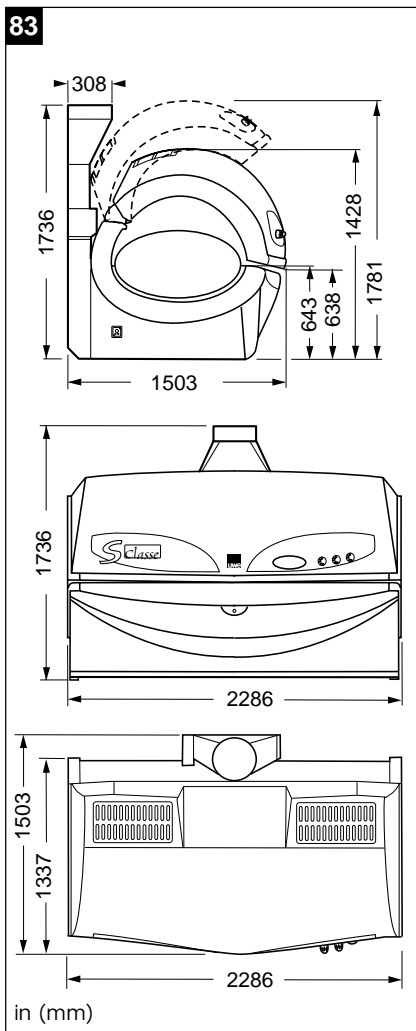
1. Insert the large covering panel (81/7) with the retainers (81/3) of the base in the recesses (81/4).
2. Hook the hooks (81/6) on both sides into the large covering panel.
3. Move the large covering panel (81/7) towards the base until it touches the base.
The bolts snap into place.

Function of Air Conditioning Unit

1. Check that the air conditioning unit is functioning correctly.

Parts list for retrofitting

Part	ID No.	Illustration No.	Item in Figure 82
Air conditioning unit	251983		7
Mounting bracket	260654	-07x015-0499	9
Cover mount	260710	-07x015-0350/003	6
Retaining bracket	260709	-07x015-0040/018	12
Front sealing plate	260653	-07x011-0385/002	11
Pan-head tapping screw DIN 7981 F 4.2 x 9.5	35573		3/8/10



10 TECHNICAL SPECIFICATIONS

10.1 Technical Specifications, Dimensions and UV-Type*

S-Class

	XTT	CTT	CPS
Unit Type	7019/200 HD XTT	7019/200 HD CTT	7019/201 ND
Power (kW) (incl. air conditioning)	16.0 kW	16.0 kW	12.4 kW
Operating voltage (V)		400 V 3N - PE 50 Hz	
Amperage (A)	3 x 32 A (K32)	3 x 32 A (K32)	3 x 25 A (K25)
Weight (kg)		approx. 800 kg	
Dimensions			
Length (mm)		2286	
Width (mm)		1503	
Height (mm)		1428	
(Canopy open)			
Recommended minimum dimension Cabin L x D (mm)		2500 x 2400	
Noise emission ≤ 70 dB(A)			
Room temperature for operation max. 35 °C			

*The installation site must have a loading capacity of at least 500 kg/m² and must be even.

*We reserve the right to make technical modifications.

	Skin type II	Skin type III	Skin type IV
Maximum number of tanning sessions per year	60 (Δ 15 kJ/m ²)	43 (Δ 15 kJ/m ²)	33 (Δ 15 kJ/m ²)

S-CLASS CPS	Lamp configuration	UV-TYPE to EN 60335-2-27
Canopy, face	36 x 25 W UPP	4
Canopy, body	12 x 140 W VHR 4 11 x 180 W VHR 2 M	4
Canopy lighting		
Canopy background lighting	2 x TLD 18 W/18 blue	
Canopy, uwe Logo	2 x 7 W	
Canopy illumination S-CLASS logo	1 x compact fluorescent lamp 36 W (Art. No. 1310566)	
Canopy illumination lights	Outer: 2 x compact fluorescent lamps 36 W (Art. No. 1310566) Inner: 2 x compact fluorescent lamp 24 W (Art. No. 1310563)	
Side tanner, face	6 x 25 W UPP	
Side tanner, body	2 x 140 W VHR 4 3 x 180 W VHR 2 M	
Bed	20 x 160 W VHR 4	4
Bed lighting (FLOOR LIGHT)	2 x TL-D 36 W/18 blue	
Shoulder Tanner	6 x 25 W UPP	

S-CLASS XTT	Lamp configuration	UV-TYPE to EN 60335-2-27
Canopy, face	1 x BQ 471 Z4 400 W 3 x 1 kW BQ 1176 Z4	2
Canopy, body	24 x 160 W VHR 4	4
Canopy background lighting	2 x TLD 18 W/18 blue	
Canopy, uwe Logo	2 x 7 W	
Canopy illumination S-CLASS logo	1 x compact fluorescent lamp 36 W (Art. No. 1310566)	
Canopy illumination lights	Outer: 2 x compact fluorescent lamp 36 W (Art. No. 1310566) Inner: 2 x compact fluorescent lamp 24 W (Art. No. 1310563)	
Side tanner, face	1 x BQ 471 Z4	
Side tanner, body	6 x 160 W VHR 4	
Bed	20 x 160 W VHR 4	4
Bed lighting (FLOOR LIGHT)	2 x TL-D 36 W/18 blue	
Shoulder Tanner	2 x BQ 471 Z 4 400 W	

S-CLASS CTT	Lamp configuration	UV-TYPE to EN 60335-2-27
Canopy, face	1 x BQ 471 Z4 400 W 3 x 1 kW BQ 1176 Z4	2
Canopy, body	24 x 160 W VHR 4	4
Canopy background lighting	2 x TLD 18 W/18 blue	
Canopy, uwe Logo	2 x 7 W	
Canopy illumination S-CLASS logo	1 x compact fluorescent lamp 36 W (Art. No. 1310566)	
Canopy illumination lights	Outer: 2 x compact fluorescent lamp 36 W (Art. No. 1310566) Inner: 2 x compact fluorescent lamp 24 W (Art. No. 1310563)	
Side tanner, face	1 x BQ 471 Z4	
Side tanner, body	6 x 160 W VHR 4	
Bed	20 x 160 W VHR 4	4
Bed lighting (FLOOR LIGHT)	2 x TL-D 36 W/18 blue	
Shoulder Tanner	2 x BQ 471 Z 4 400 W	

! Turn off the power to the unit before changing lamps.

RELAMPING INSTRUCTIONS REPLACEMENT LAMP TYPES

**CAUTION: REPLACE ONLY WITH ORIGINAL LAMPS OR FDA
APPROVED
EQUIVALENT**

10.2 Lamp Cover (Filter Discs)

The sources of UV light are covered by a panel of 2.5 mm thick acrylic glass at the top and below by two panels of acrylic glass, one 4 mm thick (corrugated) and one 5 mm thick. The acrylic glass panels are frosted on the lamp side (LIGHTGLASS) except for the corrugated acrylic panel in the bed and the GB area of the XTT and CTT units.

The high-pressure lamps of the S-Class XTT unit are covered by the following filter discs:

Canopy filter discs: high-pressure lamp next to the front canopy bracket: one filter disk 324 Interferenz, on the side nearest the user (product code 02936)

High-pressure lamps (remaining 3): one filter disc 324 Interferenz, on the side nearest the user (product code 02936) and one transparent filter disc 316, on the side nearest the lamp (product code 02932).

Side tanner filter discs: one filter disk 326 Interferenz, on the side nearest the user (product code 02937)

Shoulder tanner filter discs: one filter disk 326 Interferenz, on the side nearest the user (product code 02937)

The high-pressure lamps of the S-Class CTT unit are covered by the following filter discs:

Canopy and side tanner filter discs: one 3.1mm thick blue filter disc MUG 6 plus (product code 22010), on the side nearest the user and one 3.75 mm thick transparent filter disc model 324 (product code 02936), on the side nearest the lamp.

Shoulder tanner filter disc: one filter disk 326 Interferenz, on the side nearest the user (product code 02937)

In additional all face tanners are covered by a polished disc made of 2.5 mm thick acrylic glass.

A reflector made of mirror-finish rolled, electrolytically polished and anodized aluminium is fitted between the lamps and the canopy or bed support.

11 CUSTOMER SERVICE ADDRESS

PC MARKETING
1040 WILT AVENUE
RIDGEFIELD, NJ 07657

1-800-FAST TAN

PC MARKETING
1040 WILT AVENUE
RIDGEFIELD, NJ 07657

1-800-FAST TAN



MARKETING

ID.-NR. 263.585 / 01/2002